



US00D465141S

(12) **United States Design Patent**
Morgan

(10) **Patent No.:** **US D465,141 S**

(45) **Date of Patent:** **** Nov. 5, 2002**

(54) **PNEUMATIC TOOL**

D385,765 S * 11/1997 Sung D8/62
D386,377 S * 11/1997 Sung D8/62

(75) **Inventor:** **Fred M. Morgan**, Jackson, TN (US)

* cited by examiner

(73) **Assignee:** **DeVilbiss Air Power Company**,
Jackson, TN (US)

Primary Examiner—Doris V. Coles

Assistant Examiner—Elizabeth A. Albert

(**) **Term:** **14 Years**

(74) *Attorney, Agent, or Firm*—Suiter & Associates PC

(21) **Appl. No.:** **29/151,467**

(57) **CLAIM**

(22) **Filed:** **Nov. 8, 2001**

We claim the ornamental design for a pneumatic tool, as shown.

(51) **LOC (7) Cl.** **08-01**

DESCRIPTION

(52) **U.S. Cl.** **D8/62**

FIG. 1 is a top plan view thereof;

(58) **Field of Search** D8/61, 62; 173/170;
310/50; 451/344, 353, 356, 357, 358, 359,
451, 456, 490, 355; 81/57.13

FIG. 2 is a front elevation view thereof;

FIG. 3 is a left side elevation view thereof;

FIG. 4 is a rear elevation view thereof;

FIG. 5 is a right side elevation view thereof; and,

FIG. 6 is a bottom plan view thereof.

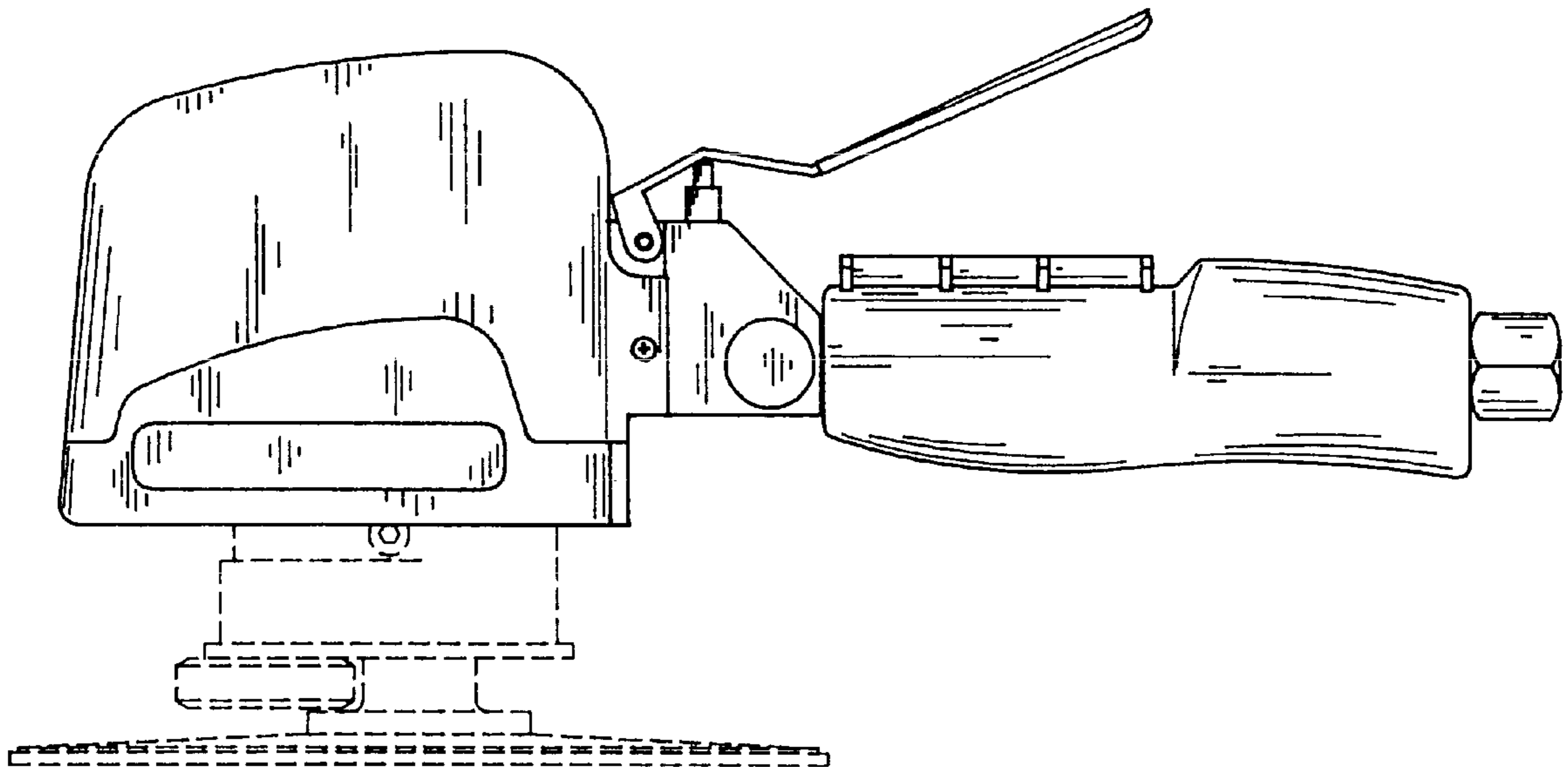
(56) **References Cited**

The broken lines showing environment in all drawing views are for illustrative purposes only and form no part of the claimed design.

U.S. PATENT DOCUMENTS

4,102,083 A * 7/1978 Stern 451/344
D324,800 S * 3/1992 Butzen et al. D8/62
D381,570 S * 7/1997 Sung D8/62

1 Claim, 2 Drawing Sheets



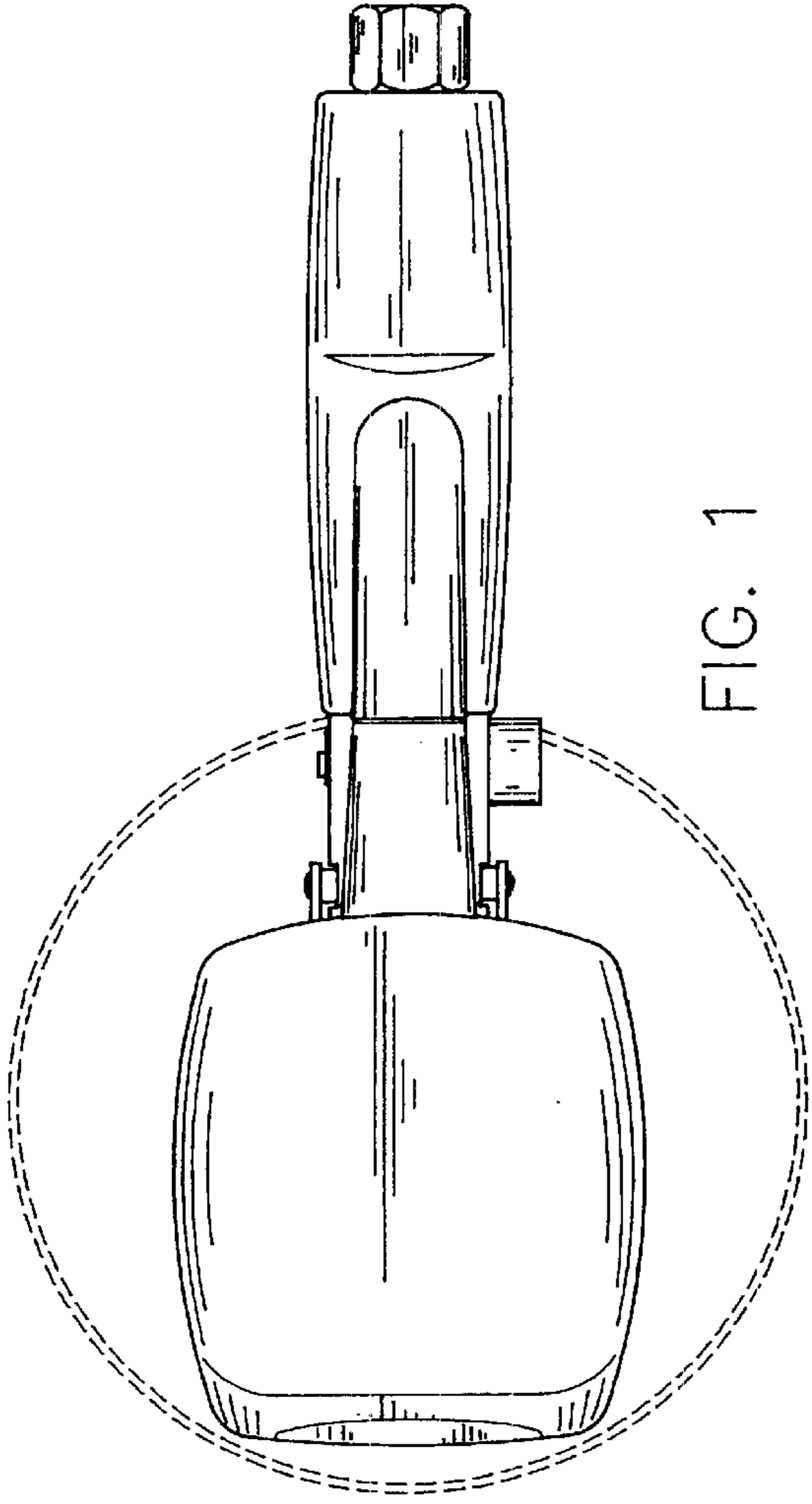


FIG. 1

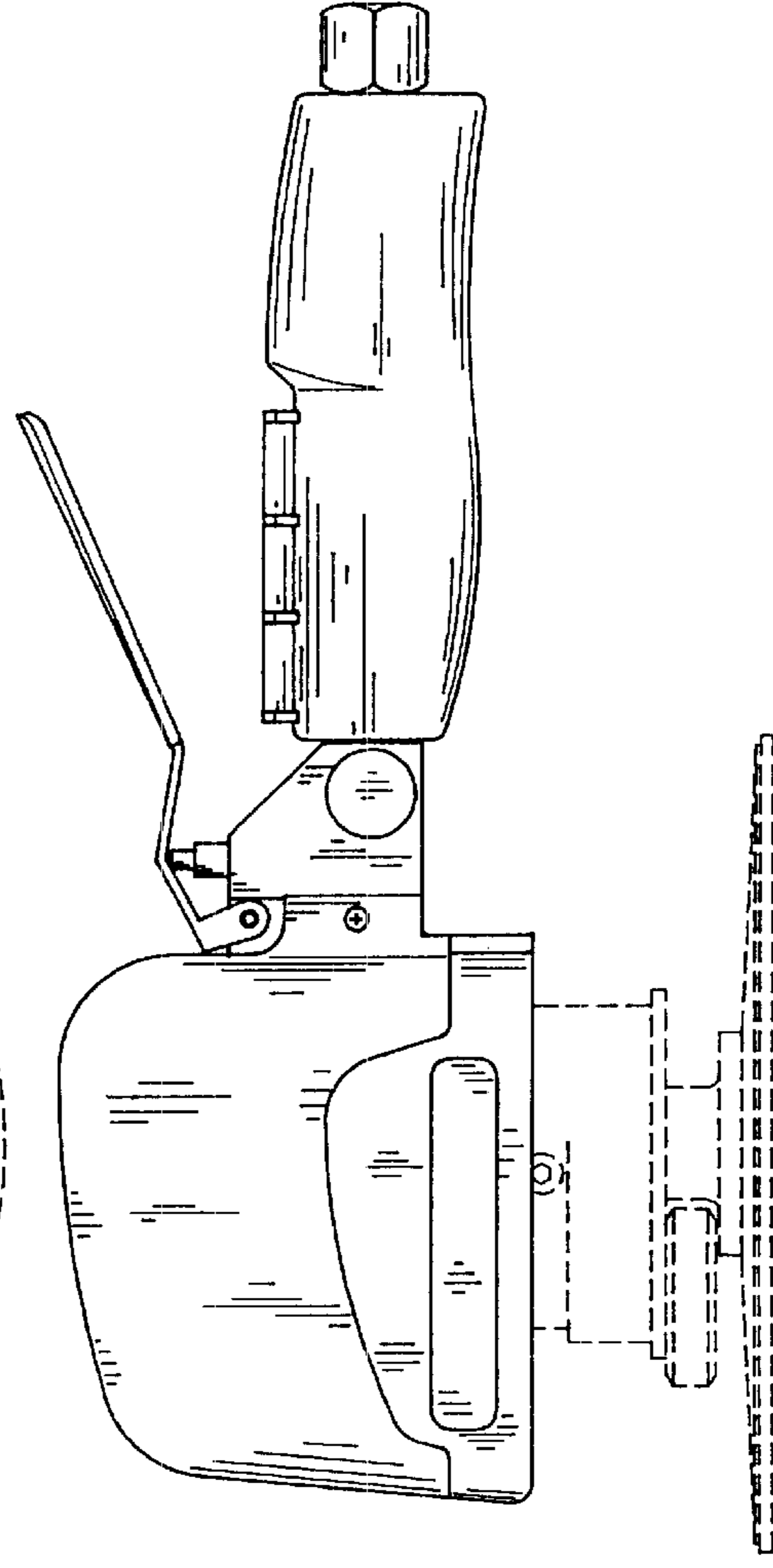


FIG. 3

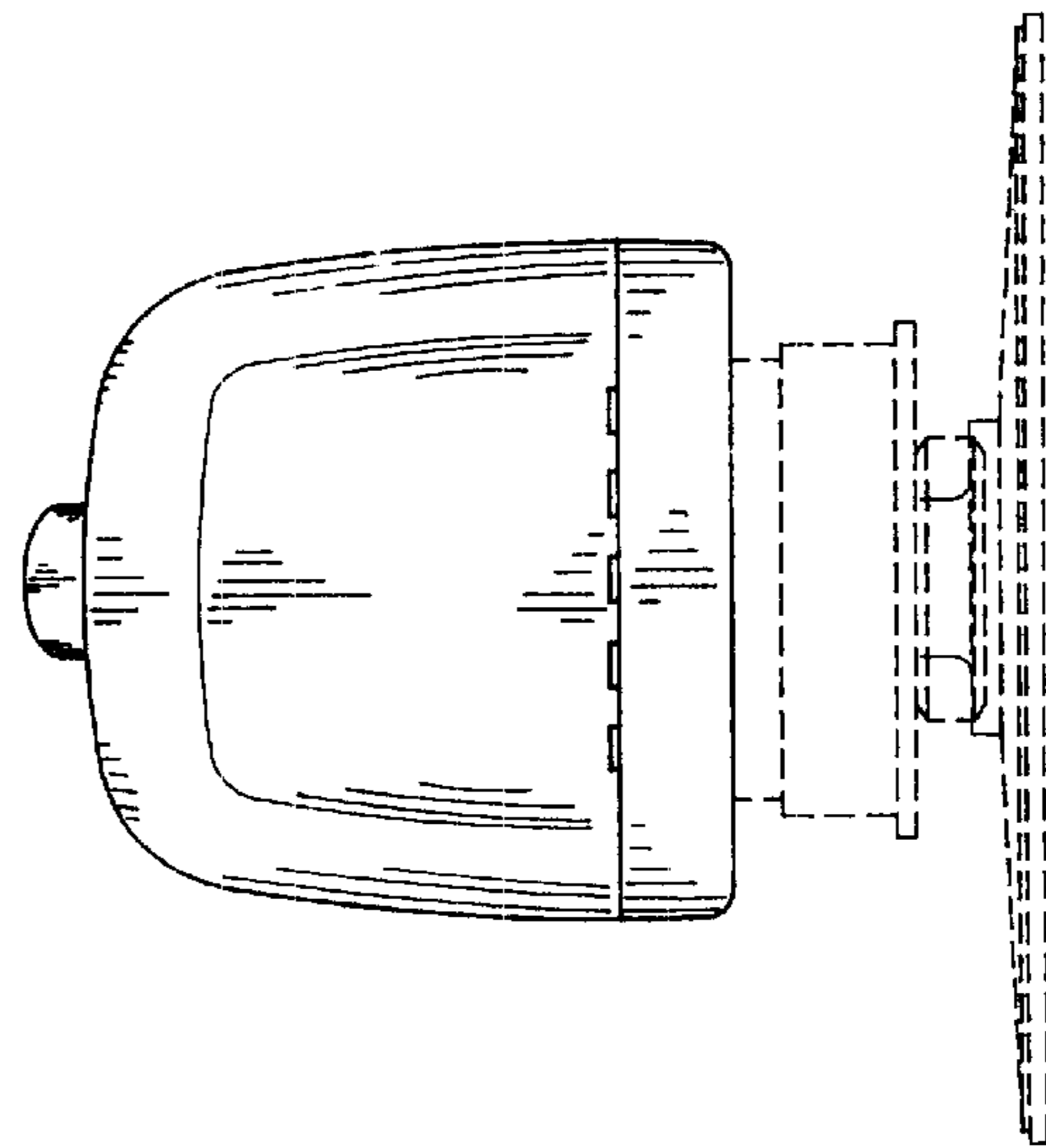


FIG. 2

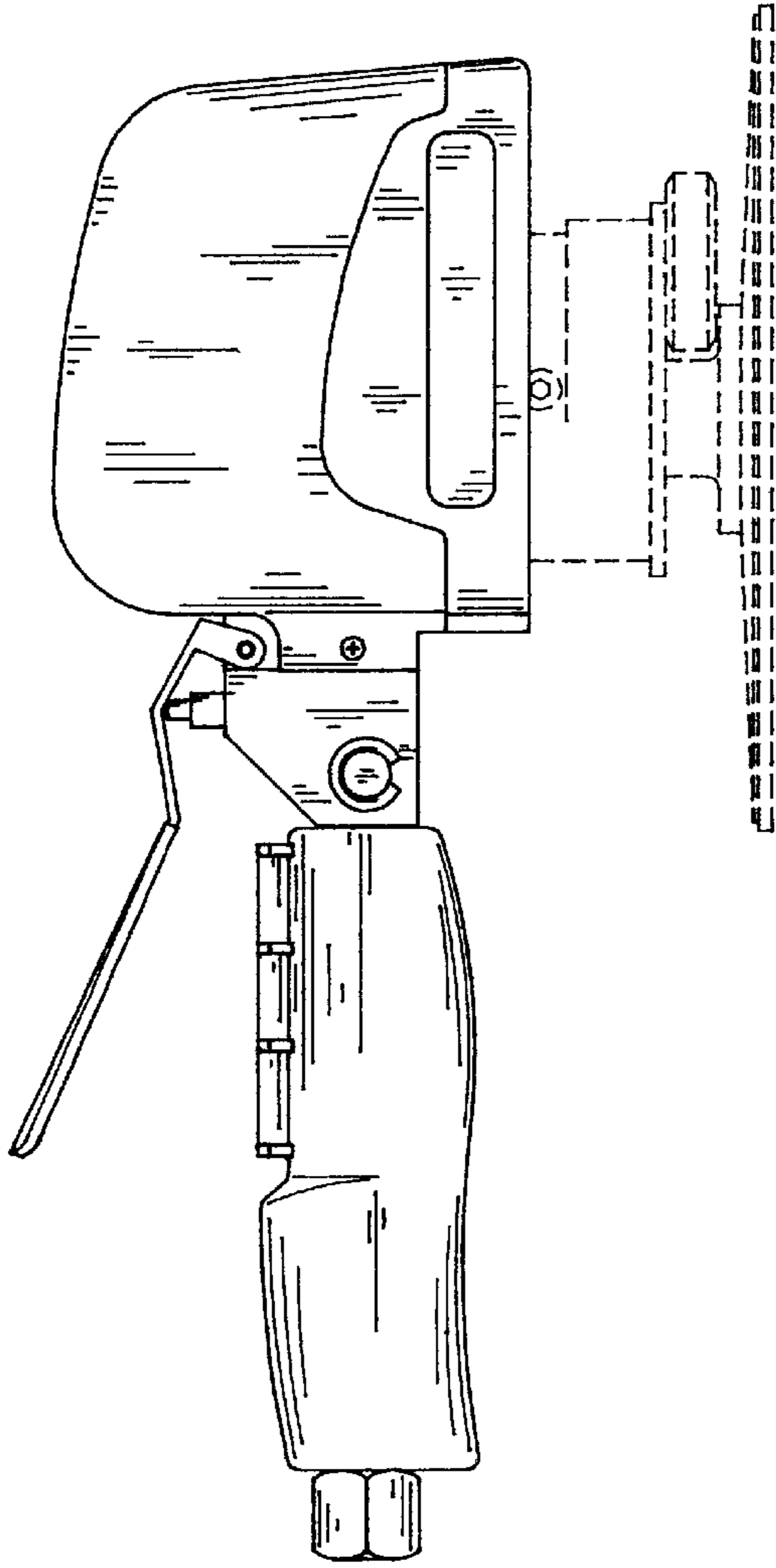


FIG. 5

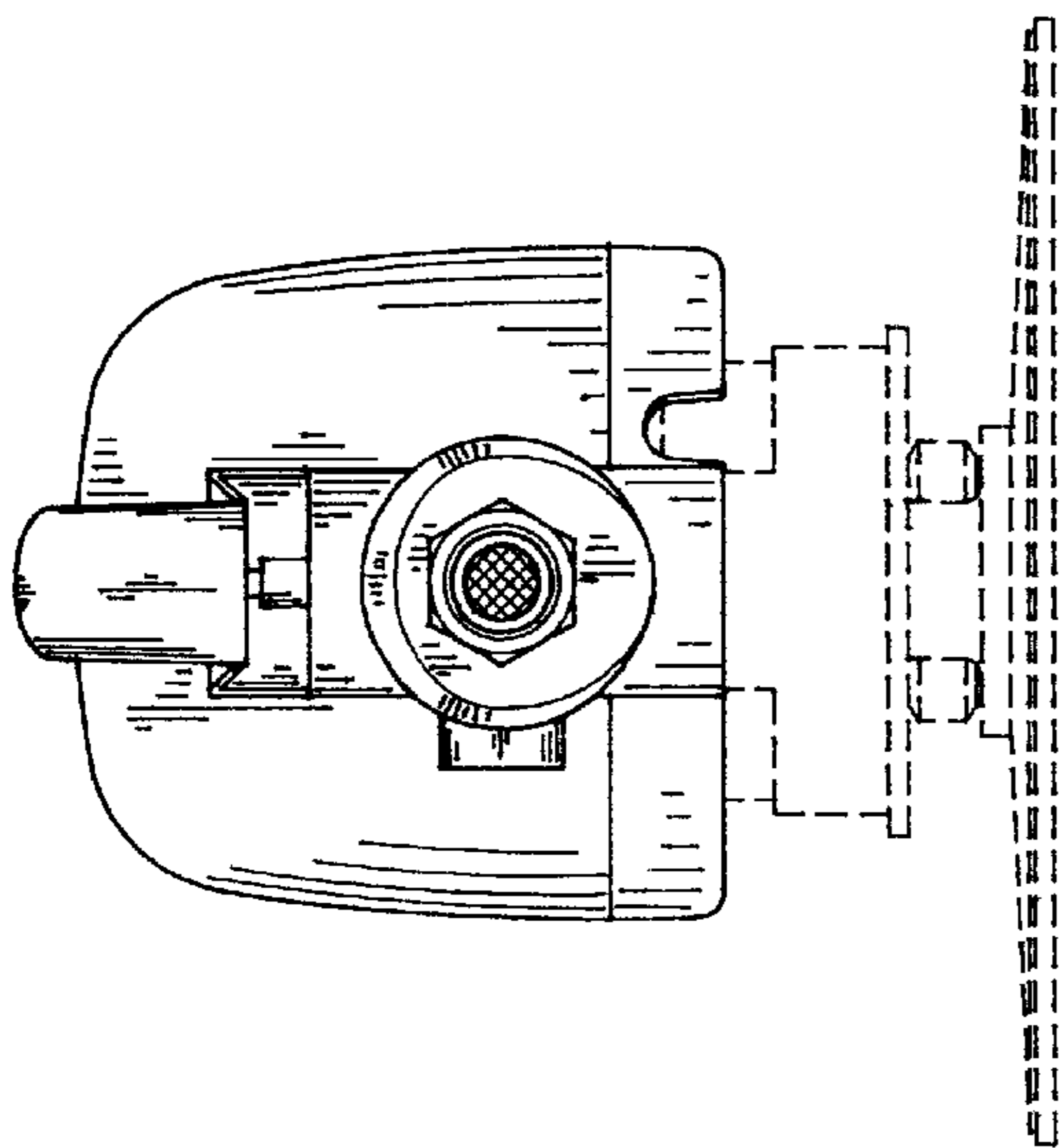


FIG. 4

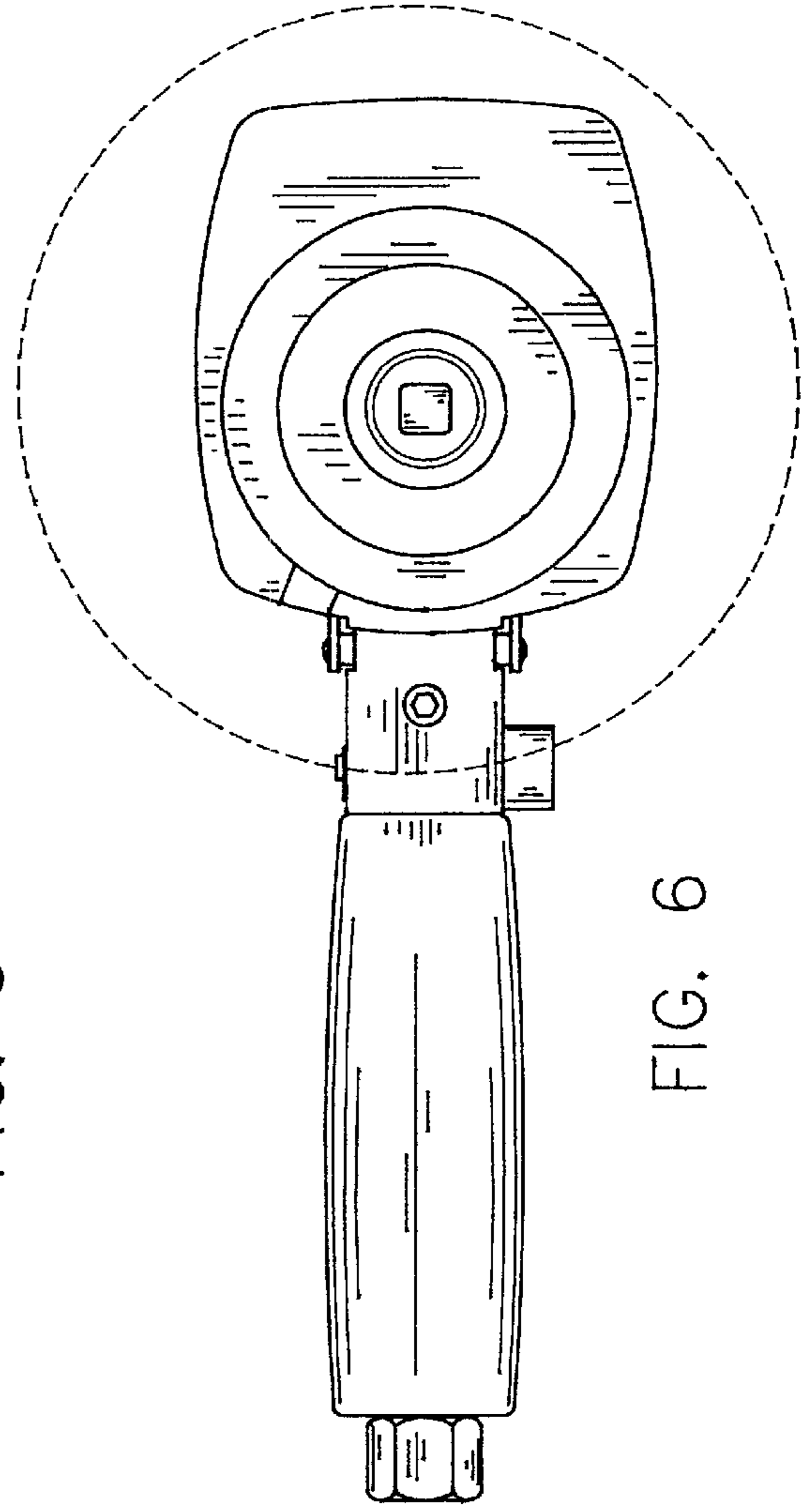


FIG. 6