



US00D465138S

(12) **United States Design Patent**
Raines

(10) **Patent No.:** **US D465,138 S**

(45) **Date of Patent:** **** Nov. 5, 2002**

(54) **RECIPROCATING SAW BLADE**

(75) **Inventor:** **Todd F. Raines, Dover, OH (US)**

(73) **Assignee:** **The M. K. Morse Company, Canton, OH (US)**

(**) **Term:** **14 Years**

(21) **Appl. No.:** **29/148,429**

(22) **Filed:** **Sep. 20, 2001**

(51) **LOC (7) Cl. 08-03**

(52) **U.S. Cl. D8/20**

(58) **Field of Search D8/16, 19, 20, D8/95, 96, 70; D24/146, 147; 30/166.3, 342, 346, 394, 502, 517; 83/835-855, 697, 746; 606/176, 177, 178**

(56) **References Cited**

U.S. PATENT DOCUMENTS

1,282,404 A	*	10/1918	Fife	30/340
1,822,828 A	*	9/1931	Stueckman	30/340
3,477,479 A	*	11/1969	Doty	D8/70
3,686,799 A	*	8/1972	Doty	D8/70
3,964,163 A	*	6/1976	Russo	30/166.3

5,119,708 A	*	6/1992	Musgrove	30/355
D352,218 S	*	11/1994	Nygards	D8/70
5,661,908 A	*	9/1997	Chen	30/517
5,855,158 A	*	1/1999	Donofrio	83/835

* cited by examiner

Primary Examiner—Stacia Cadmus

Assistant Examiner—Elizabeth A. Albert

(74) *Attorney, Agent, or Firm*—Buckingham, Doolittle & Burroughs, LLP; David P. Dureska, Esq.

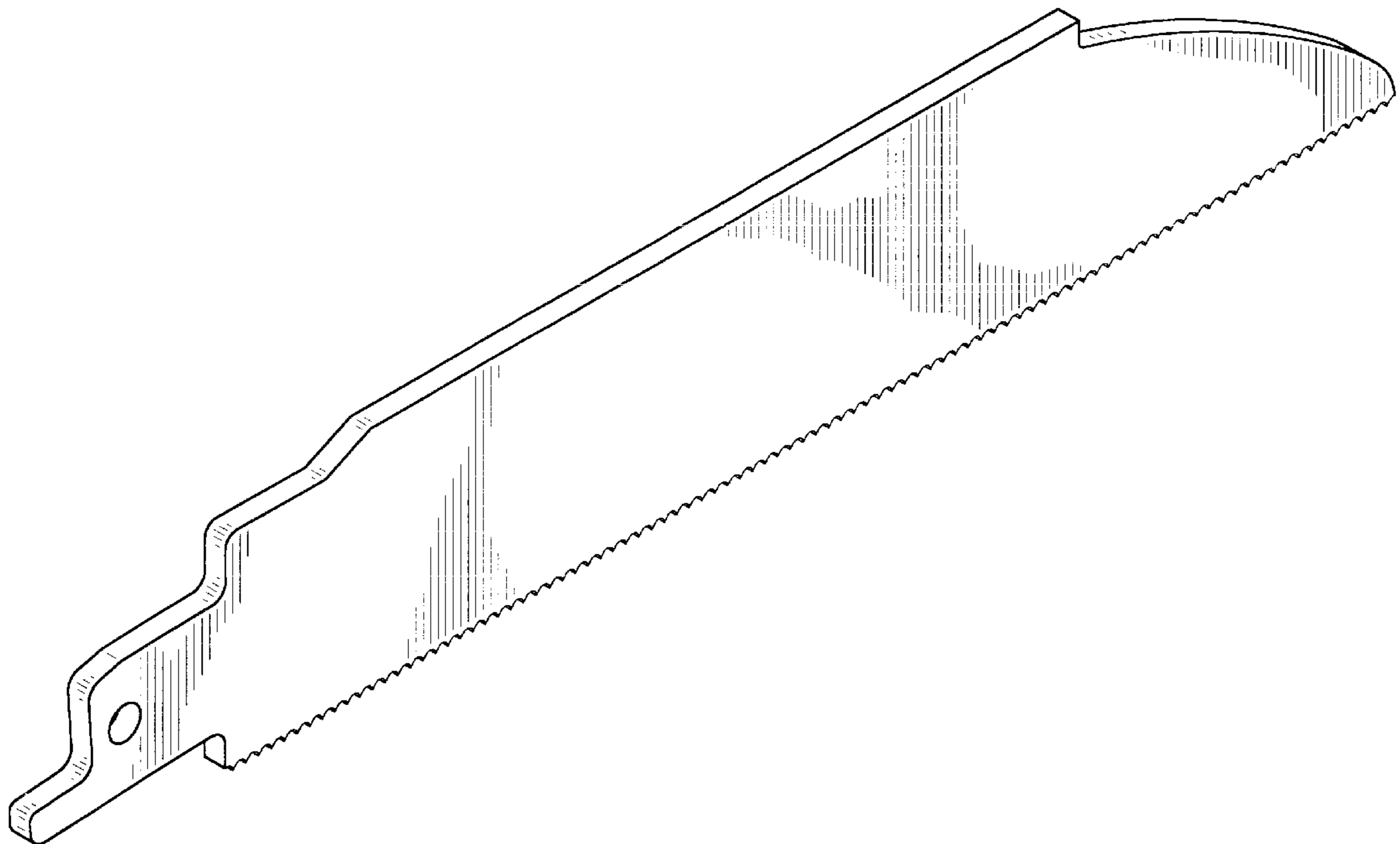
(57) **CLAIM**

The ornamental design for a reciprocating saw blade, as shown and described.

DESCRIPTION

FIG. 1 is perspective view of a reciprocating saw blade showing my new design;
FIG. 2 is a top plan view thereof;
FIG. 3 is a left side elevational view thereof;
FIG. 4 is a front end elevational view thereof;
FIG. 5 is a right side elevational view thereof;
FIG. 6 is a rear end elevational view thereof; and,
FIG. 7 is a bottom plan view thereof.

1 Claim, 3 Drawing Sheets



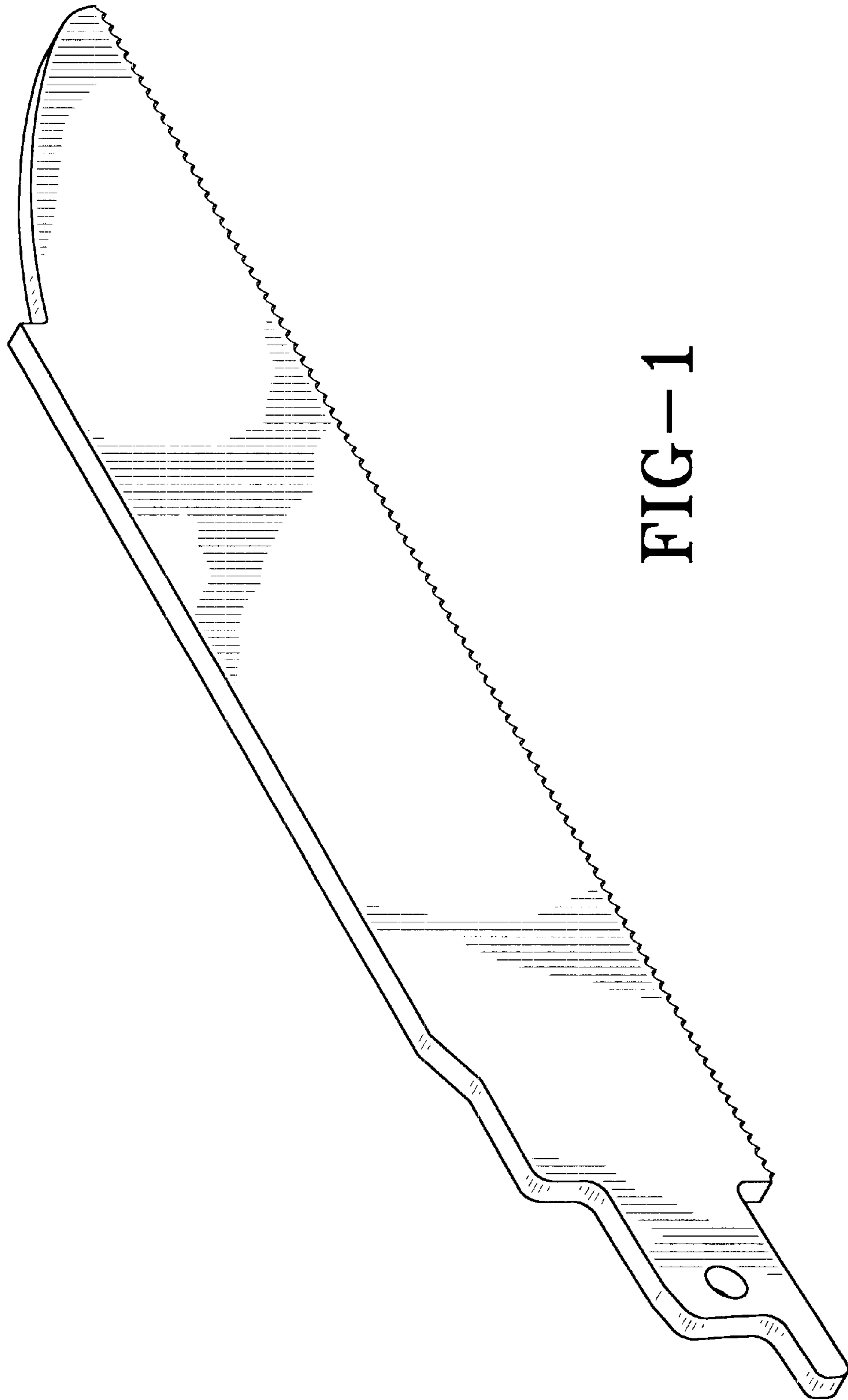


FIG-1

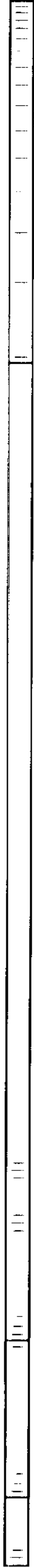


FIG-2

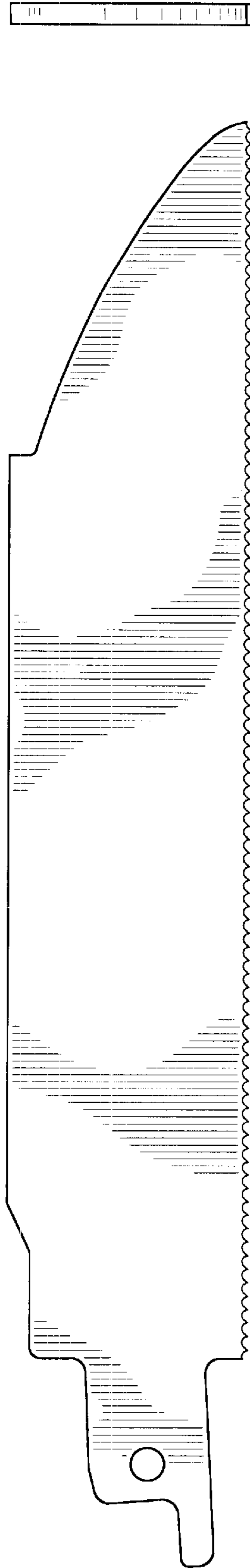


FIG-3

FIG-4

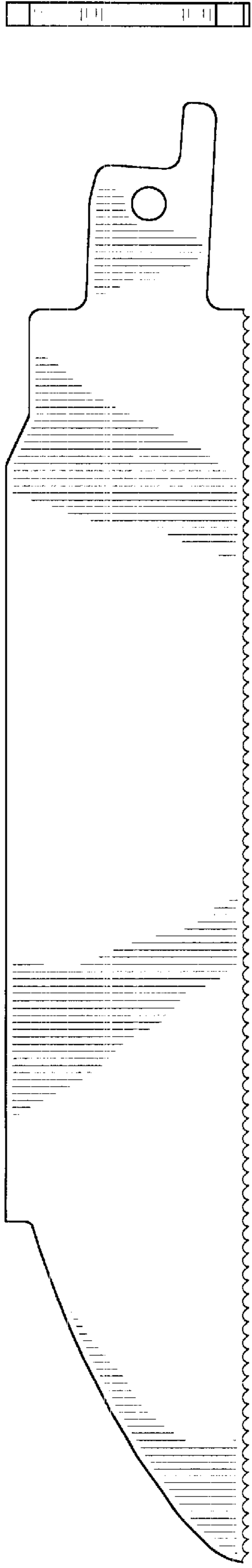


FIG-5

FIG-6



FIG-7