



US00D465135S

(12) **United States Design Patent**
Ng

(10) **Patent No.:** **US D465,135 S**

(45) **Date of Patent:** **** Nov. 5, 2002**

(54) **CONDIMENT MILL**

D397,919 S * 9/1998 Chiu D7/679

(75) **Inventor:** **Ka Yee Ng, Kwun Tong (HK)**

* cited by examiner

(73) **Assignee:** **Wing Wo Plastic Manufactory Limited, Tseun Wan (HK)**

Primary Examiner—Terry A. Wallace

(74) *Attorney, Agent, or Firm*—Leydig, Voit & Mayer Ltd.

(**) **Term:** **14 Years**

(57) **CLAIM**

(21) **Appl. No.:** **29/136,140**

The ornamental design for a condiment mill, as shown and described.

(22) **Filed:** **Jan. 26, 2001**

(30) **Foreign Application Priority Data**

DESCRIPTION

Nov. 10, 2000 (GB) 2097305

FIG. 1 is a top, front and left side perspective view of a condiment mill showing my new design;

(51) **LOC (7) Cl.** **07-06**

FIG. 2 is a front elevational view thereof;

(52) **U.S. Cl.** **D7/679**

FIG. 3 is a rear elevational view thereof;

(58) **Field of Search** D7/679, 372, 373, D7/591-597; 241/168, 169, 169.1, 262, 286; 222/142.1-142.9, 480

FIG. 4 is a left side elevational view thereof;

FIG. 5 is a right side elevational view thereof;

FIG. 6 is a top plan view thereof; and,

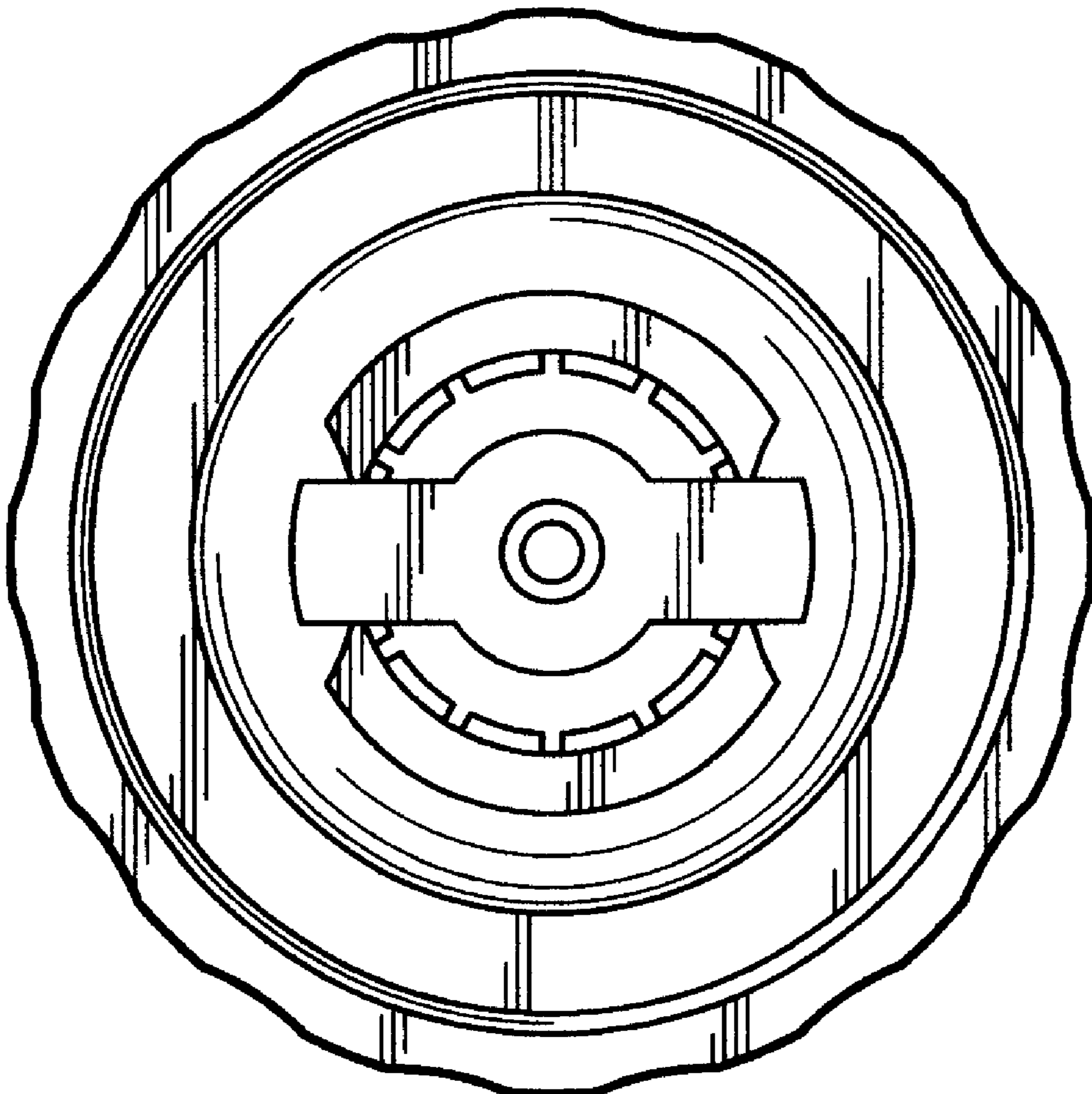
FIG. 7 is a bottom plan view thereof.

(56) **References Cited**

U.S. PATENT DOCUMENTS

D364,078 S * 11/1995 Weterrings D7/679

1 Claim, 4 Drawing Sheets



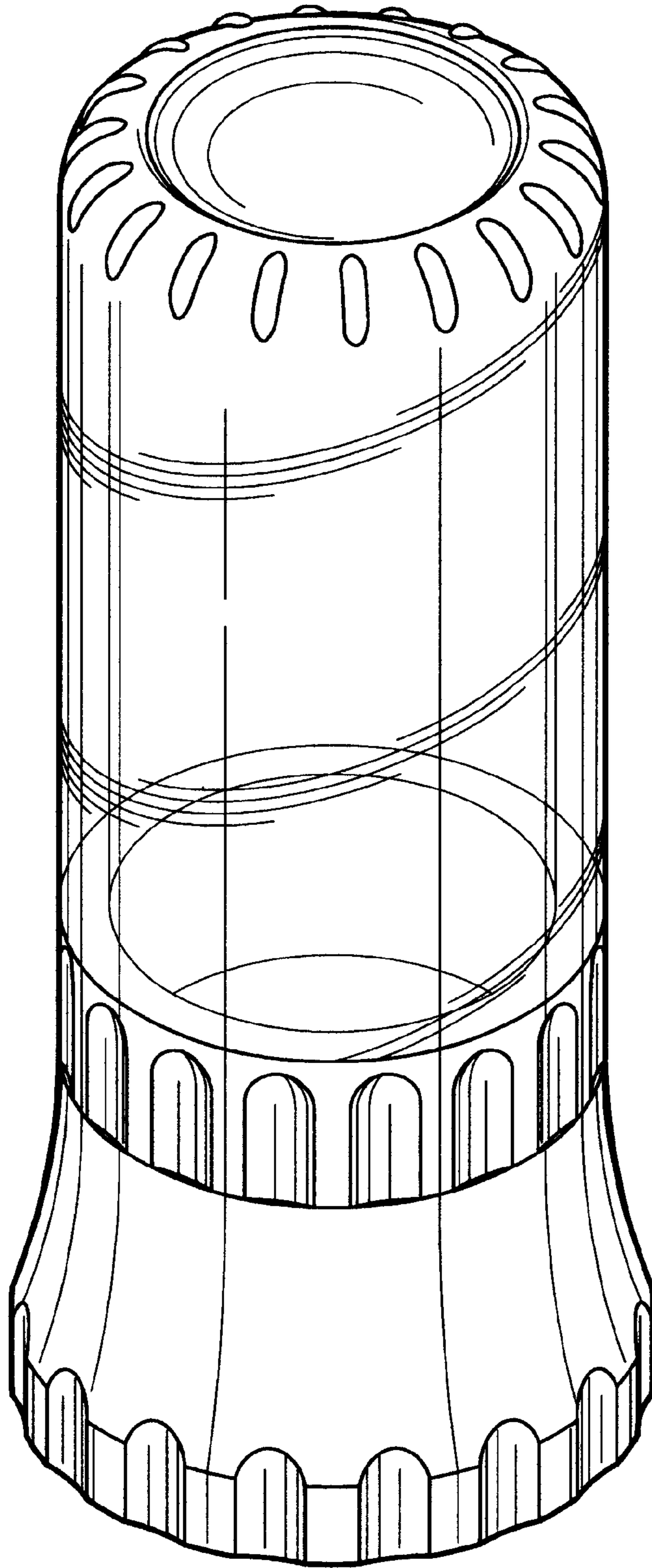


FIG. 1

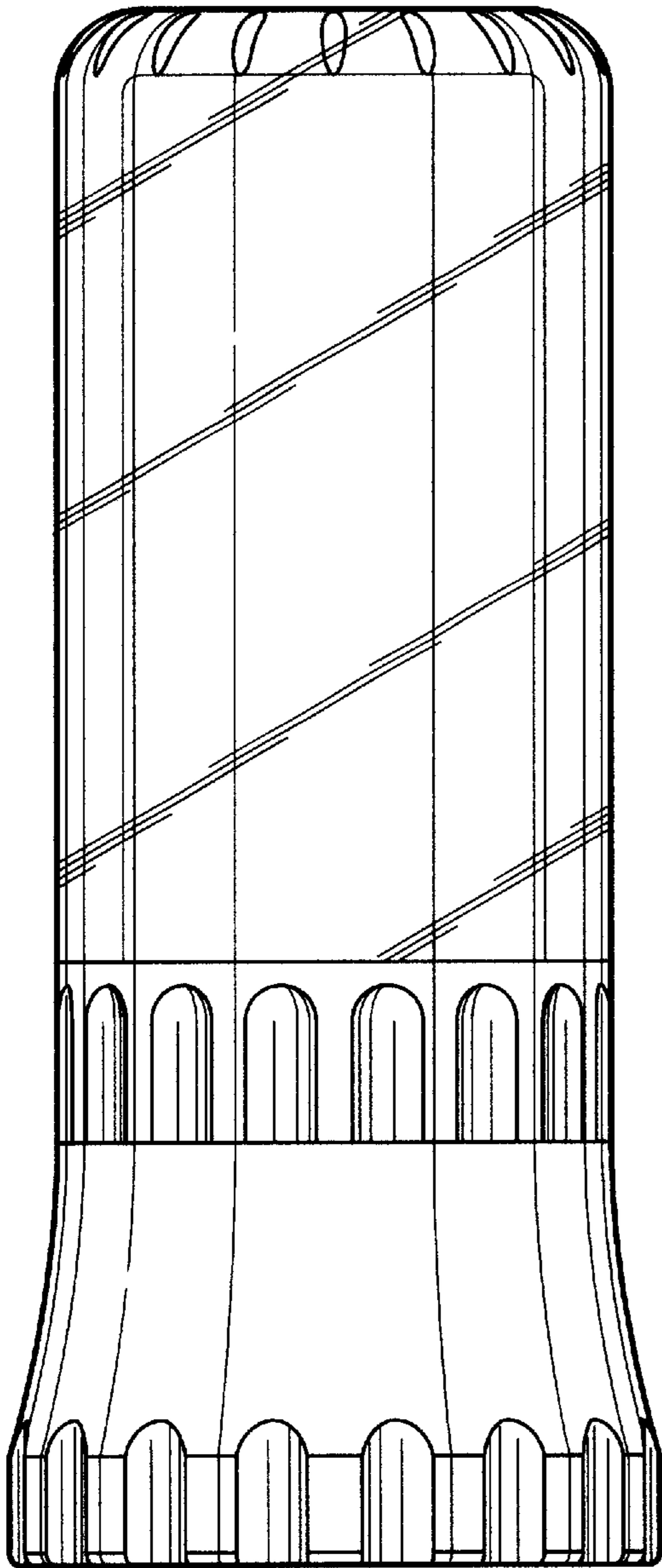


FIG. 2

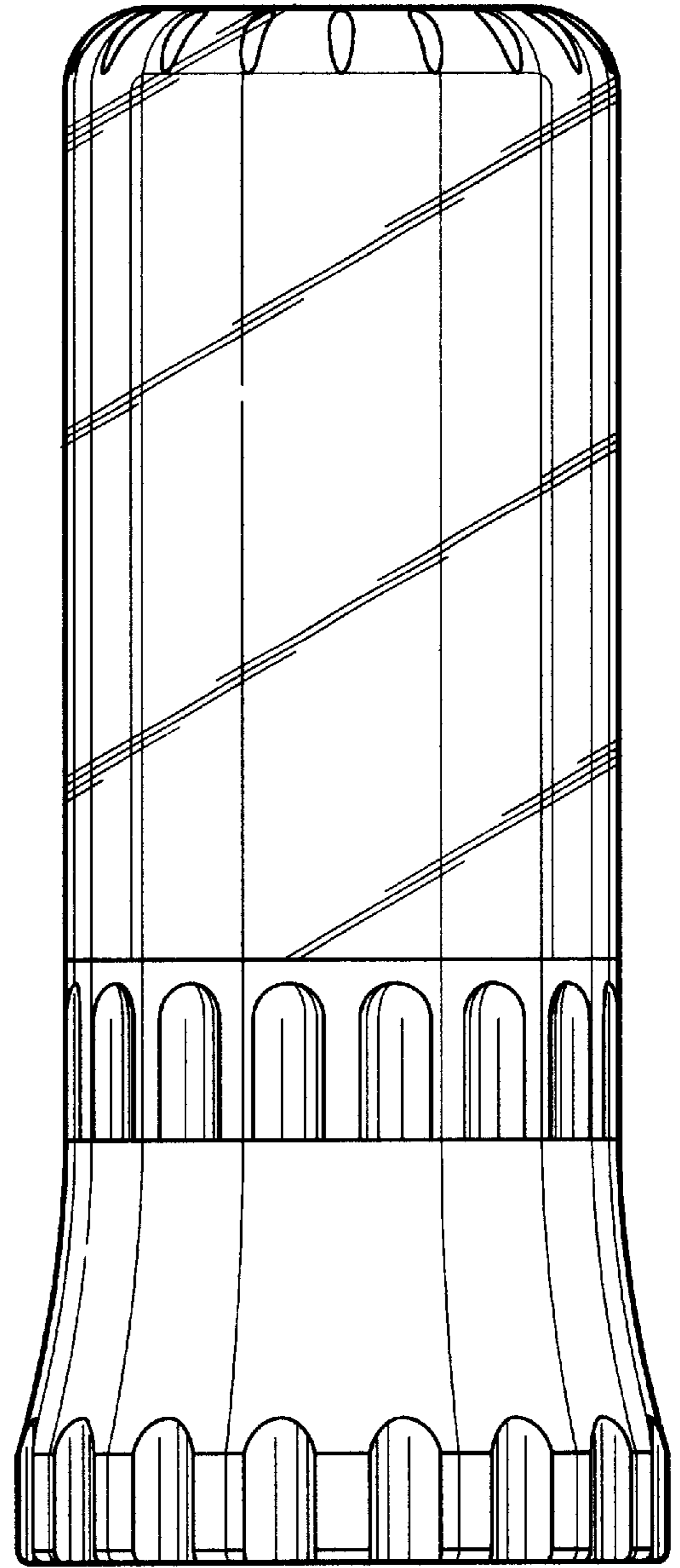


FIG. 3

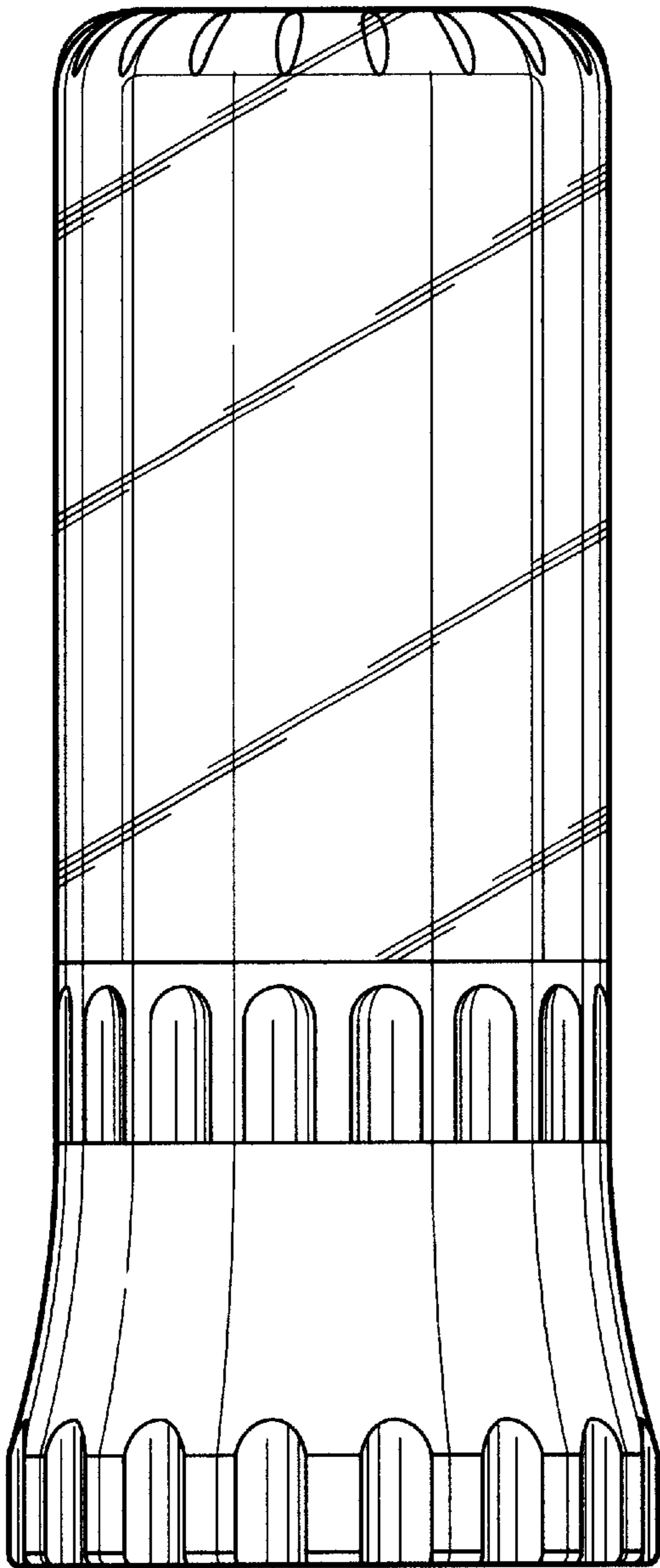


FIG. 4

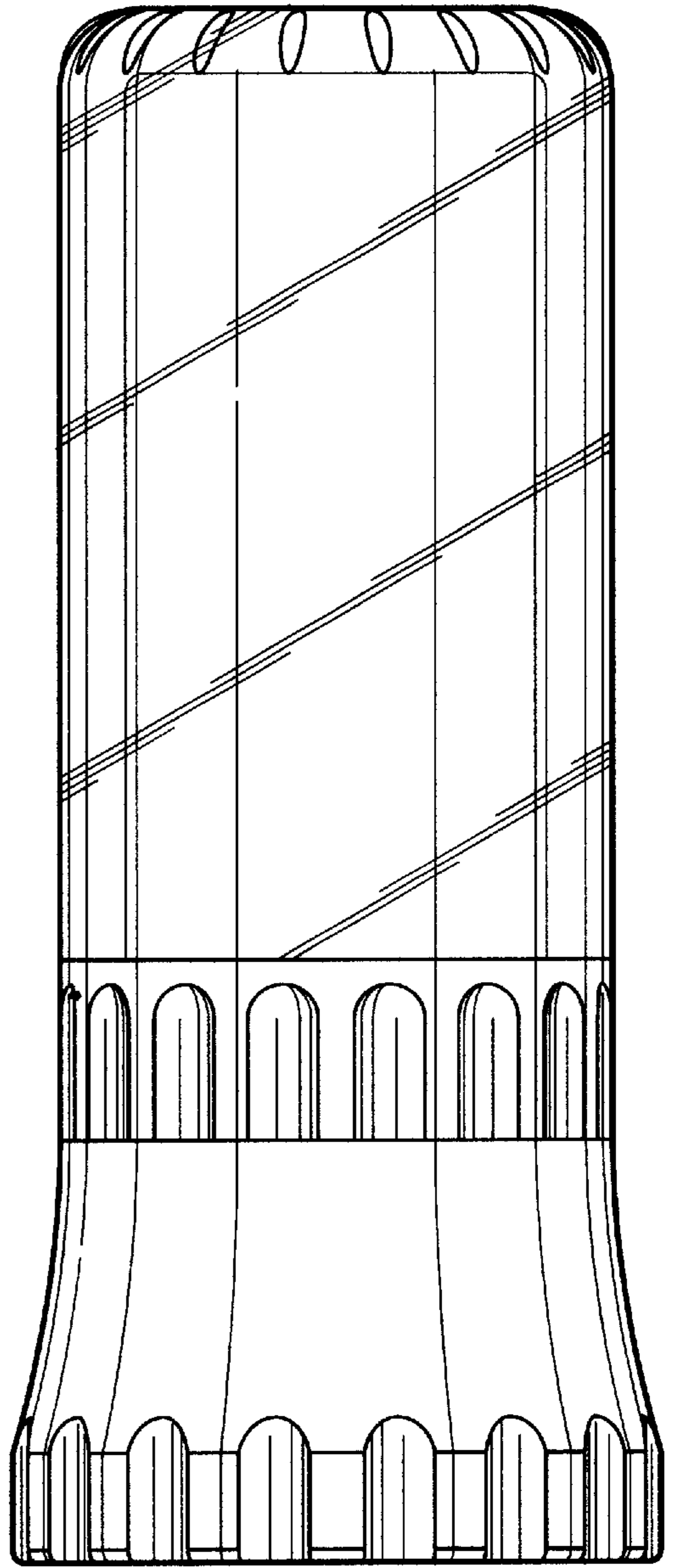


FIG. 5

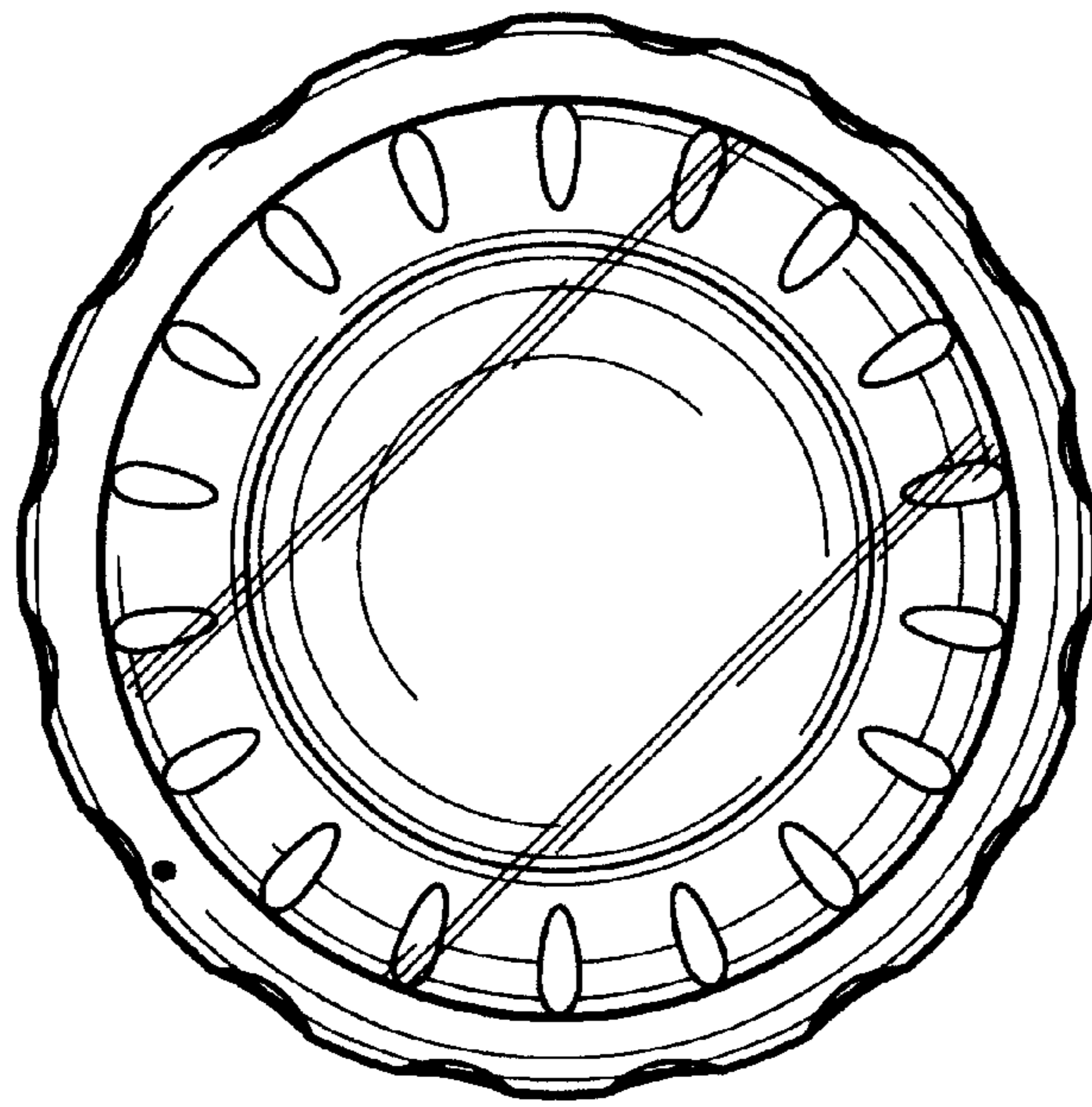


FIG. 6

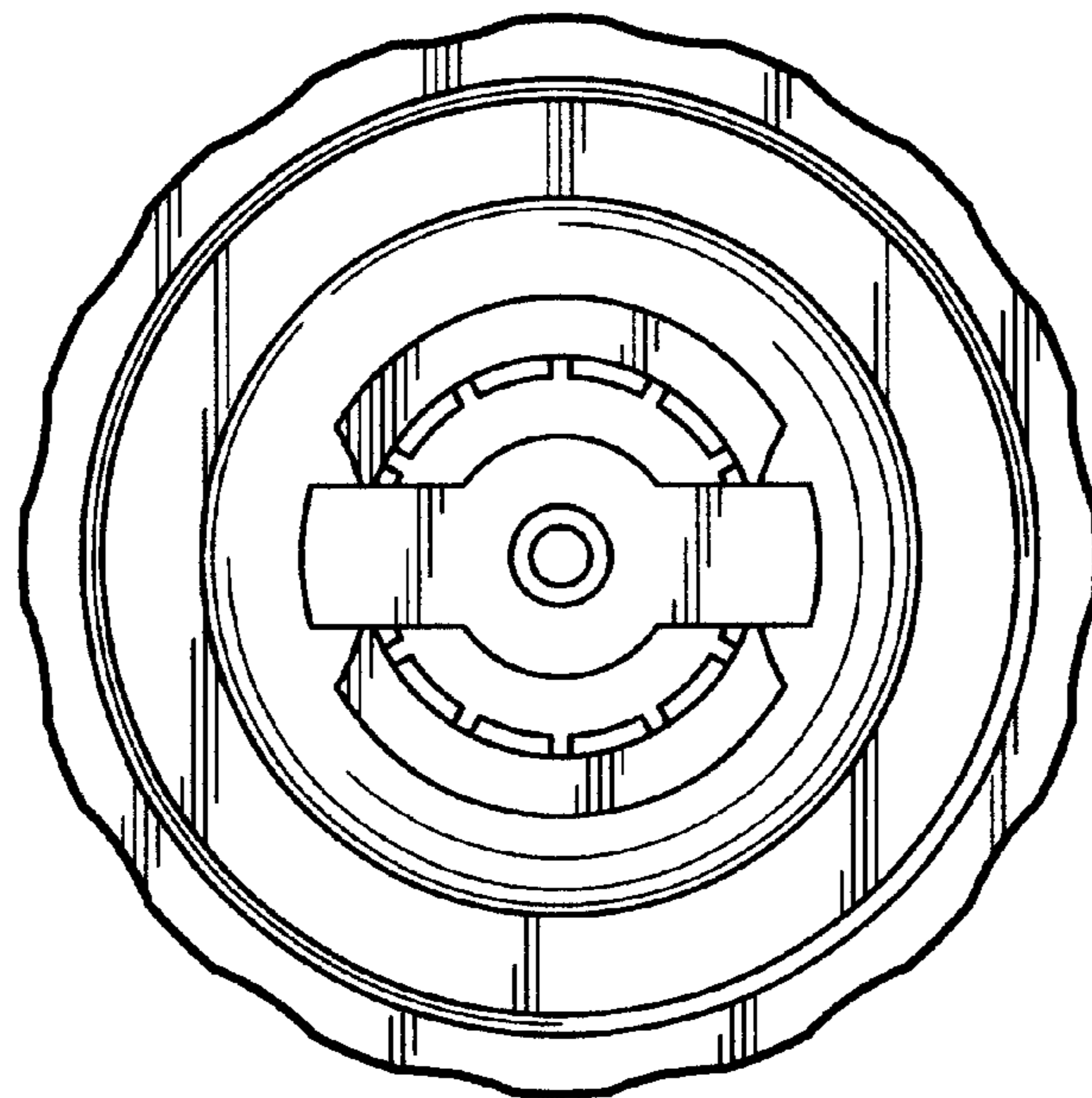


FIG. 7