



US00D465134S

(12) **United States Design Patent**
Joss

(10) **Patent No.:** **US D465,134 S**

(45) **Date of Patent:** **** Nov. 5, 2002**

(54) **SOFT-SIDED COOLER**

(75) Inventor: **Michael Joss**, Chicago, IL (US)

(73) Assignee: **Thermos L.L.C.**, Schaumburg, IL (US)

(**) Term: **14 Years**

(21) Appl. No.: **29/151,763**

(22) Filed: **Oct. 30, 2001**

(51) **LOC (7) Cl.** **07-01**

(52) **U.S. Cl.** **D7/607; D3/287; D3/289**

(58) **Field of Search** **D7/605-608; D3/273, D3/276, 283-287, 289; 190/110; 62/457.1-457.7, 371, 372; 220/592.2, 592.24, 592.25, 915.1, 915.2; 383/97, 110, 113**

(56) **References Cited**

U.S. PATENT DOCUMENTS

4,537,313	A	*	8/1985	Workman	62/457.1	X
4,620,579	A	*	11/1986	Lowe et al.	190/110	
4,805,776	A	*	2/1989	Namgyal et al.	383/110	X
D340,840	S	*	11/1993	Melk	D7/607	
D371,052	S	*	6/1996	Melk	D7/607	
D412,787	S	*	8/1999	Young	D3/283	

* cited by examiner

Primary Examiner—Terry A. Wallace

(74) *Attorney, Agent, or Firm*—Wood, Phillips, Katz, Clark & Mortimer

(57) **CLAIM**

The ornamental design of a soft-sided cooler, as shown and described.

DESCRIPTION

FIG. 1 is a perspective view of my soft-sided cooler Design taken from the upper right front thereof;

FIG. 2 is a perspective view of the design taken from the lower left rear thereof;

FIG. 3 is a front elevation of the design;

FIG. 4 is a side elevation of the design taken from the right side thereof;

FIG. 5 is a side elevation of the design taken from the left side thereof;

FIG. 6 is an elevation of the design taken from the rear side thereof;

FIG. 7 is a plan view of the design taken from the top thereof; and,

FIG. 8 is a plan view of the design taken from the bottom thereof.

1 Claim, 5 Drawing Sheets

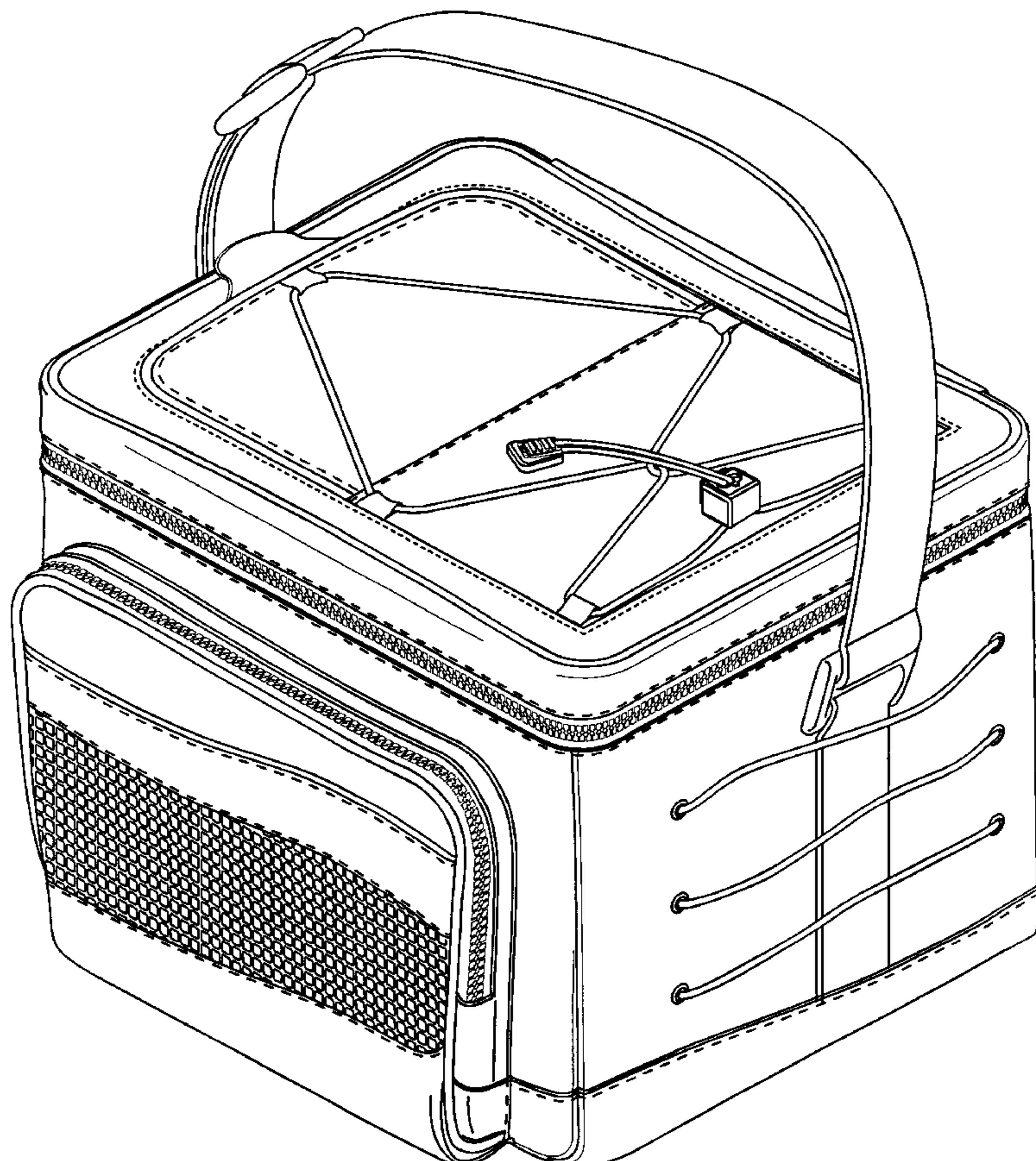


Fig. 1

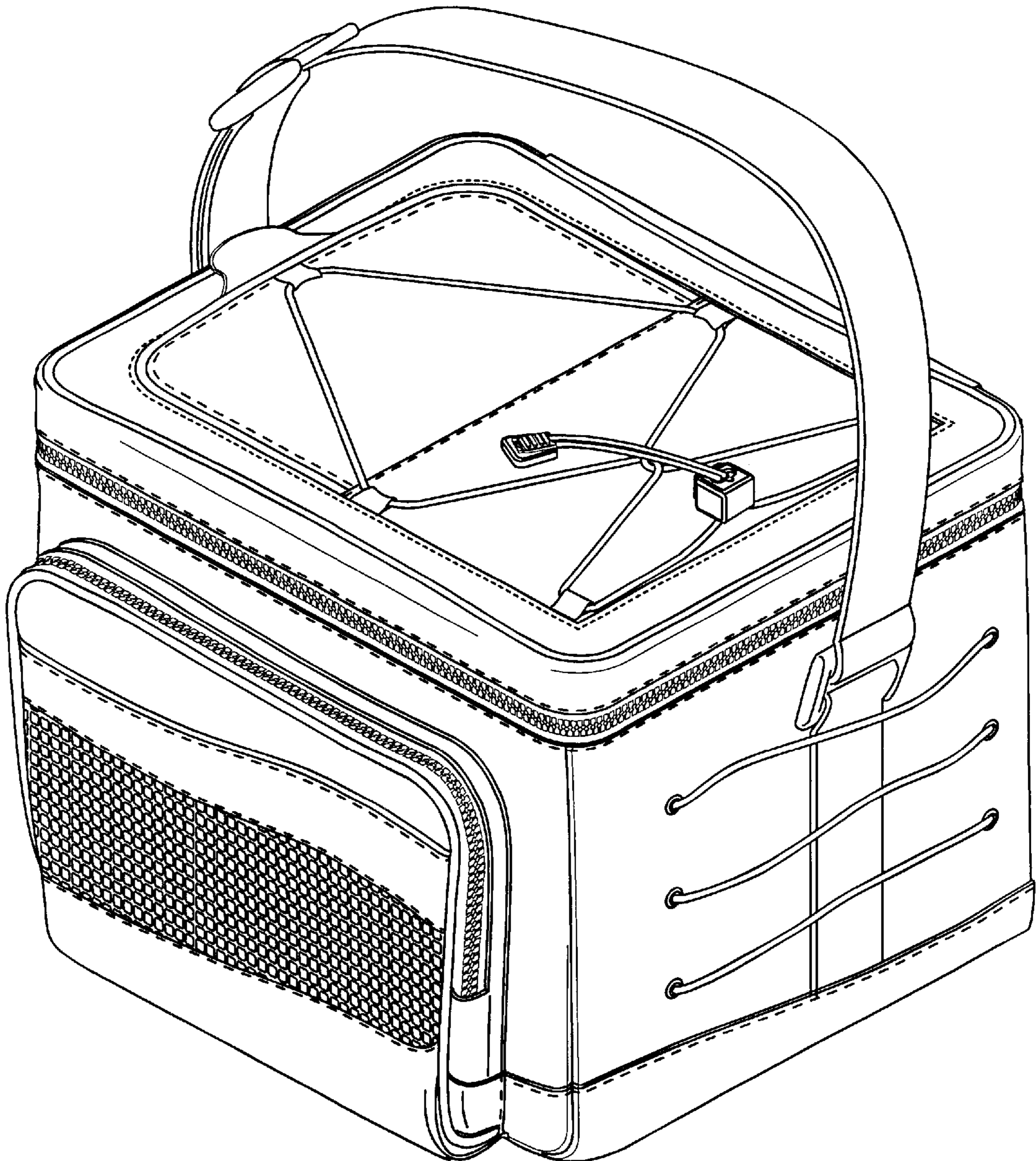


Fig. 2

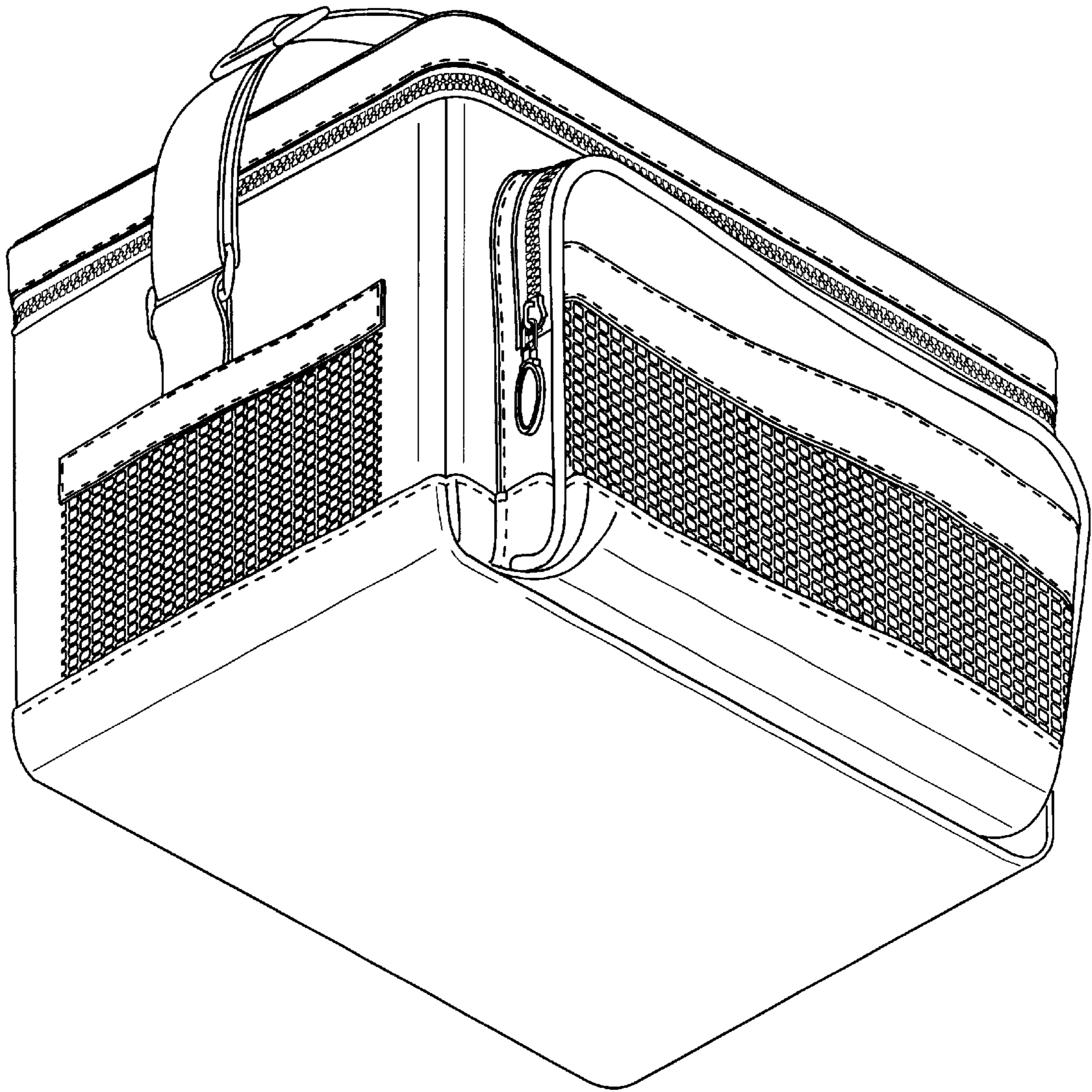


Fig. 3

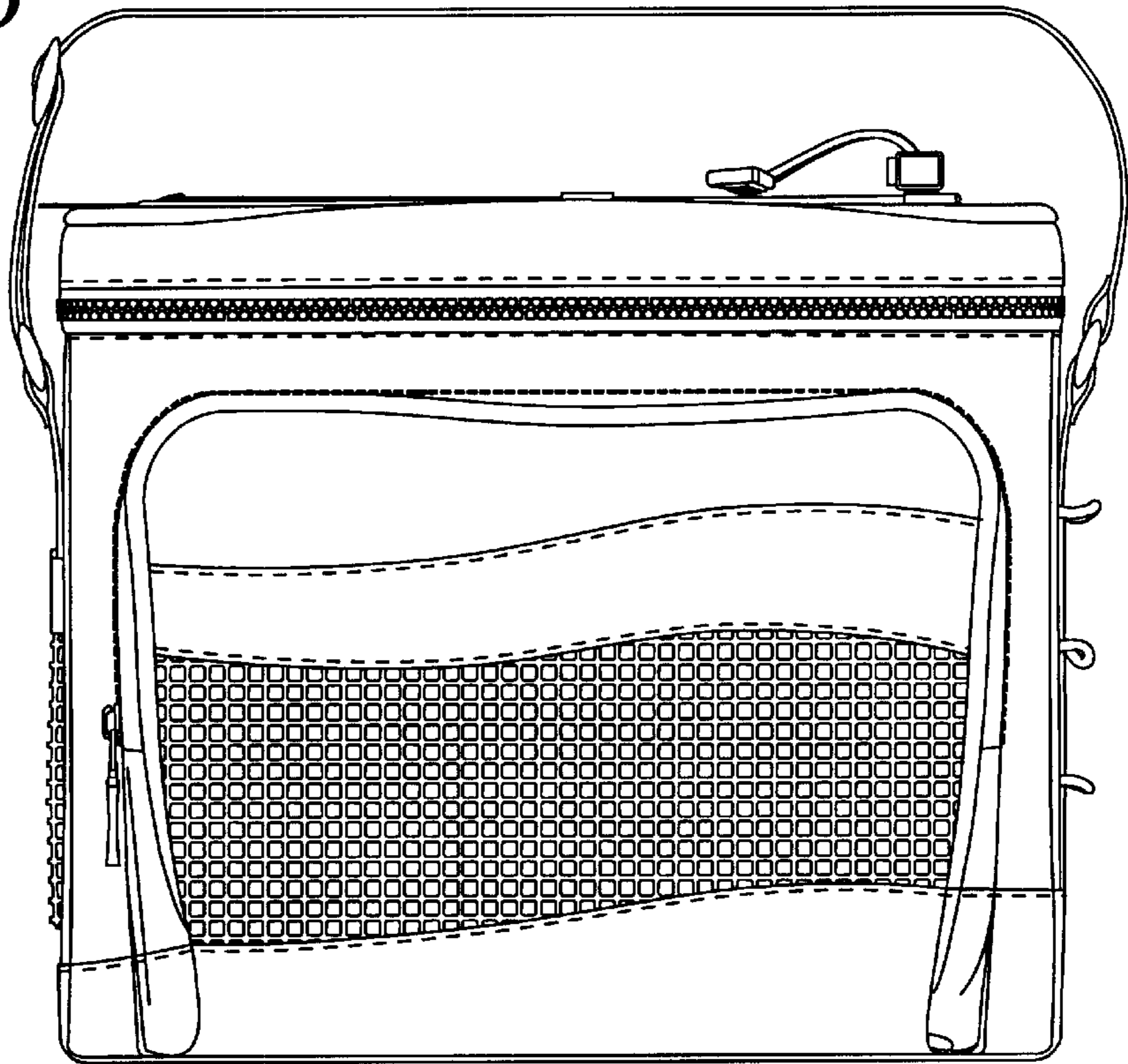


Fig. 4

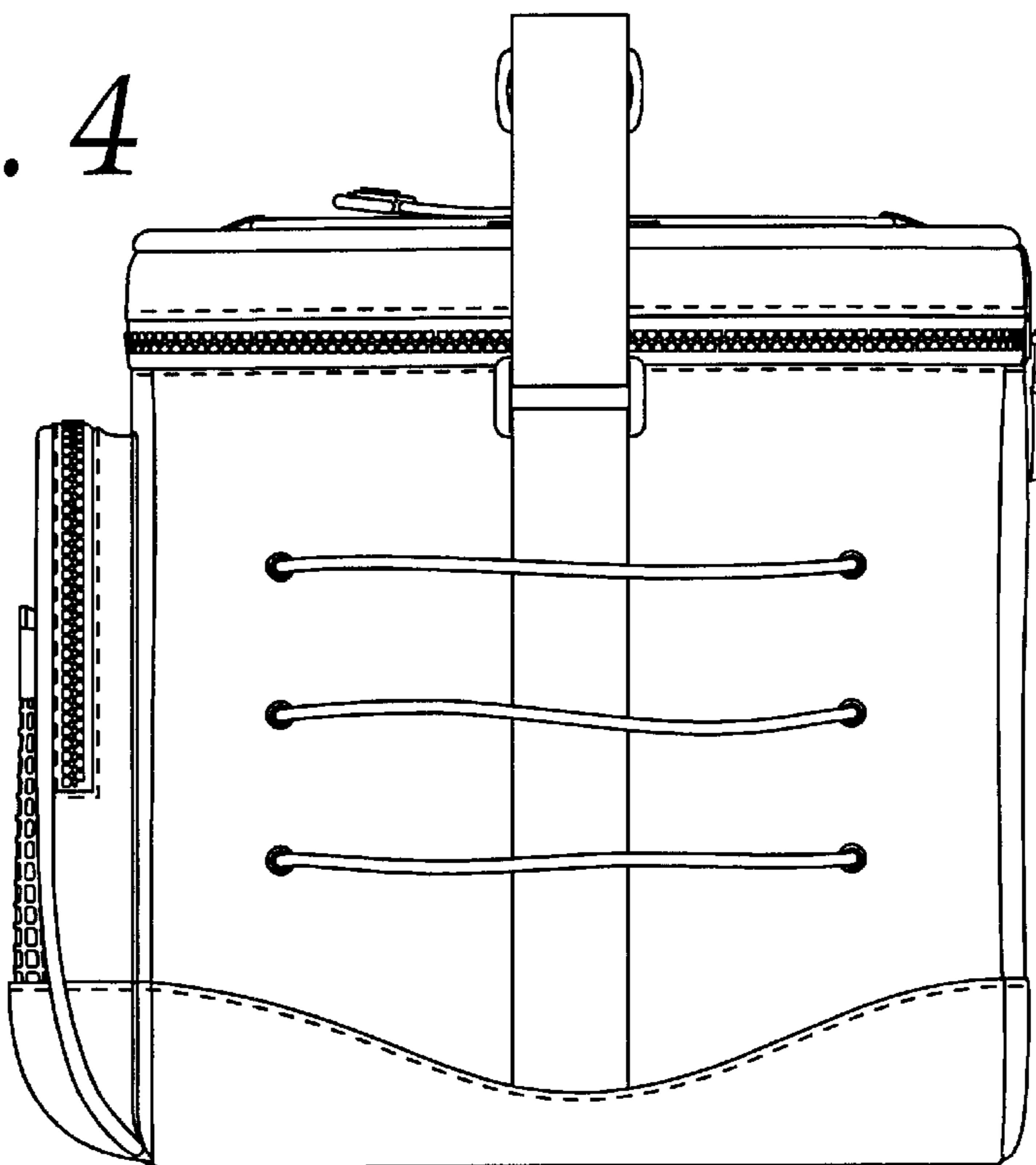


Fig. 5

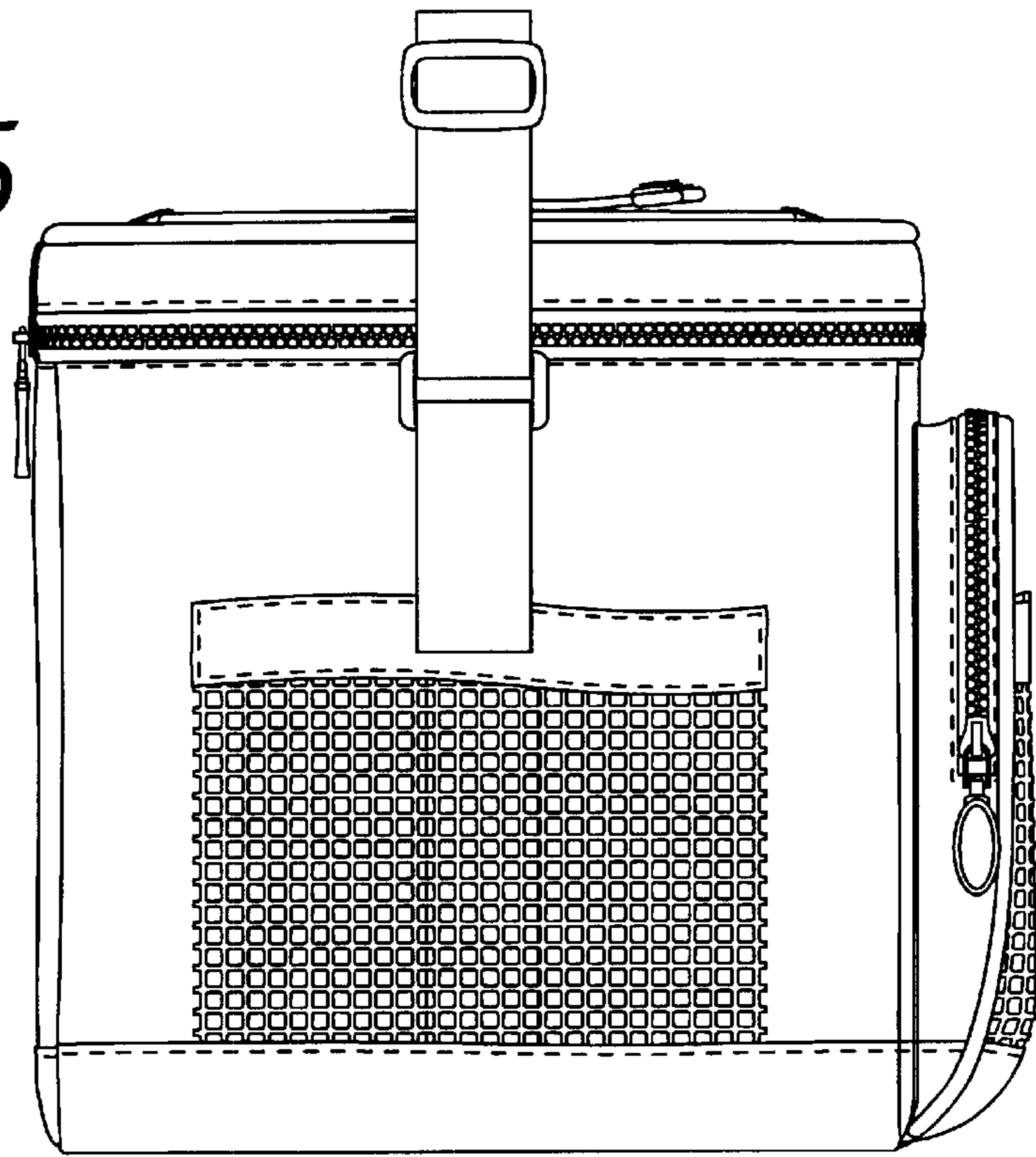


Fig. 6

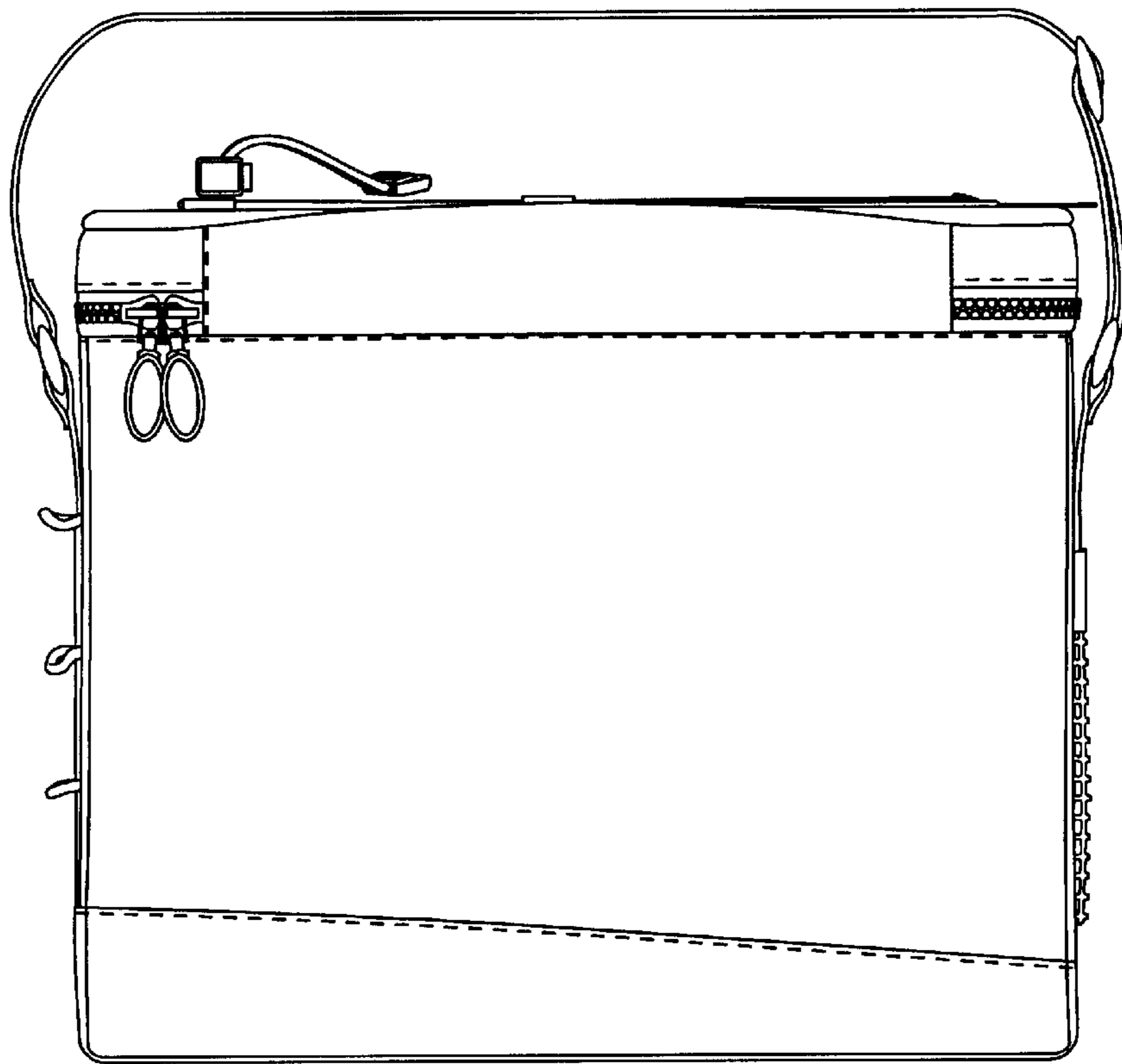


Fig. 7

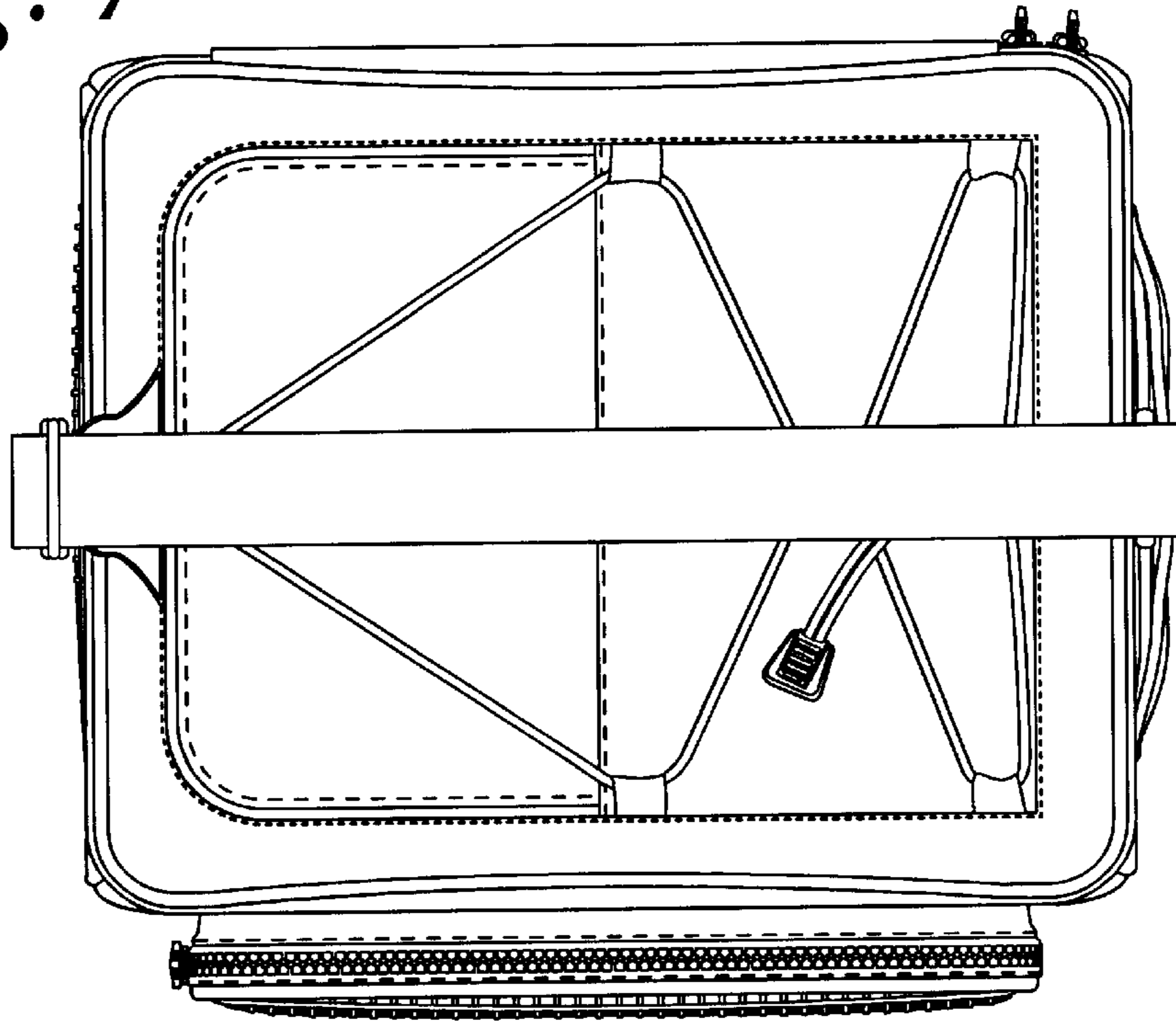


Fig. 8

