



US00D465128S

(12) **United States Design Patent** (10) **Patent No.:** **US D465,128 S**
Au (45) **Date of Patent:** **** Nov. 5, 2002**

(54) **LID FOR COOKING VESSEL**

D398,811 S * 9/1998 Montgelard D7/391
D414,651 S * 10/1999 Brunianyn D7/391

(75) Inventor: **Sin Ting Au**, Hong Kong (HK)

* cited by examiner

(73) Assignee: **Intelligent Housewares Ltd.**, Hong Kong (HK)

Primary Examiner—Caron D. Veynar
(74) *Attorney, Agent, or Firm*—Jackson Walker L.L.P.

(**) Term: **14 Years**

(57) **CLAIM**

(21) Appl. No.: **29/149,544**

The ornamental design for a lid for cooking vessel, as shown and described.

(22) Filed: **Oct. 11, 2001**

DESCRIPTION

(51) **LOC (7) Cl.** **07-02**

(52) **U.S. Cl.** **D7/391**

(58) **Field of Search** D7/323, 354-361,
D7/391, 387, 388; 220/212.5, 573.1-573.3,
912; 16/433, 441

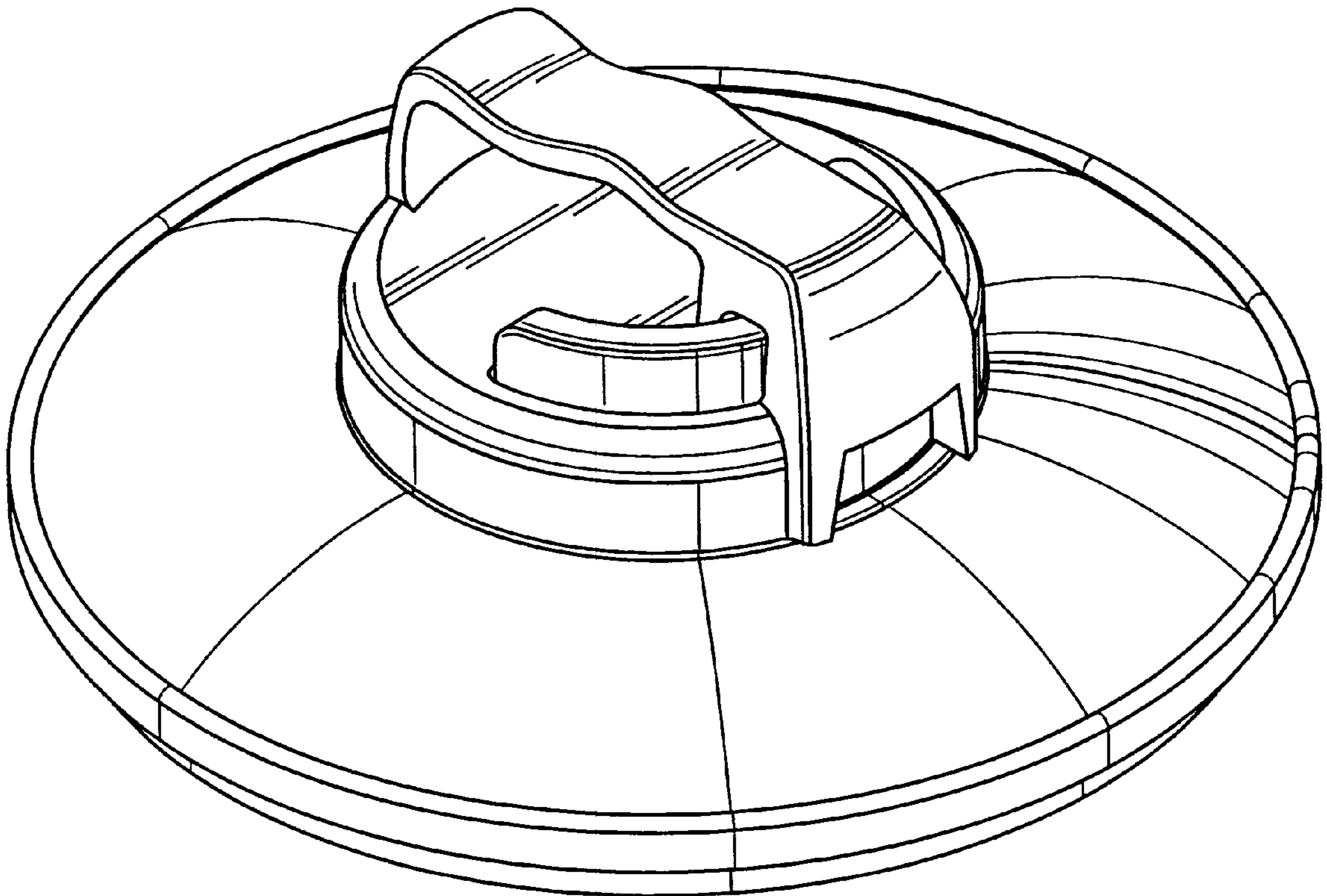
FIG. 1 is a perspective view of a lid for cooking vessel showing my design;
FIG. 2 is an inverted perspective view thereof;
FIG. 3 is a plan view thereof;
FIG. 4 is a front elevational view thereof;
FIG. 5 is an inverted plan view thereof;
FIG. 6 is a rear elevational view thereof;
FIG. 7 is a left side elevational view thereof; and,
FIG. 8 is a right side elevational view thereof.

(56) **References Cited**

U.S. PATENT DOCUMENTS

D384,241 S * 9/1997 Brassat D7/391
D385,152 S * 10/1997 Rae D7/391

1 Claim, 4 Drawing Sheets



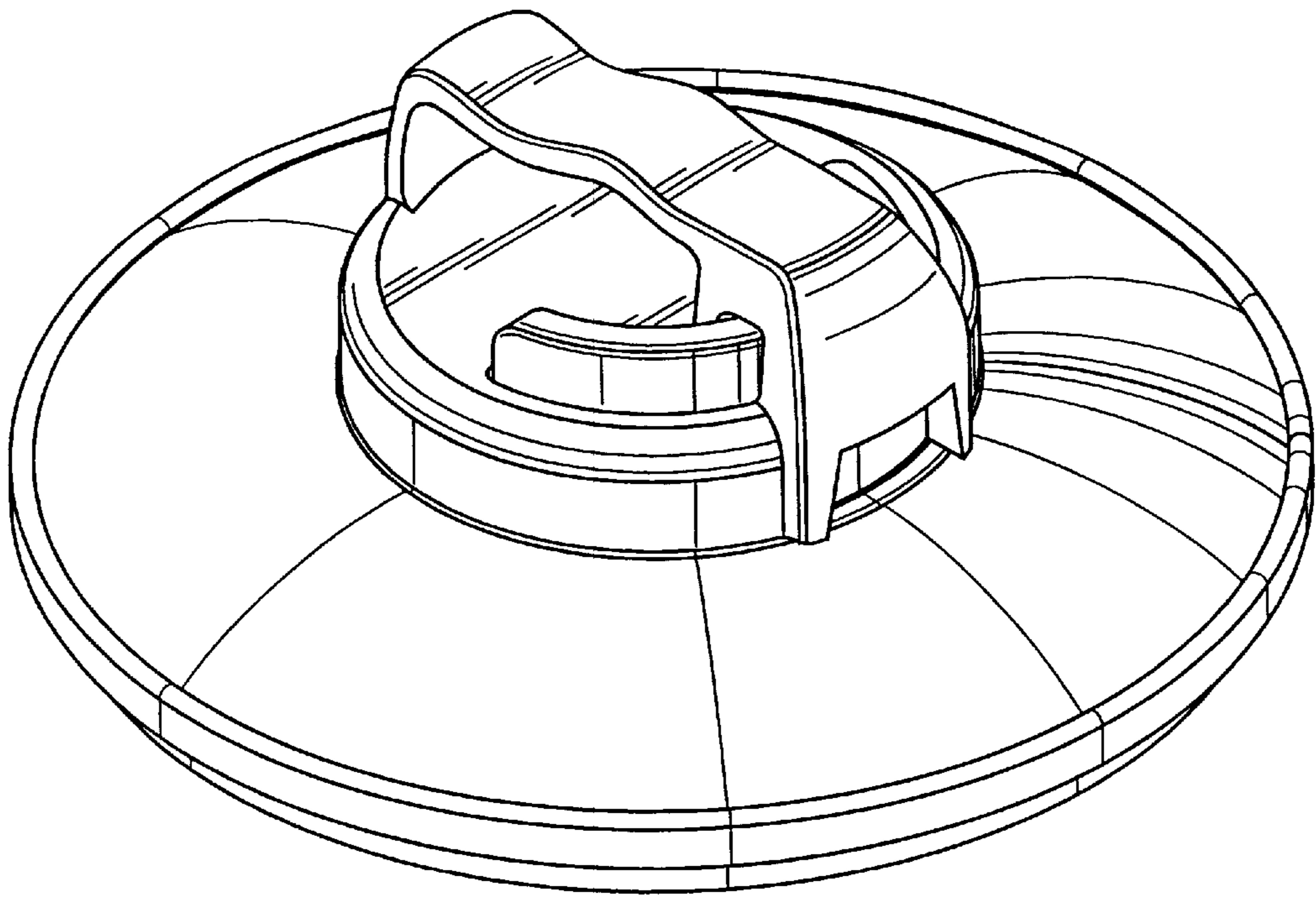


FIG. 1

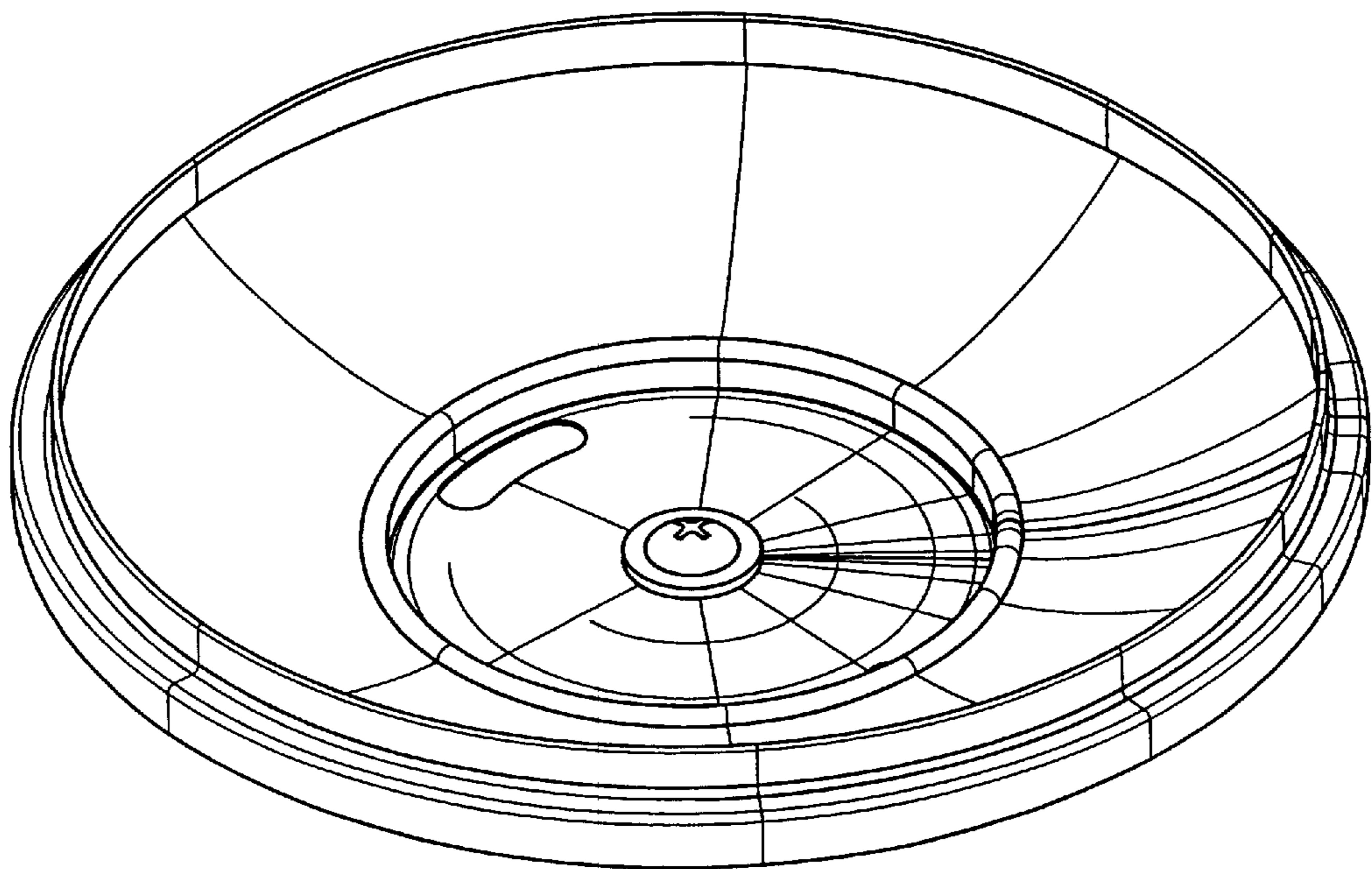


FIG. 2

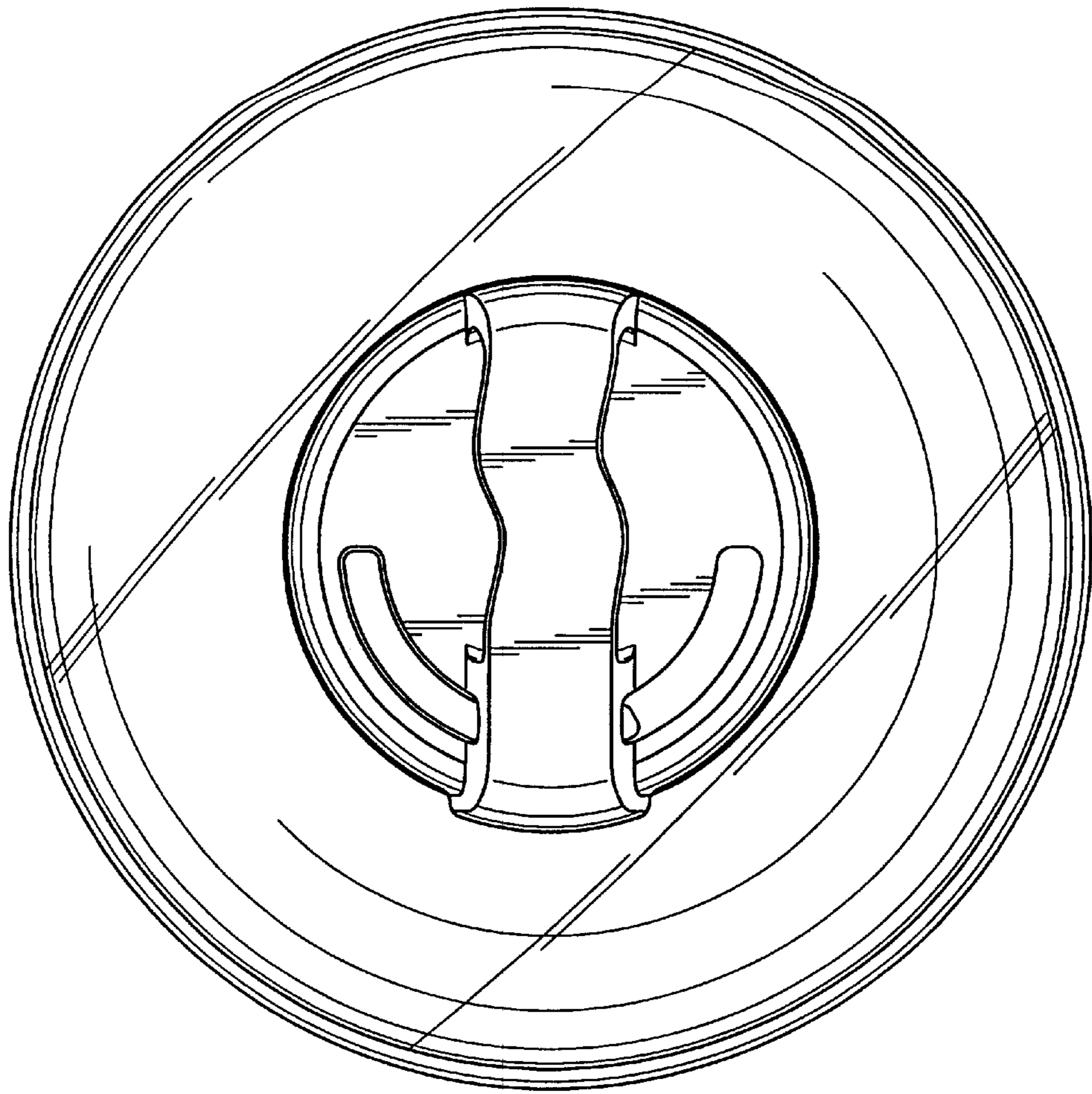


FIG. 3

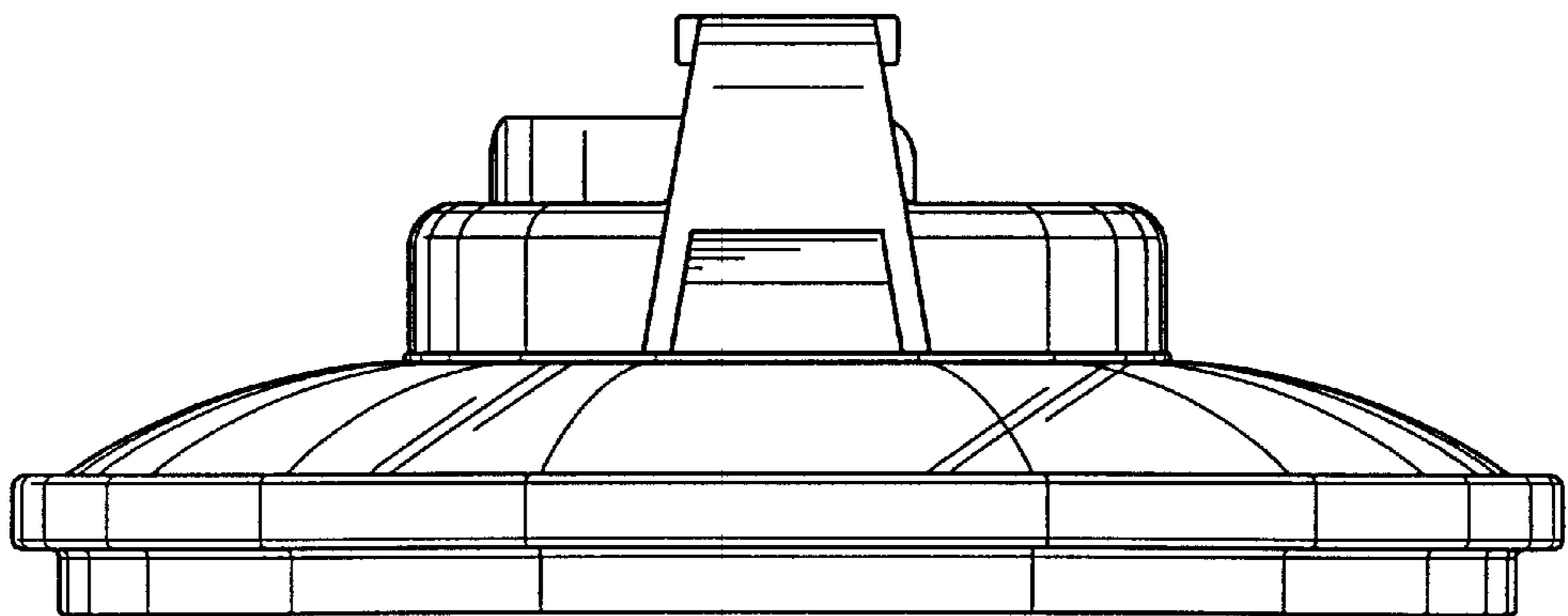


FIG. 4

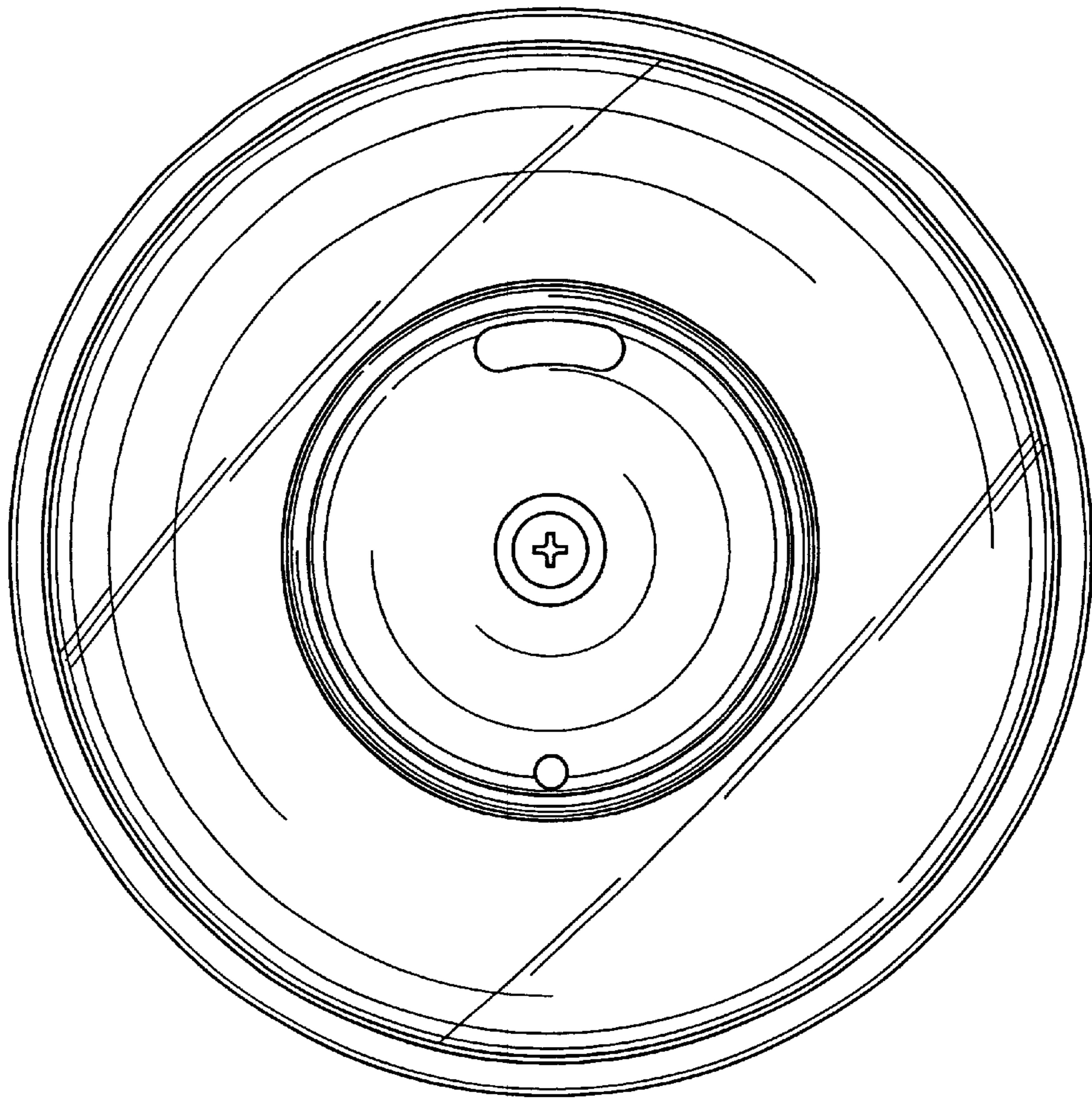


FIG. 5

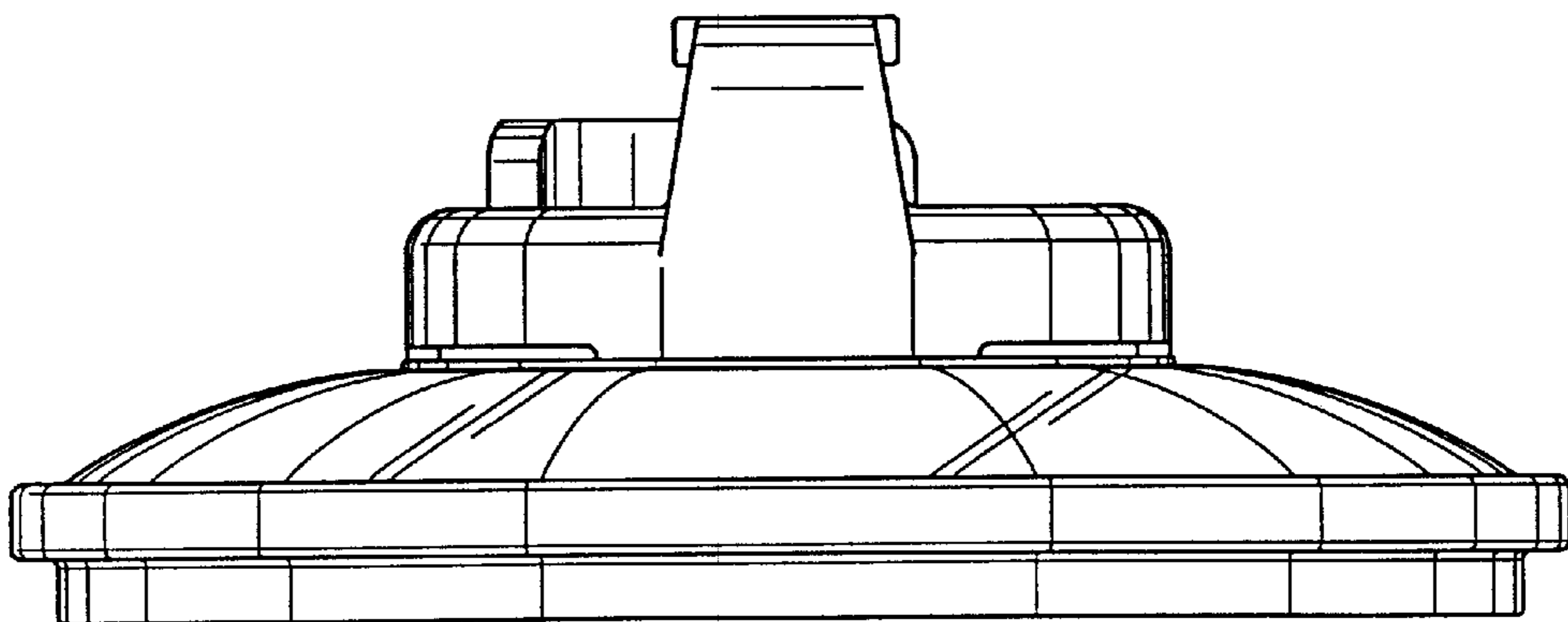


FIG. 6

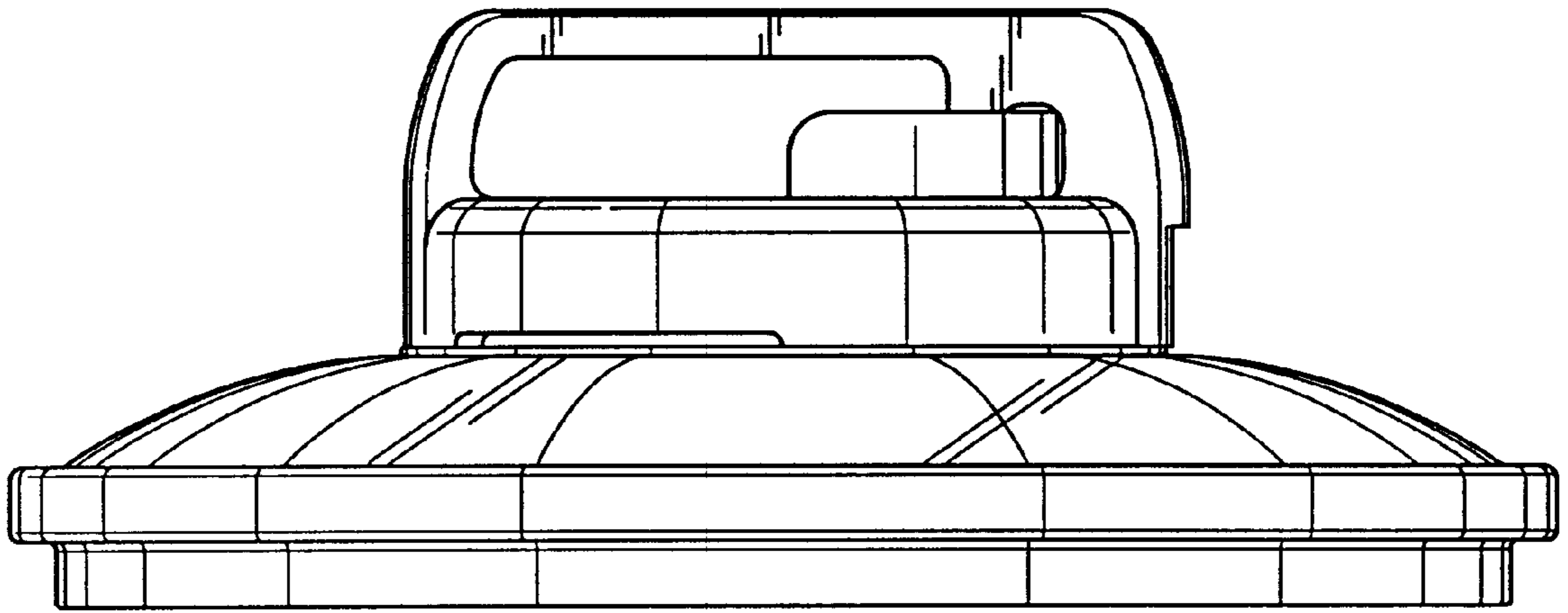


FIG. 7

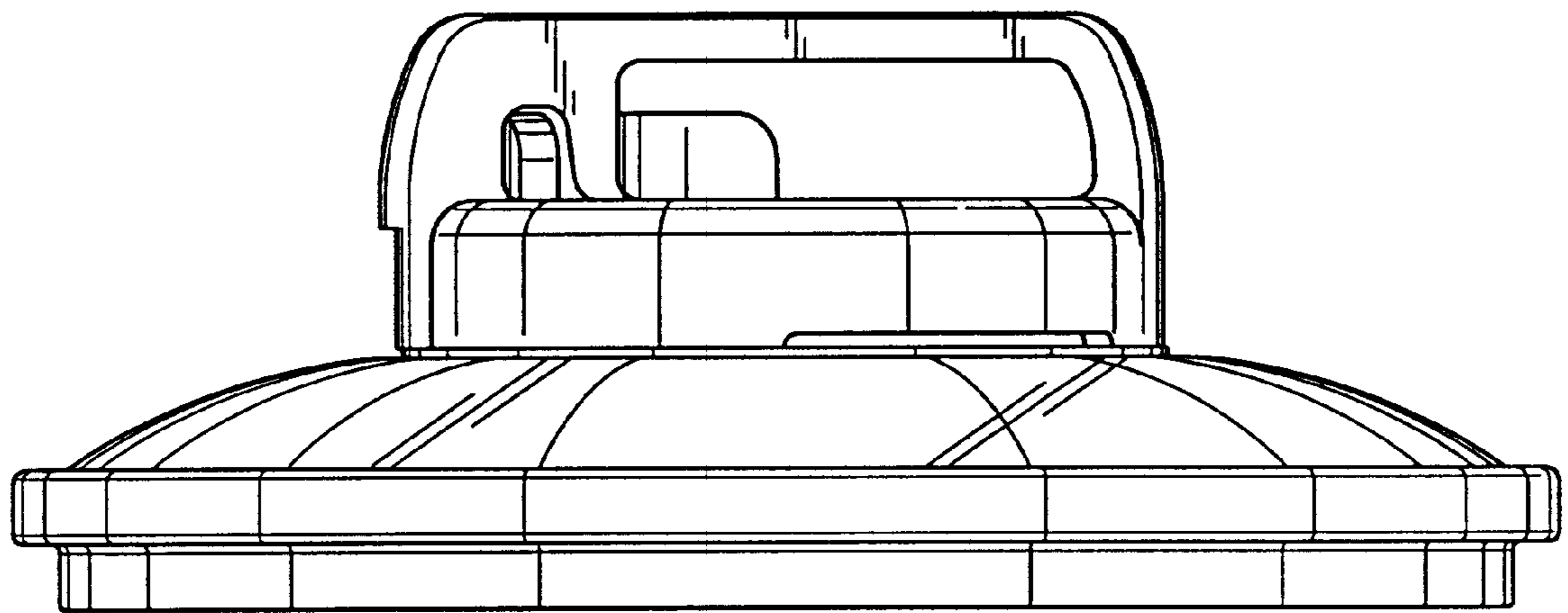


FIG. 8