



US00D465127S

(12) **United States Design Patent**
Lee

(10) **Patent No.:** **US D465,127 S**

(45) **Date of Patent:** **** Nov. 5, 2002**

(54) **BLENDER**

(76) Inventor: **Ming-Tsung Lee**, P.O. Box 90, Tainan City (TW)

(**) Term: **14 Years**

(21) Appl. No.: **29/154,297**

(22) Filed: **Jan. 24, 2002**

(51) **LOC (7) Cl.** **31-00**

(52) **U.S. Cl.** **D7/378**

(58) **Field of Search** D7/376-378, 384, D7/386, 413; 366/197, 199, 204, 241, 242, 251, 314; 241/33, 101.01

(56) **References Cited**

U.S. PATENT DOCUMENTS

- D199,888 S * 12/1964 Dewenter D7/378
- D373,504 S * 9/1996 Leverrier D7/378
- D439,797 S * 4/2001 Planca et al. D7/378

D448,967 S * 10/2001 Planca et al. D7/378

D450,529 S * 11/2001 Smith D7/378

D453,443 S * 2/2002 Hoare et al. D7/378

* cited by examiner

Primary Examiner—Caron D. Veynar

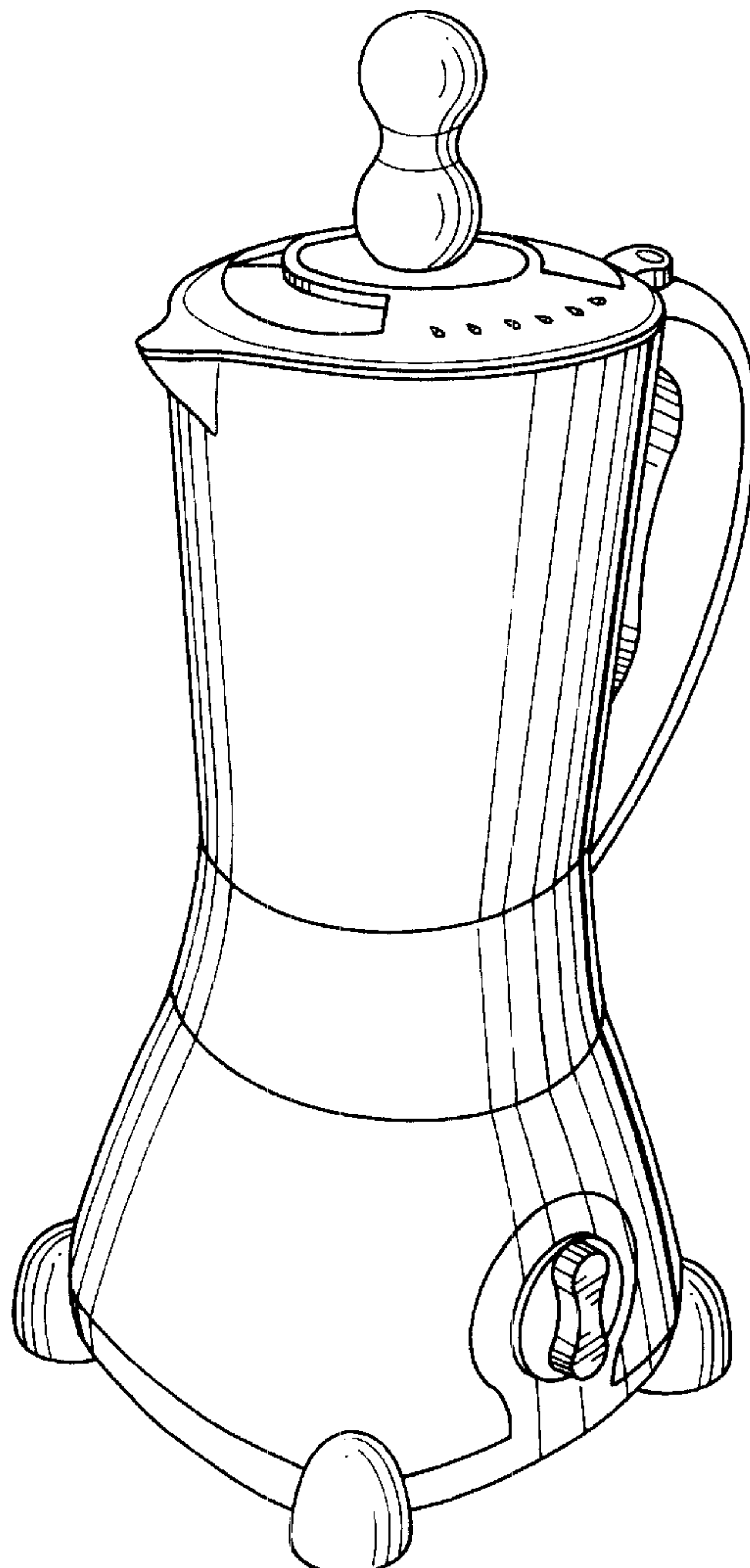
(57) **CLAIM**

The ornamental design for a blender, as shown and described.

DESCRIPTION

FIG. 1 is a perspective view of a blender showing my design; FIG. 2 is a front elevational view thereof; FIG. 3 is a rear elevational view thereof; FIG. 4 is a left side elevational view thereof; FIG. 5 is a right side elevational view thereof; FIG. 6 is a top plan view thereof; and, FIG. 7 is a bottom plan view thereof.

1 Claim, 6 Drawing Sheets



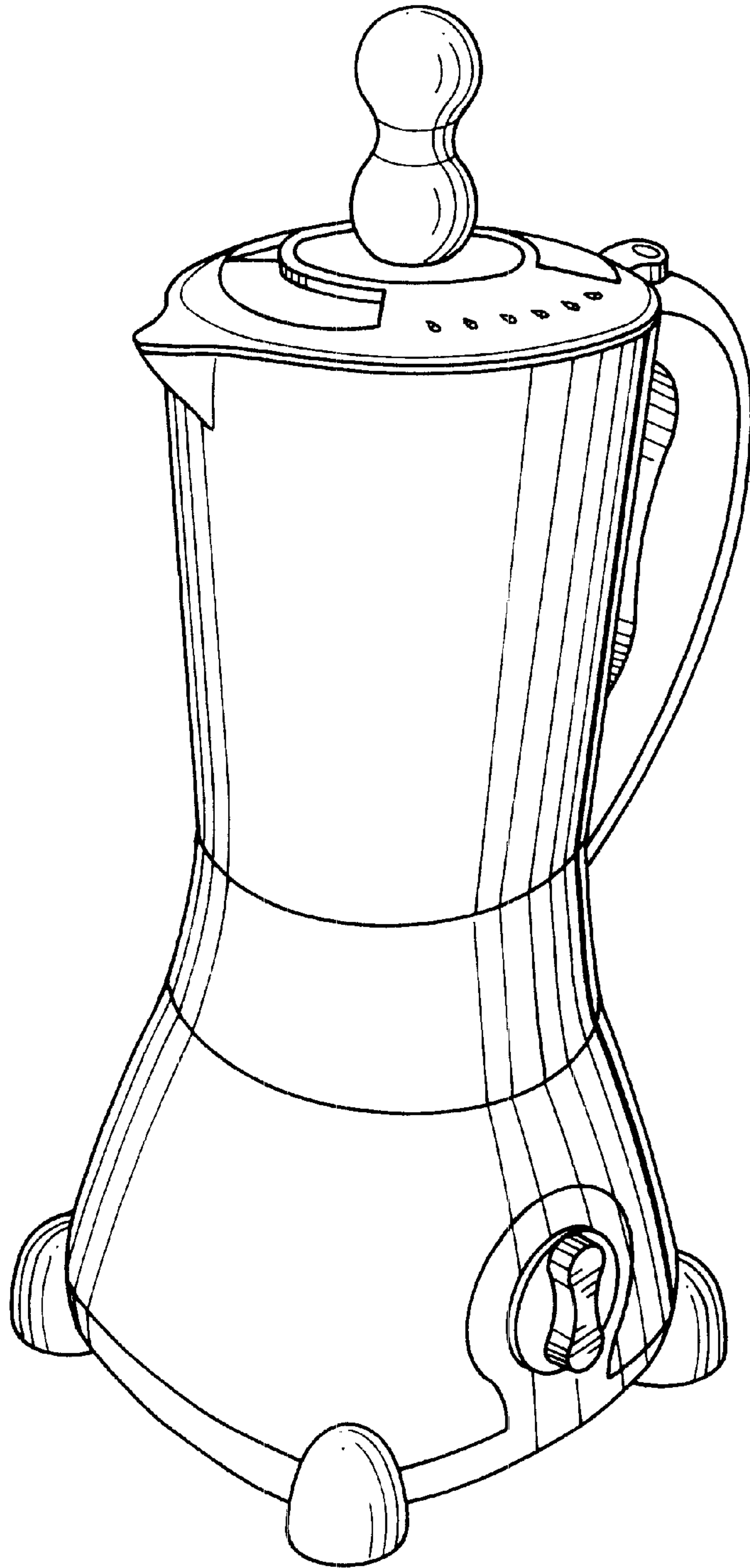


FIG. 1

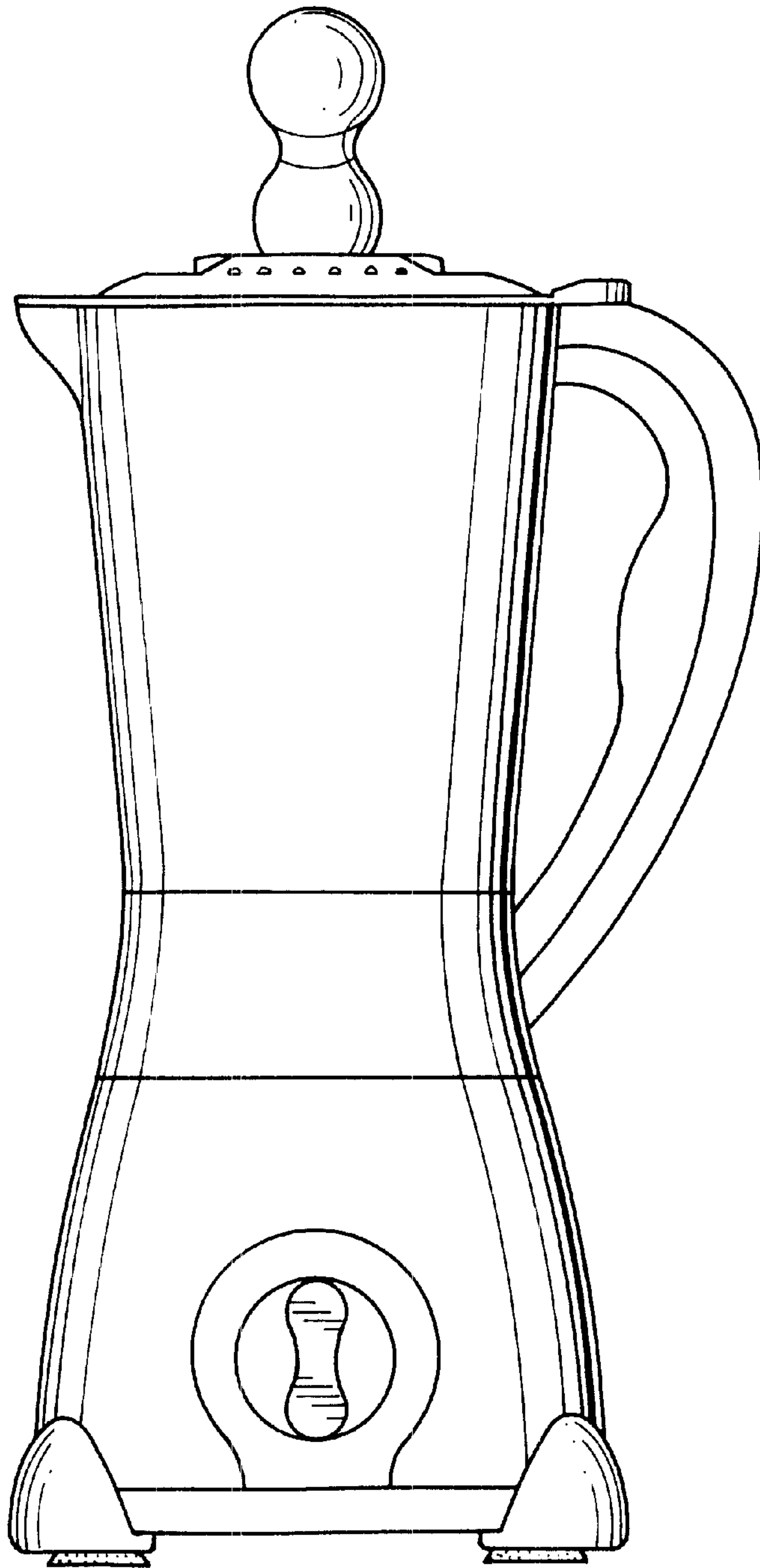


FIG.2

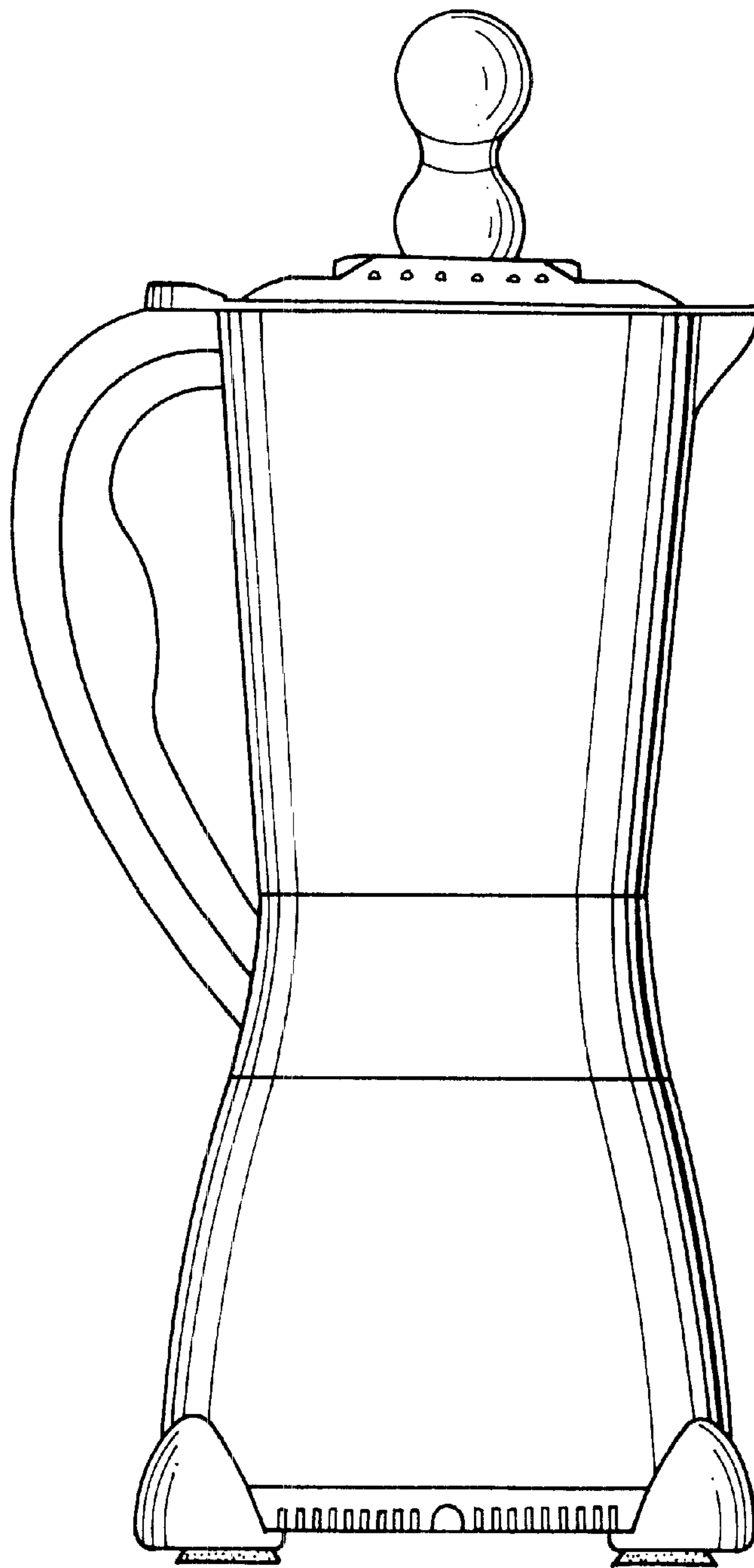


FIG. 3

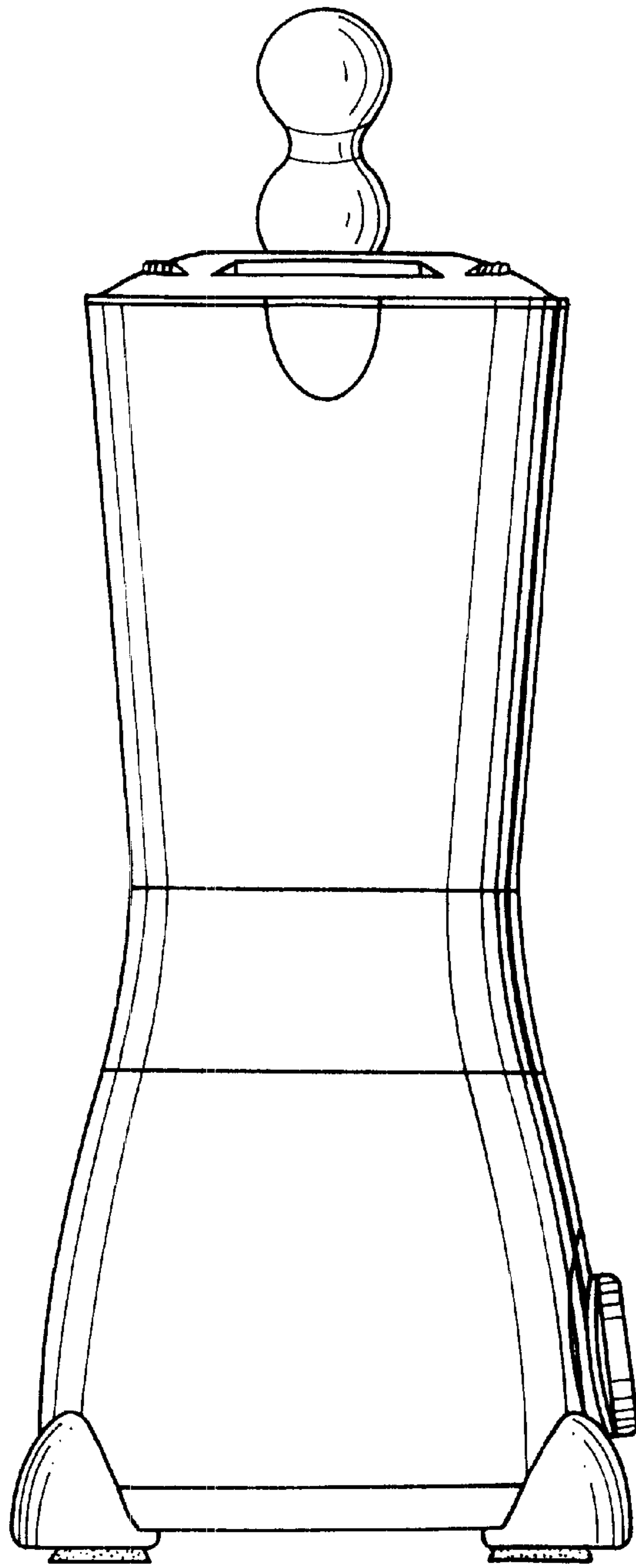


FIG.4

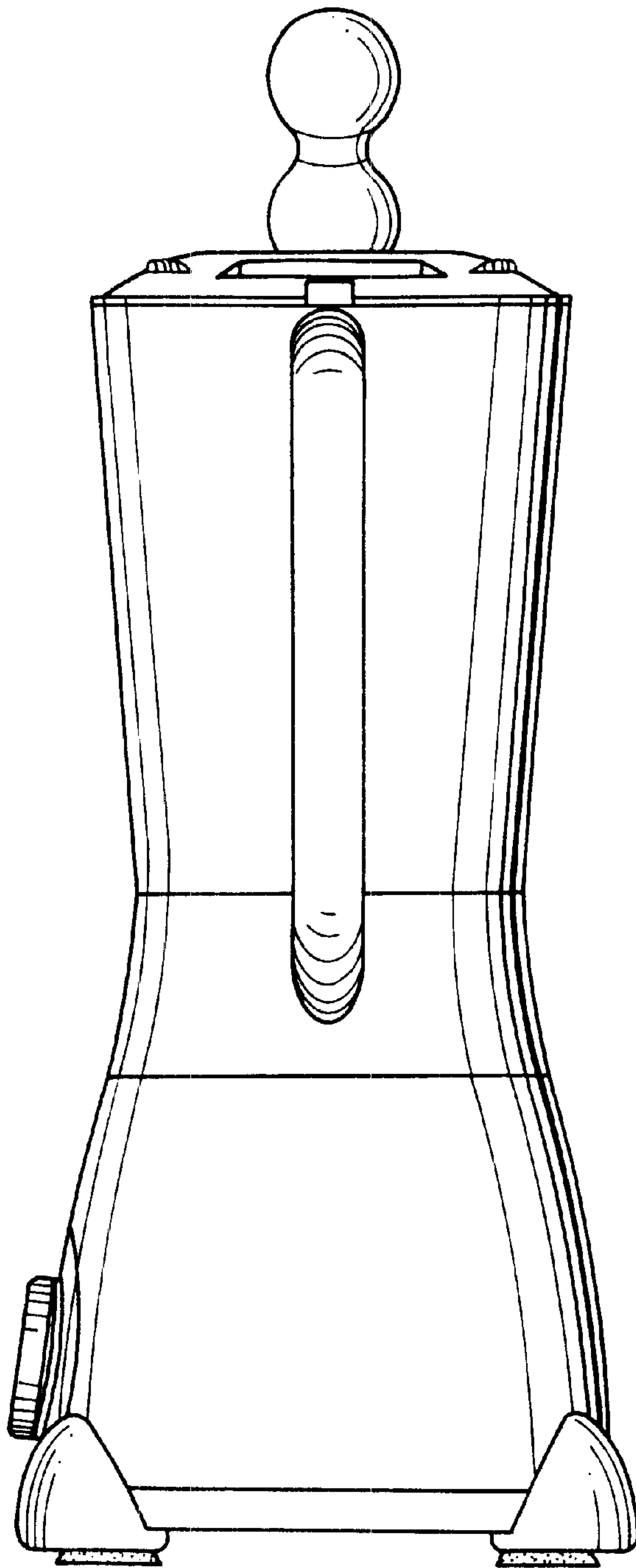


FIG.5

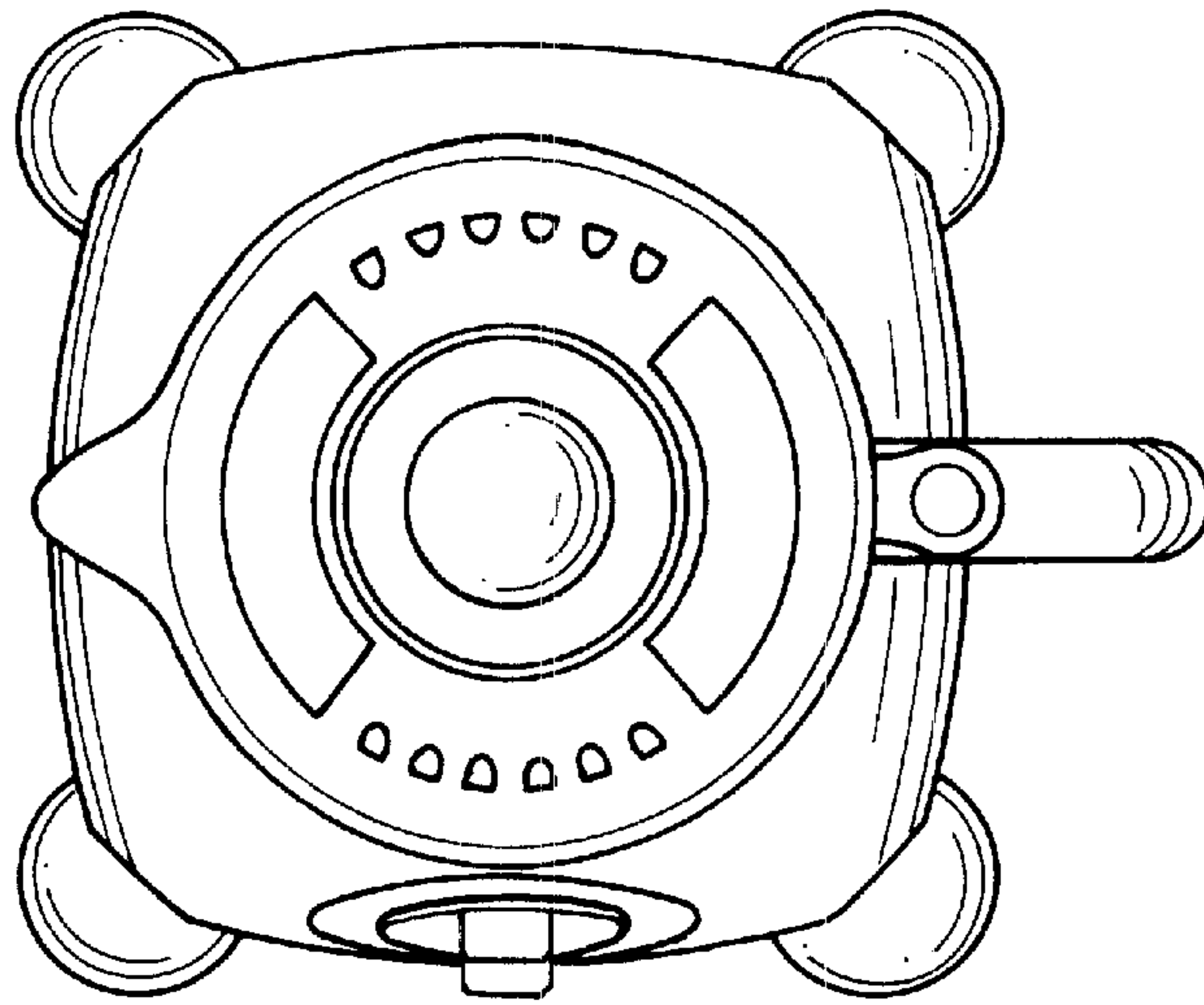


FIG. 6

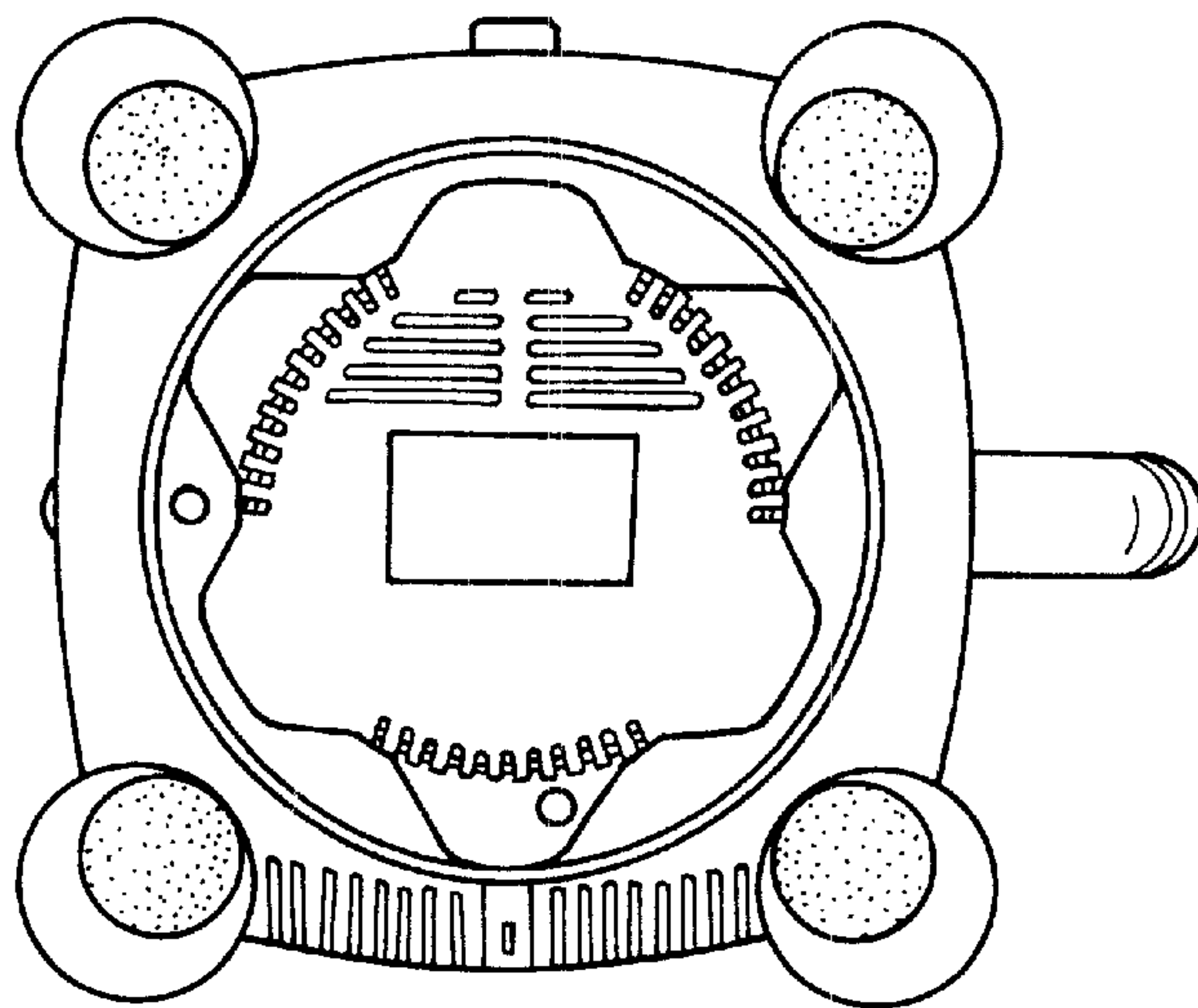


FIG. 7