



US00D465125S

(12) **United States Design Patent**
Chedal Anglay

(10) **Patent No.:** **US D465,125 S**

(45) **Date of Patent:** **** Nov. 5, 2002**

- (54) **FRYER**
- (75) Inventor: **Christophe Chedal Anglay**, Cran
Gevrier (FR)
- (73) Assignee: **SEB**, Selongey (FR)
- (**) Term: **14 Years**
- (21) Appl. No.: **29/143,393**
- (22) Filed: **Jun. 14, 2001**
- (30) **Foreign Application Priority Data**
Dec. 15, 2000 (FR) 00 7580
- (51) **LOC (7) Cl.** **07-02**
- (52) **U.S. Cl.** **D7/354**
- (58) **Field of Search** D7/323, 350, 354-361;
99/331, 336, 403, 410, 411, 412; 219/429-432,
438, 440
- (56) **References Cited**
U.S. PATENT DOCUMENTS
D347,353 S * 5/1994 Piret et al. D7/354
D374,588 S * 10/1996 Federico D7/354
D414,072 S * 9/1999 Powell D7/354

- D422,447 S * 4/2000 Josancy D7/354
- D423,277 S * 4/2000 Josancy D7/354
- D436,795 S * 1/2001 Martres et al. D7/354
- D452,412 S * 12/2001 Jeong D7/354
- D452,795 S * 1/2002 Johnson et al. D7/354

* cited by examiner

Primary Examiner—Caron D. Veynar

(74) *Attorney, Agent, or Firm*—Browdy and Neimark,
P.L.L.C.

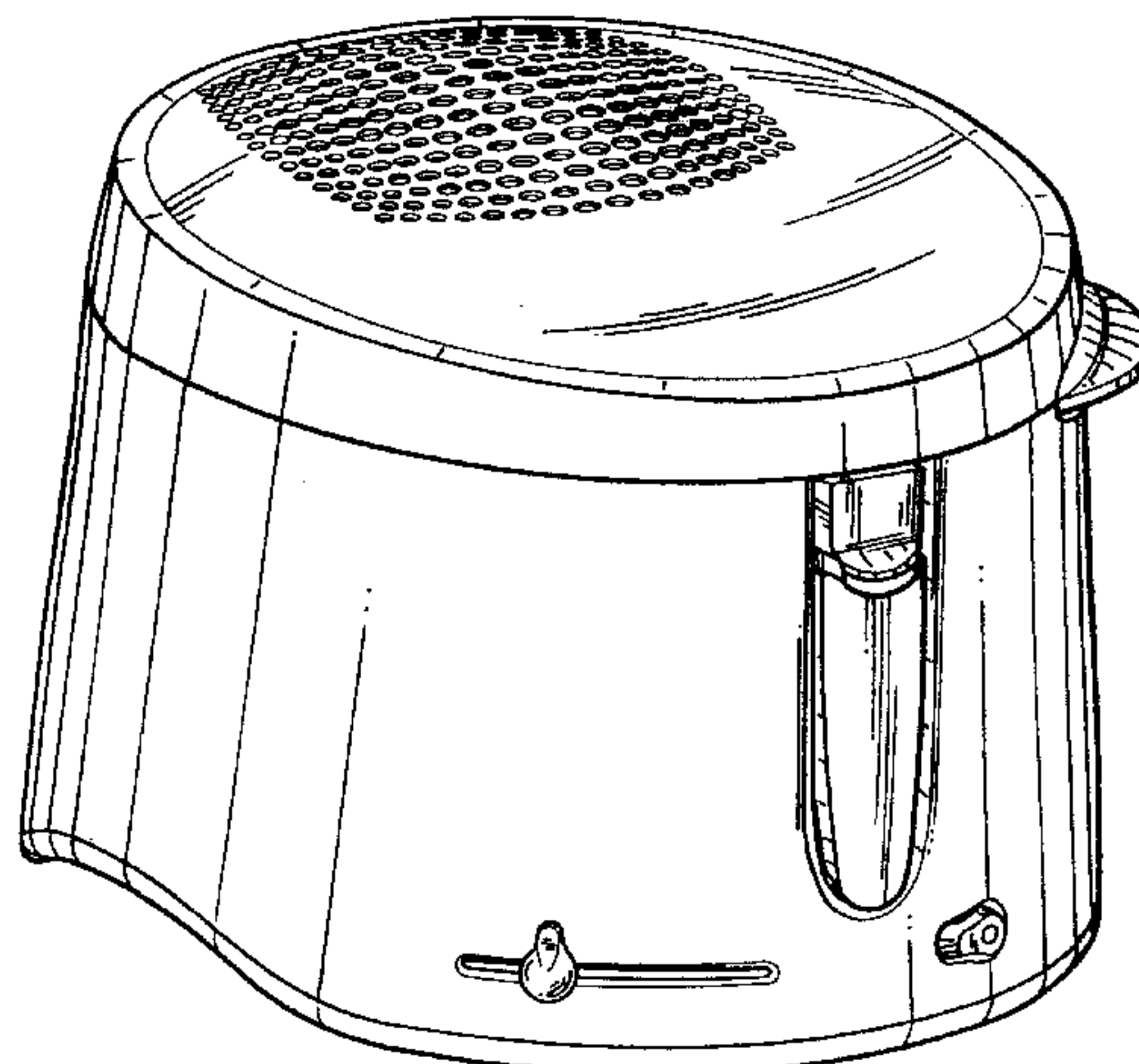
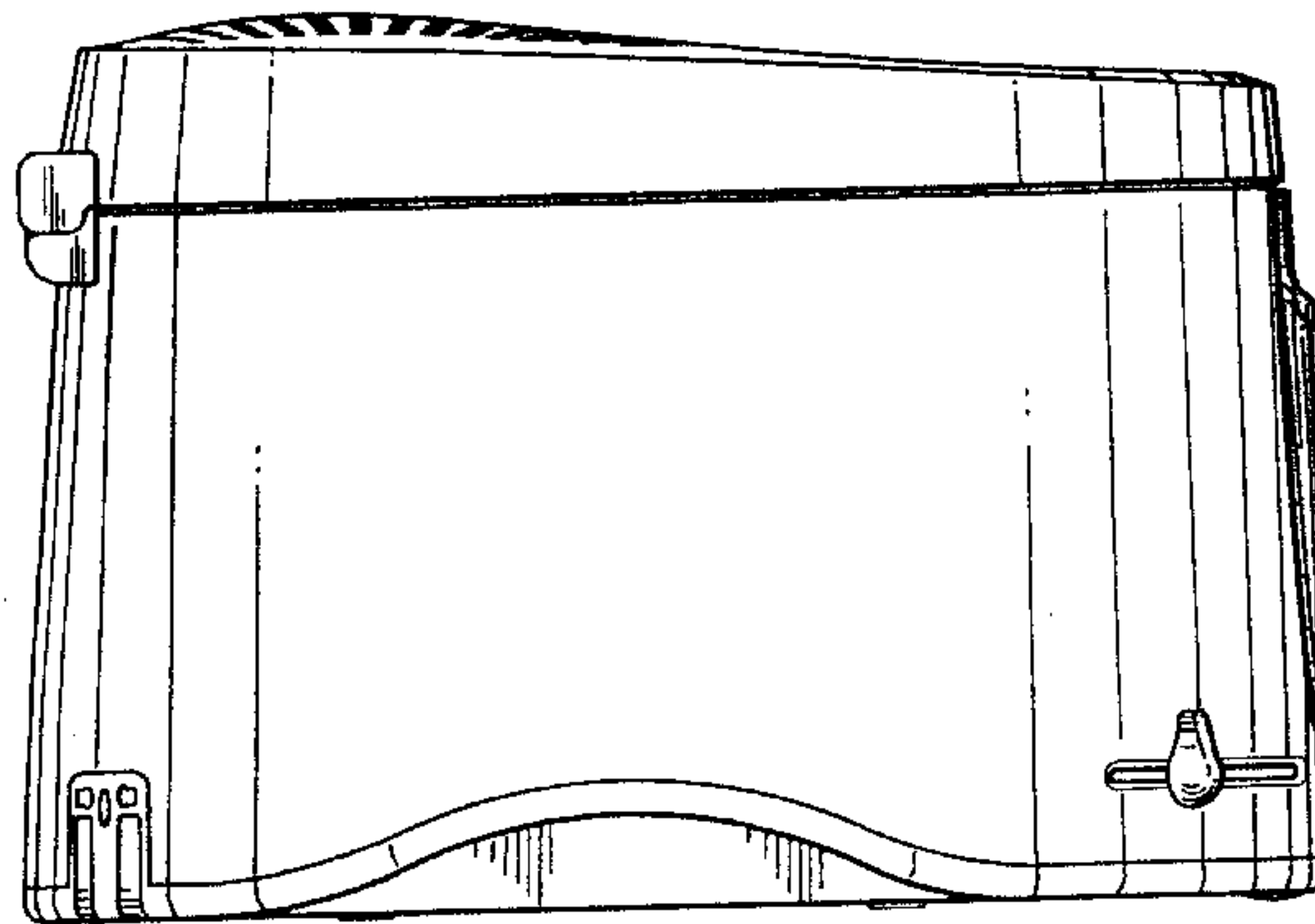
(57) **CLAIM**

The ornamental design for a fryer, as shown and described.

DESCRIPTION

FIG. 1 is a front view of a fryer in accordance with the present design;
 FIG. 2 is a rear view thereof;
 FIG. 3 is a left side view thereof;
 FIG. 4 is a right side view thereof;
 FIG. 5 is a top plan view thereof; and,
 FIG. 6 is a three quarter perspective view thereof.
 The bottom of the design does not contain any ornamental features.

1 Claim, 6 Drawing Sheets



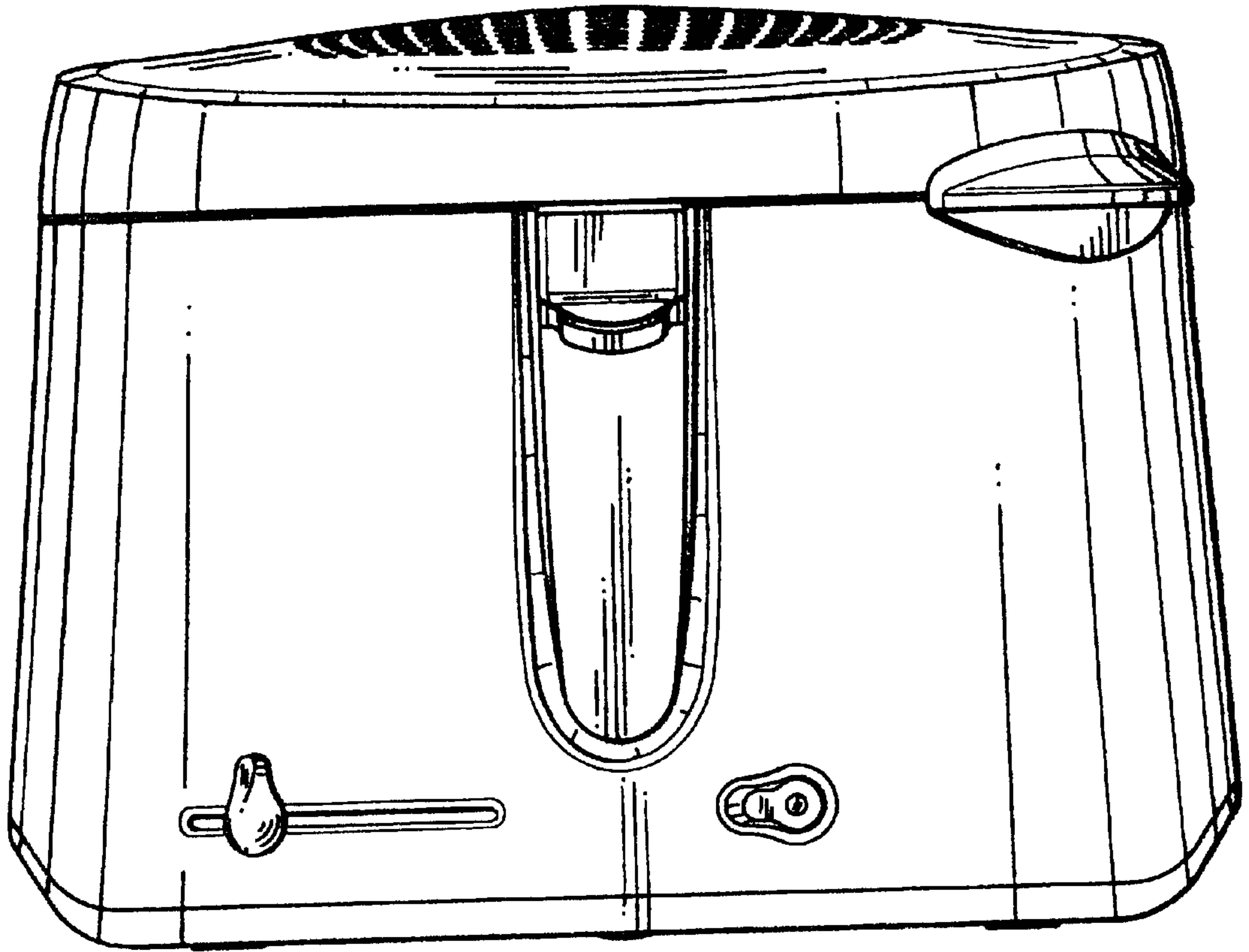


FIG. 1

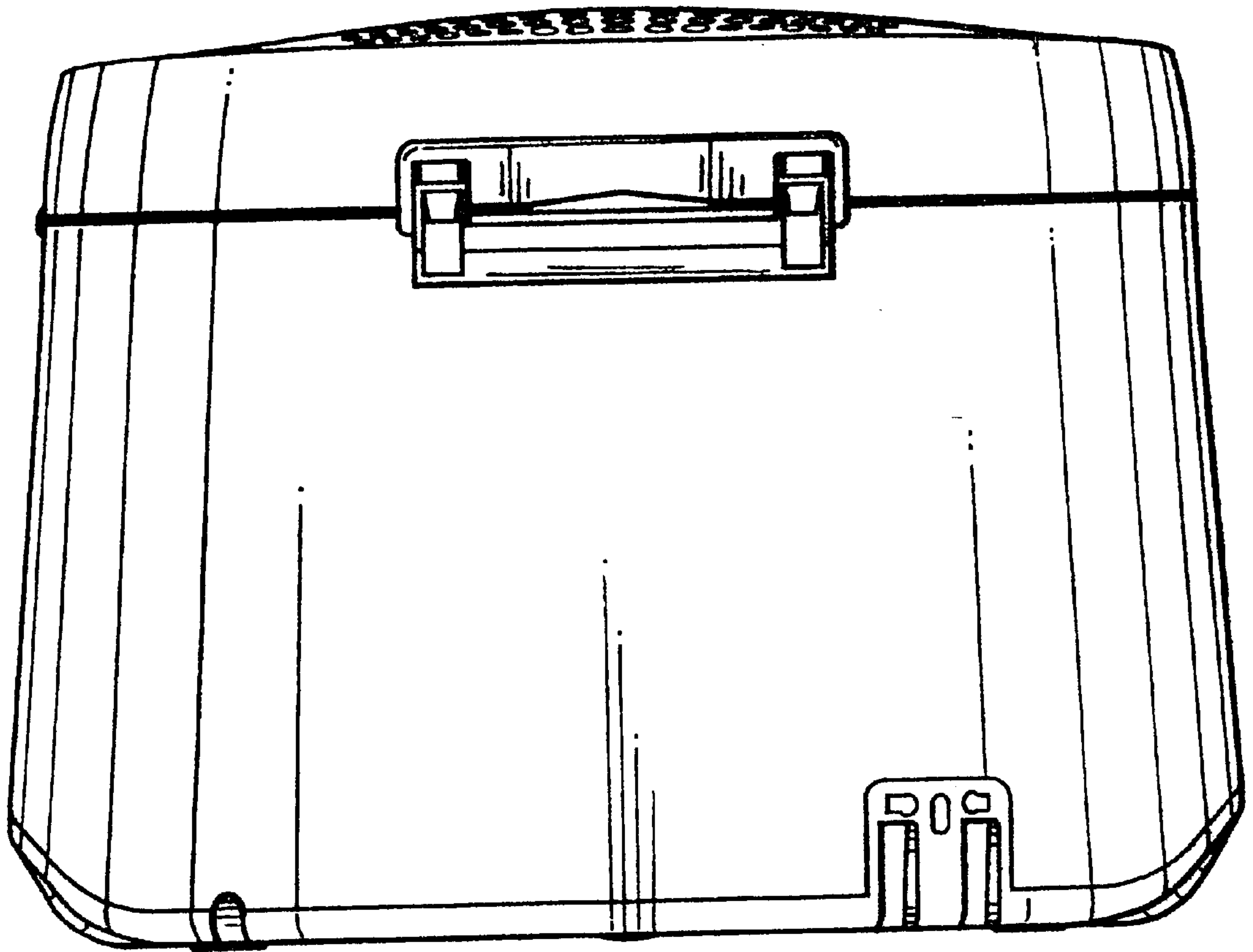


FIG. 2

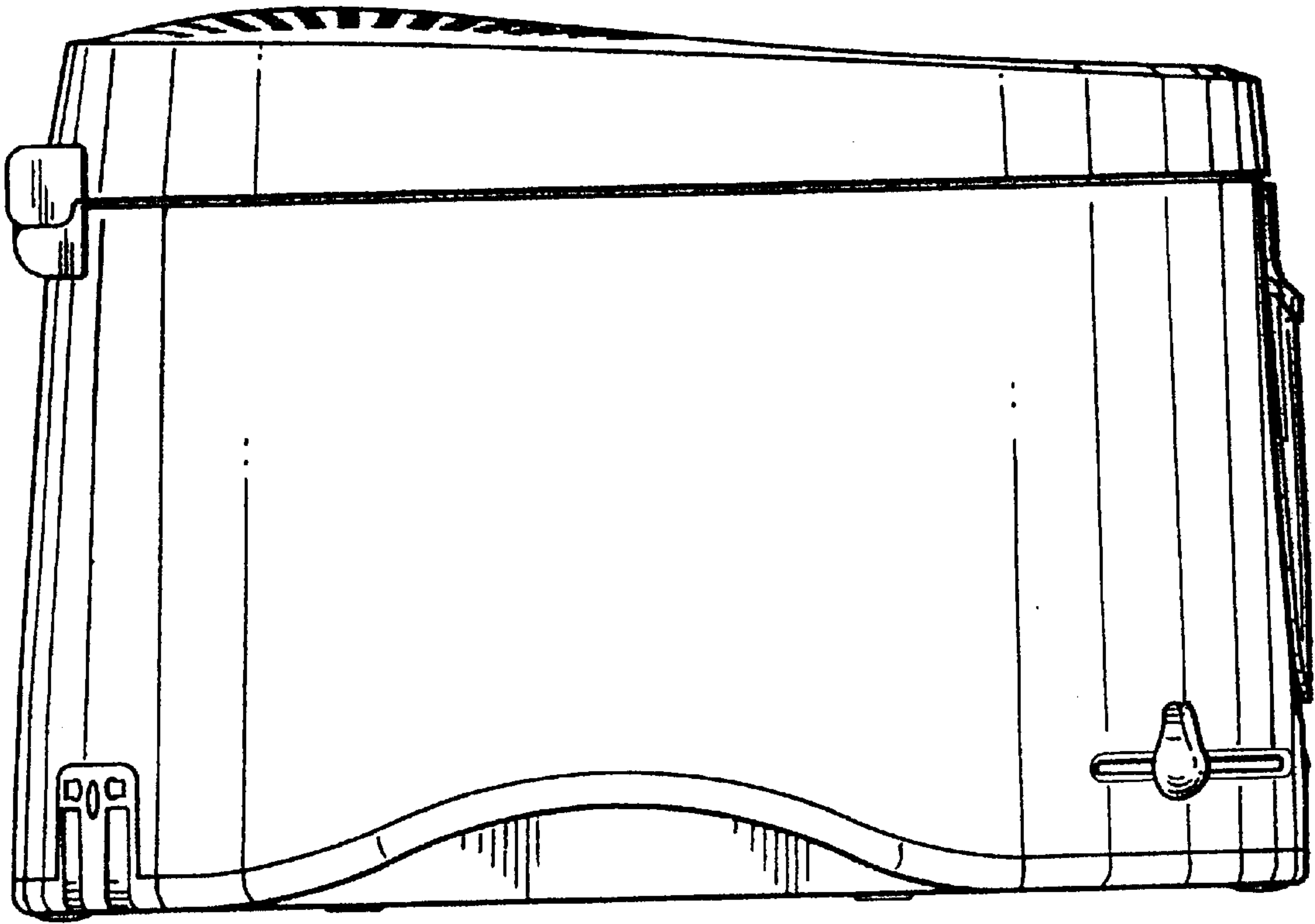


FIG. 3

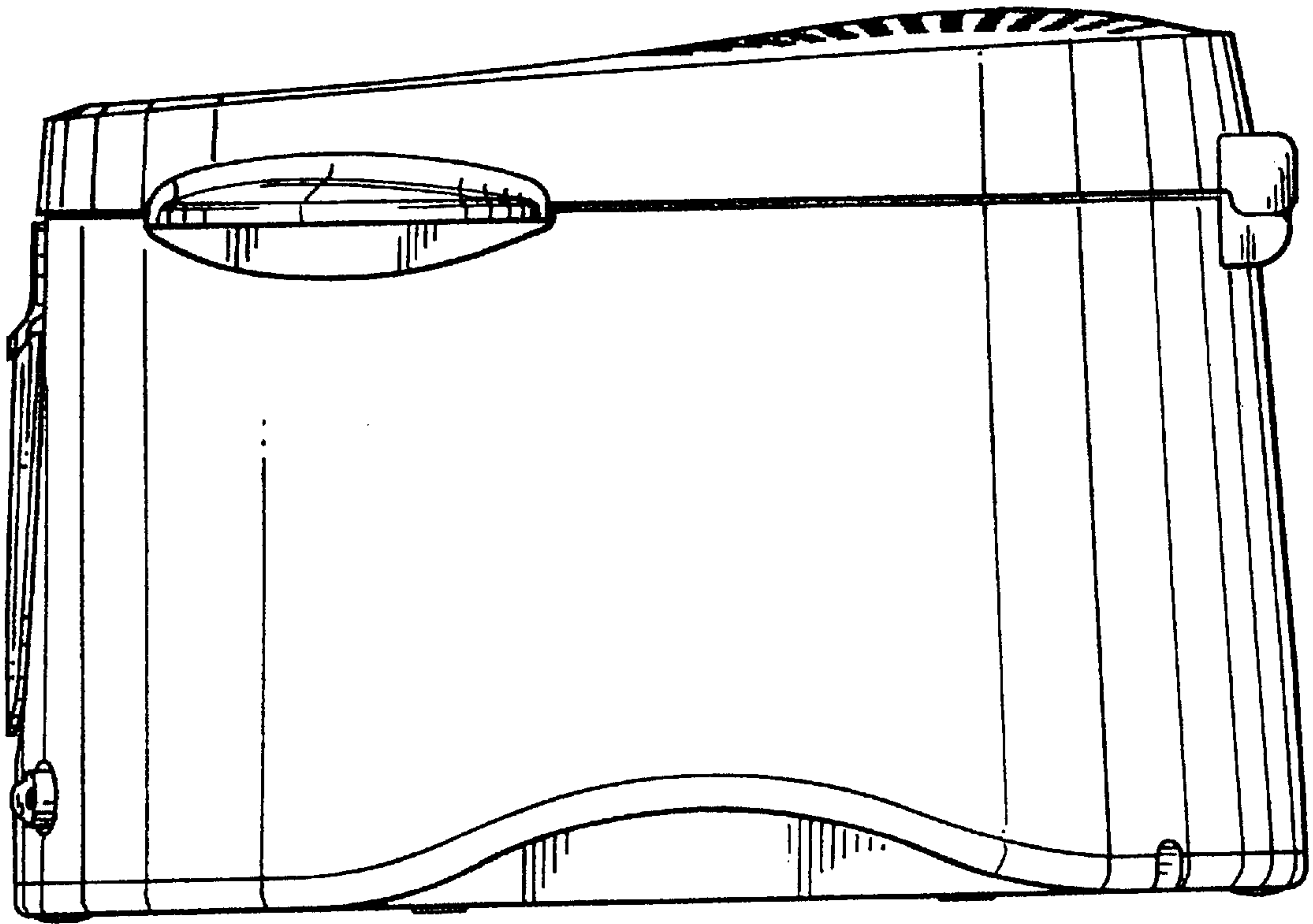


FIG. 4

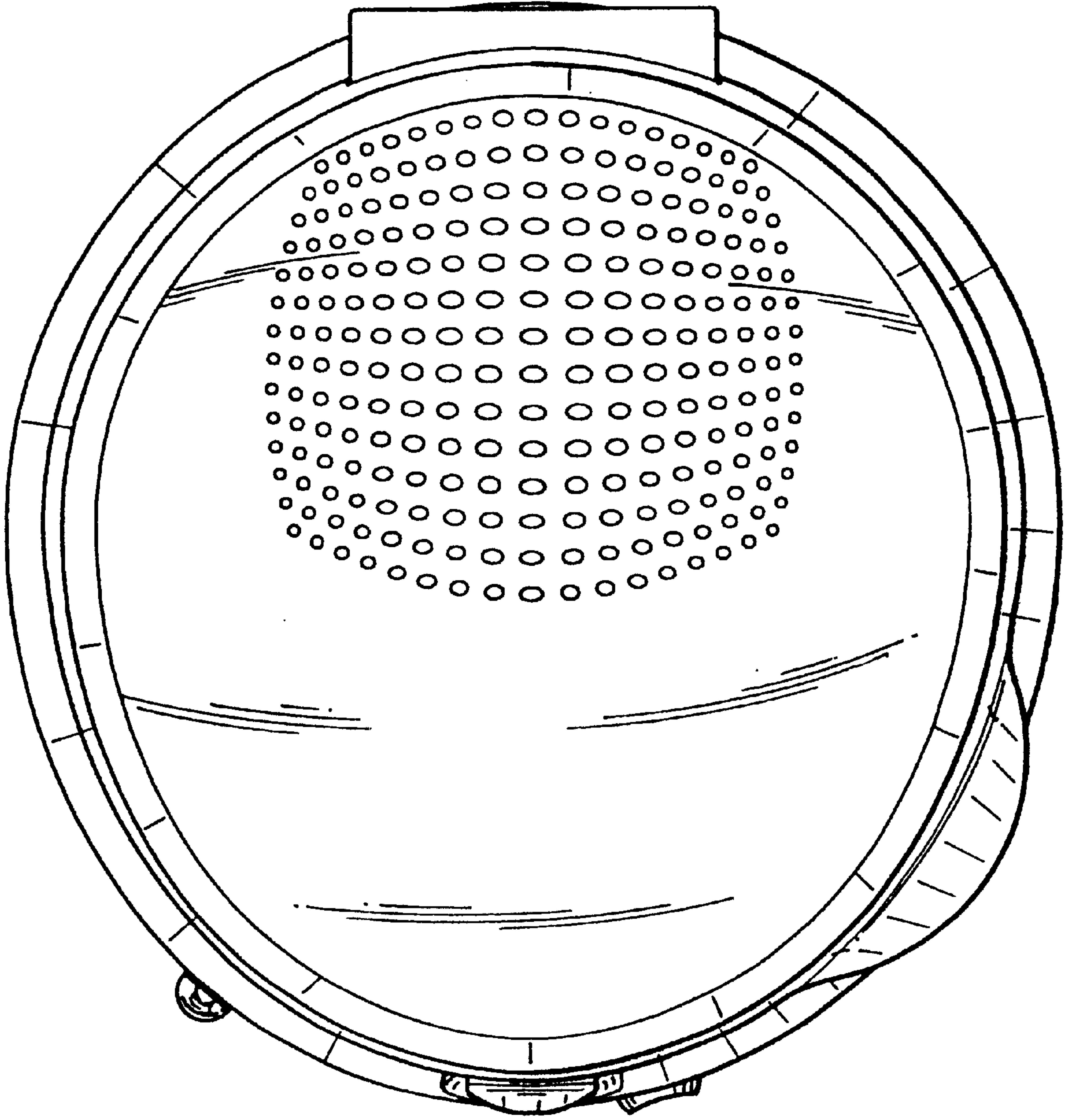


FIG. 5

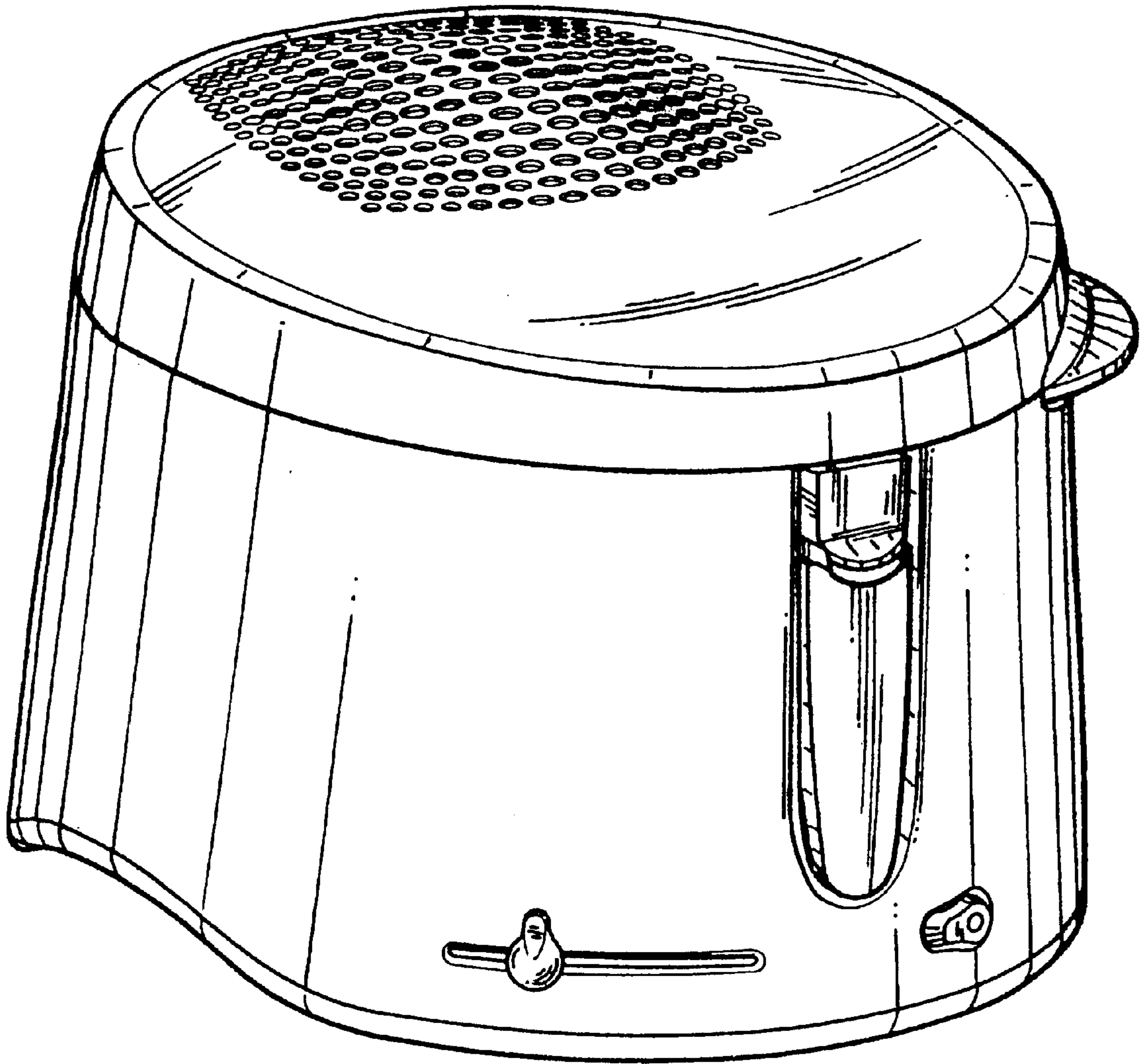


FIG. 6