



US00D465124S

(12) **United States Design Patent**  
**Favela**

(10) **Patent No.:** **US D465,124 S**

(45) **Date of Patent:** **\*\* Nov. 5, 2002**

(54) **BARBECUE GRILL**

(76) Inventor: **Manuel Favela**, 1455 E. Francis St.,  
Ontario, CA (US) 91761

(\*\*) Term: **14 Years**

(21) Appl. No.: **29/151,337**

(22) Filed: **Dec. 3, 2001**

(51) **LOC (7) Cl.** ..... **07-02**

(52) **U.S. Cl.** ..... **D7/334**

(58) **Field of Search** ..... D7/332-337, 402,  
D7/403, 404; D21/707, 709, 712-714; 126/25 R,  
25 A, 25 AA, 41 R; 99/419

(56) **References Cited**

**U.S. PATENT DOCUMENTS**

3,624,939 A	*	12/1971	Gossard	.....	40/721
D340,075 S	*	10/1993	Turner	.....	D19/82
D349,008 S	*	7/1994	Minor	.....	D7/606
D381,860 S	*	8/1997	Chiang	.....	D7/334
D387,608 S	*	12/1997	Kelly et al.	.....	D7/334

D418,359 S	*	1/2000	Taylor, Jr.	.....	D7/332
D430,990 S	*	9/2000	Cragg	.....	D7/402
D439,793 S	*	4/2001	Mak	.....	D7/332
D450,525 S	*	11/2001	Giebel et al.	.....	D7/334
D456,203 S	*	4/2002	Peloquin	.....	D7/334

\* cited by examiner

*Primary Examiner*—Ruth McInroy

(74) *Attorney, Agent, or Firm*—Stout, Uxa, Buyan &  
Mullins, LLP; Donald E. Stout

(57) **CLAIM**

The ornamental design for a barbecue grill, as shown.

**DESCRIPTION**

FIG. 1 is a top plan view of a barbecue grill showing my new design;

FIG. 2 is a bottom plan view of the barbecue grill;

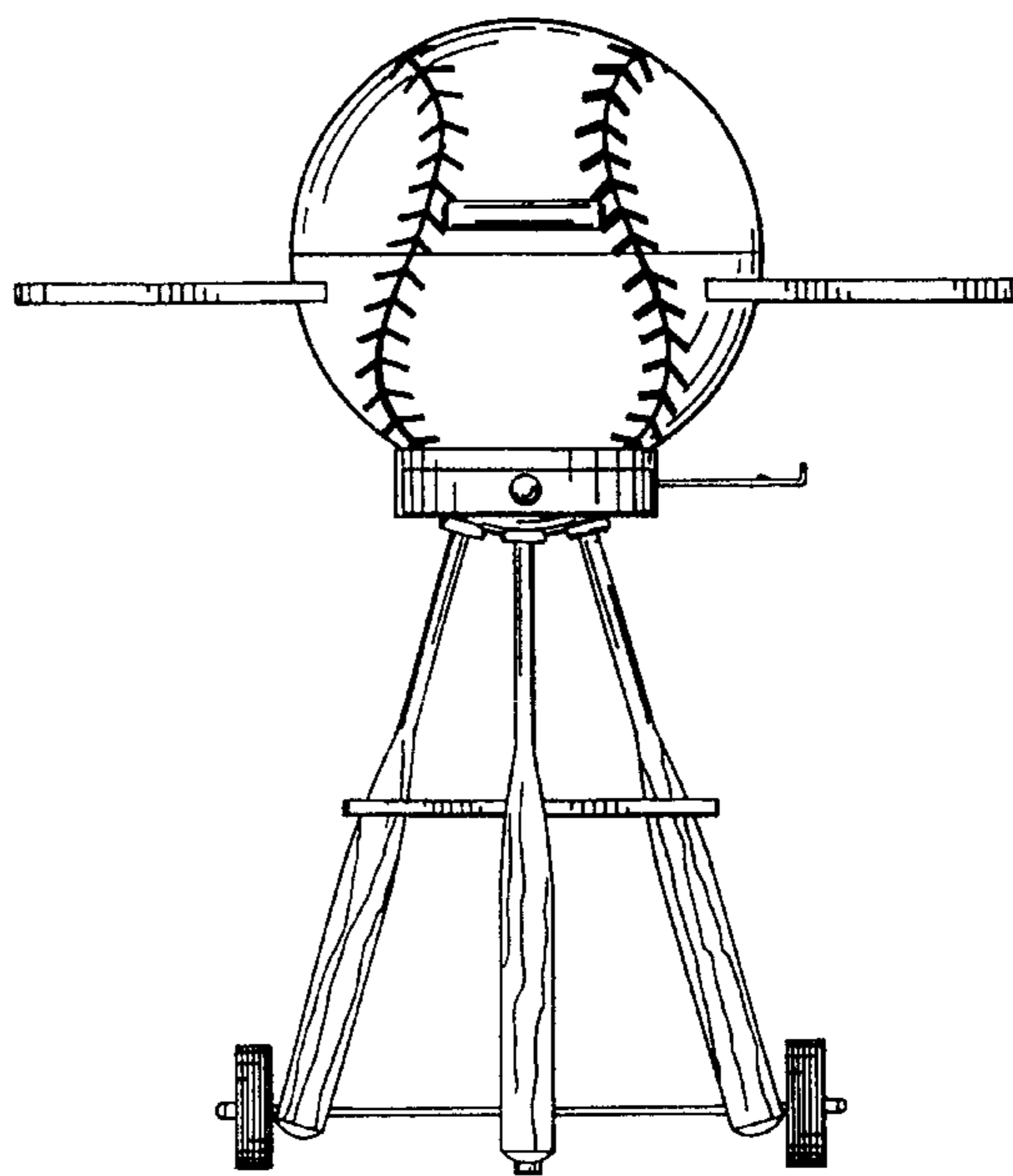
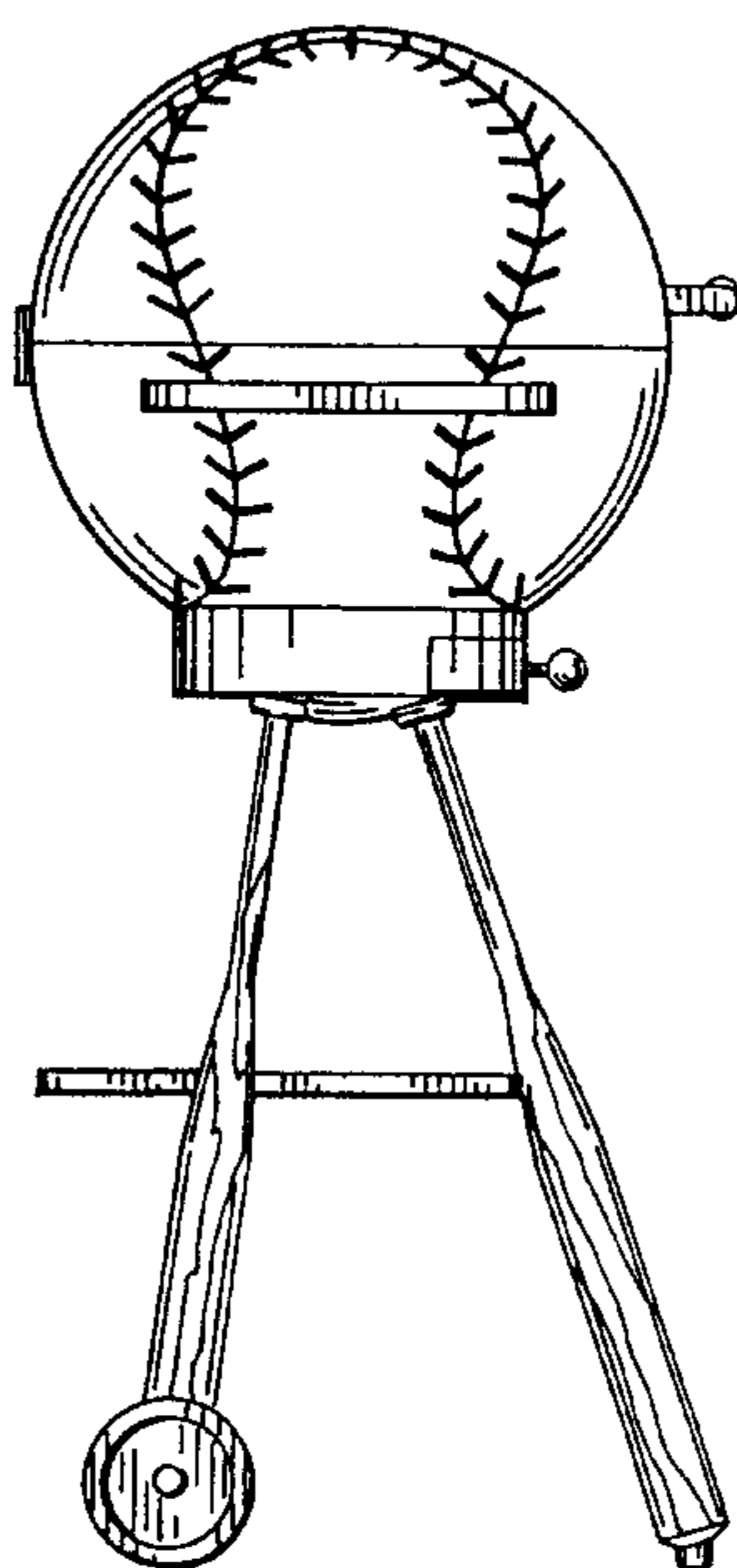
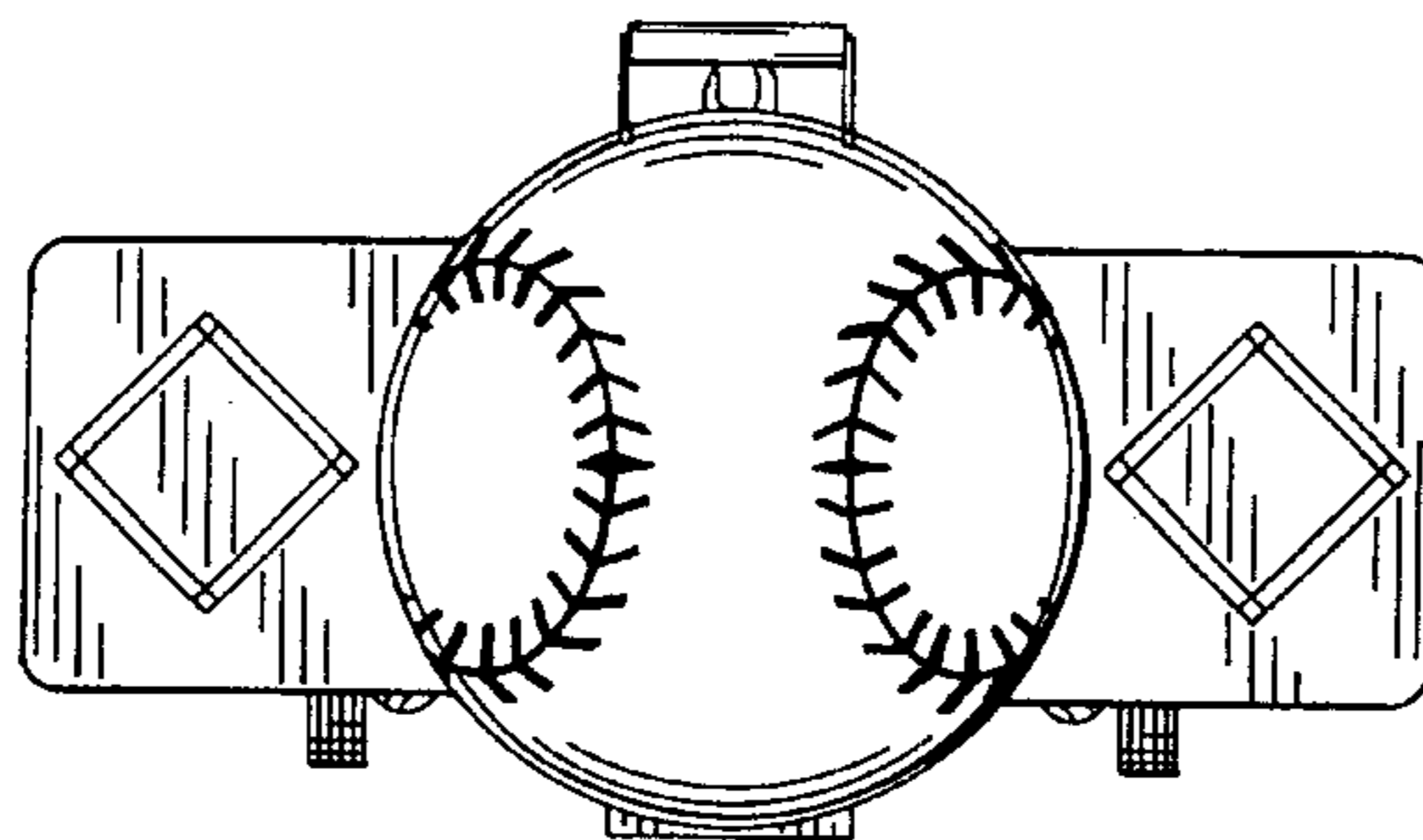
FIG. 3 is a left elevation of the barbecue grill;

FIG. 4 is a right elevation of the barbecue grill;

FIG. 5 is a front elevation of the barbecue grill; and,

FIG. 6 is a rear elevation of the barbecue grill.

**1 Claim, 3 Drawing Sheets**



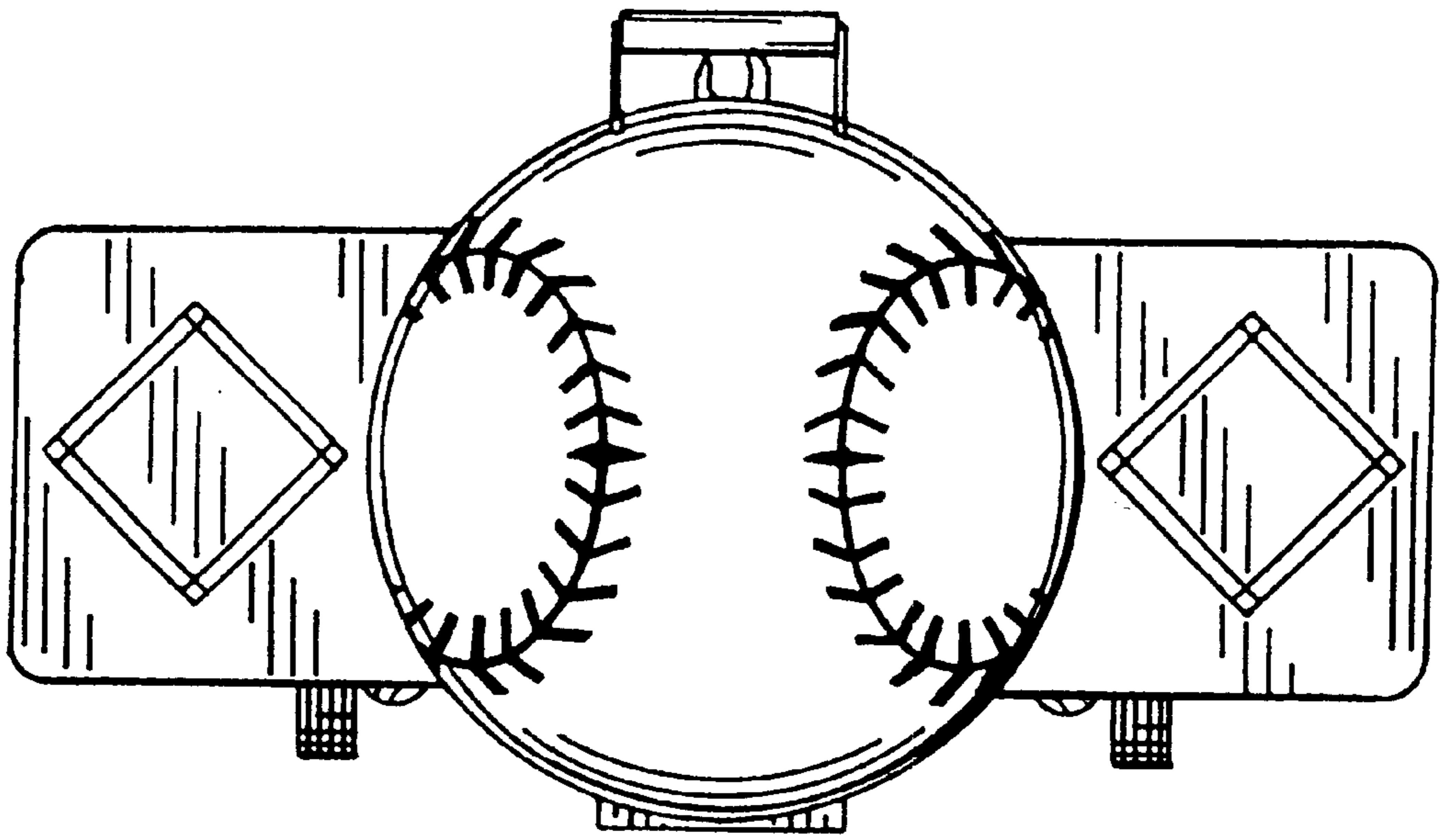


FIG. 1

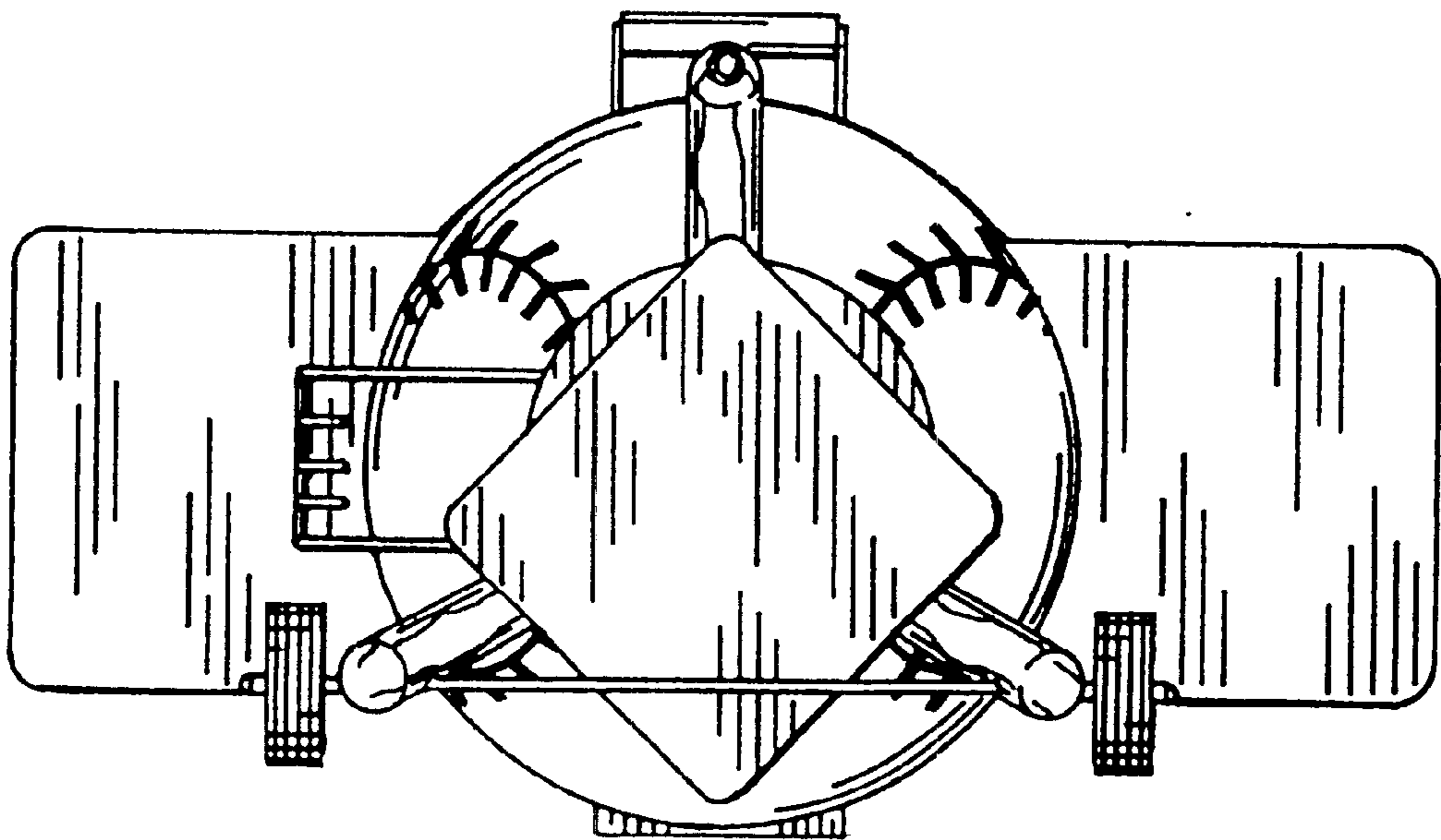


FIG. 2

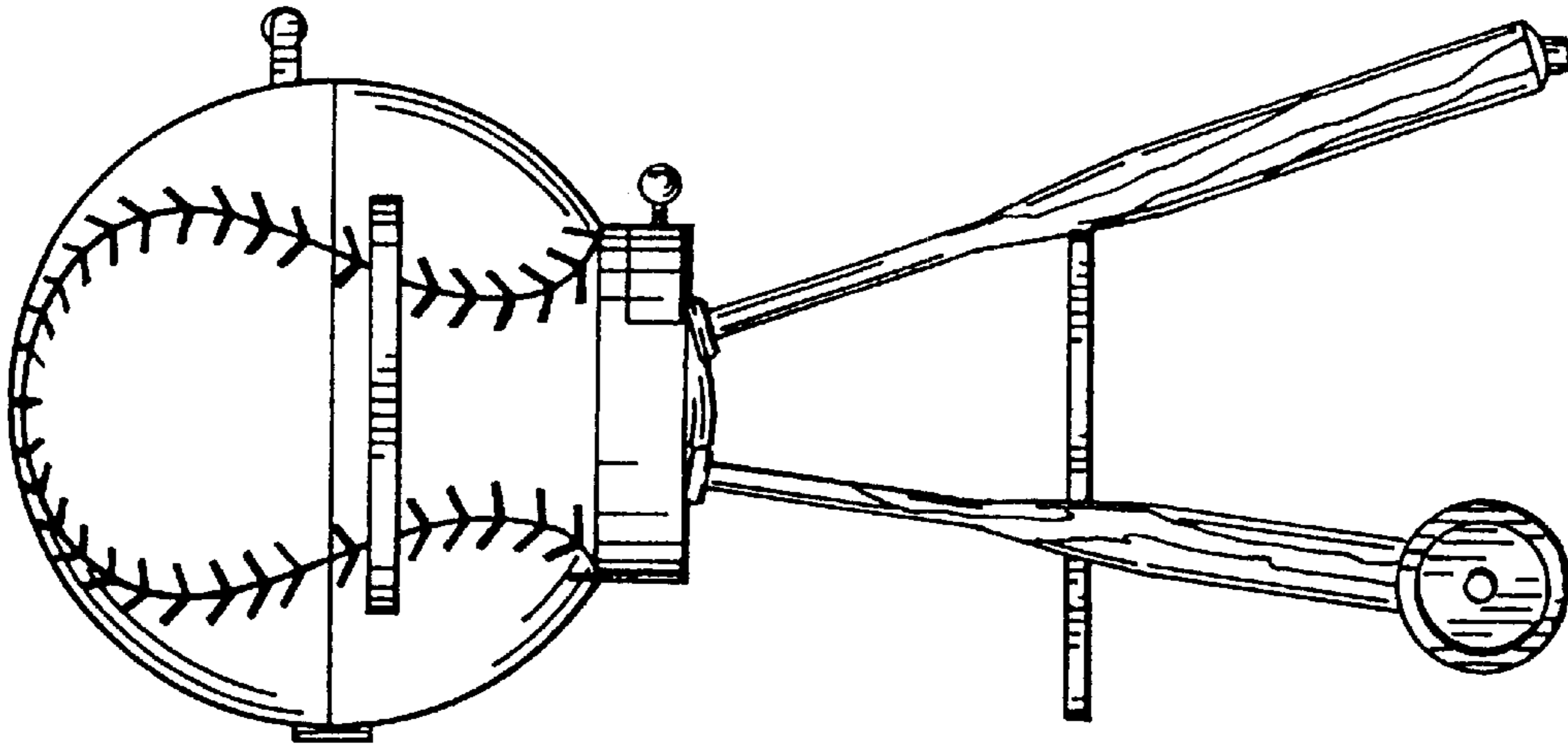


FIG. 3

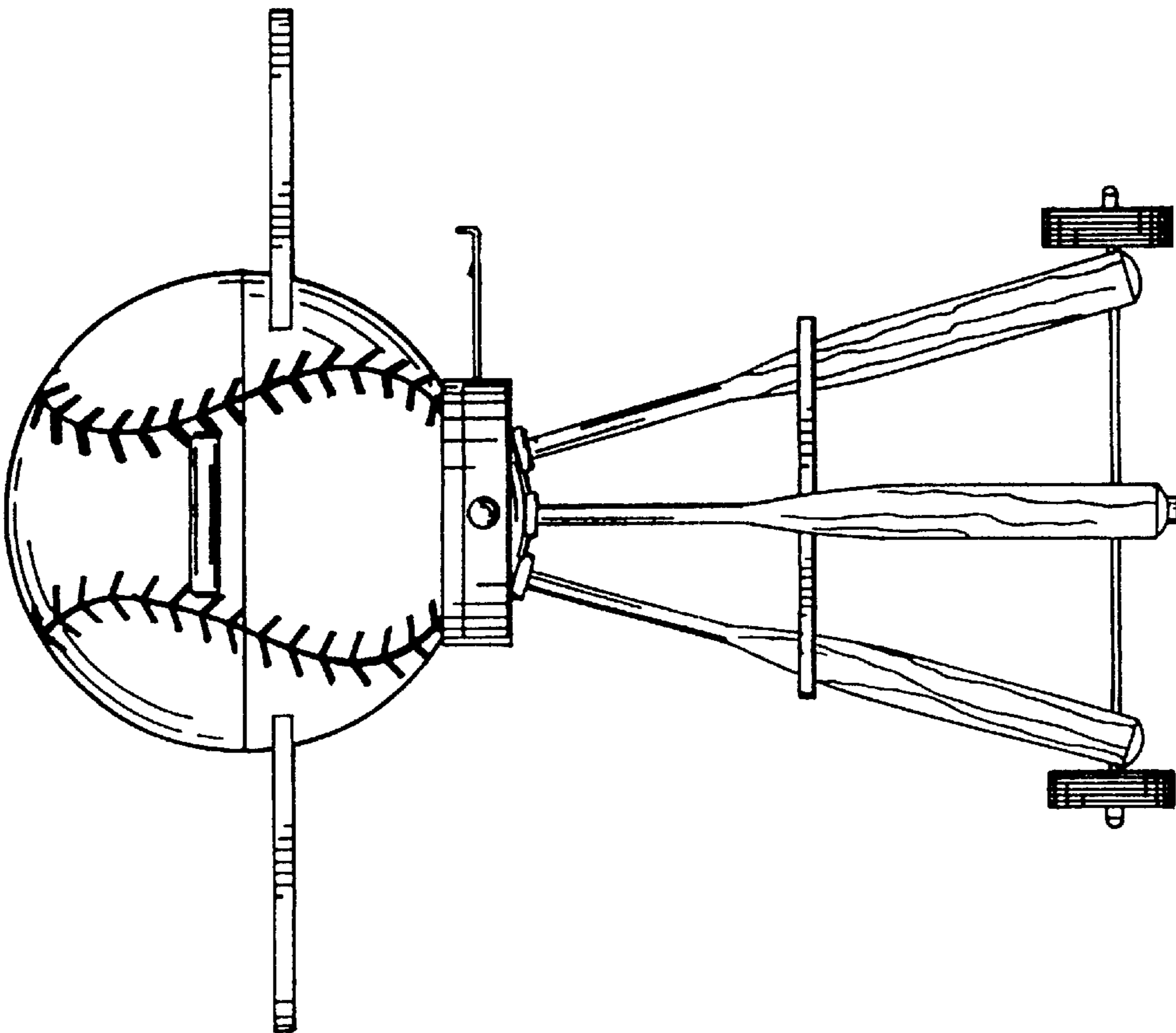


FIG. 5

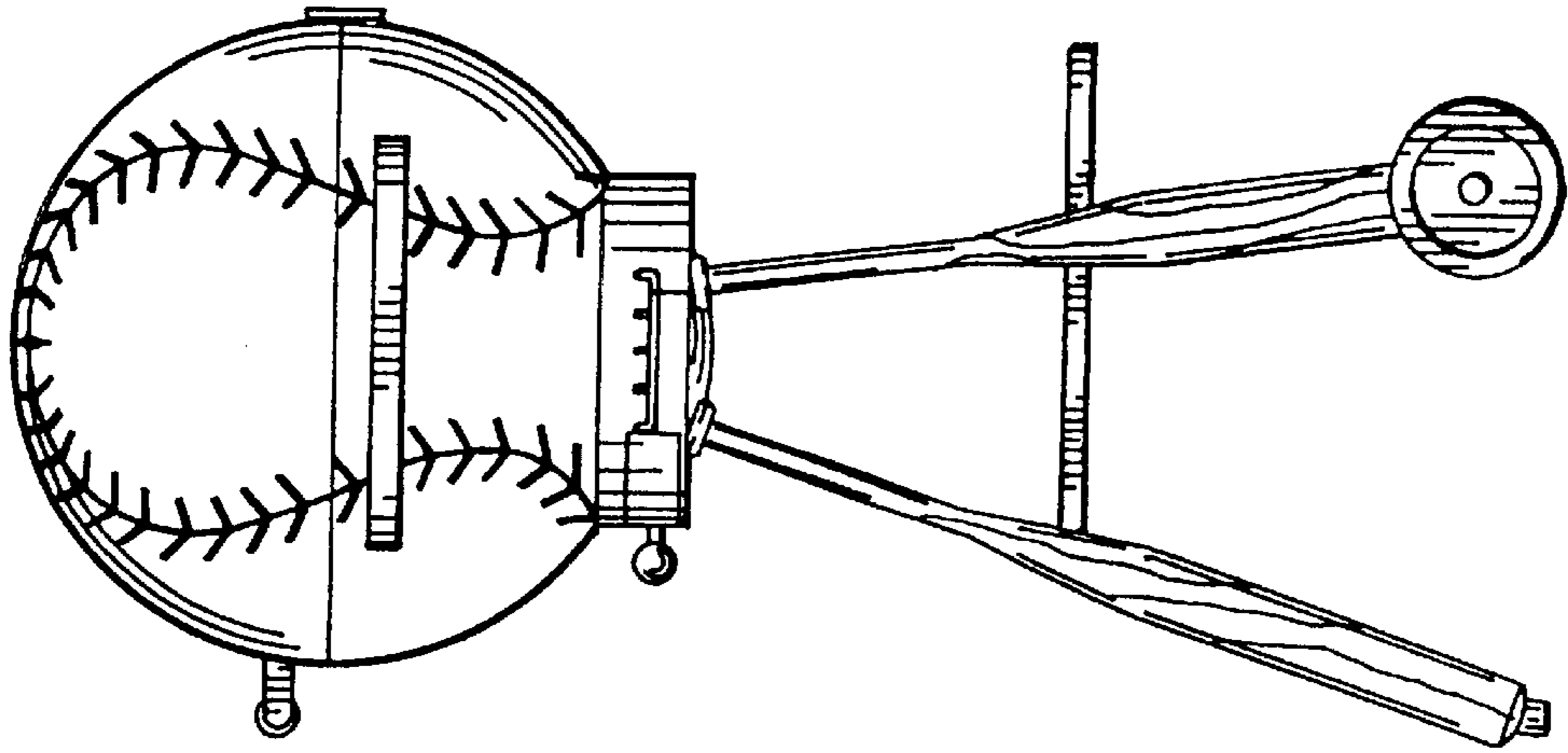


FIG. 4

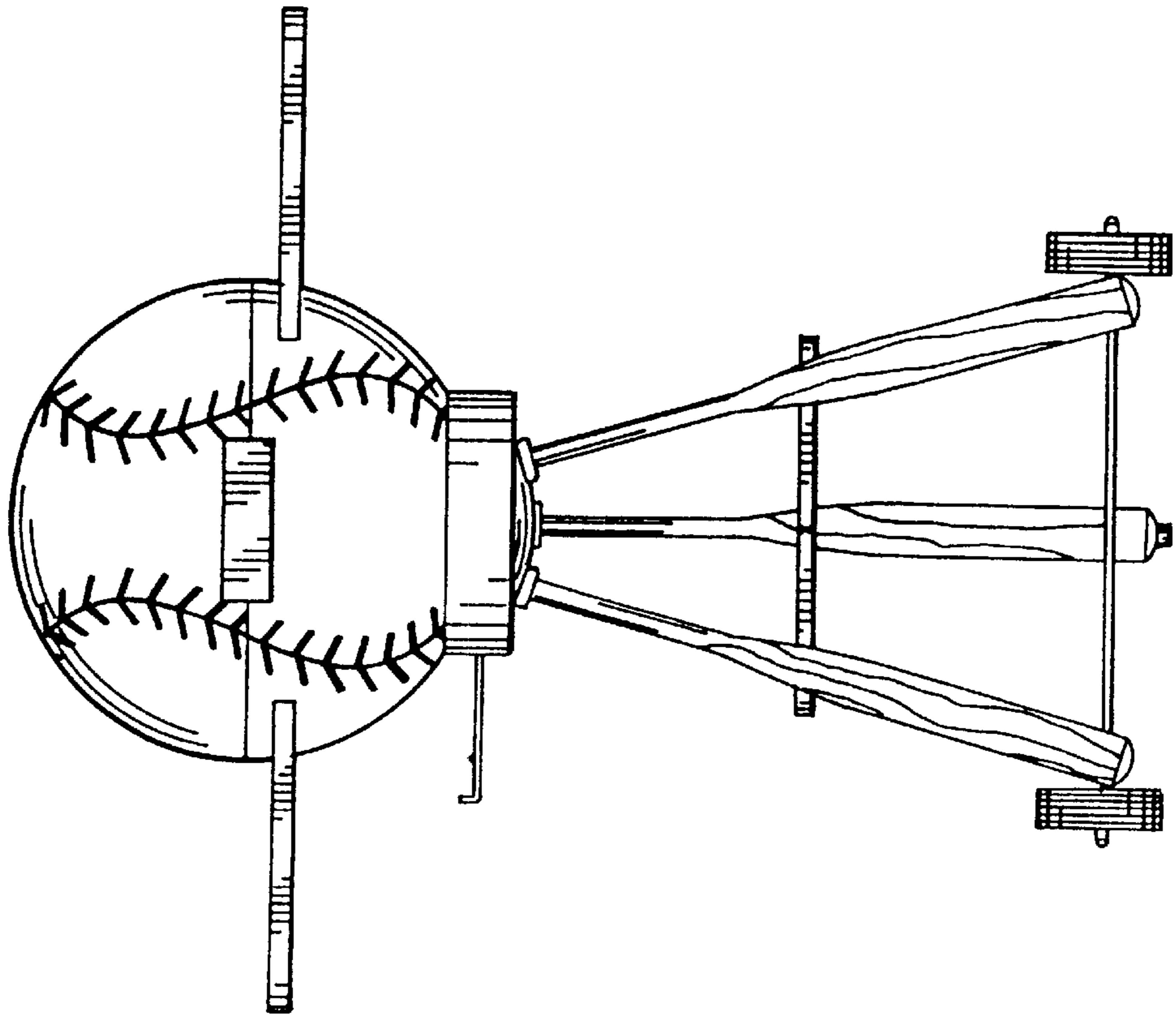


FIG. 6