



US00D465122S

(12) **United States Design Patent**  
**Bouhuys et al.**

(10) **Patent No.:** **US D465,122 S**

(45) **Date of Patent:** **\*\* Nov. 5, 2002**

(54) **ELECTRIC WATER KETTLE**

(75) **Inventors:** **Louis Johan Bouhuys**, Groningen (NL); **Oscar Enrique Peña Angarita**, London (GB)

(73) **Assignee:** **Koninklijke Philips Electronics N.V.**, Eindhoven (NL)

(\*\*) **Term:** **14 Years**

(21) **Appl. No.:** **29/157,365**

(22) **Filed:** **Mar. 18, 2002**

(30) **Foreign Application Priority Data**

Sep. 18, 2001 (XH) ..... DMA/005 444

(51) **LOC (7) Cl.** ..... **07-01**

(52) **U.S. Cl.** ..... **D7/321; D7/312**

(58) **Field of Search** ..... **D7/312, 322, 321, D7/302, 320; 222/472; 177/149**

(56) **References Cited**

**U.S. PATENT DOCUMENTS**

D97,482 S	*	11/1935	Guild	.....	D7/321
D115,928 S	*	8/1939	Kircher	.....	D7/322
D153,816 S	*	5/1949	Mortrude	.....	D7/321
3,091,302 A	*	5/1963	Wolven	.....	177/149
D260,719 S	*	9/1981	Otake	.....	D7/321

D265,621 S	*	8/1982	Urich	.....	D7/321
D276,120 S	*	10/1984	Solomon	.....	D7/312
D285,521 S	*	9/1986	Urich	.....	D7/321
D343,984 S	*	2/1994	Lin	.....	D7/320
D360,101 S	*	7/1995	Lee	.....	D7/322
5,490,616 A	*	2/1996	Stowell et al.	.....	222/472
D376,721 S	*	12/1996	Chen	.....	D7/321
D380,929 S	*	7/1997	Wheeler	.....	D7/322
D380,930 S	*	7/1997	Wheeler	.....	D7/322
D395,788 S	*	7/1998	Holland	.....	D7/321
D432,851 S	*	10/2000	Hoff et al.	.....	D7/320
D448,963 S	*	10/2001	Shim	.....	D7/322
D454,026 S	*	3/2002	Bodum	.....	D7/321

\* cited by examiner

*Primary Examiner*—M. N. Pandozzi

(74) *Attorney, Agent, or Firm*—Ernestine C. Bartlett

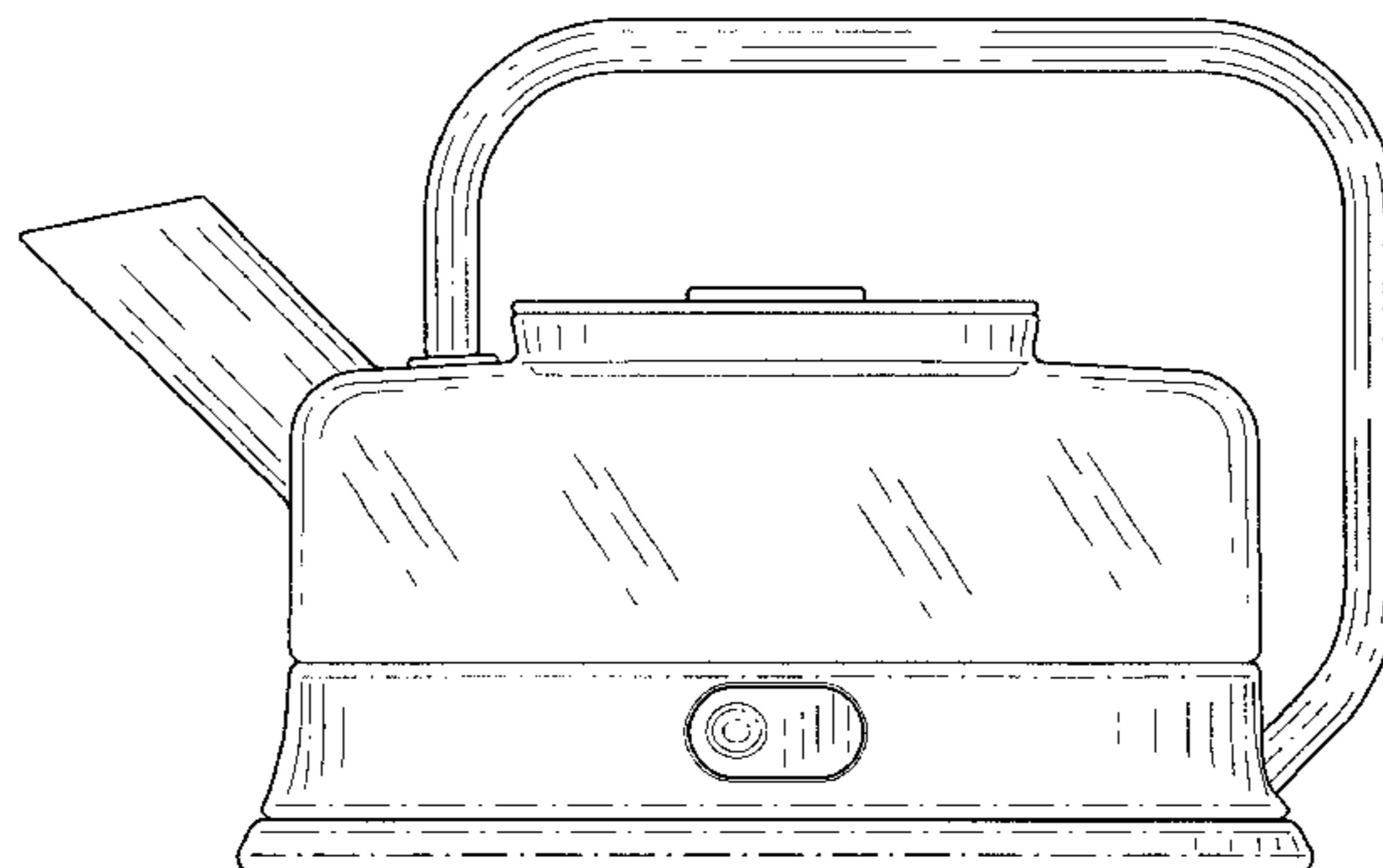
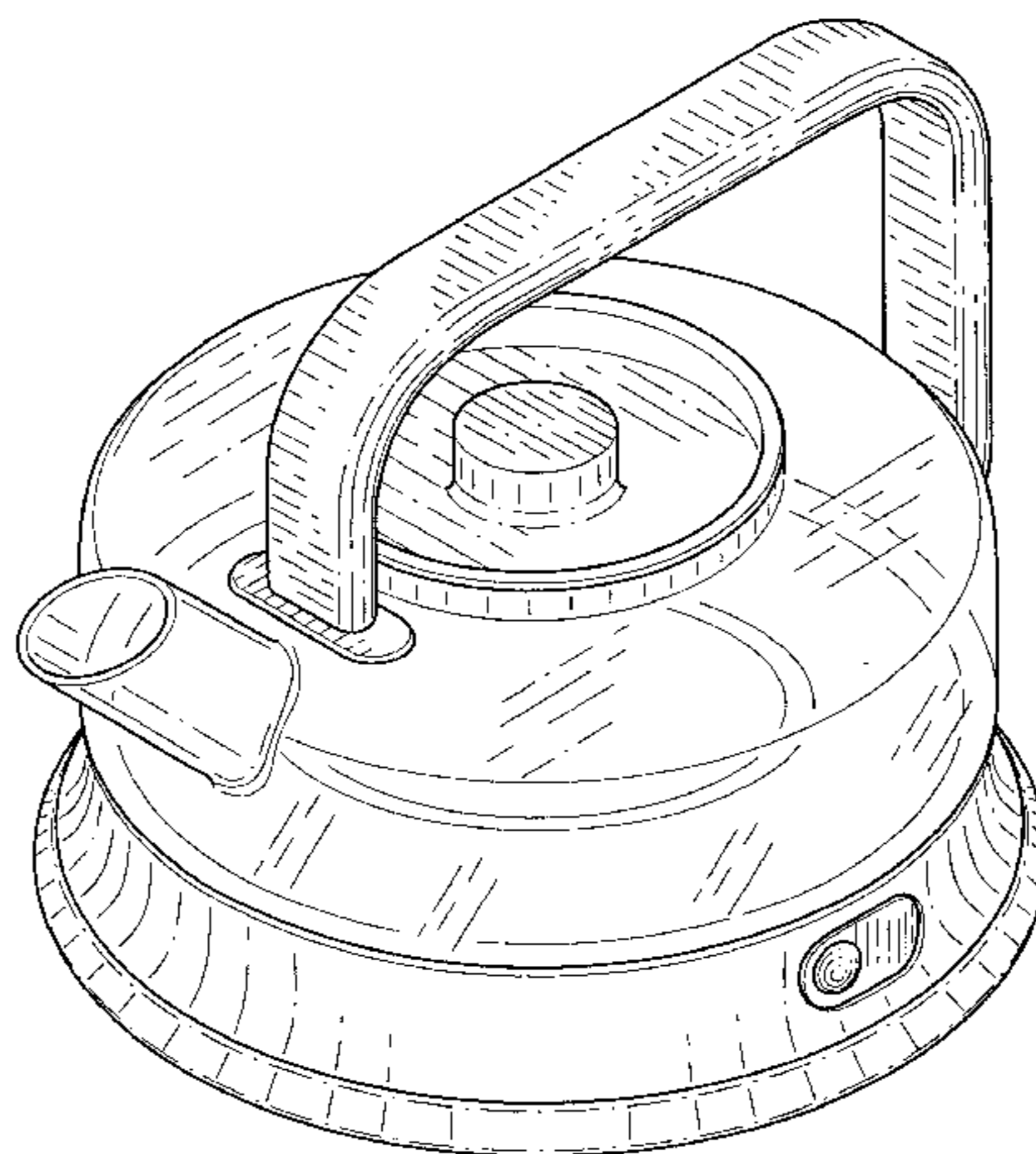
(57) **CLAIM**

The ornamental design for an electric water kettle, as shown.

**DESCRIPTION**

FIG. 1 is a perspective view showing my design; FIG. 2 is a front elevational view thereof; FIG. 3 is a rear elevational view thereof; FIG. 4 is a left side elevational view thereof; FIG. 5 is a right side elevational view thereof; FIG. 6 is a top plan view thereof; and, FIG. 7 is a bottom plan view thereof.

**1 Claim, 5 Drawing Sheets**



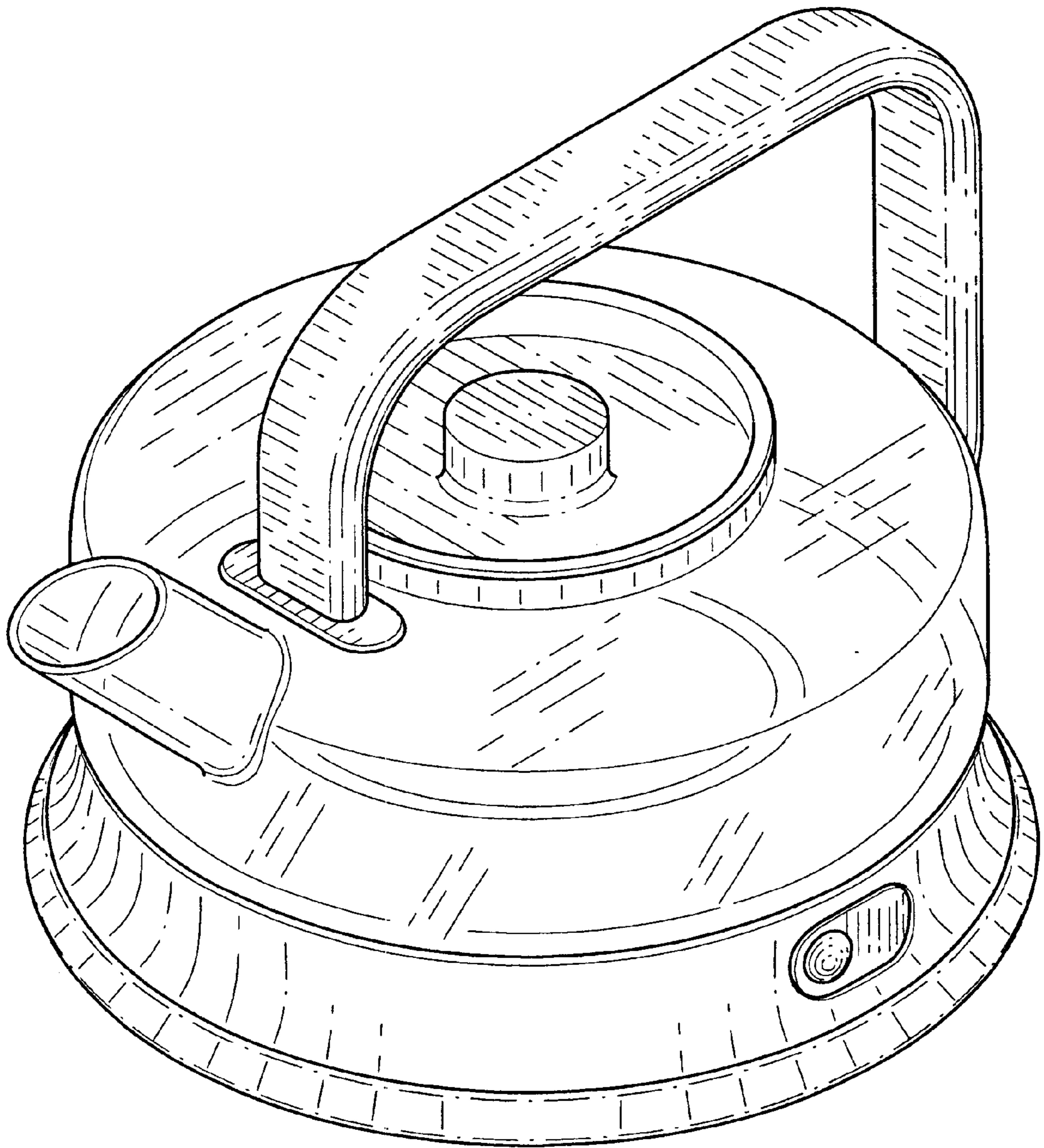


FIG. 1

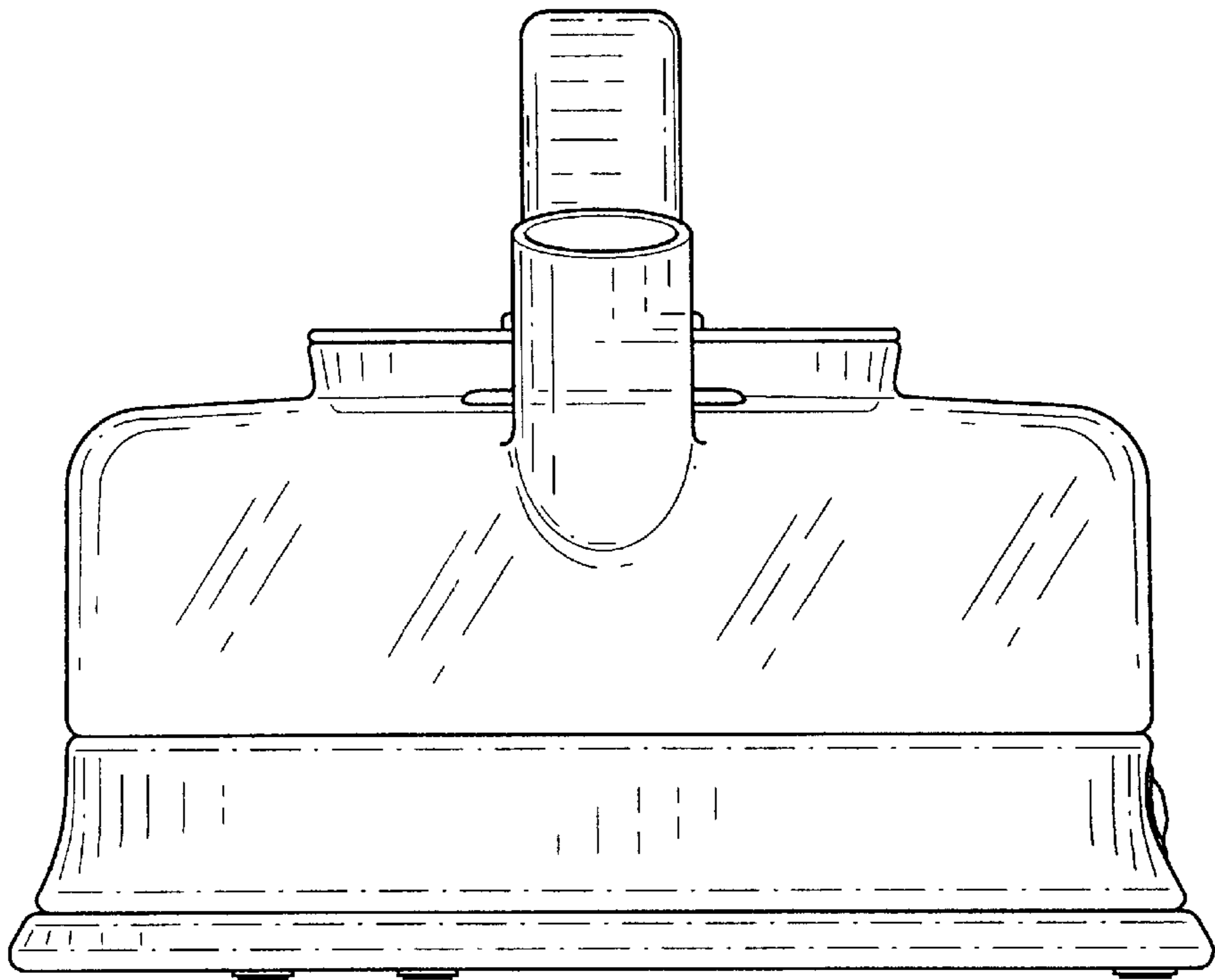


FIG. 2

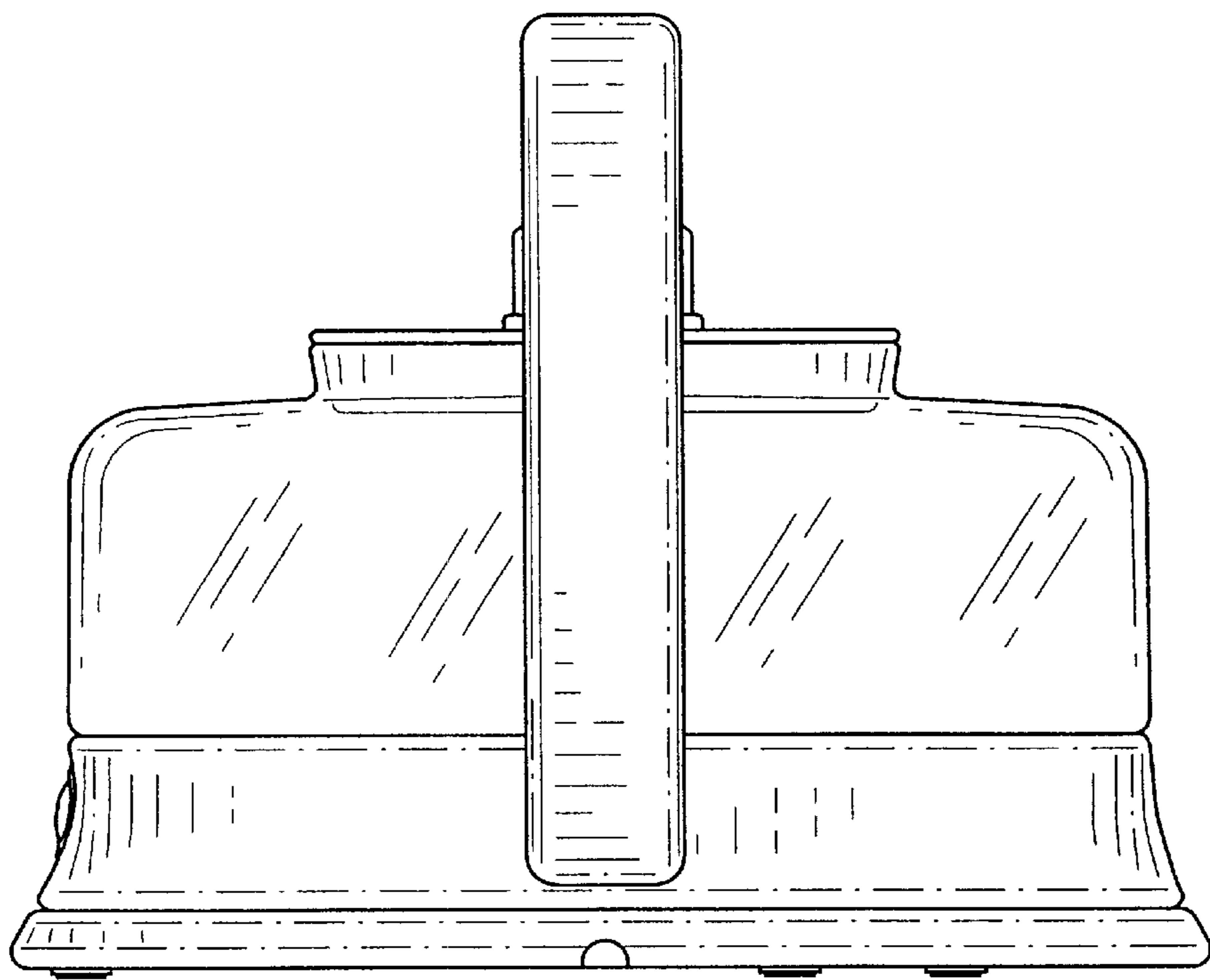


FIG. 3

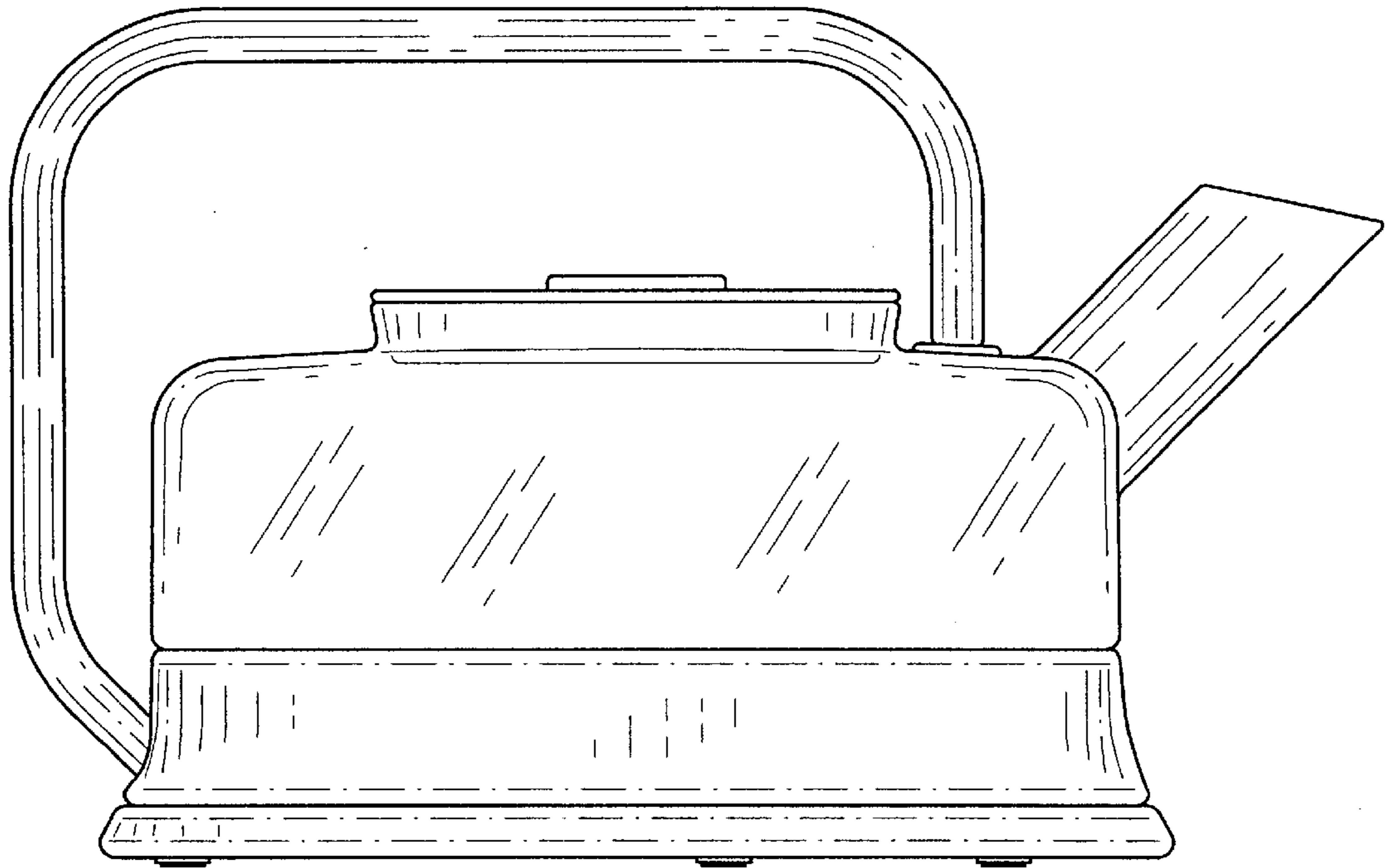


FIG. 4

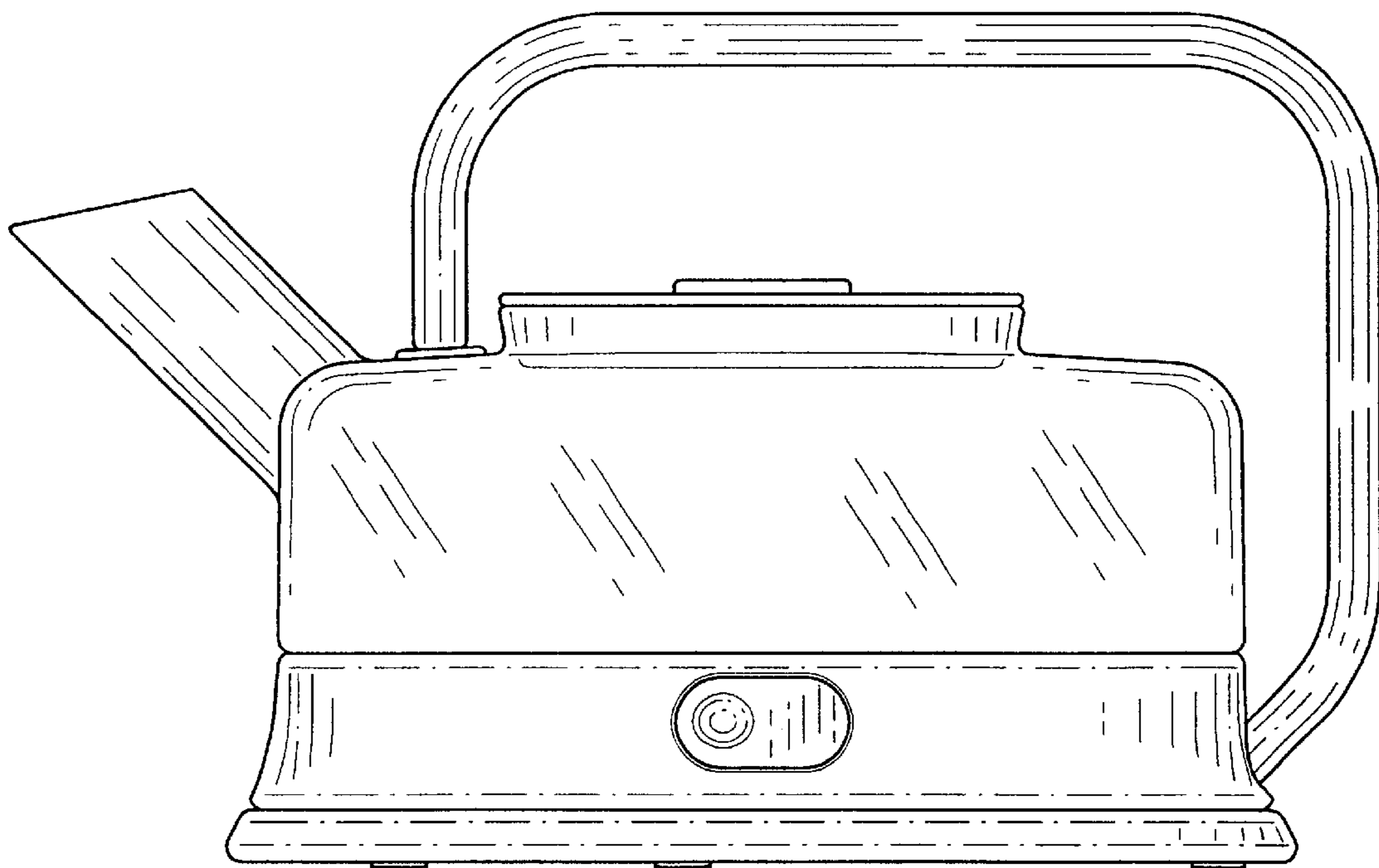


FIG. 5

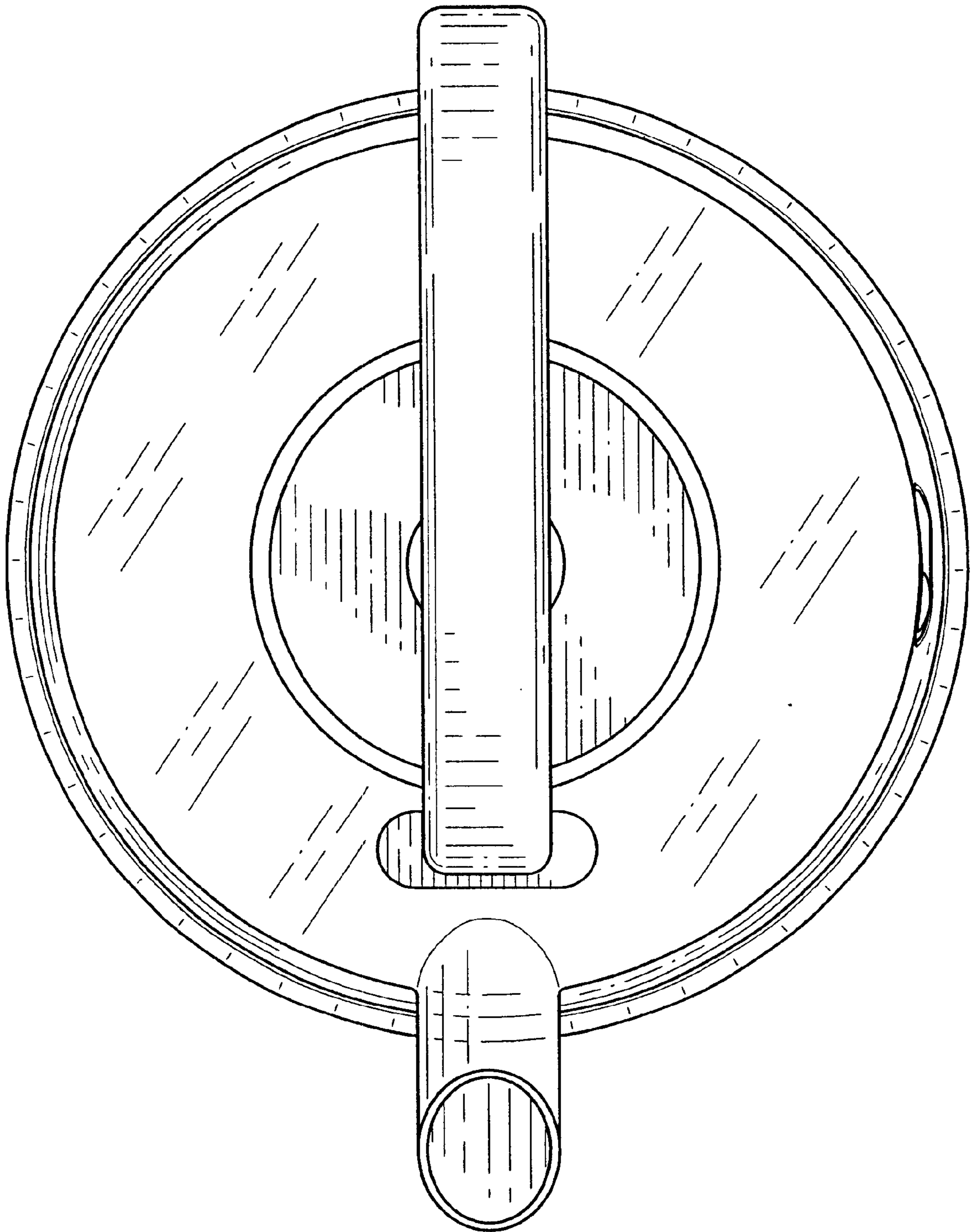


FIG. 6

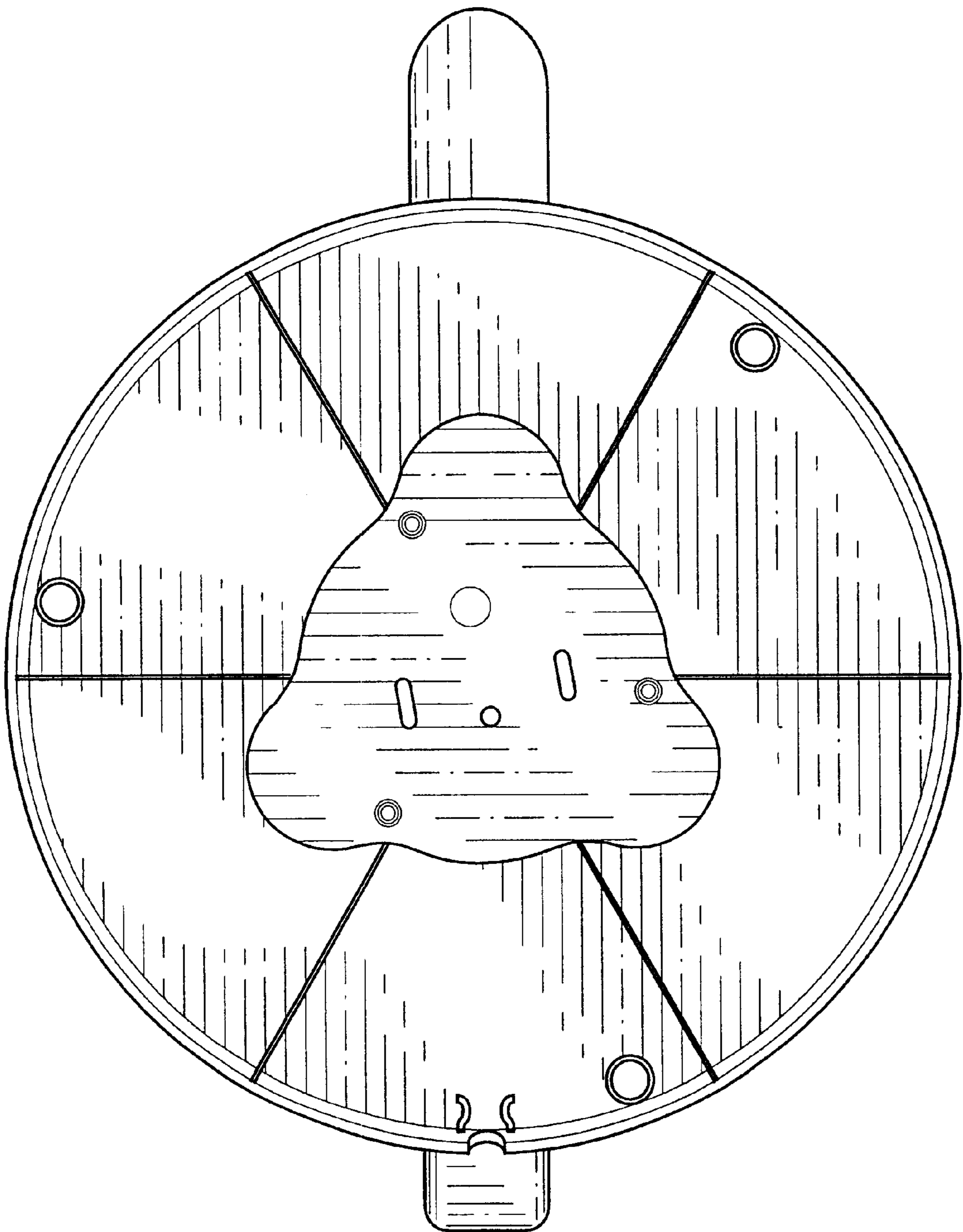


FIG. 7