



US00D465121S

(12) **United States Design Patent**  
**Mulle**

(10) **Patent No.:** **US D465,121 S**

(45) **Date of Patent:** **\*\* Nov. 5, 2002**

(54) **CONTAINER**

(75) **Inventor:** **Theodore B. Mulle**, New Milford, CT (US)

(73) **Assignee:** **Conair CIP, Inc.**, Stamford, CT (US)

(\*\*) **Term:** **14 Years**

(21) **Appl. No.:** **29/153,590**

(22) **Filed:** **Jan. 9, 2002**

(51) **LOC (7) Cl.** ..... **07-01**

(52) **U.S. Cl.** ..... **D7/319; D7/317**

(58) **Field of Search** ..... D7/316, 317, 318,  
D7/319, 312; 222/472, 475.1, 465.1, 570;  
99/295, 297

(56) **References Cited**

**U.S. PATENT DOCUMENTS**

4,344,549 A	8/1982	Paradis et al. ....	222/465 A
4,482,083 A	11/1984	Beck .....	222/500
4,739,898 A	4/1988	Brown .....	220/203
4,927,922 A	5/1990	Johnson .....	141/346
4,930,687 A	6/1990	Brindopke et al. ....	222/475.1
5,038,959 A	8/1991	Patel .....	220/366
5,110,016 A	5/1992	Heimann et al. ....	222/475.1
D326,791 S	* 6/1992	Rixen .....	D7/317
D346,525 S	* 5/1994	Littmann .....	D7/317
5,379,925 A	* 1/1995	Mothrath .....	222/475.1
5,480,054 A	1/1996	Midden .....	220/202
D369,058 S	* 4/1996	Simmons .....	D7/319
5,653,362 A	8/1997	Patel .....	222/156
5,699,719 A	12/1997	Lucas et al. ....	99/299
D389,369 S	1/1998	Hippen .....	D7/319

D411,404 S	* 6/1999	Littmann .....	D7/319
5,911,345 A	6/1999	Castleberry .....	222/482
D414,071 S	* 9/1999	Mork et al. ....	D7/319
5,968,618 A	10/1999	Miller .....	428/34.6
5,988,457 A	11/1999	Andrew et al. ....	222/475.1
D419,028 S	* 1/2000	Mork et al. ....	D7/321
D438,420 S	* 3/2001	Rolfes et al. ....	D7/319
D439,466 S	* 3/2001	Bouhuys .....	D7/319
D442,014 S	* 5/2001	Haring et al. ....	D7/319
D454,024 S	* 3/2002	Kling .....	D7/318
D455,314 S	* 4/2002	Choi .....	D7/319

\* cited by examiner

*Primary Examiner*—M. N. Pandozzi

(74) *Attorney, Agent, or Firm*—Ohlandt, Greeley, Ruggiero & Perle, LLP

(57) **CLAIM**

The ornamental design for the container, as shown and described in the accompanying figures.

**DESCRIPTION**

FIG. 1 is a first plan view of a container of the present invention;

FIG. 2 is a second plan view, opposite the first plan view, of the container of FIG. 1;

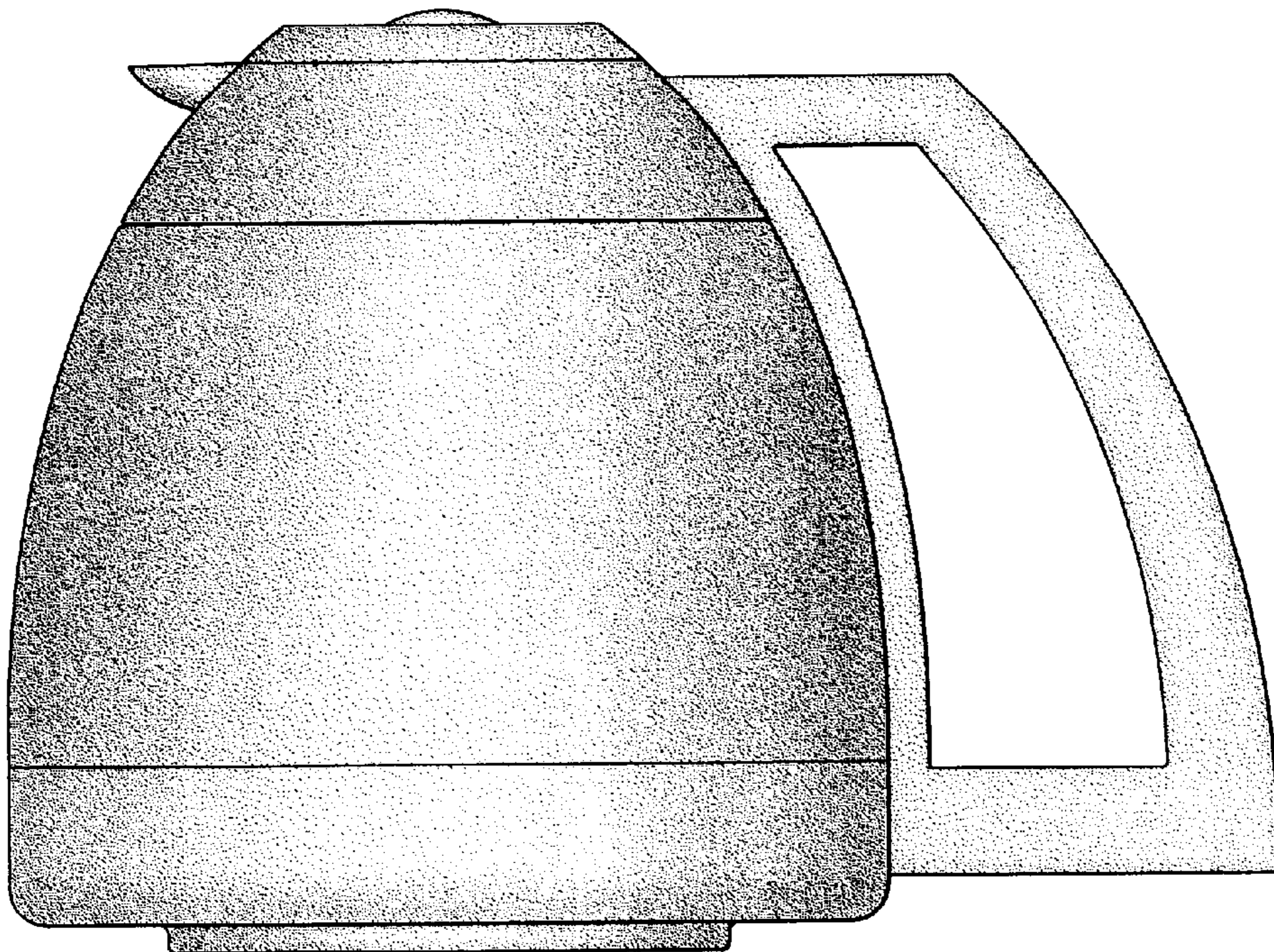
FIG. 3 is a third plan view, ninety degrees of the first plan view, of the container of FIG. 1;

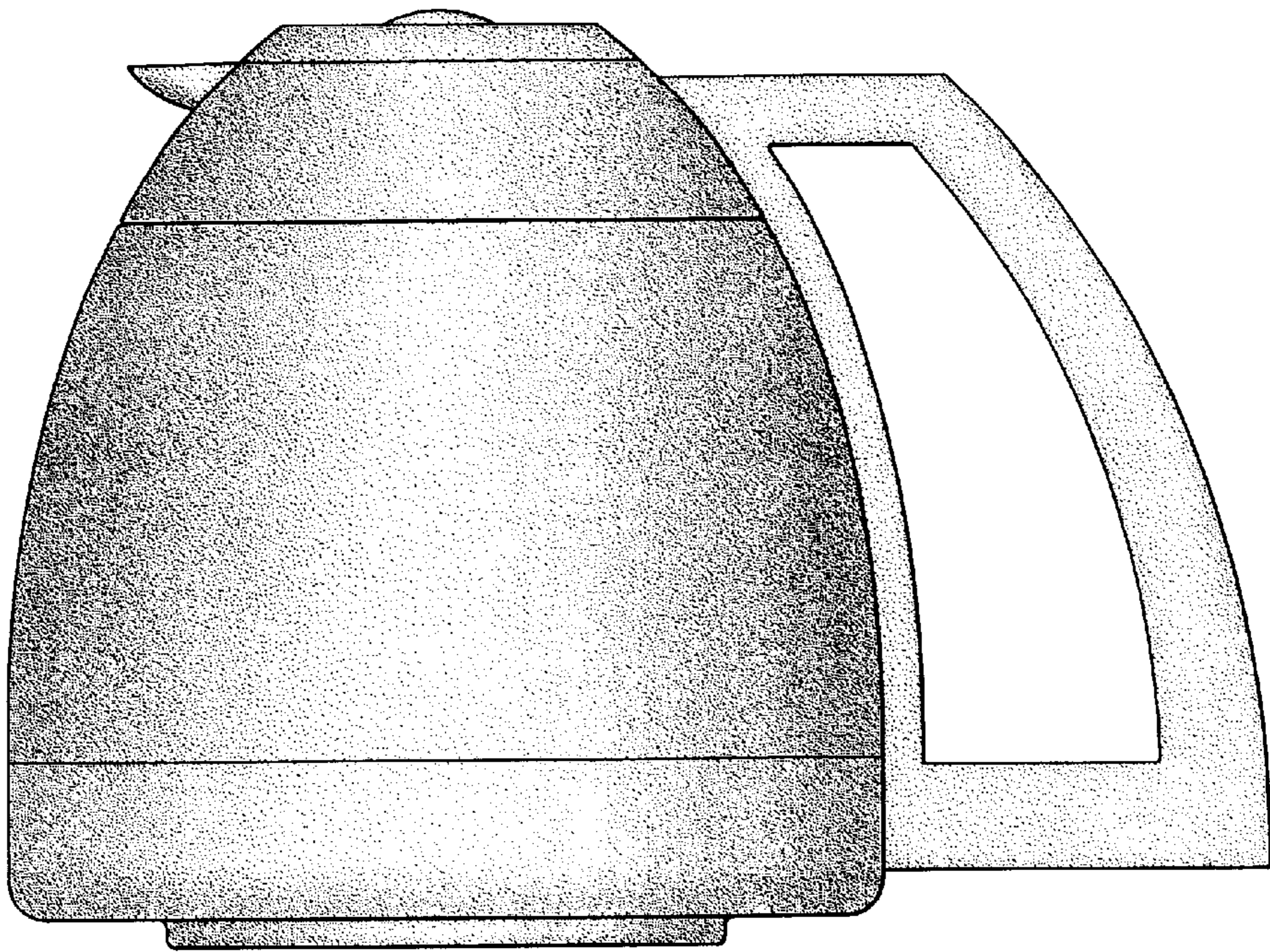
FIG. 4 is a fourth plan view, opposite the third plan view, of the container of FIG. 1;

FIG. 5 is a top view of the container of FIG. 1; and,

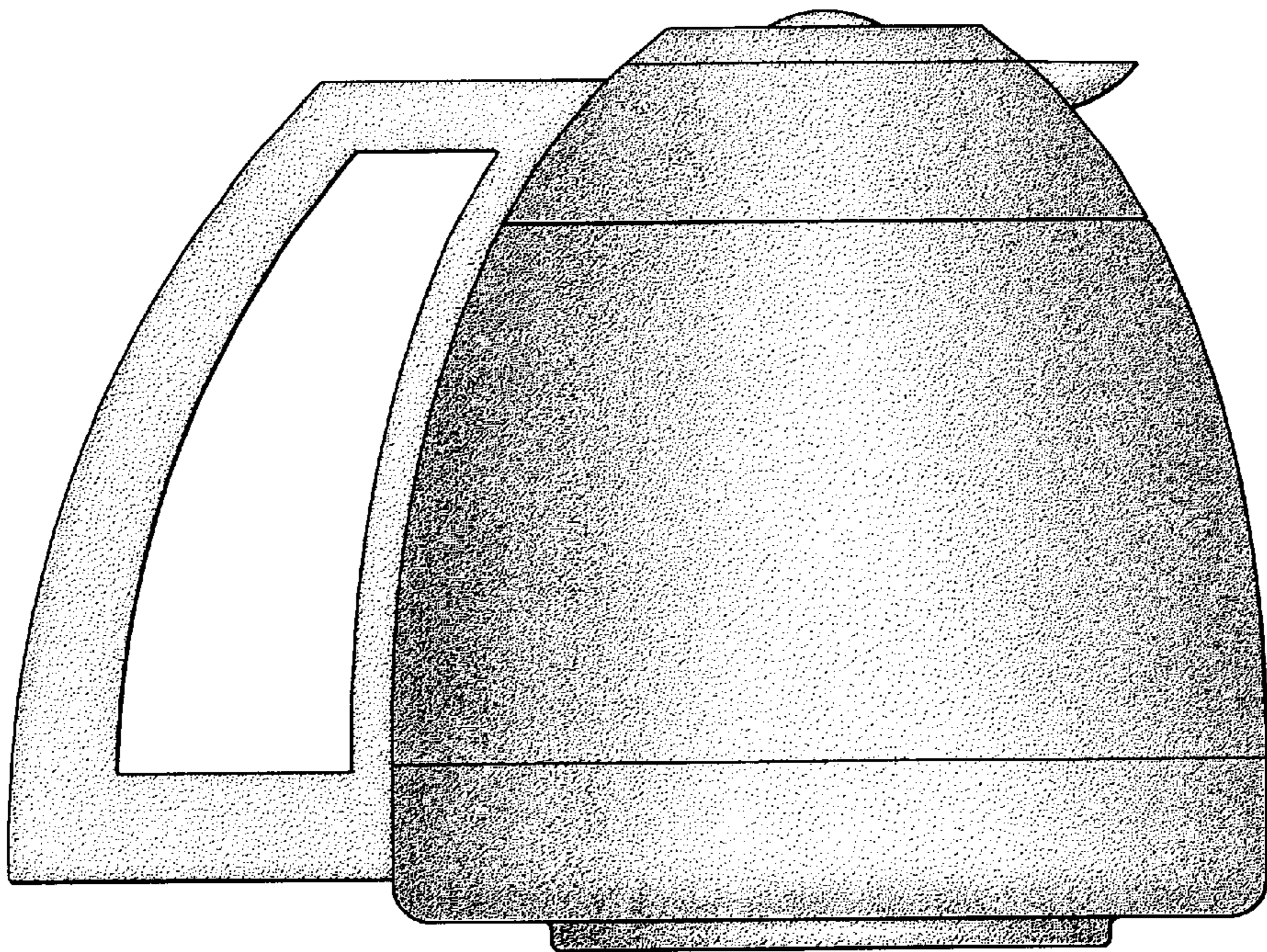
FIG. 6 is a bottom view of the container of FIG. 1.

**1 Claim, 3 Drawing Sheets**

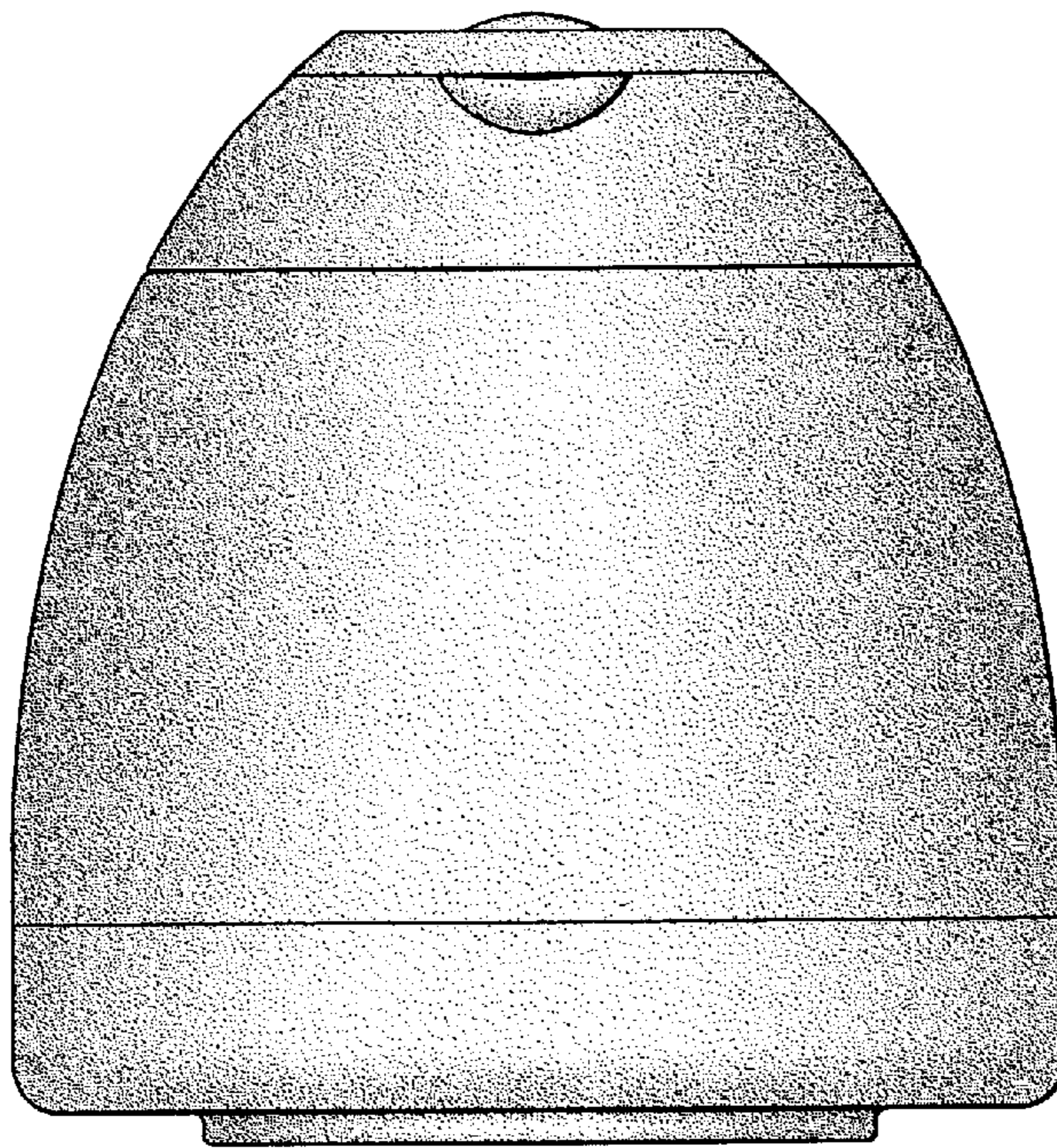




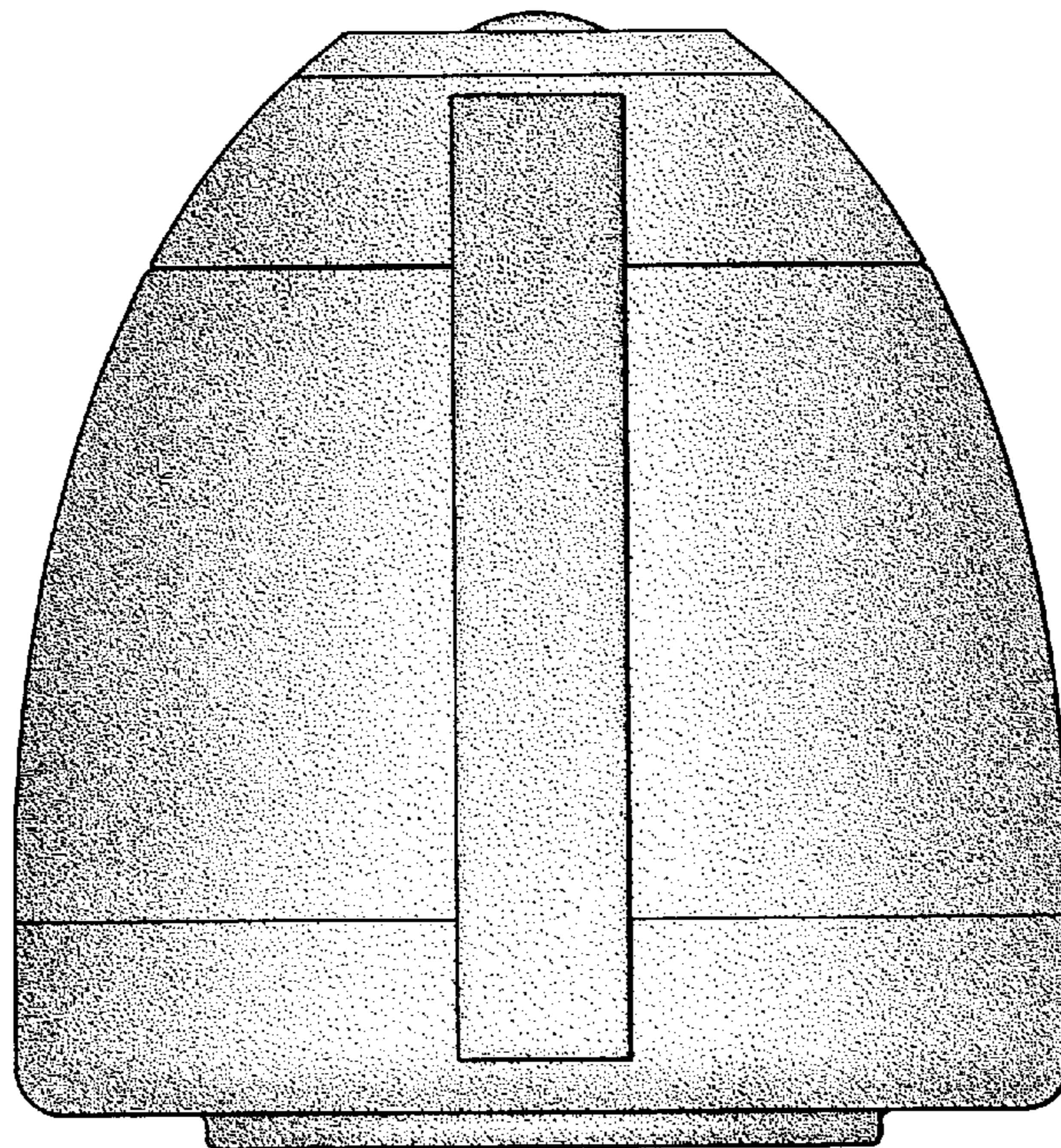
**FIG. 1**



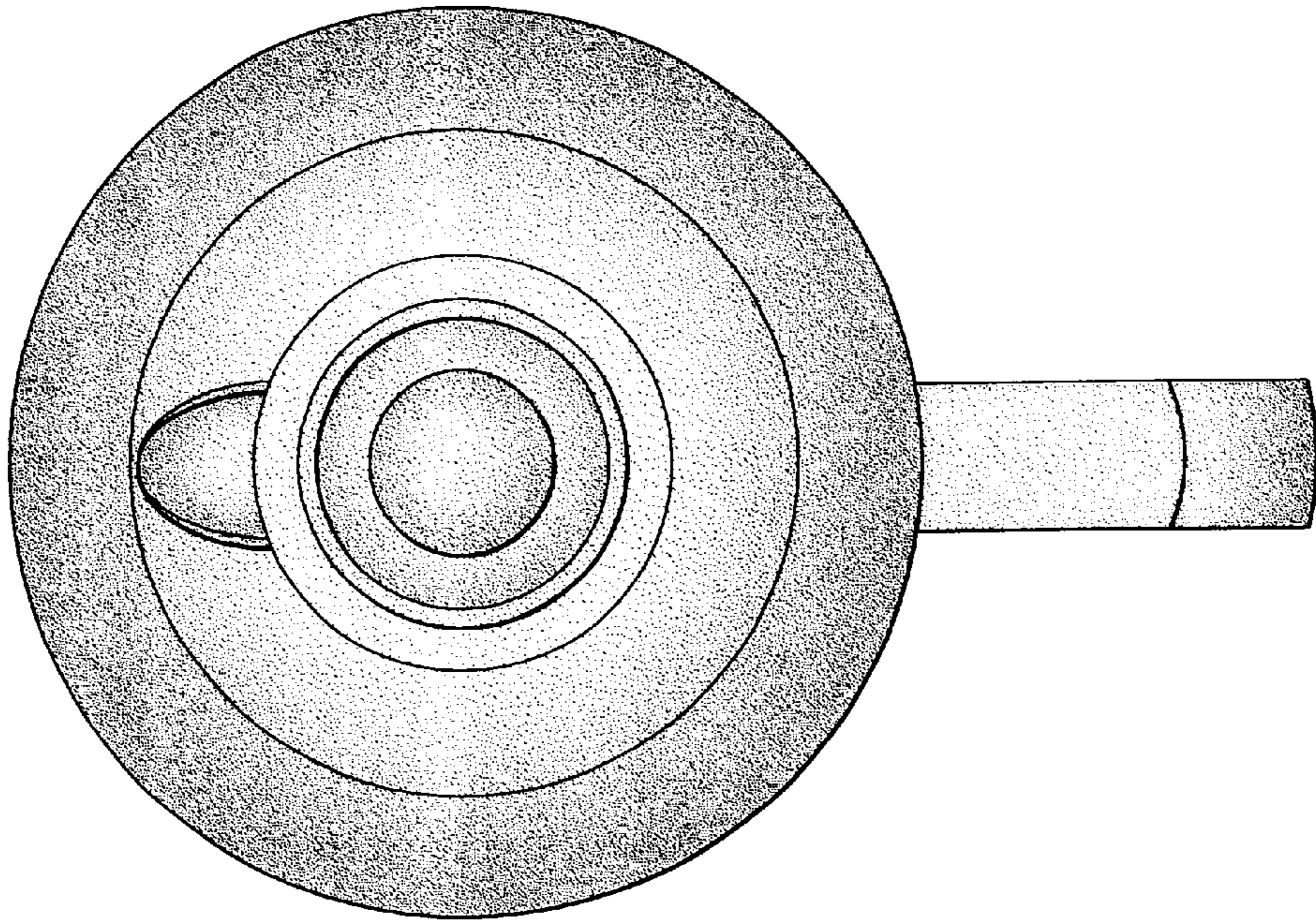
**FIG. 2**



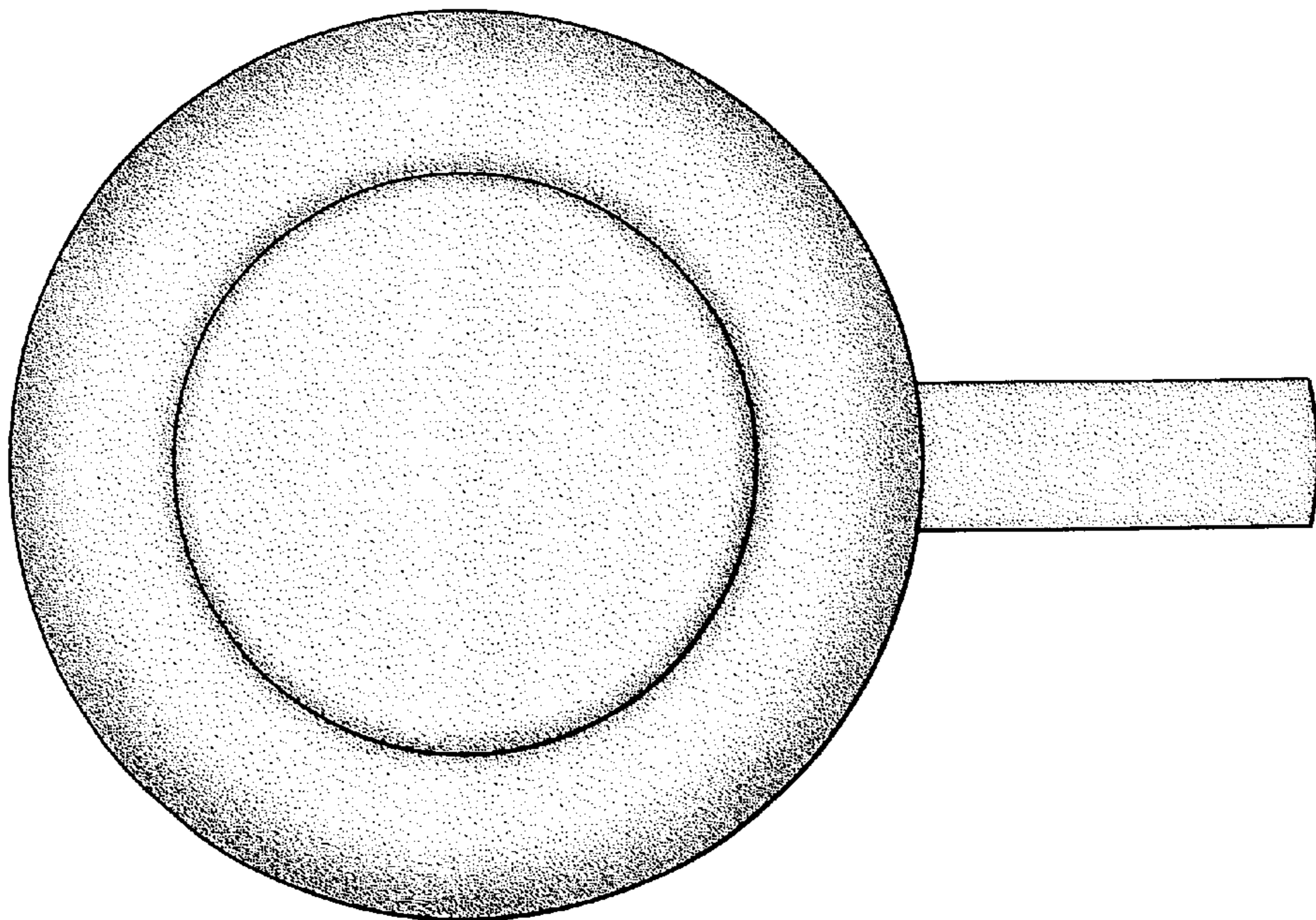
**FIG. 3**



**FIG. 4**



**FIG. 5**



**FIG. 6**