



US00D465120S

(12) **United States Design Patent**  
**Bouhuys et al.**

(10) **Patent No.:** **US D465,120 S**

(45) **Date of Patent:** **\*\* Nov. 5, 2002**

(54) **ELECTRIC COFFEE MAKER**

(75) Inventors: **Louis Johan Bouhuys**, Groningen  
(NL); **Oscar Enrique Pena Angarita**,  
London (GB)

(73) Assignee: **Koninklijke Philips Electronics N.V.**,  
Eindhoven (NL)

(\*\*) Term: **14 Years**

(21) Appl. No.: **29/157,362**

(22) Filed: **Mar. 18, 2002**

(30) **Foreign Application Priority Data**

Sep. 18, 2001 (XH) ..... DMA/005 443

(51) **LOC (7) Cl.** ..... **07-01**

(52) **U.S. Cl.** ..... **D7/309; D7/310; D7/311**

(58) **Field of Search** ..... **D7/309, 310, 311,**  
**D7/305, 312; 99/305, 306, 285, 280, 283,**  
**304, 295**

(56) **References Cited**

**U.S. PATENT DOCUMENTS**

D181,266 S \* 10/1957 Alvarez ..... D7/311 X  
3,853,043 A \* 12/1974 Stavropoulos ..... 99/306

4,083,295 A \* 4/1978 Hollingsworth ..... 99/283  
4,721,034 A \* 1/1988 Shimomura ..... 99/280  
D299,998 S \* 2/1989 Seiffert ..... D7/309  
D336,586 S \* 6/1993 Dingelstad et al. .... D7/309  
D353,296 S \* 12/1994 Assmann ..... D7/309  
D401,108 S \* 11/1998 Pochopien et al. .... D7/309  
D411,705 S \* 6/1999 Littmann ..... D7/309  
D453,278 S \* 2/2002 Chen ..... D7/309  
D453,441 S \* 2/2002 Li ..... D7/309

\* cited by examiner

*Primary Examiner*—M. N. Pandozzi

(74) *Attorney, Agent, or Firm*—Ernestine C. Bartlett

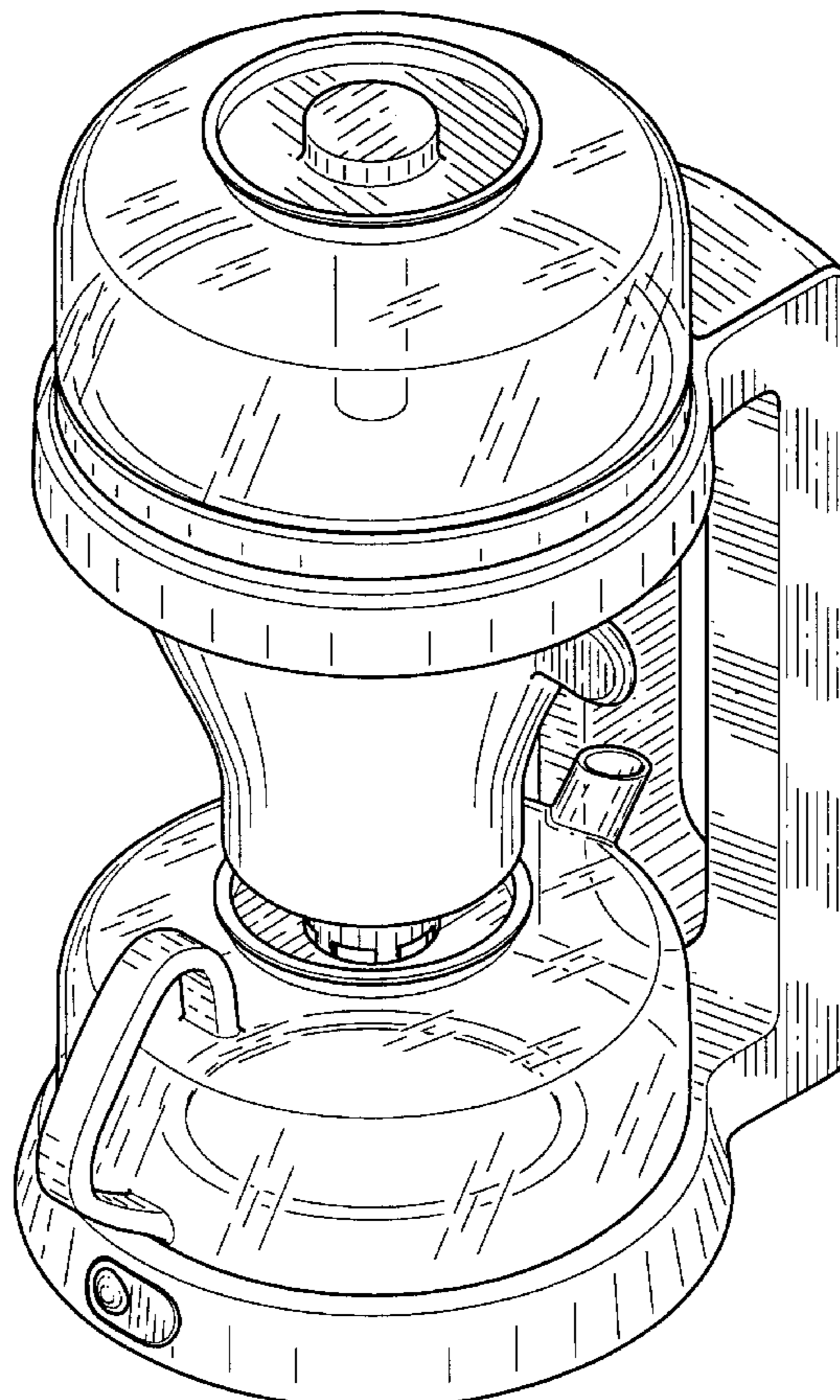
(57) **CLAIM**

The ornamental design for an electric coffee maker, as shown.

**DESCRIPTION**

FIG. 1 is a perspective view showing my design;  
FIG. 2 is a front elevational view thereof;  
FIG. 3 is a rear elevational view thereof;  
FIG. 4 is a right side elevational view thereof;  
FIG. 5 is a left side elevational view thereof;  
FIG. 6 is a top plan view thereof; and,  
FIG. 7 is a bottom plan view thereof.

**1 Claim, 6 Drawing Sheets**



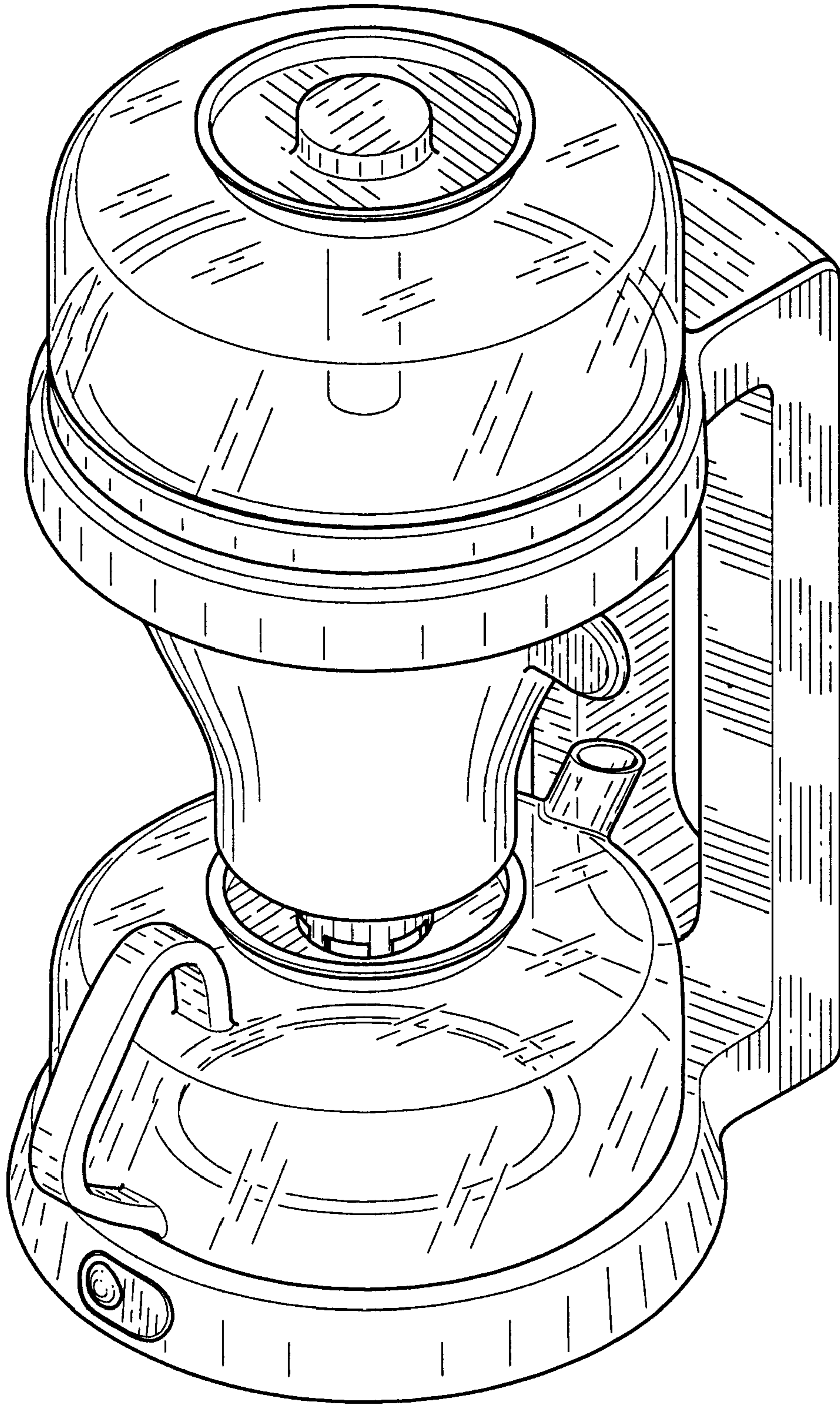


FIG. 1

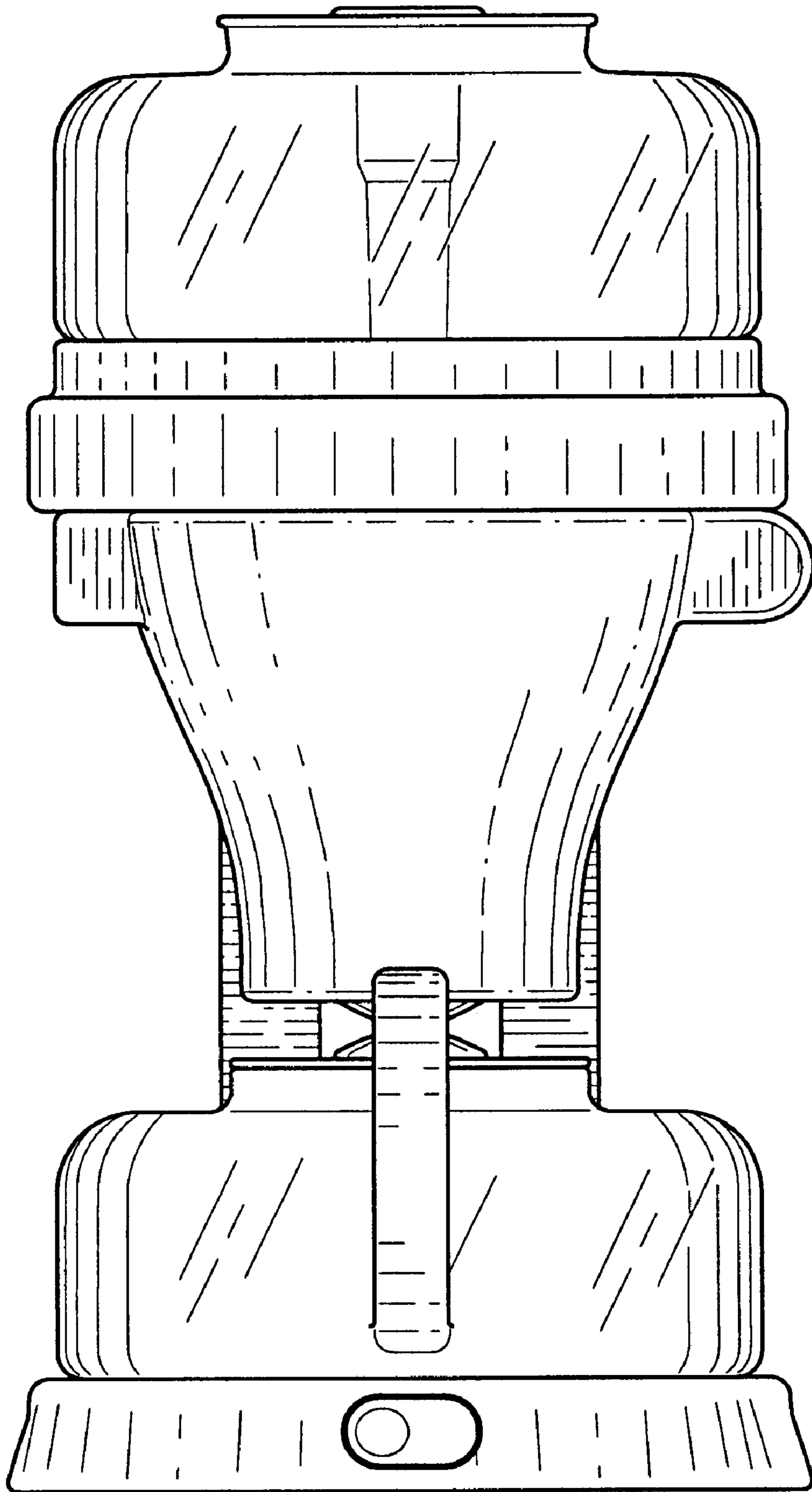


FIG. 2



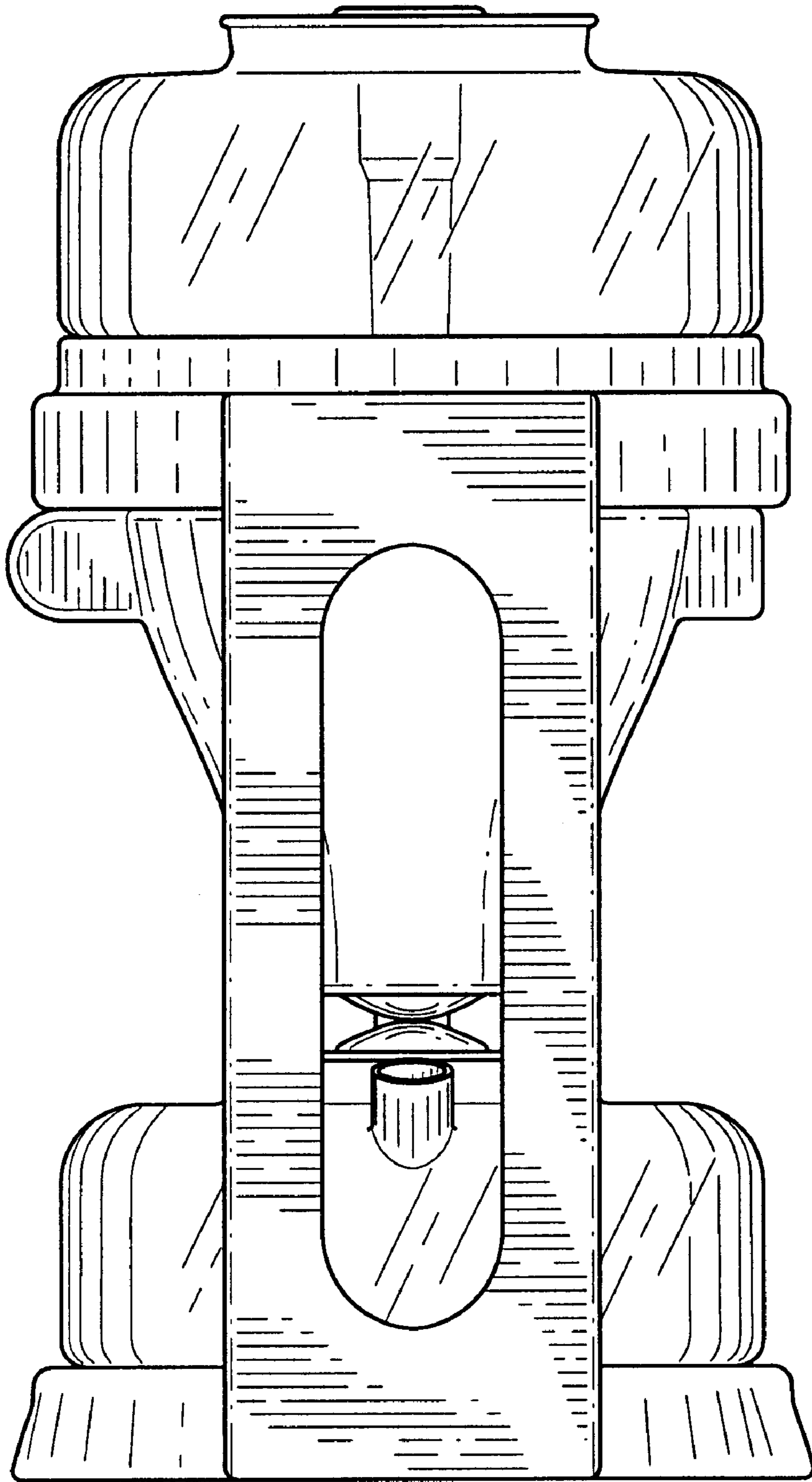


FIG. 3

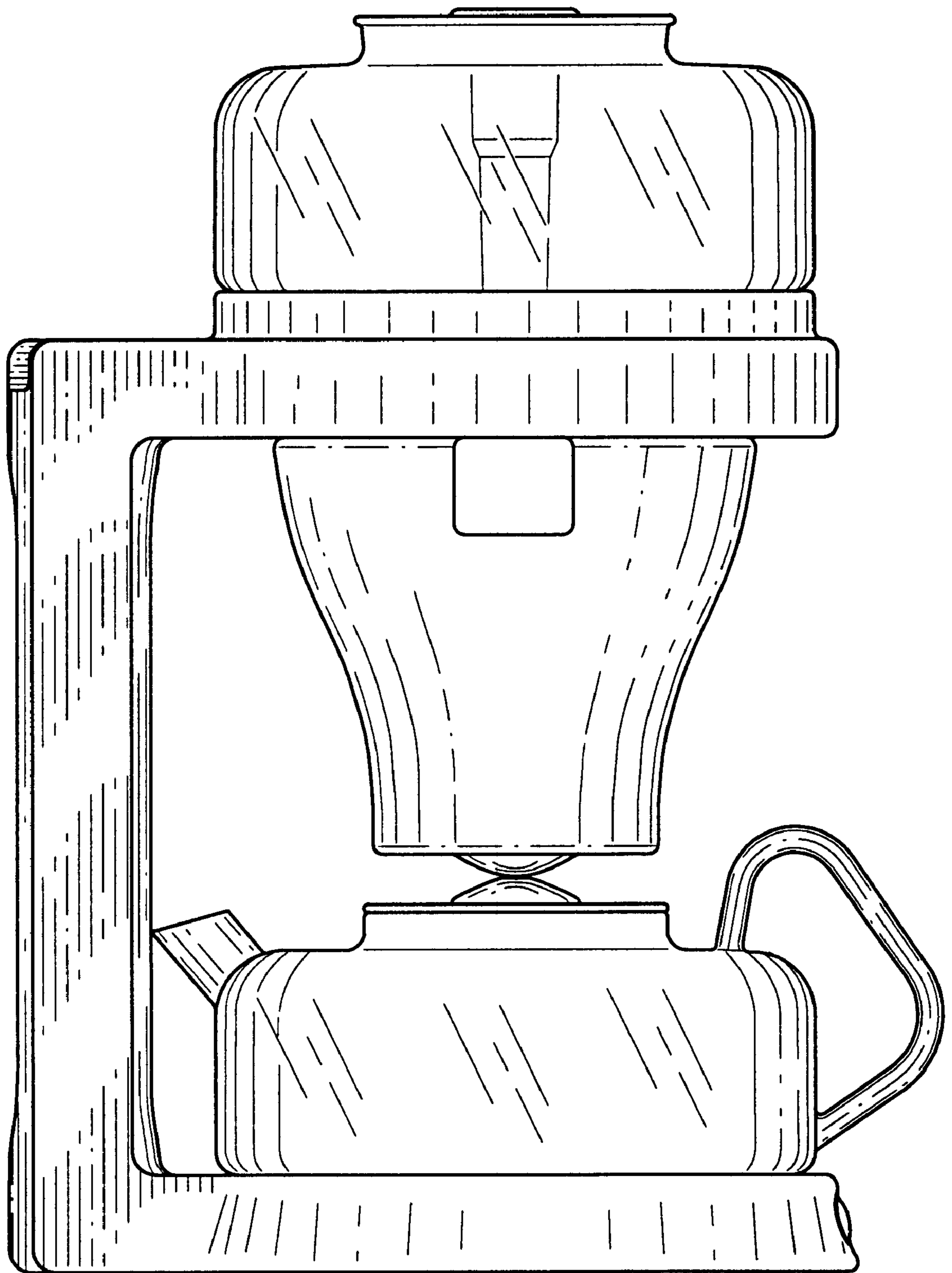


FIG. 4

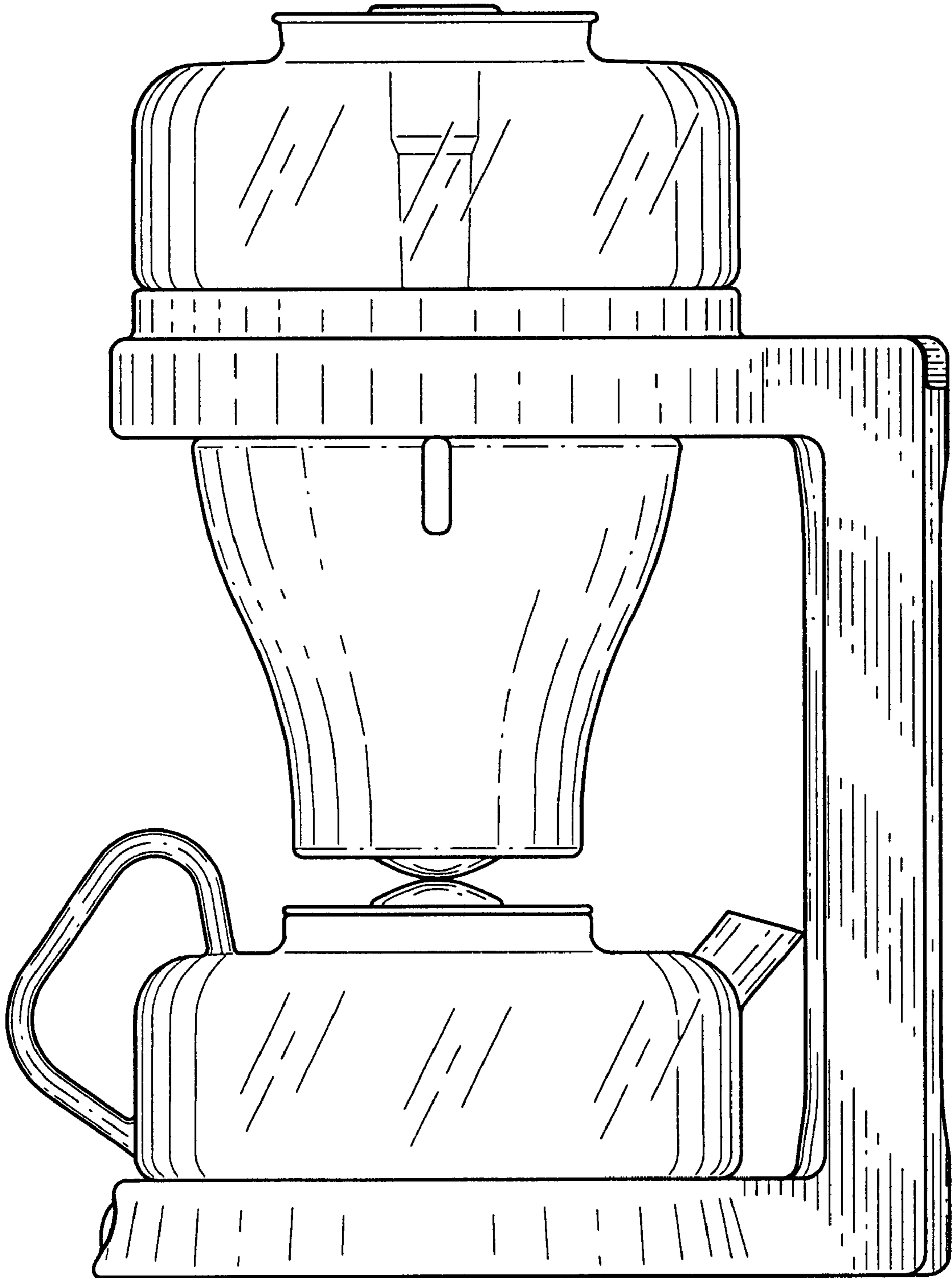


FIG. 5

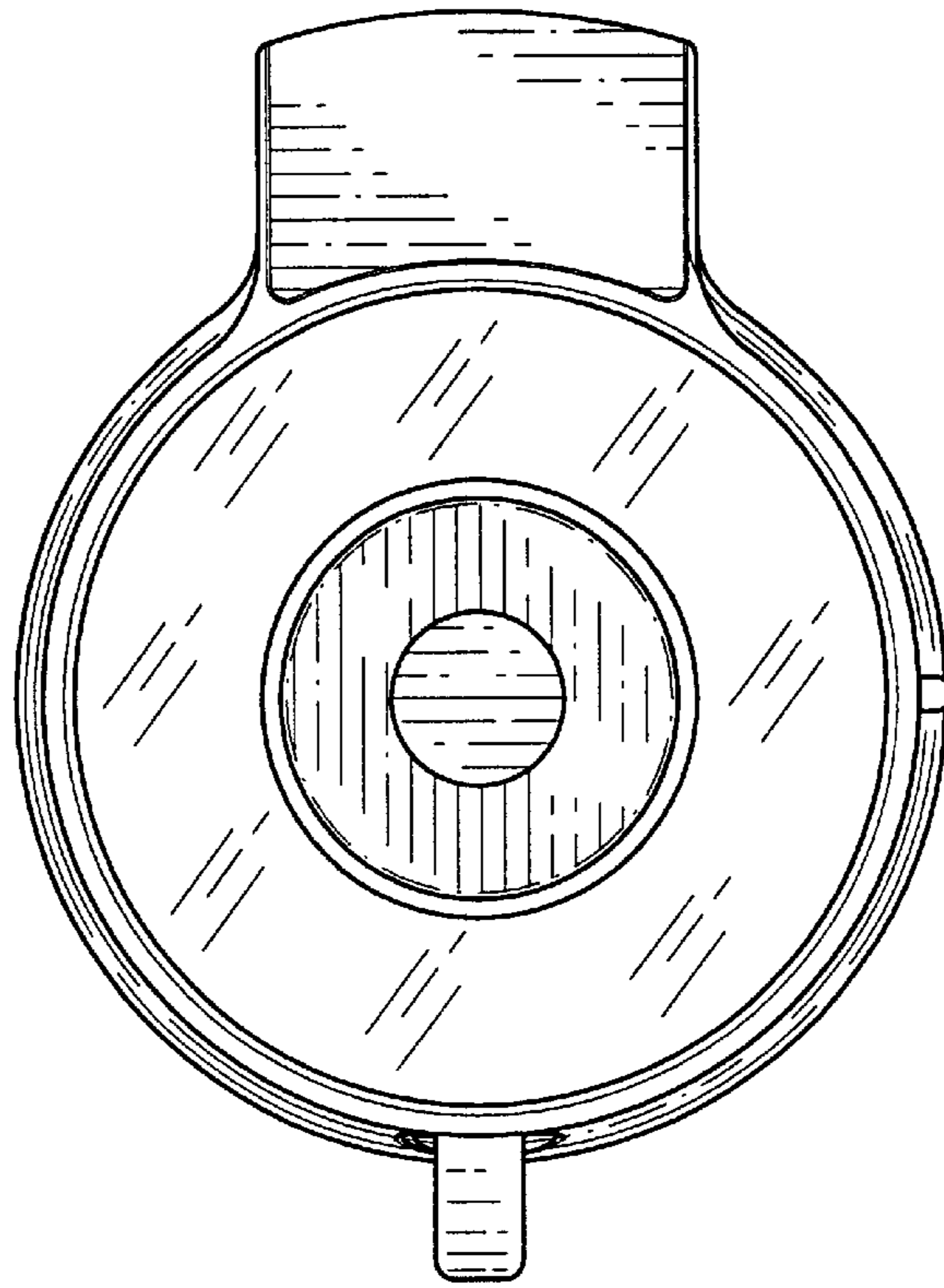


FIG. 6

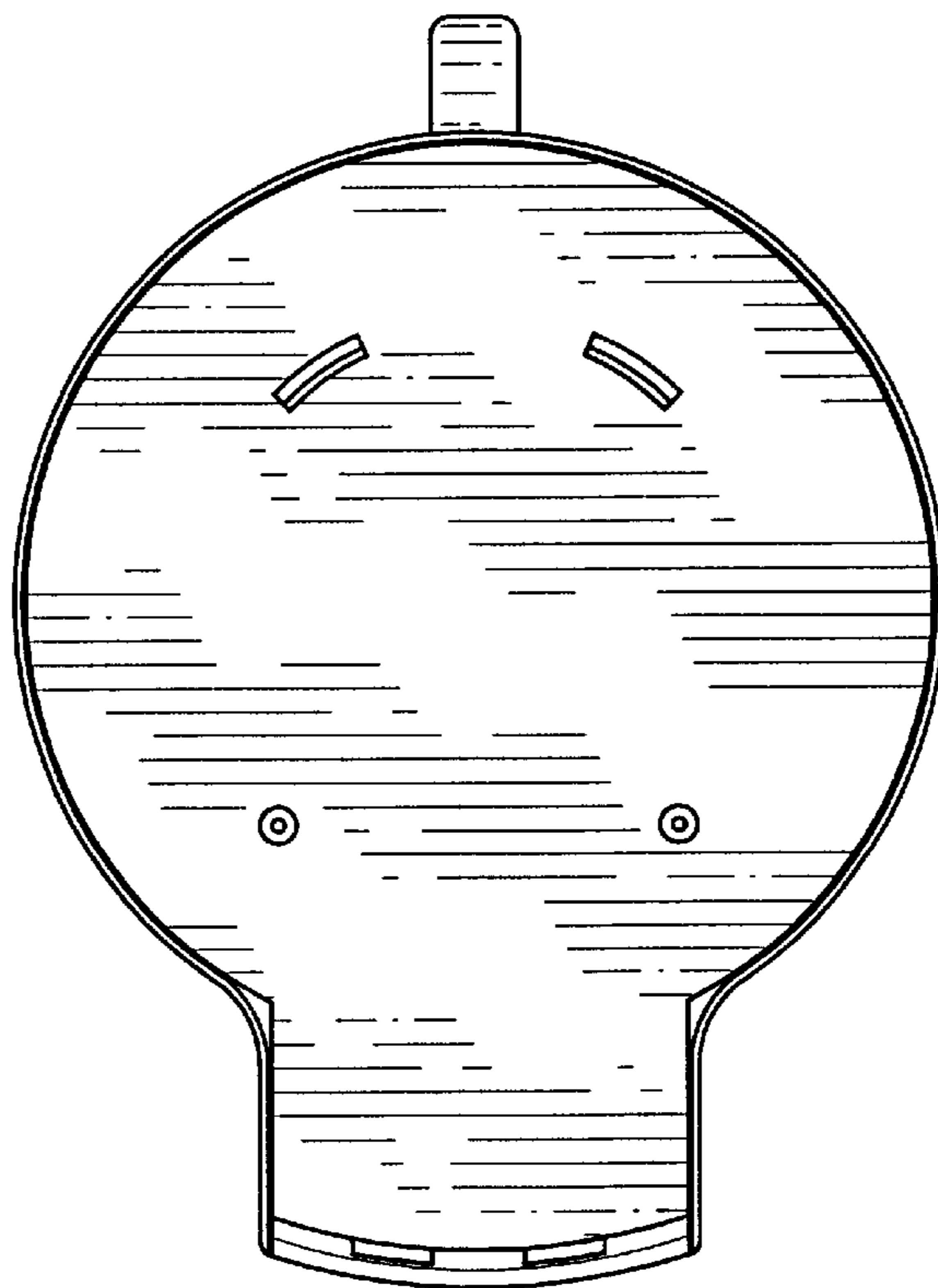


FIG. 7