

US00D465119S

(12) **United States Design Patent**  
**Strandell et al.**

(10) **Patent No.:** **US D465,119 S**

(45) **Date of Patent:** **\*\* Nov. 5, 2002**

(54) **BEVERAGE DISPENSER**

(75) Inventors: **Timothy B. Strandell**, Racine, WI  
(US); **Richard K. Renken**,  
Chesterfield, MO (US)

(73) Assignee: **Manitowoc Foodservice Companies,  
Inc.**, Sparks, NV (US)

(\*\*) Term: **14 Years**

(21) Appl. No.: **29/153,296**

(22) Filed: **Oct. 19, 2001**

(51) **LOC (7) Cl.** ..... **07-01**

(52) **U.S. Cl.** ..... **D7/307; D7/308; D7/311**

(58) **Field of Search** ..... D7/300, 306, 307,  
D7/308, 311, 312, 313; D20/5; 222/129.1-129.9,  
131, 146.6; 141/1, 198, 311 R, 369; 97/279

(56) **References Cited**

**U.S. PATENT DOCUMENTS**

D117,907 S	*	12/1939	Martin	.....	D7/307
D250,536 S	*	12/1978	Bourke	.....	D7/308
D251,564 S		4/1979	MacKrell		
D256,020 S		7/1980	Swanson		
D256,125 S		7/1980	Erickson		
D261,269 S	*	10/1981	Cornett	.....	D7/307
D261,390 S	*	10/1981	Harvill	.....	D7/307
4,305,527 A		12/1981	McMillin et al.		
D264,214 S	*	5/1982	Bowen et al.	.....	D7/307
4,333,587 A		6/1982	Fessler et al.		
4,377,246 A		3/1983	McMillin et al.		
D269,517 S		6/1983	Vogel et al.		
D273,654 S		5/1984	Sedam et al.		
D311,844 S	*	11/1990	Chase et al.	.....	D7/308
4,969,576 A		11/1990	Merrill et al.		
D320,524 S	*	10/1991	Schechter	.....	D7/308
5,115,942 A		5/1992	Merrill et al.		
D335,062 S		4/1993	Kolada et al.		
D337,018 S		7/1993	Groover et al.		
5,228,312 A		7/1993	Williams		
D343,332 S	*	1/1994	Schroeder et al.	.....	D7/308
5,280,711 A		1/1994	Motta et al.		
5,335,819 A		8/1994	Martin		

5,392,960 A	2/1995	Kendt et al.
D359,874 S	7/1995	Smith et al.
D367,989 S	3/1996	Mills et al.
D381,857 S	8/1997	Swaim
5,660,307 A	8/1997	Schroeder et al.

(List continued on next page.)

*Primary Examiner*—M. N. Pandozzi

(74) *Attorney, Agent, or Firm*—Brinks Hofer Gilson & Lione

(57) **CLAIM**

The ornamental design for a beverage dispenser, as shown.

**DESCRIPTION**

FIG. 1 is a perspective view of a first embodiment of a beverage dispenser showing our design.

FIG. 2 is a left-side elevational view of the embodiment of FIG. 1;

FIG. 3 is a front elevational view of the embodiment of FIG. 1;

FIG. 4 is a right-side elevational view, showing the side opposite that in FIG. 2;

FIG. 5 is a rear elevational view, showing the side opposite that in FIG. 3;

FIG. 6 is a top plan view of the embodiment of FIG. 1;

FIG. 7 is a bottom plan view of the embodiment of FIG. 1;

FIG. 8 is a front perspective view of an alternative embodiment of the beverage dispenser.

FIG. 9 is a left-side elevational view of the embodiment of FIG. 8;

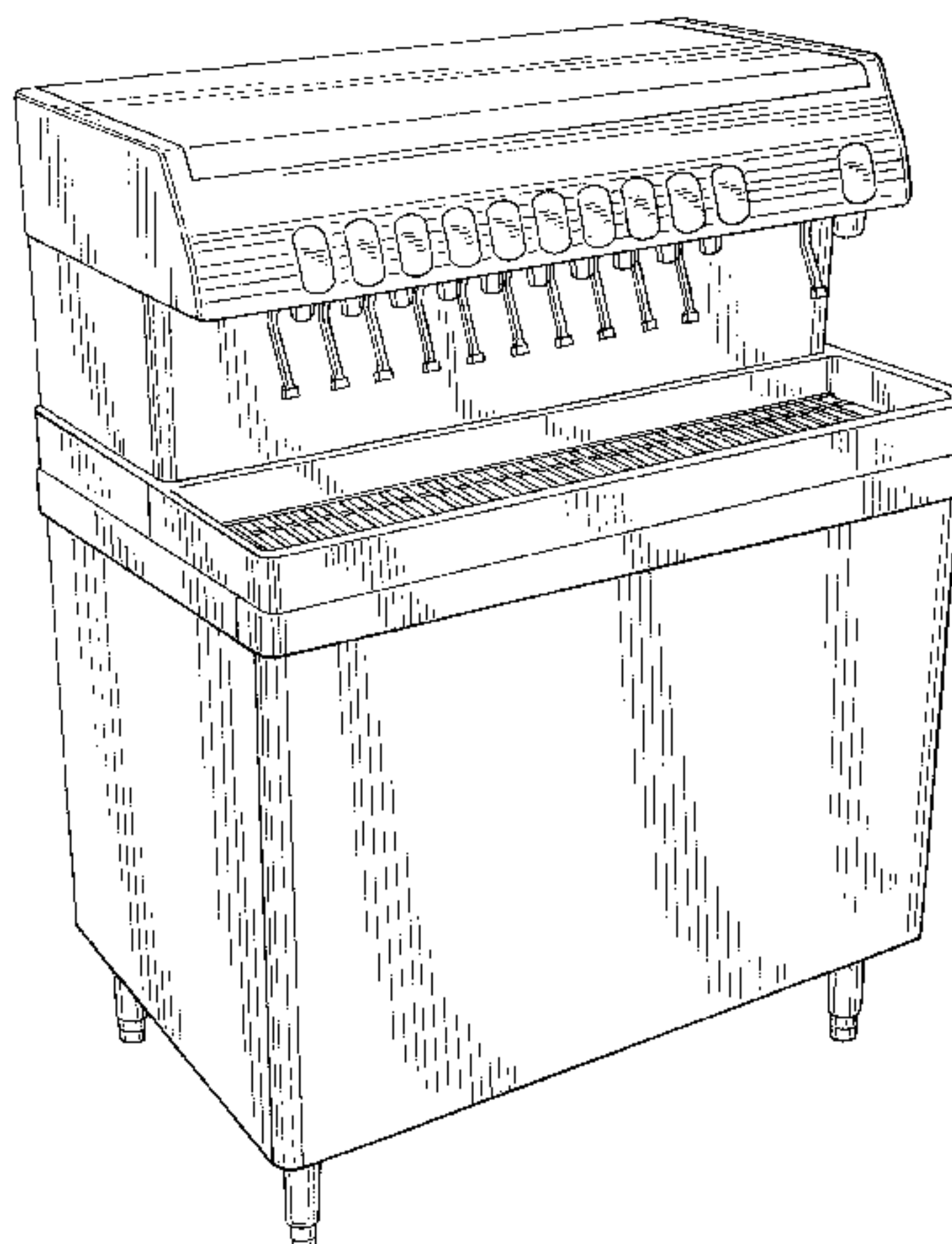
FIG. 10 is a front elevational view of the embodiment of FIG. 8;

FIG. 11 is a right-side elevational view showing the side opposite that in FIG. 9;

FIG. 12 is a rear elevational view showing the side opposite that in FIG. 10; and,

FIG. 13 is a top plan view of the embodiment of FIG. 8. The bottom plan view of the embodiment of FIG. 8 is not relevant to the design.

**1 Claim, 7 Drawing Sheets**



# US D465,119 S

Page 2

---

## U.S. PATENT DOCUMENTS

D390,058 S	2/1998	Landers	5,901,884 A	5/1999	Goulet et al.	
5,732,563 A	3/1998	Bethuy et al.	6,045,007 A	4/2000	Simmoms	
5,765,726 A	6/1998	Jones	D442,011 S *	5/2001	Sandor et al.	..... D7/307
5,829,646 A	11/1998	Schroeder et al.	D442,417 S	5/2001	Jones et al.	
D404,242 S	1/1999	Schroeder	D448,600 S *	10/2001	Sandor et al.	..... D7/307
5,884,813 A	3/1999	Bordonaro et al.	6,321,802 B1	11/2001	Weeks et al.	
D407,594 S	4/1999	Jones et al.	D452,406 S *	12/2001	Schroeder et al.	..... D7/307

\* cited by examiner

FIG. 1

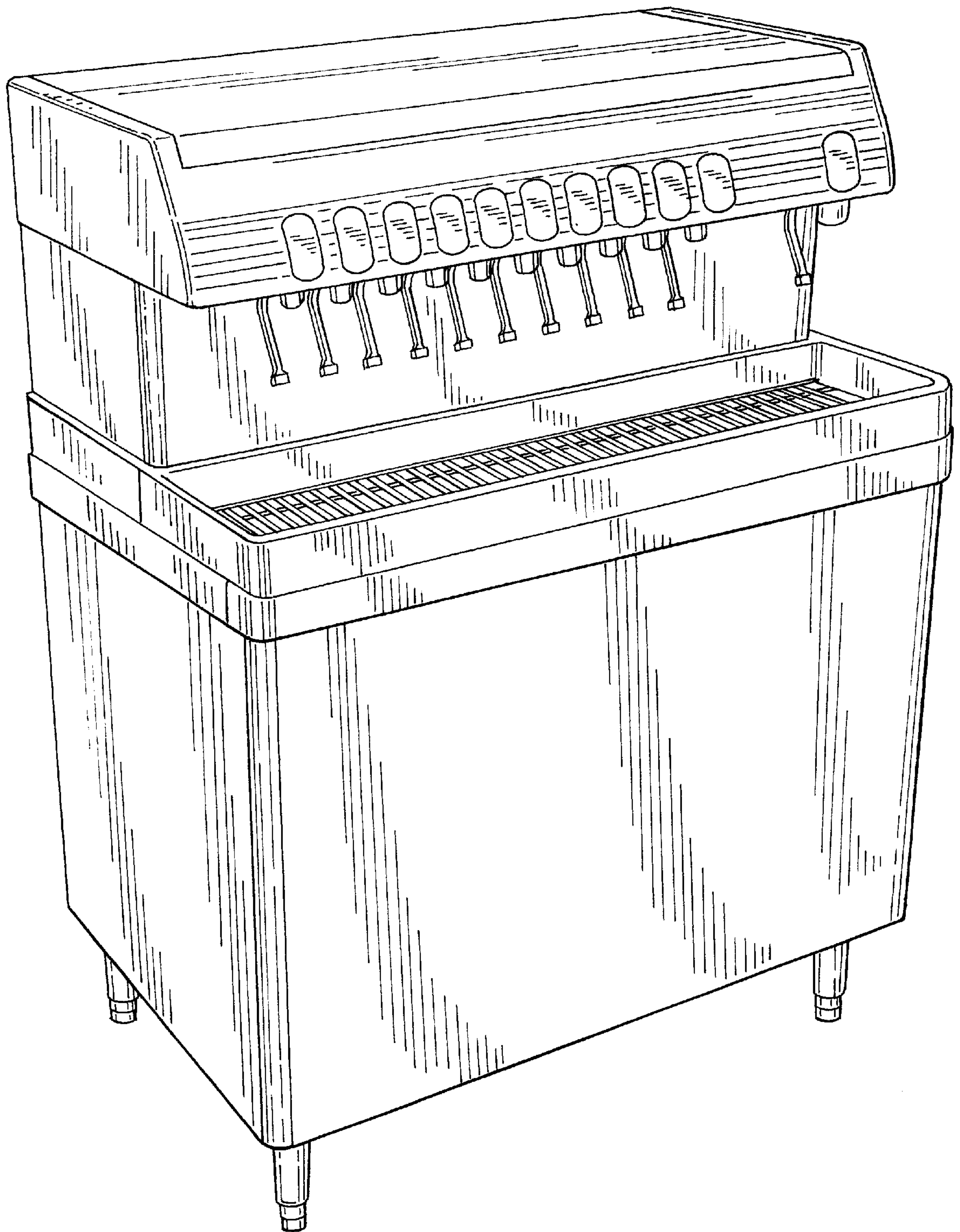


FIG. 3

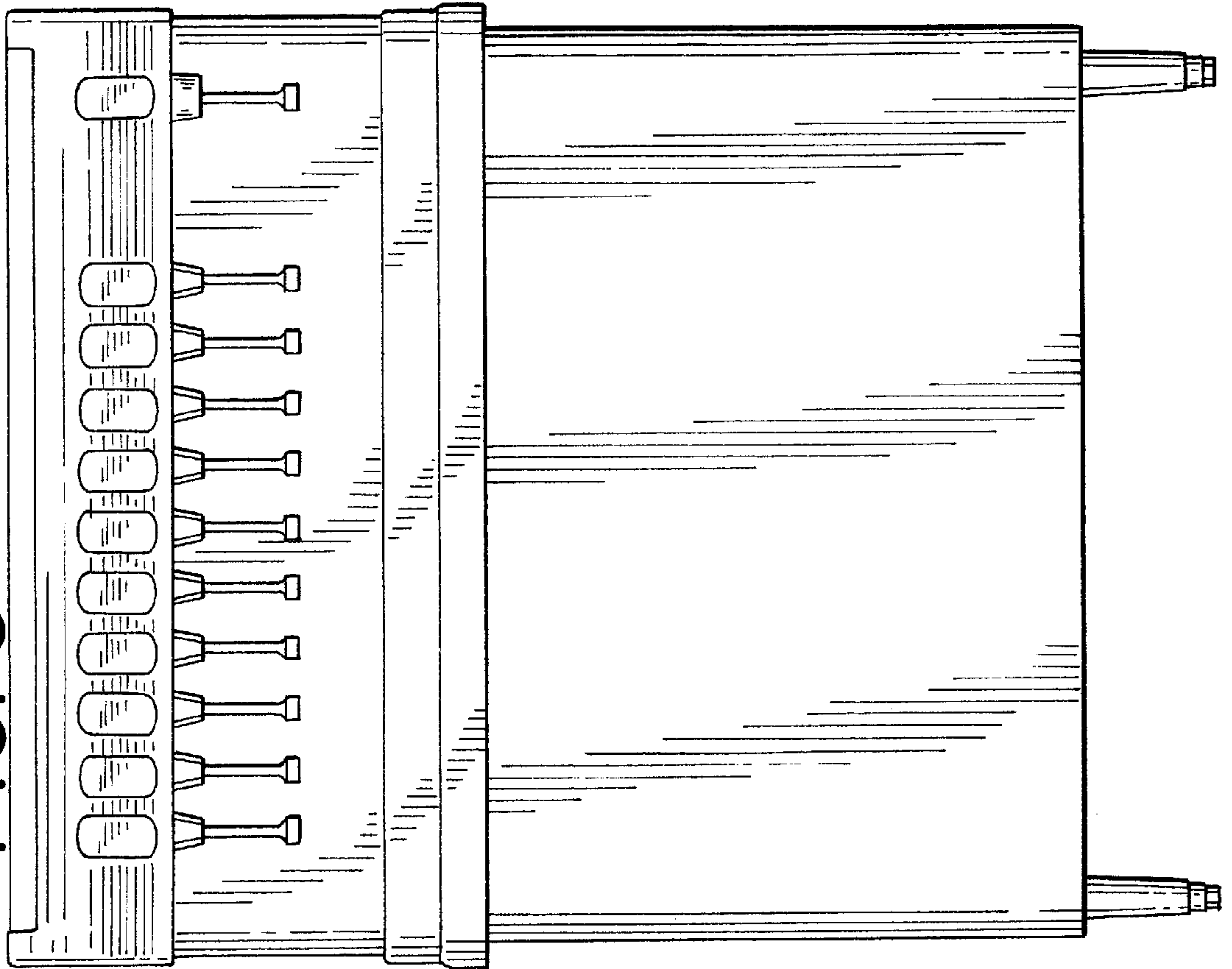


FIG. 2

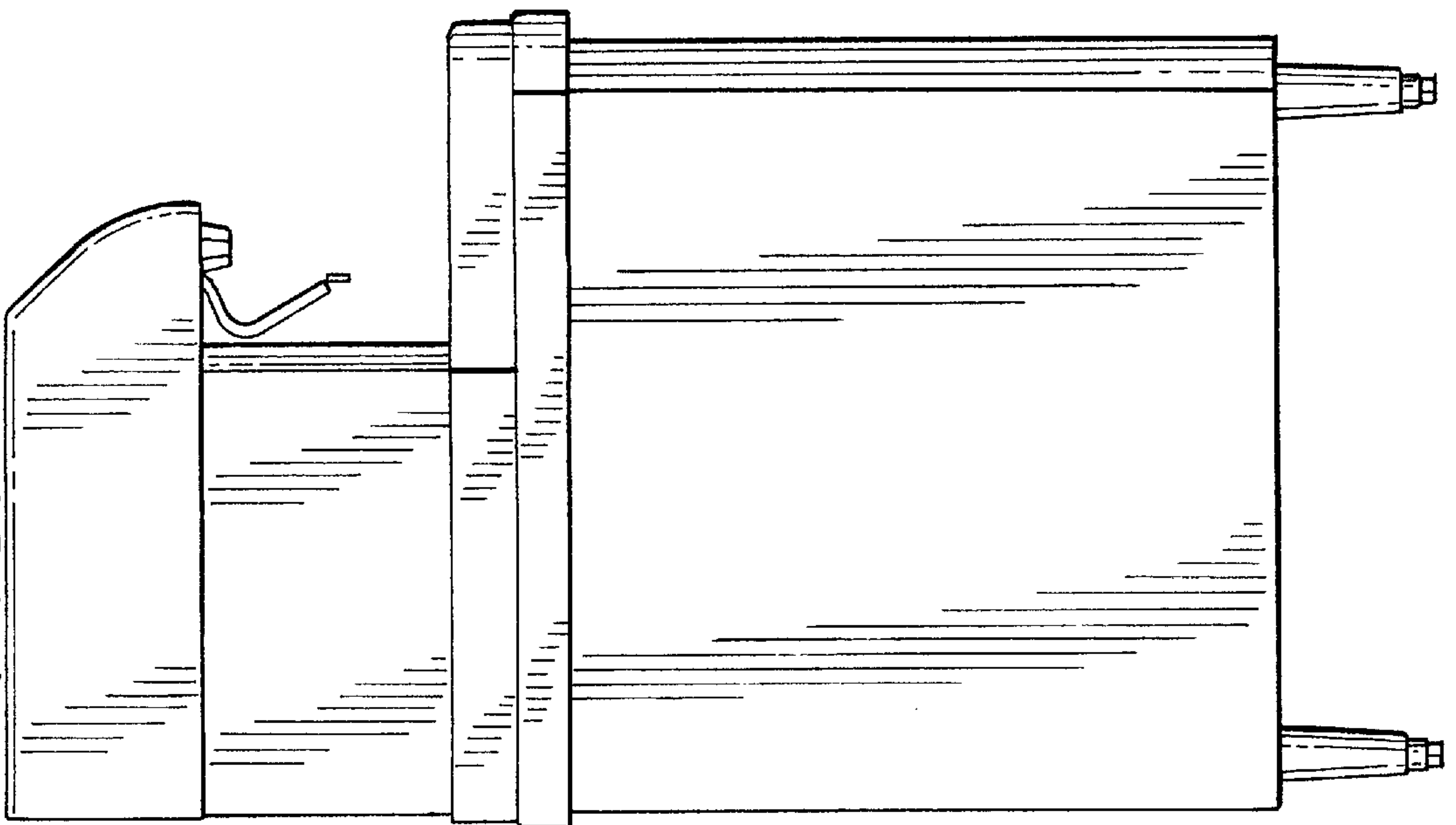




FIG. 5

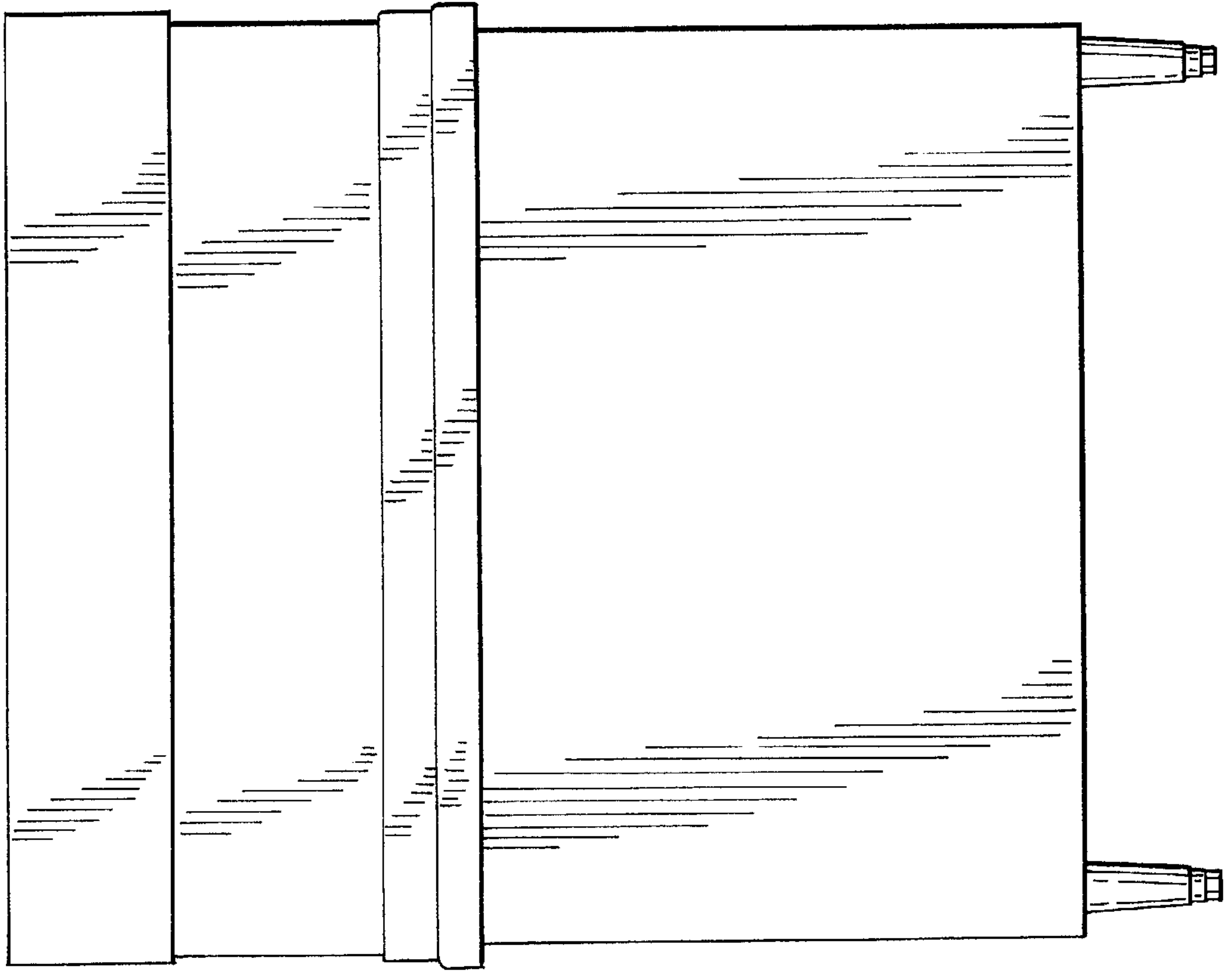


FIG. 4

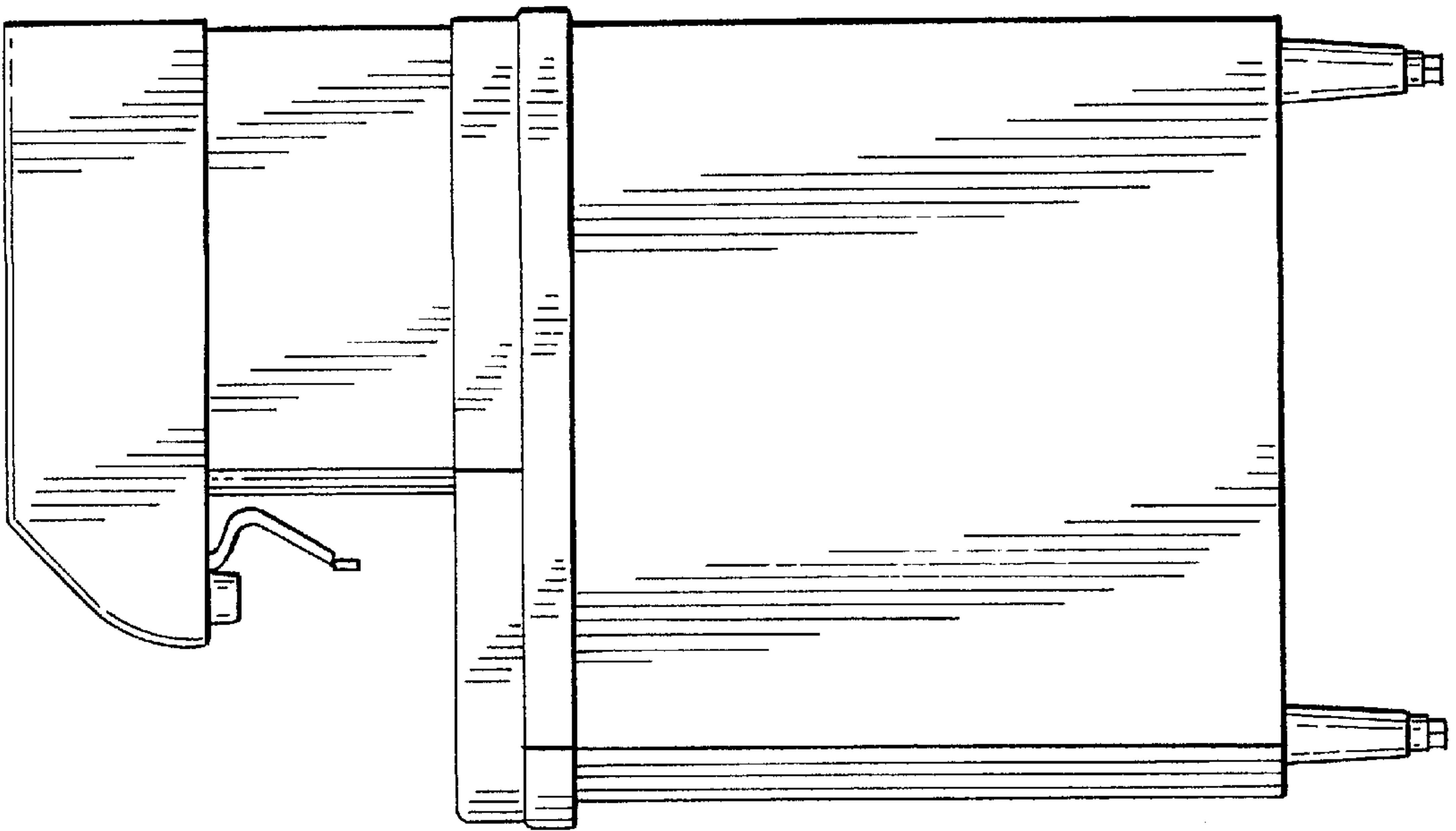


FIG. 6

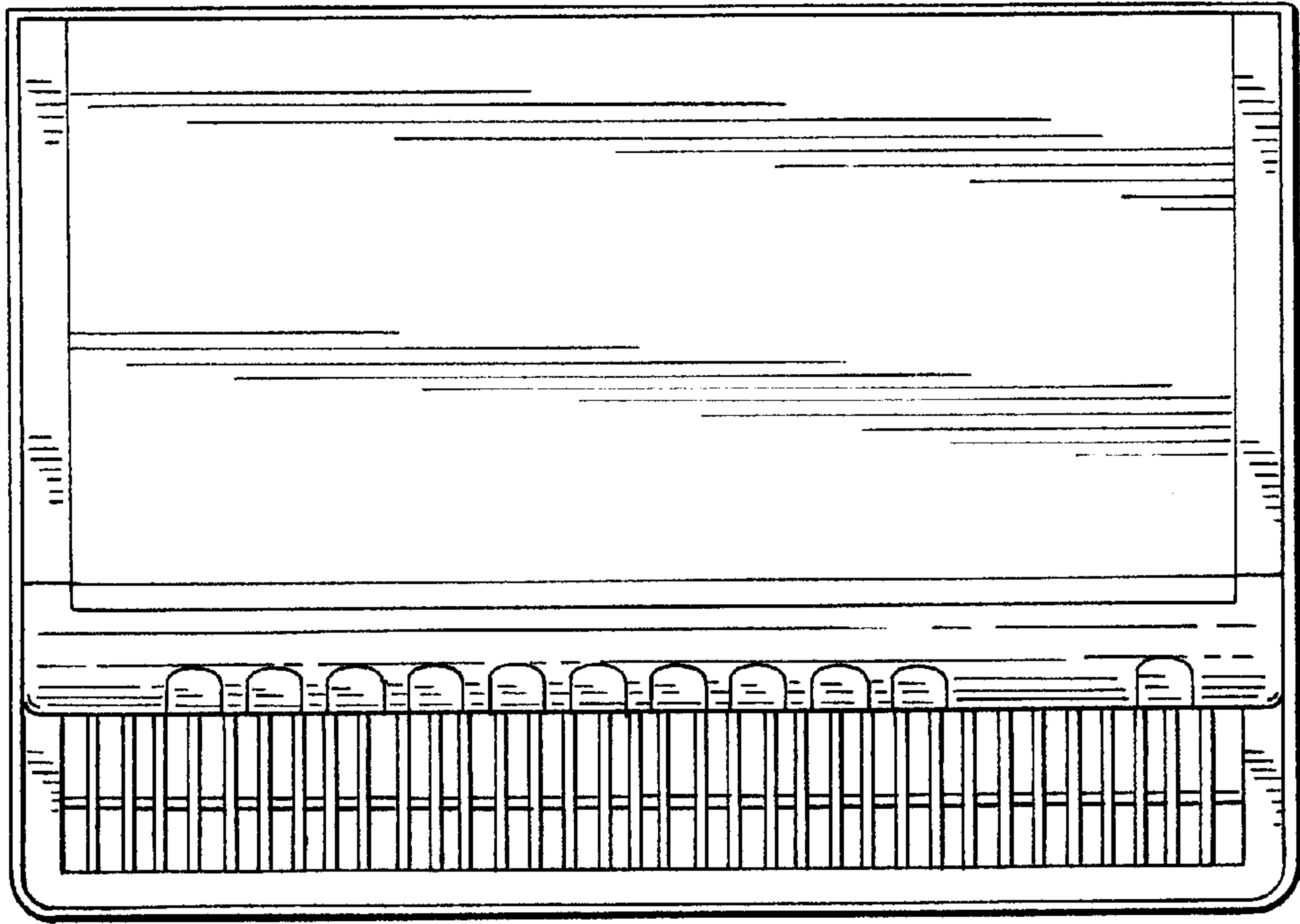


FIG. 7

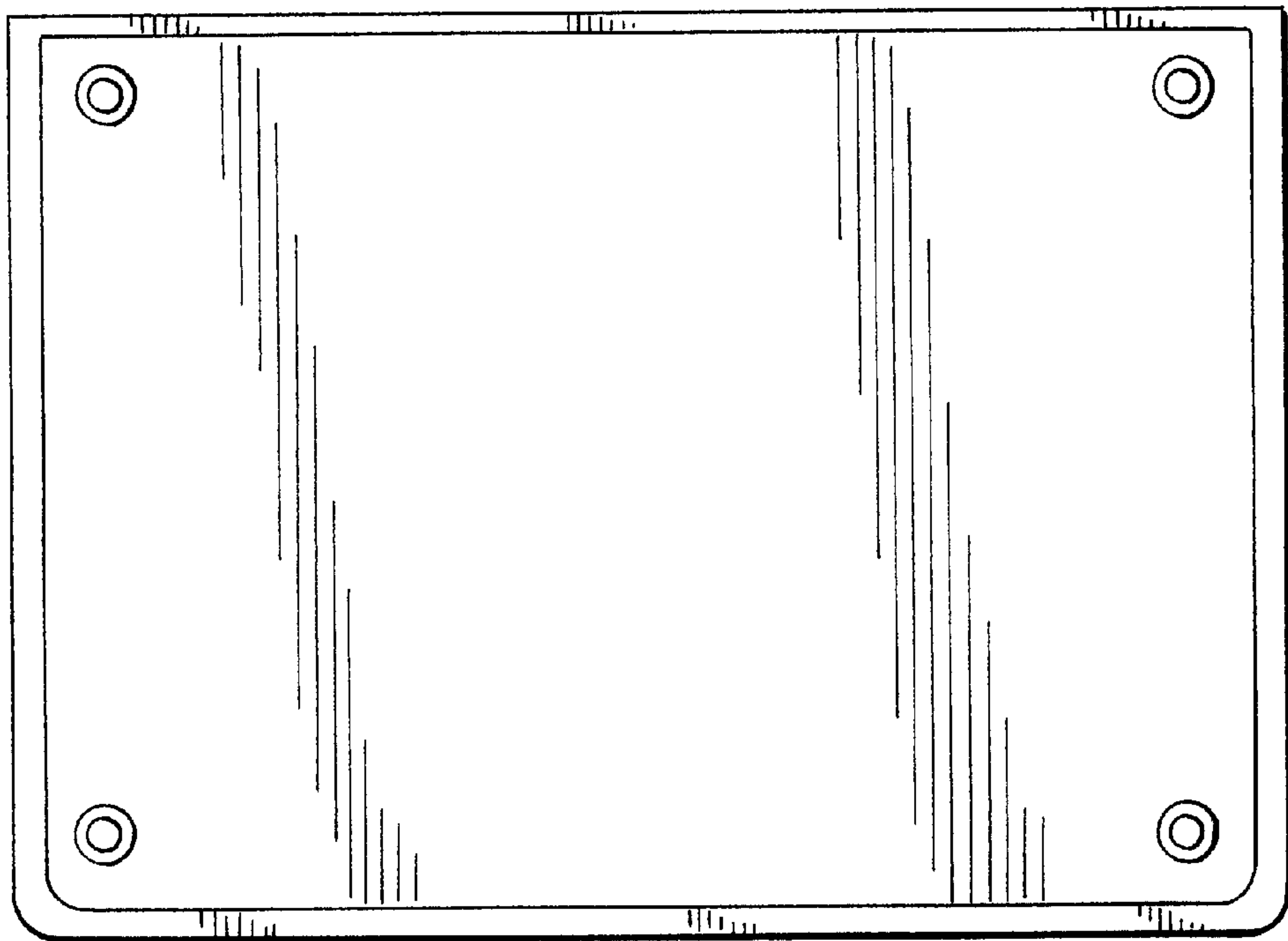


FIG. 8

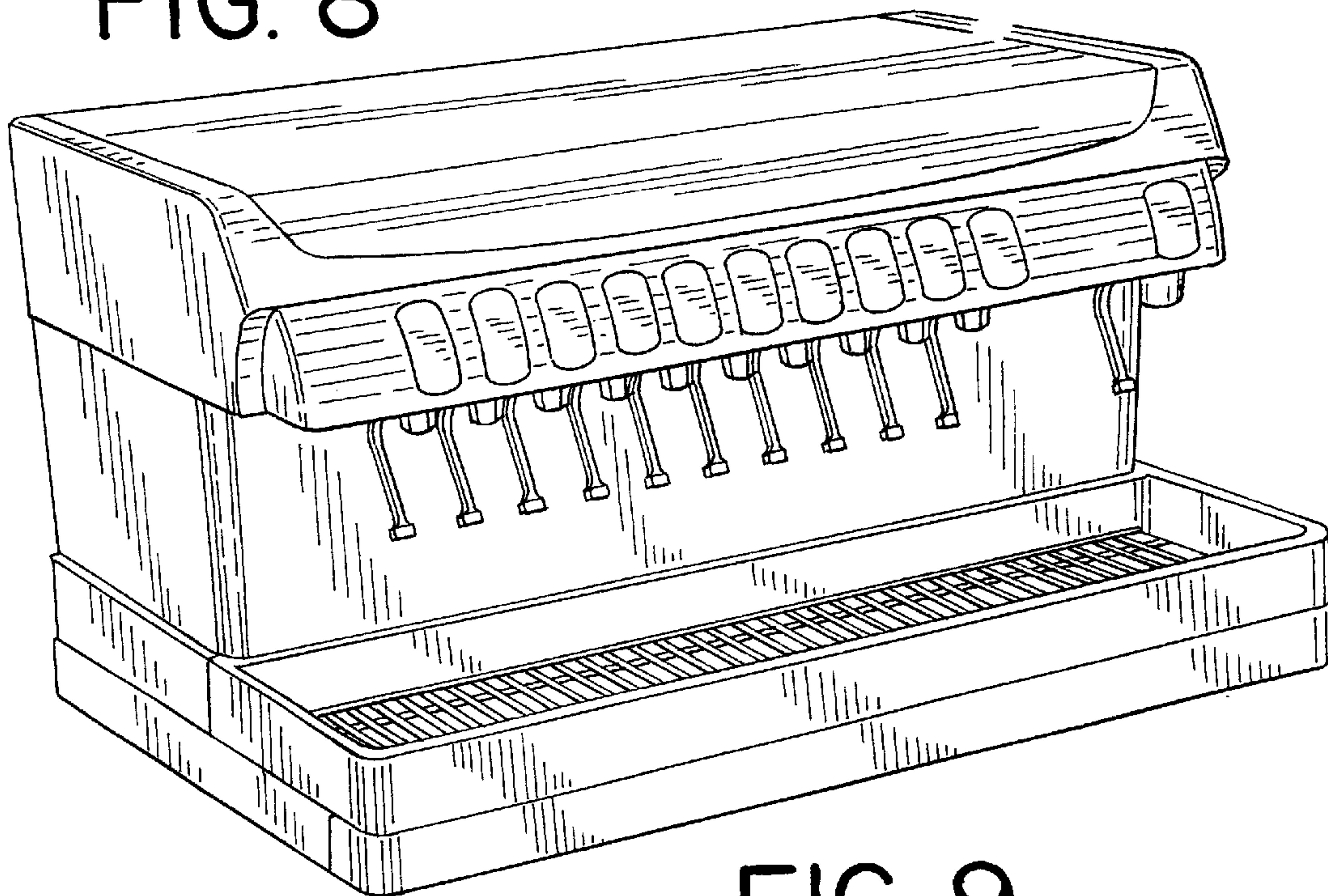


FIG. 9

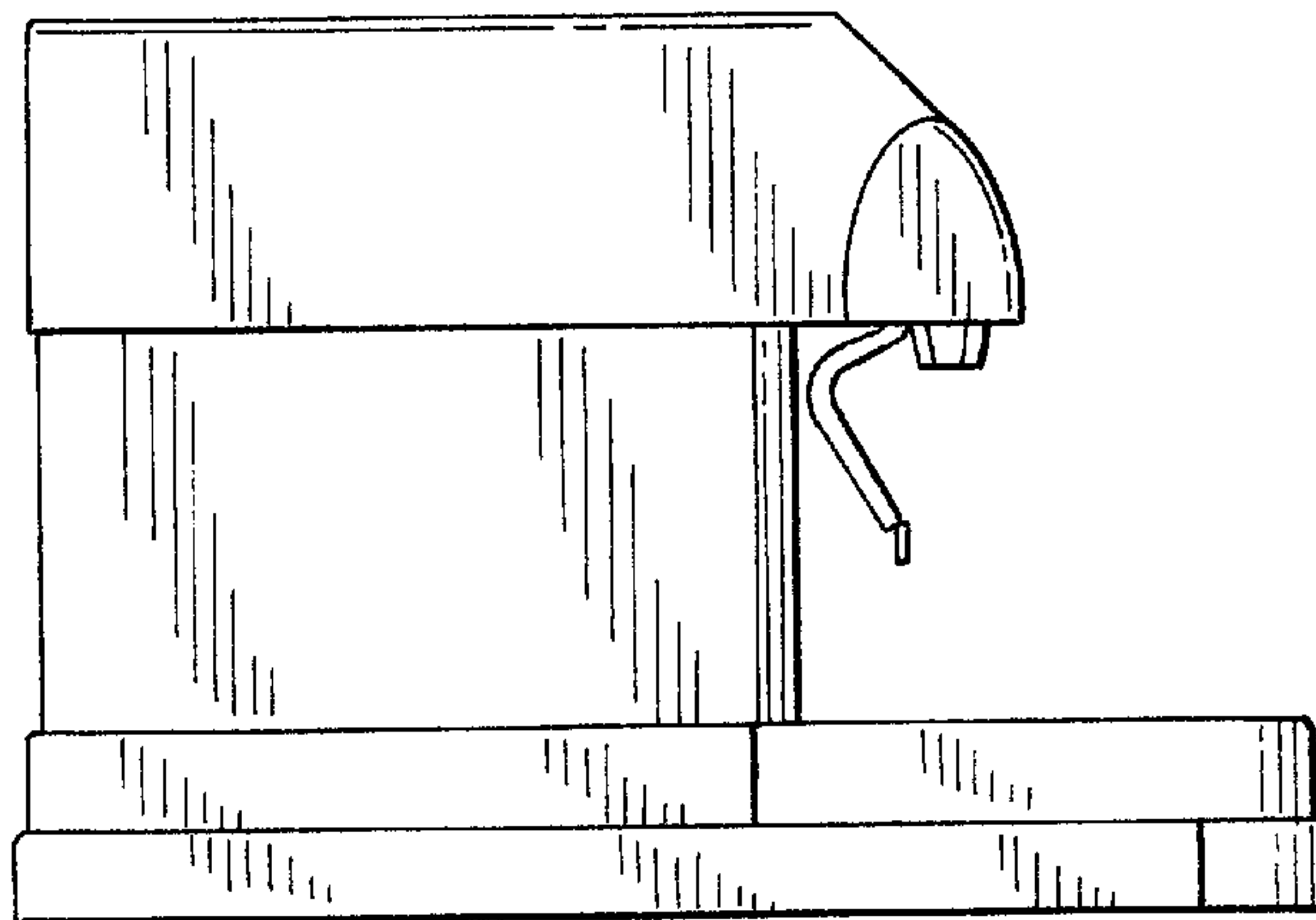


FIG. 10

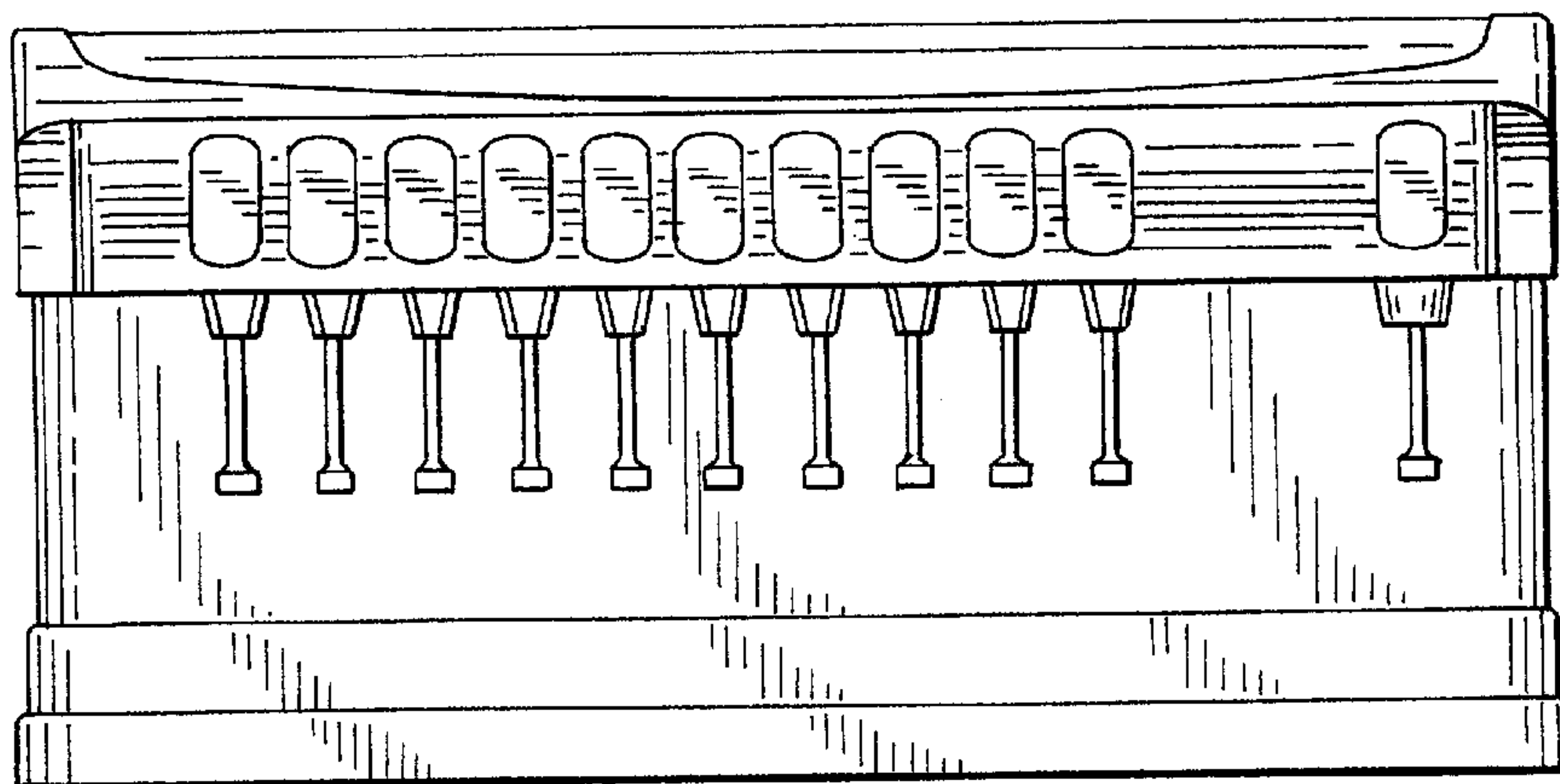


FIG. 11

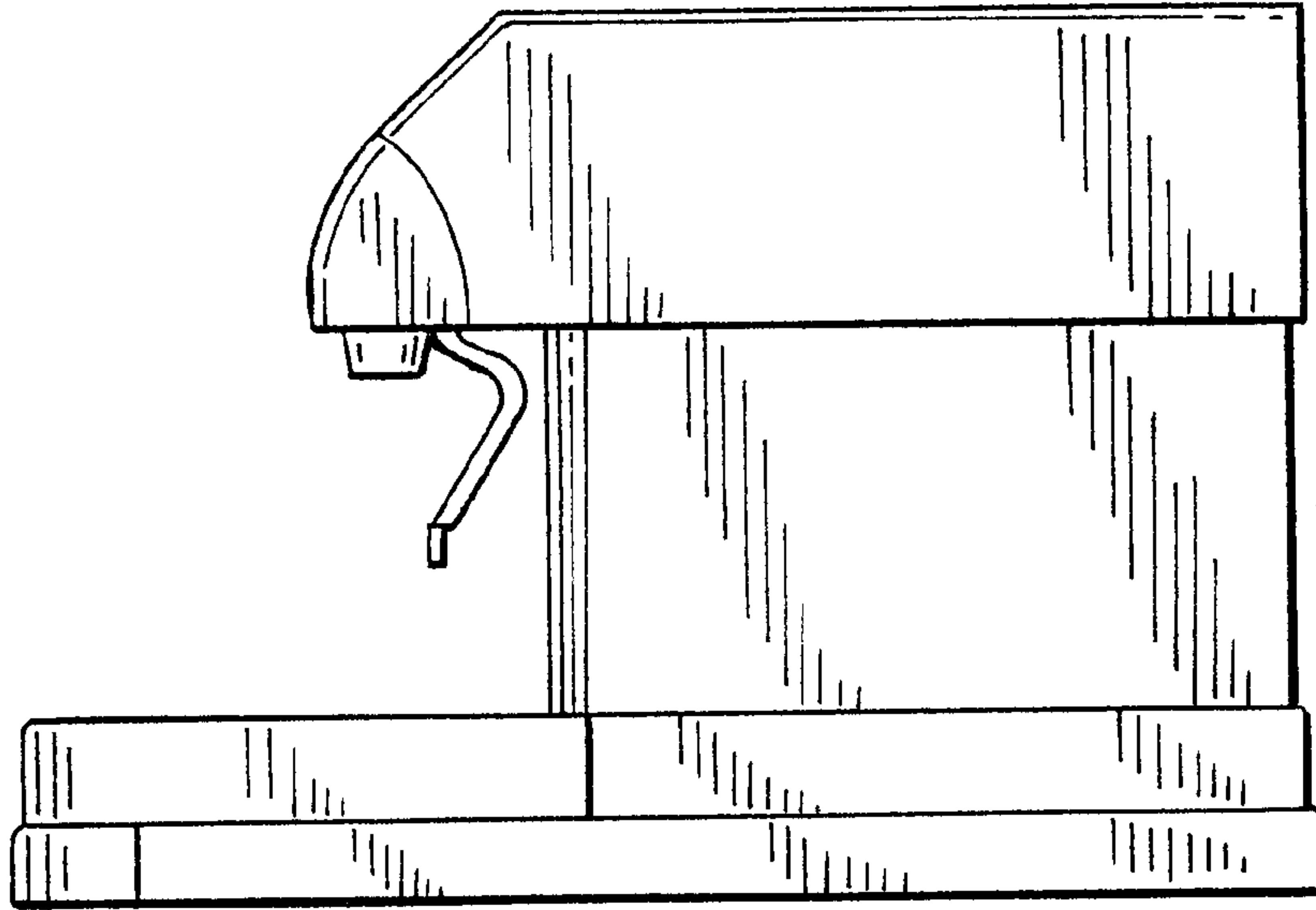
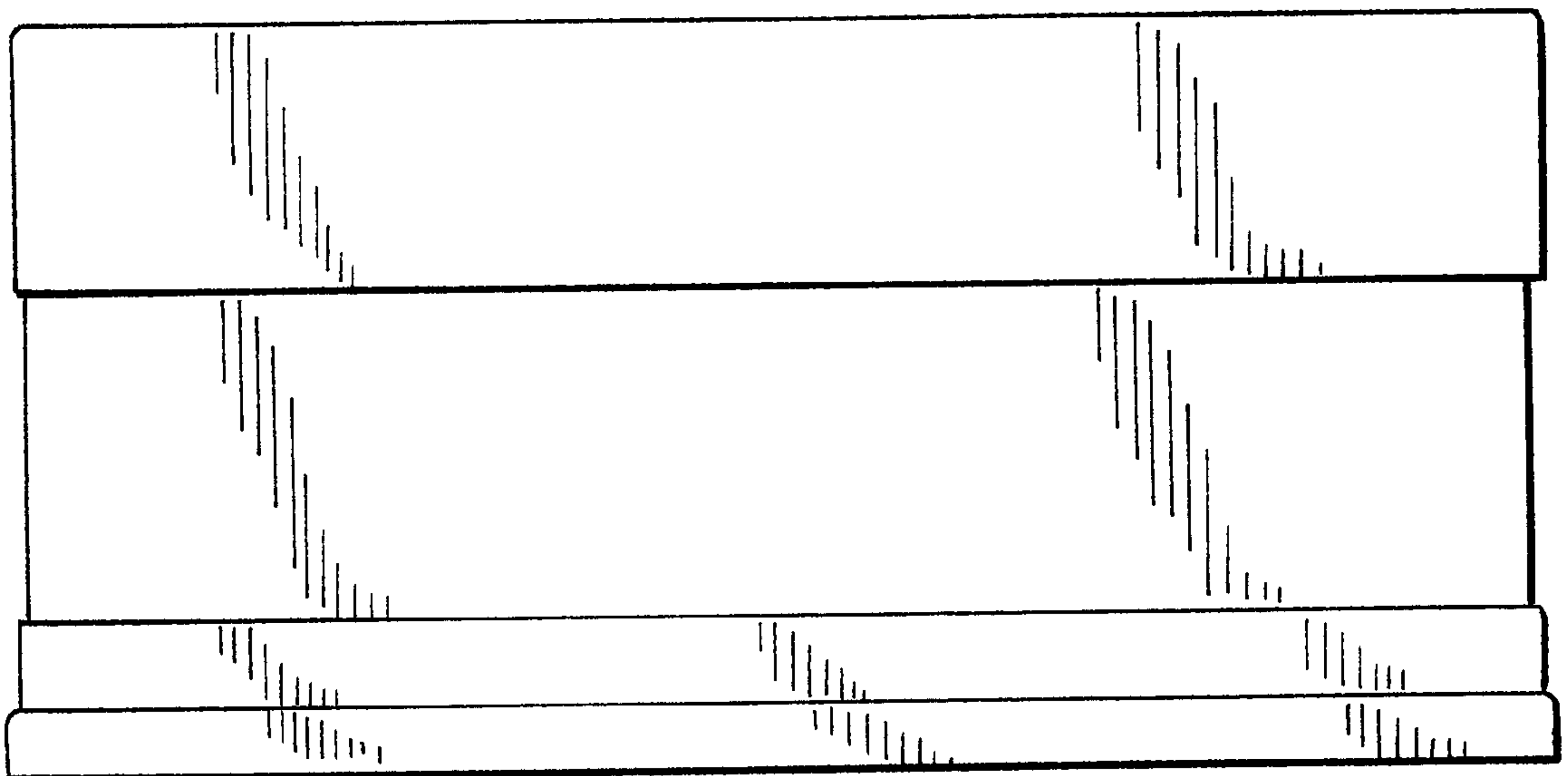
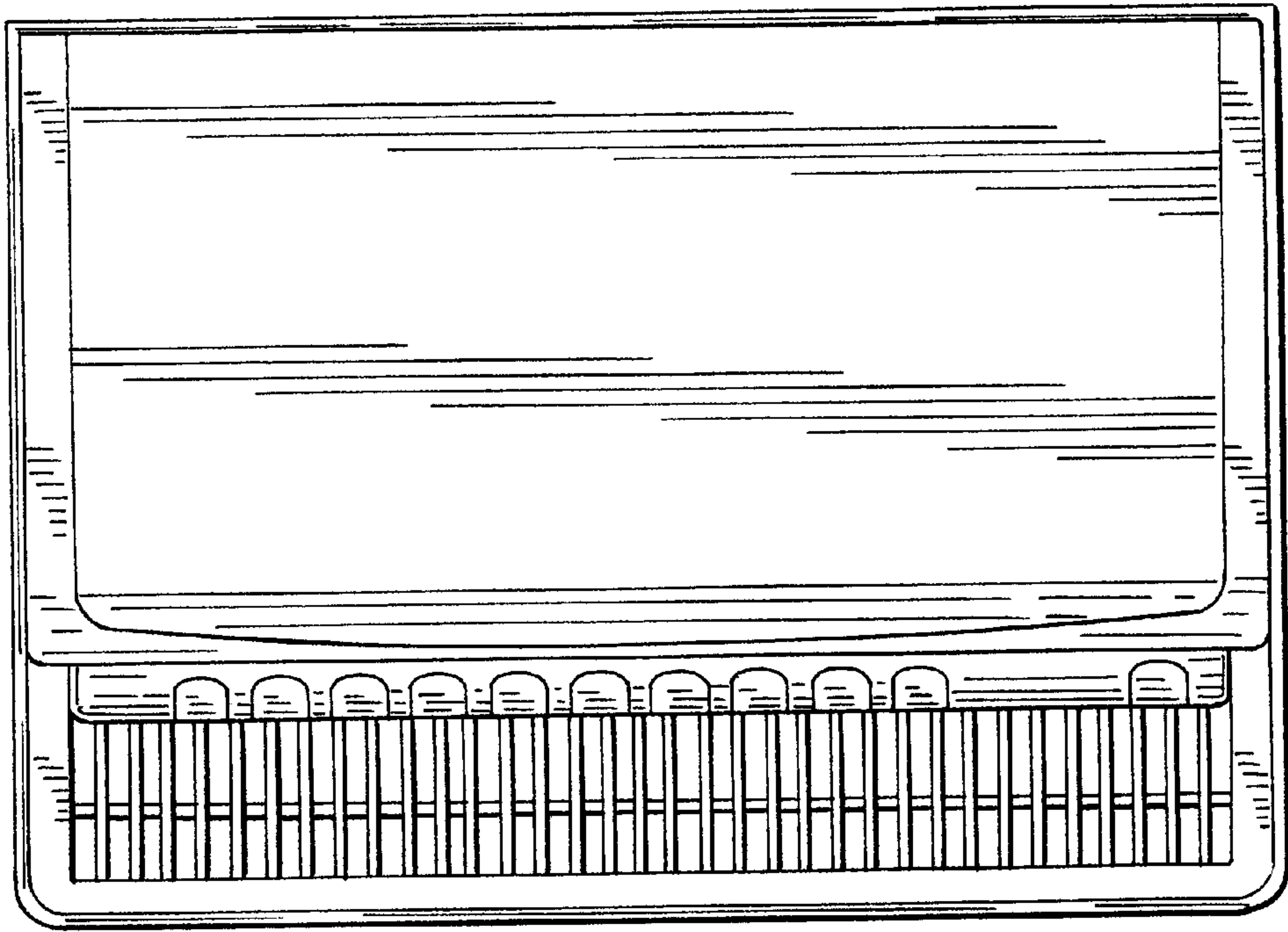


FIG. 12





# FIG. 13



# FIG. 14

