



US00D465118S

(12) **United States Design Patent**
Robert

(10) **Patent No.:** **US D465,118 S**

(45) **Date of Patent:** **** Nov. 5, 2002**

(54) **COMPACT DISK STORAGE UNIT**

(75) Inventor: **Paul-Henri Robert**, Boulogne
Billancourt (FR)

(73) Assignee: **Via Marques**, Paris (FR)

(**) Term: **14 Years**

(21) Appl. No.: **29/143,091**

(22) Filed: **Jun. 8, 2001**

(30) **Foreign Application Priority Data**

Dec. 8, 2000 (FR) 00 7206

(51) **LOC (7) Cl.** **06-04**

(52) **U.S. Cl.** **D6/630; D6/450**

(58) **Field of Search** D6/407, 629, 630,
D6/467, 468, 450, 453, 474, 462, 465,
466; 206/307, 307.1, 308.1; 211/40, 41.1,
41.2, 41.12; 312/9.1, 9.55, 9.64, 348.3

(56) **References Cited**

U.S. PATENT DOCUMENTS

D370,377 S * 6/1996 Hsu D6/629
5,676,260 A * 10/1997 Schneidmesser 211/40
D386,932 S * 12/1997 Chang D6/630

* cited by examiner

Primary Examiner—Cathron C. Brooks

(74) *Attorney, Agent, or Firm*—Young & Thompson

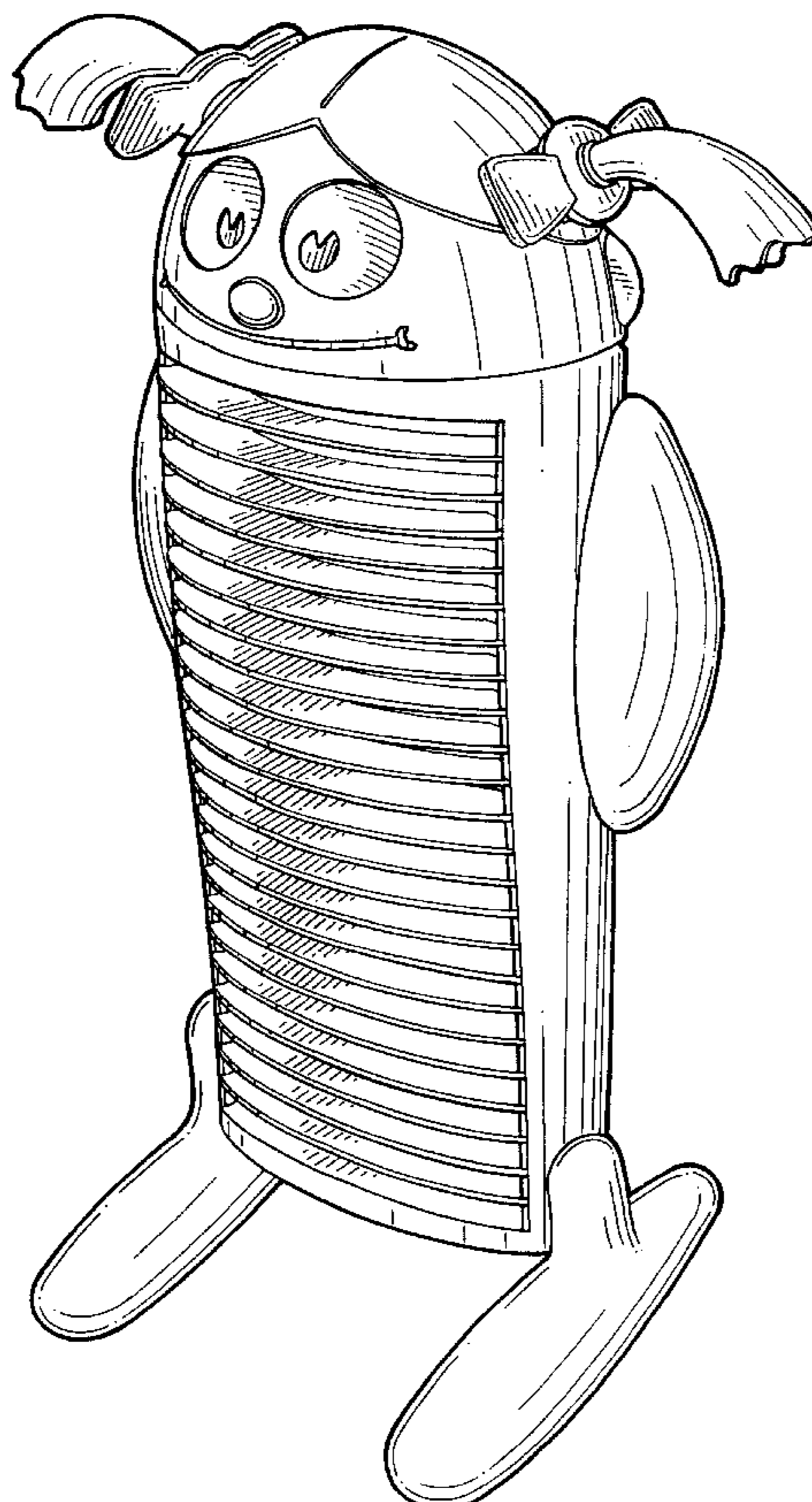
(57) **CLAIM**

The ornamental design for a compact disk storage unit, as shown and described.

DESCRIPTION

FIG. 1 is a front, top and right-side perspective view of a first embodiment of my new design;
FIG. 2 is a front elevational view of the FIG. 1 embodiment;
FIG. 3 is a rear elevational view of the FIG. 1 embodiment;
FIG. 4 is a right-side view of the FIG. 1 embodiment;
FIG. 5 is a left-side view of the FIG. 1 embodiment;
FIG. 6 is a top plan view of the FIG. 1 embodiment;
FIG. 7 is a bottom plan view of the FIG. 1 embodiment;
FIG. 8 is a front, top and right-side view of a second embodiment of my new design;
FIG. 9 is a front elevational view of the FIG. 8 embodiment;
FIG. 10 is a rear elevational view of the FIG. 8 embodiment;
FIG. 11 is a left-side view of the FIG. 8 embodiment;
FIG. 12 is a right-side view of the FIG. 8 embodiment;
FIG. 13 is a top plan view of the FIG. 8 embodiment; and,
FIG. 14 is a bottom plan view of the FIG. 8 embodiment.

1 Claim, 14 Drawing Sheets



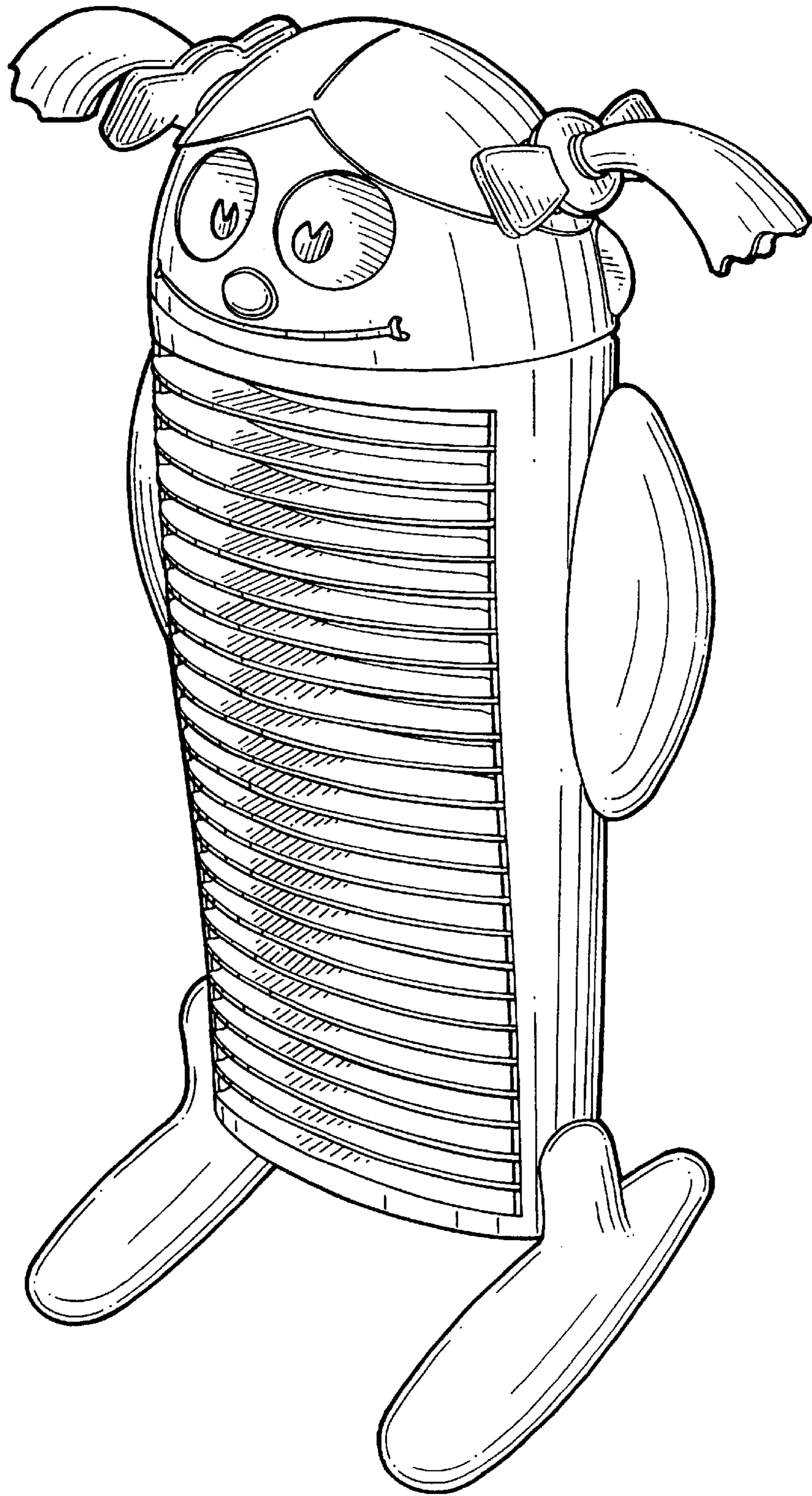


FIG. 1

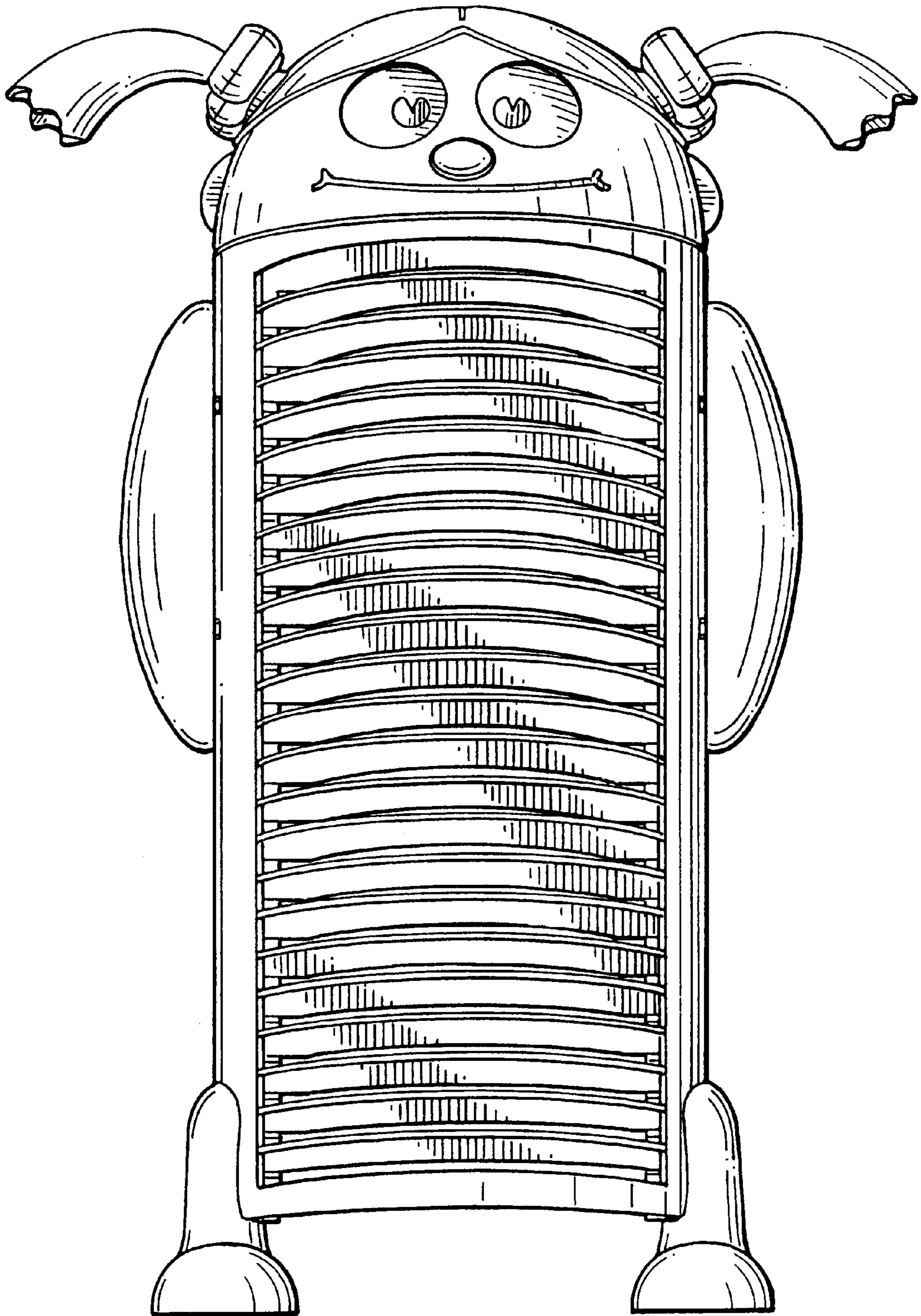


FIG. 2

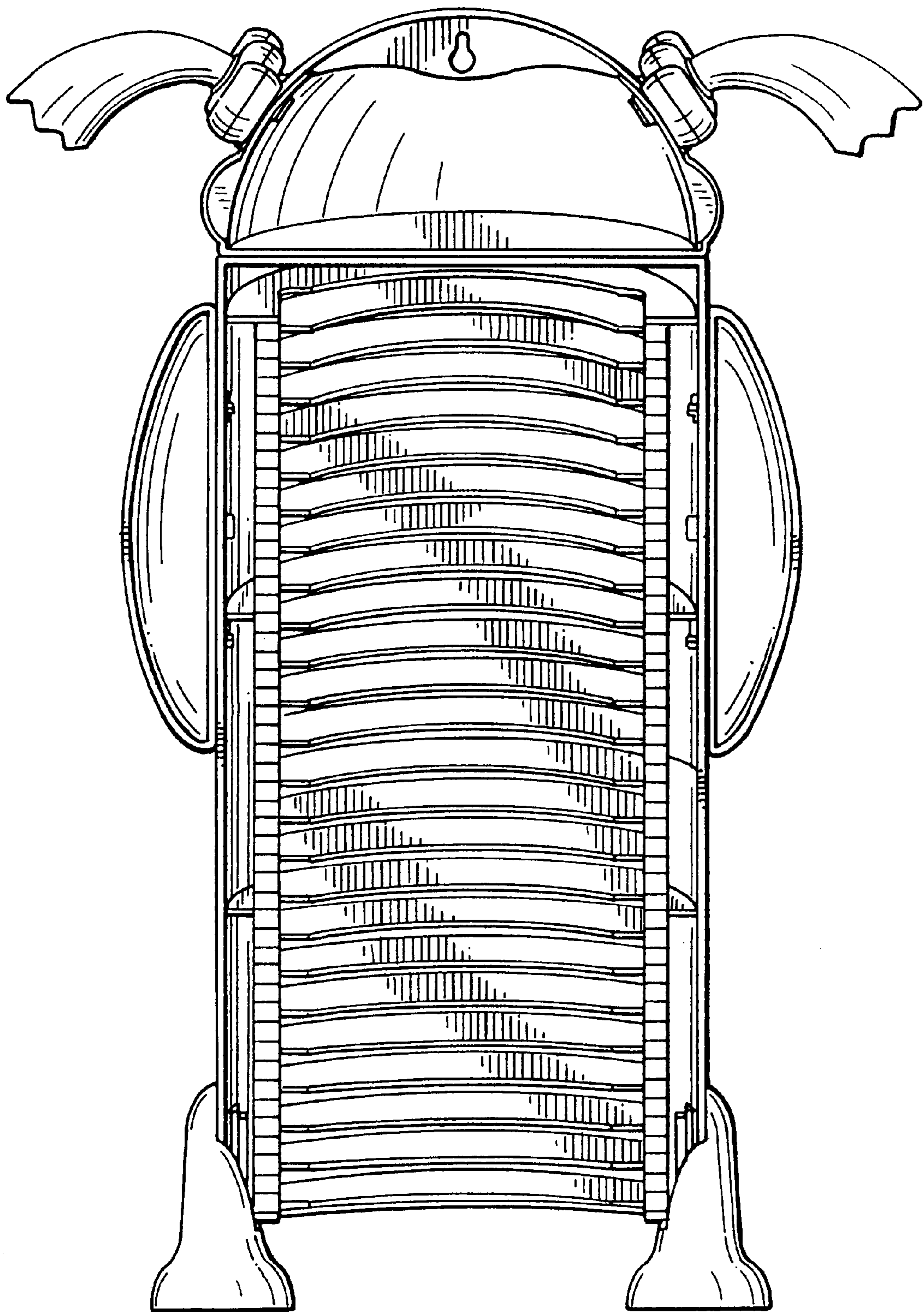


FIG. 3

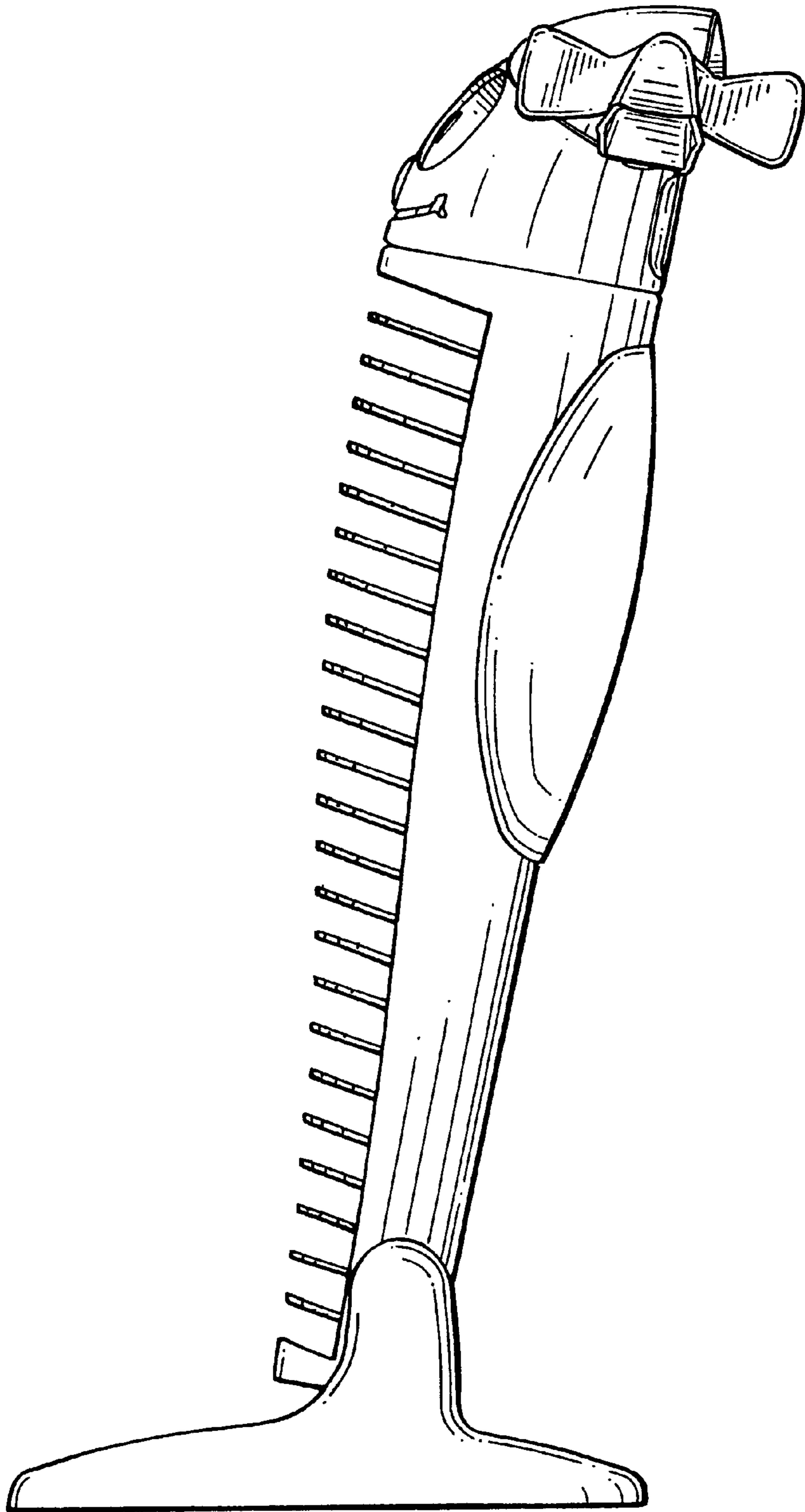


FIG. 4

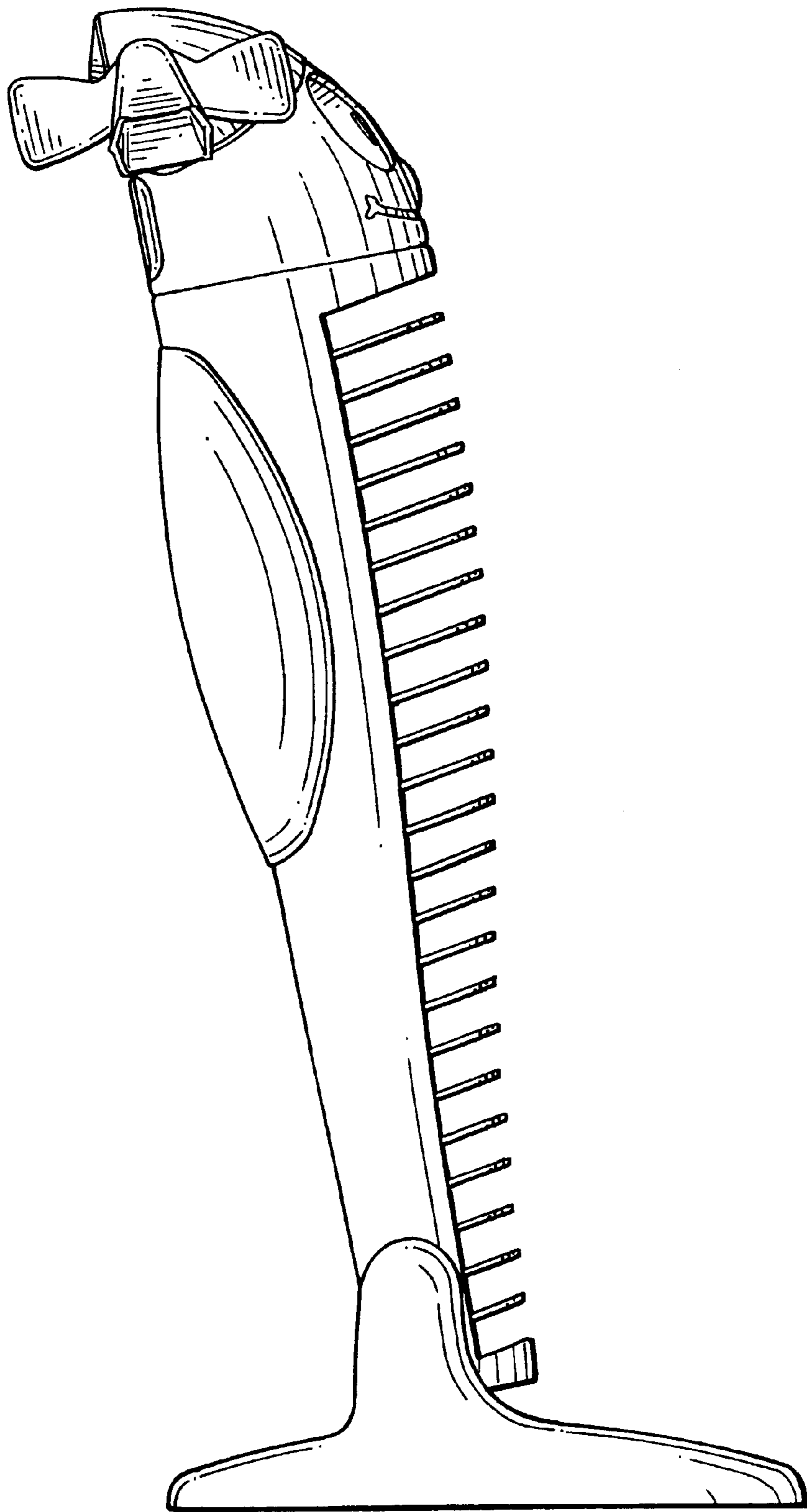


FIG. 5

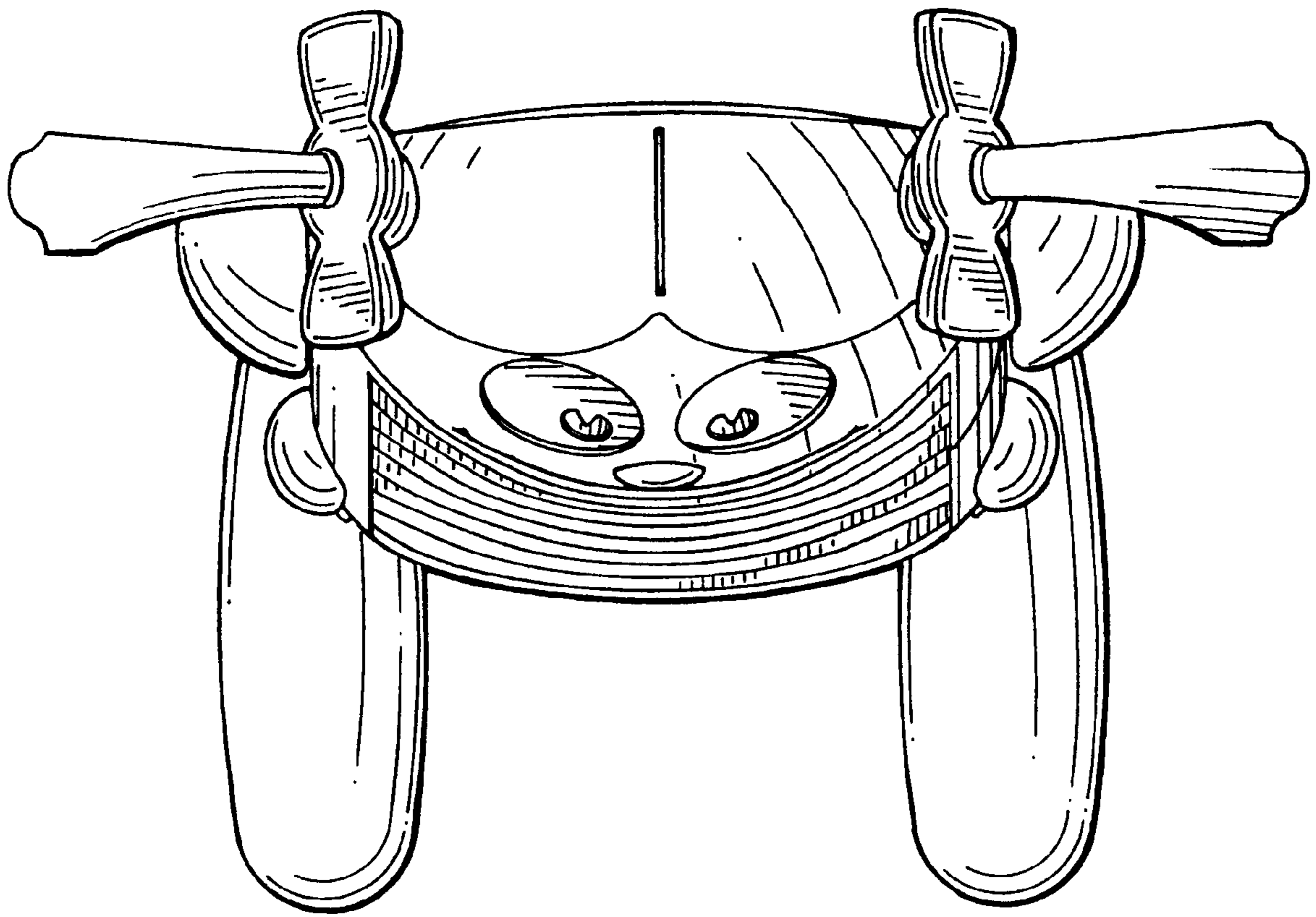


FIG. 6

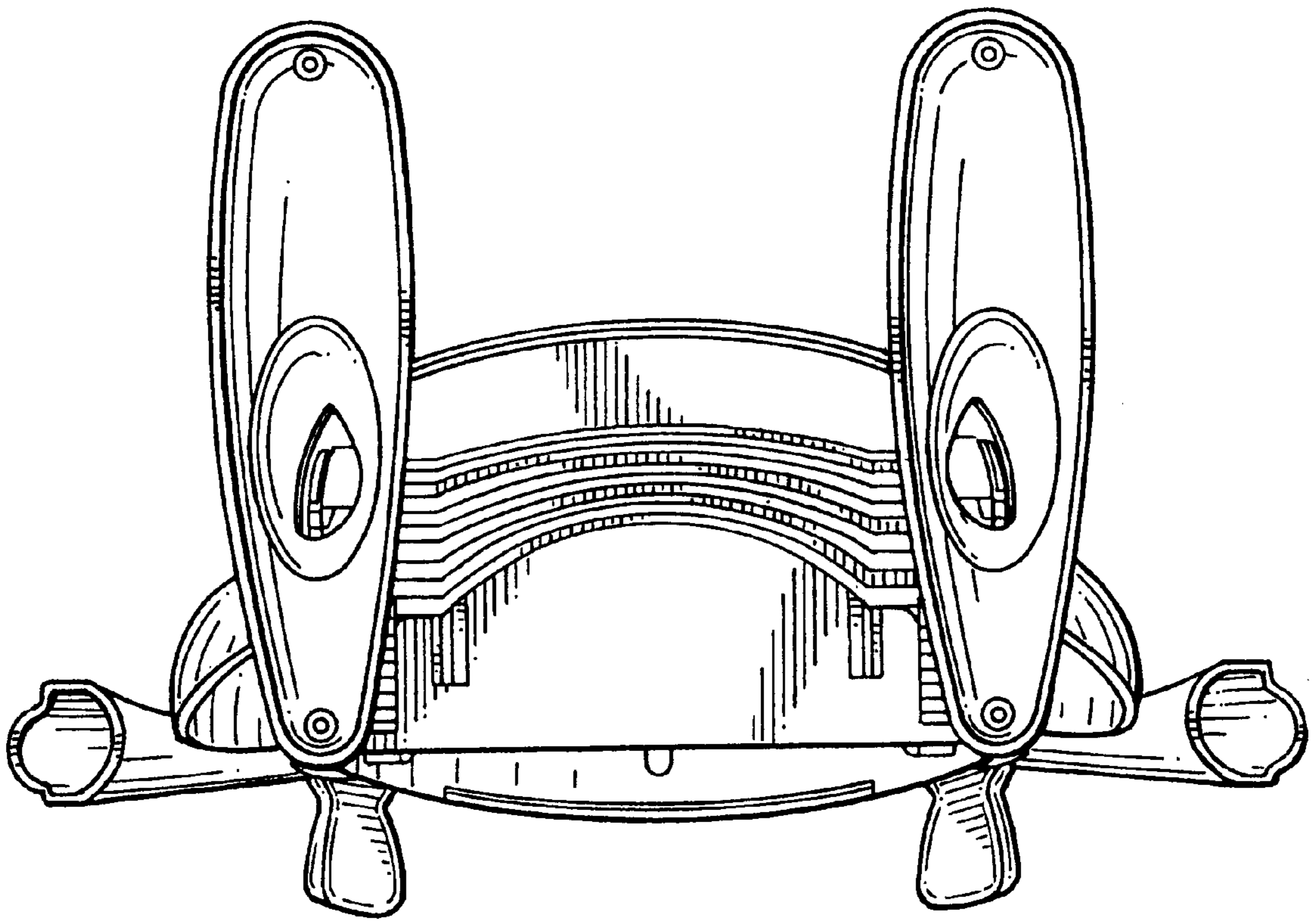


FIG. 7

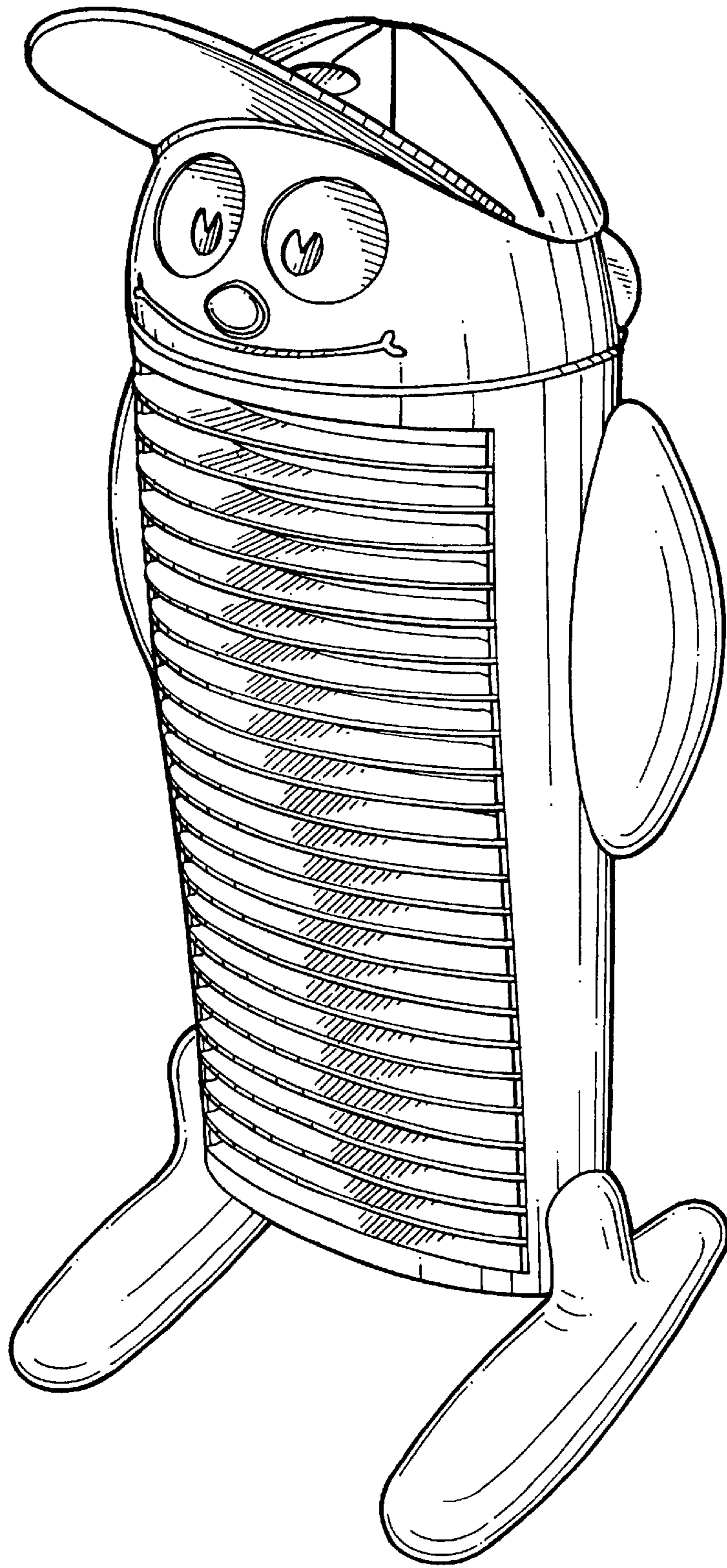


FIG. 8

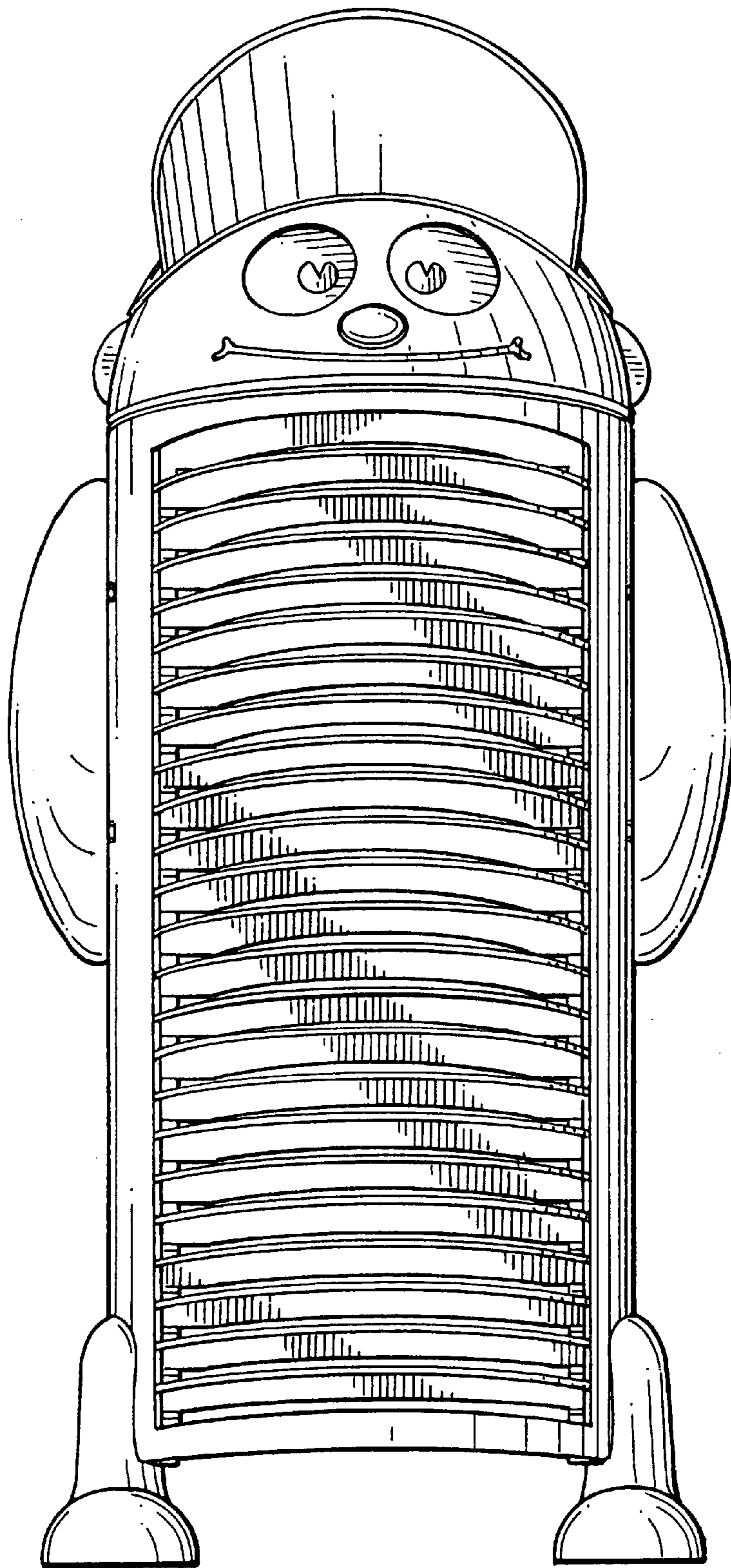


FIG. 9

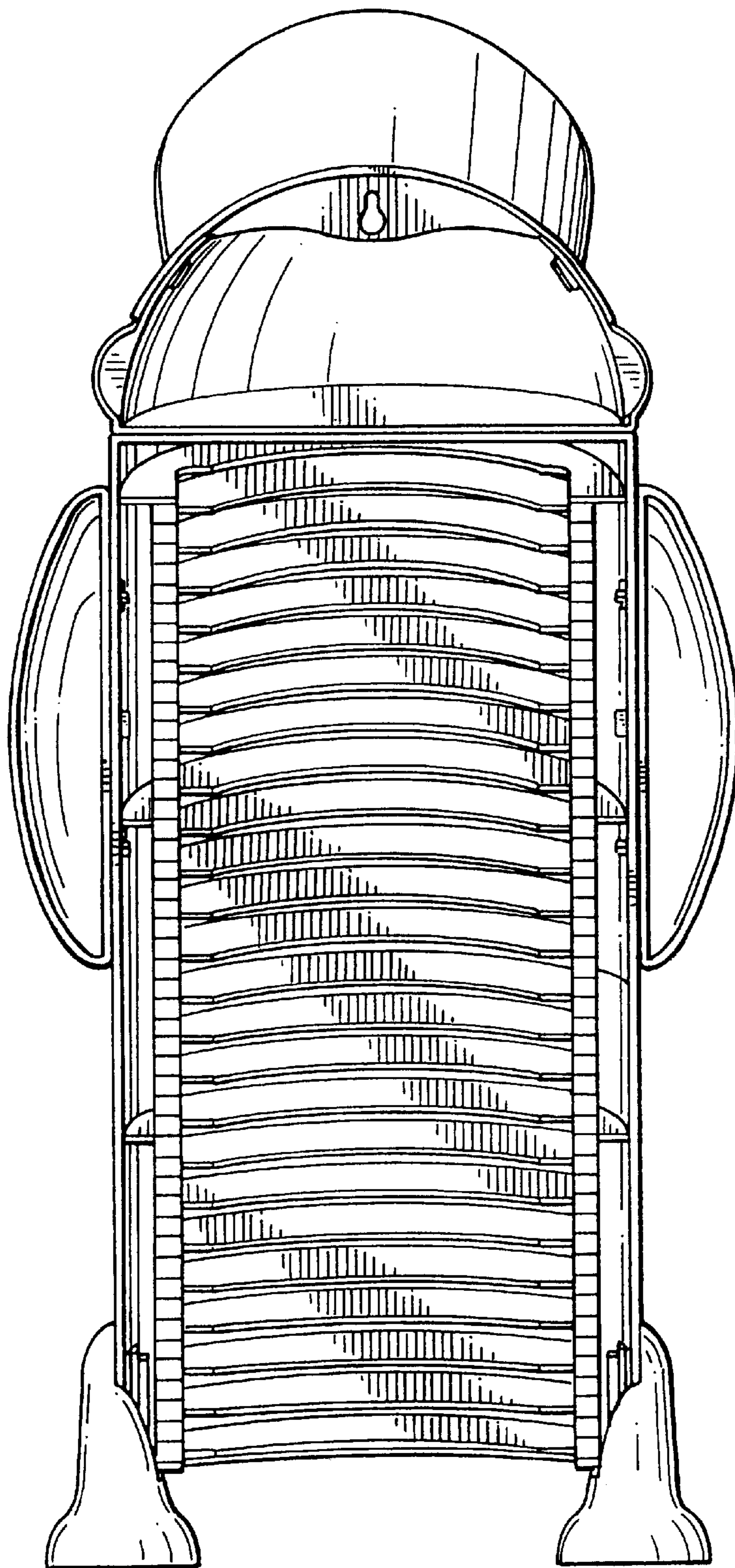


FIG. 10

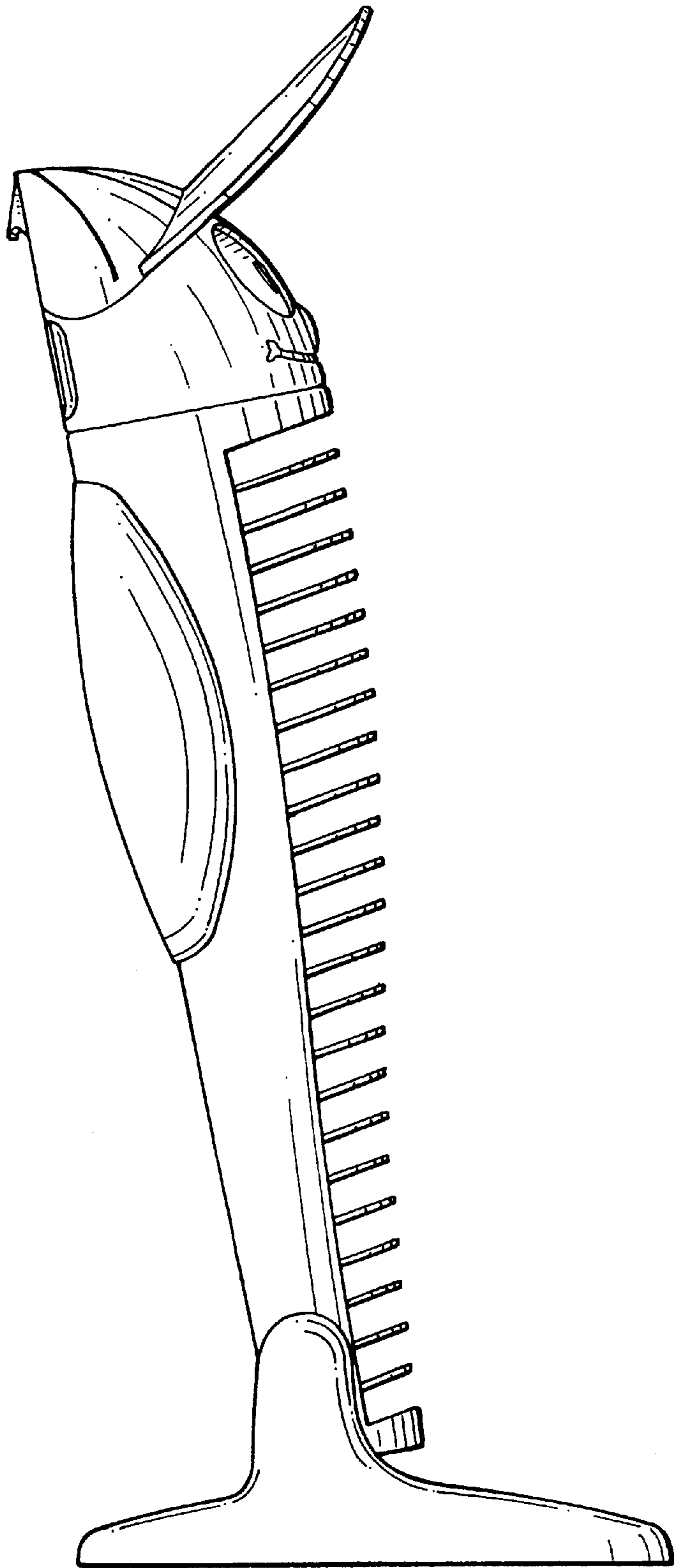


FIG. 11

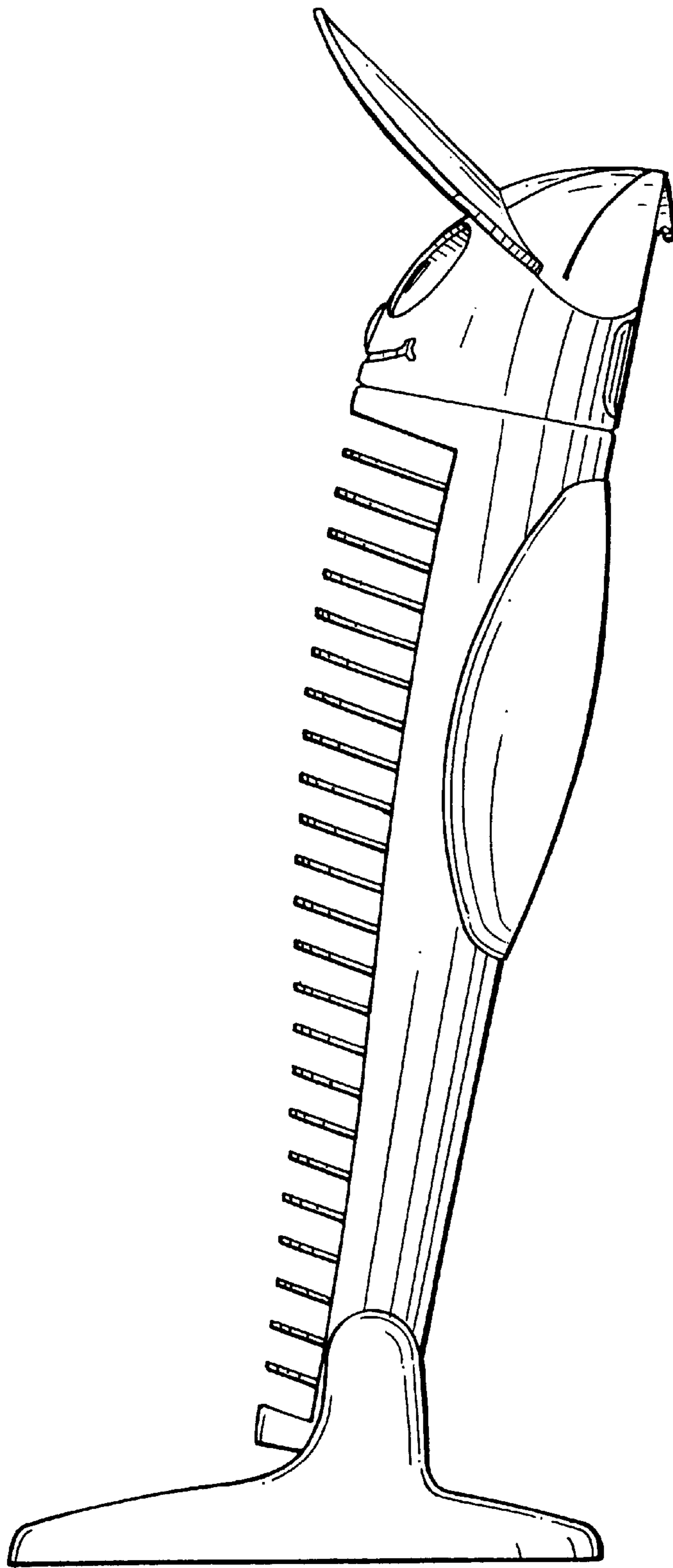


FIG. 12

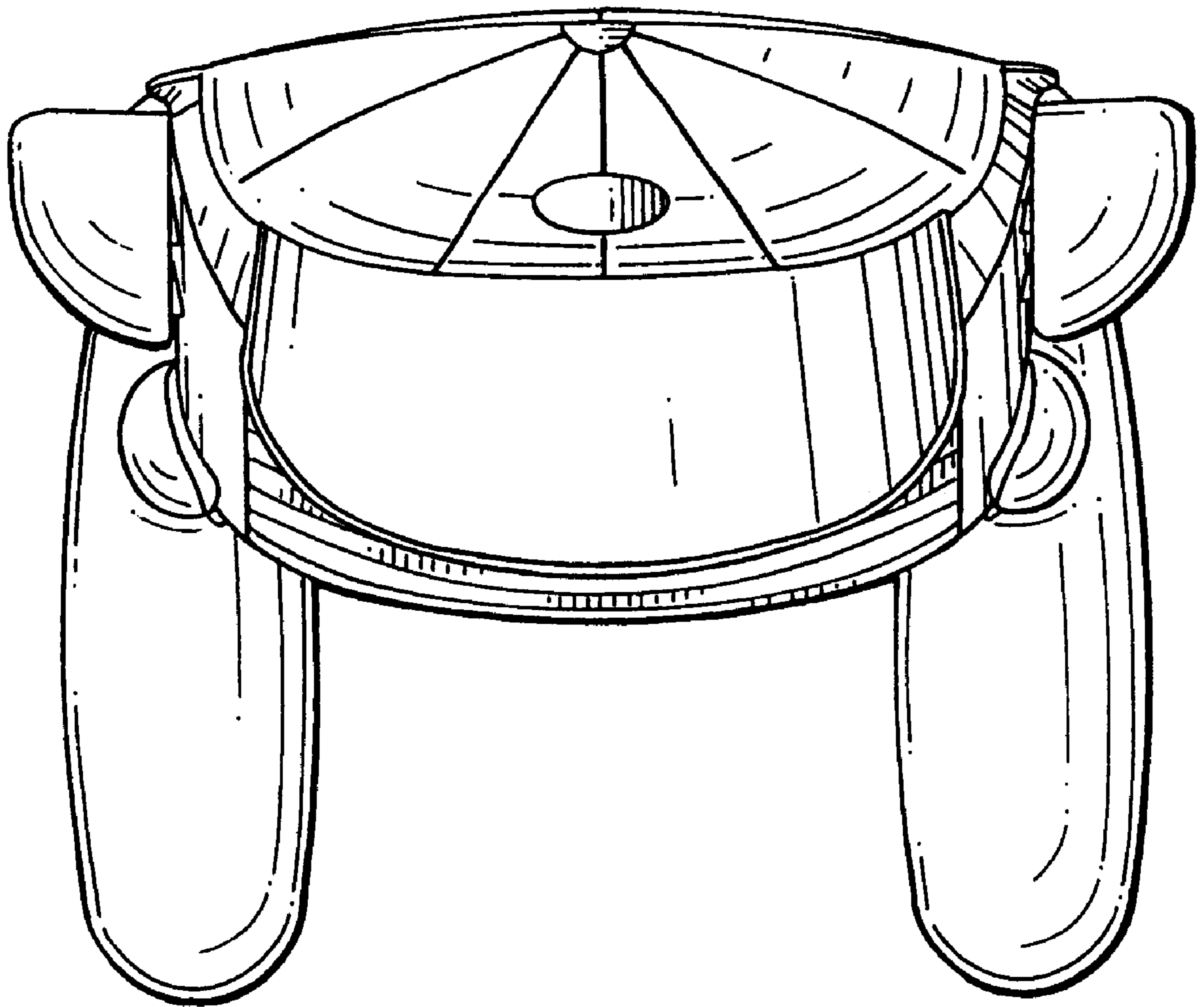


FIG. 13

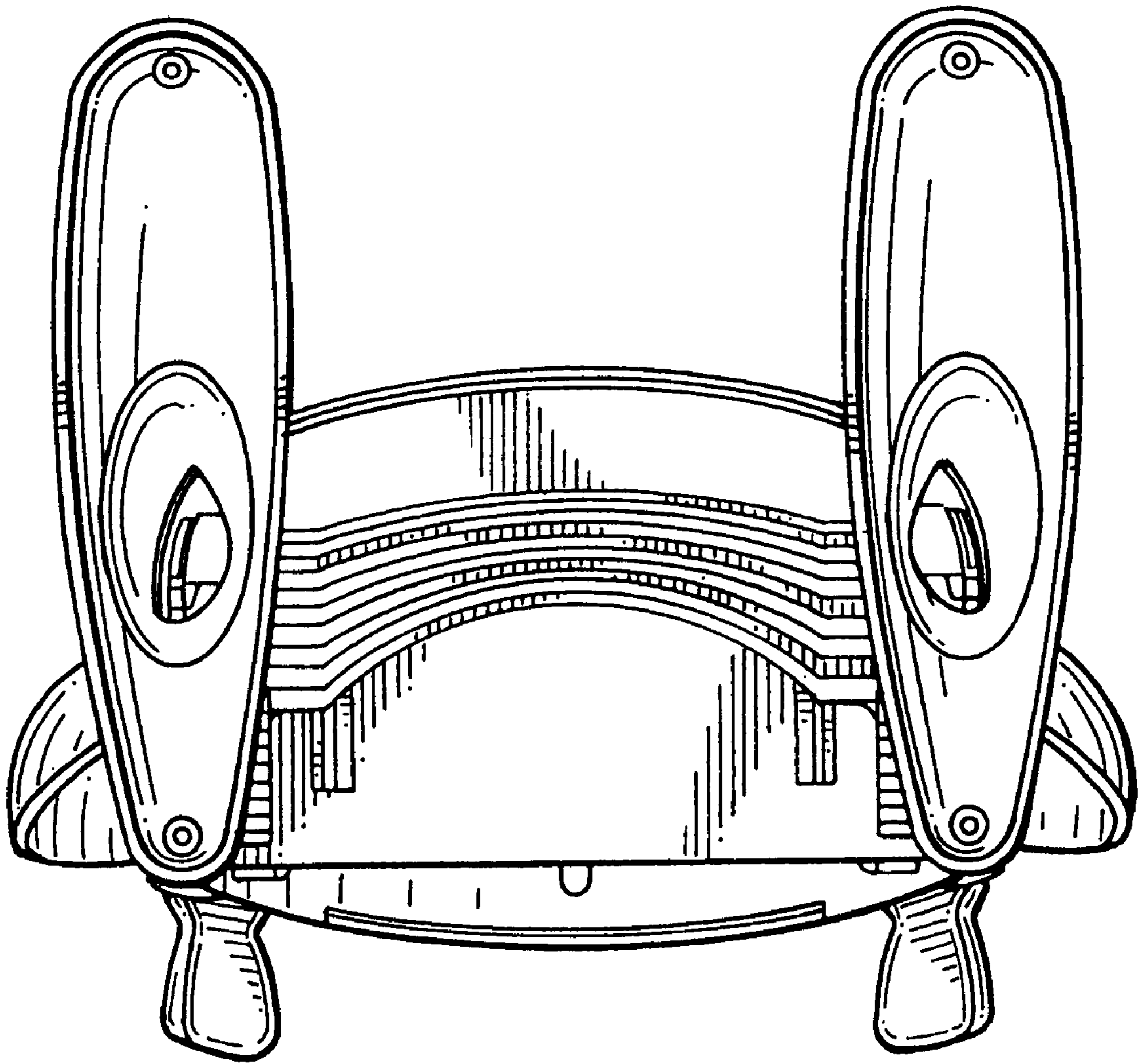


FIG. 14