



US00D465112S

(12) **United States Design Patent** (10) **Patent No.:** **US D465,112 S**  
**Pathiratne** (45) **Date of Patent:** **\*\* Nov. 5, 2002**

(54) **END FRAME FOR A FUTON**

(76) Inventor: **S. Sean Pathiratne**, 506 Landfair Cir.,  
San Jose, CA (US) 95136

(\*\*) Term: **14 Years**

(21) Appl. No.: **29/151,571**

(22) Filed: **Nov. 13, 2001**

(51) **LOC (7) Cl.** ..... **06-06**

(52) **U.S. Cl.** ..... **D6/492; D6/335; D6/381**

(58) **Field of Search** ..... D6/334, 335, 336,  
D6/370, 371, 373, 379, 381, 492, 500,  
501, 502; 5/12.1; 297/232, 411.45, 452.63

(56) **References Cited**

**U.S. PATENT DOCUMENTS**

D35,082 S	*	9/1901	Stickley	.....	D6/379
1,248,702 A	*	12/1917	Percival	.....	5/12.1
1,262,110 A	*	4/1918	Slack	.....	5/12.1
D151,295 S		10/1948	Stanley		
D222,831 S		1/1972	Lax		
D224,861 S		10/1972	Fisher		
D225,145 S	*	11/1972	Winrow	.....	D6/379
D240,680 S	*	7/1976	Nash	.....	D6/379
D271,446 S	*	11/1983	Long	.....	D6/381
D273,254 S		4/1984	Fairaizen		
D350,858 S		9/1994	Warren		
D353,721 S	*	12/1994	Lowman	.....	D6/379
D360,538 S		7/1995	Skalka		
D368,173 S		3/1996	Kramer		
D379,278 S		5/1997	Zeinfeld et al.		
D423,830 S		5/2000	Schlichter et al.		
D424,315 S		5/2000	Jeng		
D425,338 S	*	5/2000	Schlichter et al.	.....	D6/492
D425,339 S		5/2000	Schlichter et al.		

**OTHER PUBLICATIONS**

L.L. Bean, p. 24, chair at top left, ©1992.\*  
U.S. patent application Ser. No. 29/150,594, Pathiratne, filed  
Nov. 6, 2001.\*

U.S. patent application Ser. No. 29/150,597, Pathiratne, filed  
Nov. 6, 2001.\*

U.S. patent application Ser. No. 29/150,596, Pathiratne, filed  
Nov. 6, 2001.\*

U.S. patent application Ser. No. 29/150,591, Pathiratne, filed  
Nov. 6, 2001.\*

U.S. patent application Ser. No. 29/150,593, Pathiratne, filed  
Nov. 6, 2001.\*

\* cited by examiner

*Primary Examiner*—Gary D. Watson

(74) *Attorney, Agent, or Firm*—Kenneth C. Brooks

(57) **CLAIM**

The ornamental design for an end frame for a futon, as  
shown and described.

**DESCRIPTION**

FIG. 1 is a perspective view of an end frame for a futon  
illustrating the features of the invention relating to the end  
portion in solid lines, and in broken lines to show the  
environment in which the invention is claimed, with the  
broken lines not forming a part of the claimed design;

FIG. 2 is a frontal view of the end frame shown in FIG. 1,  
with the understanding that the back view is a mirror image  
of the frontal view;

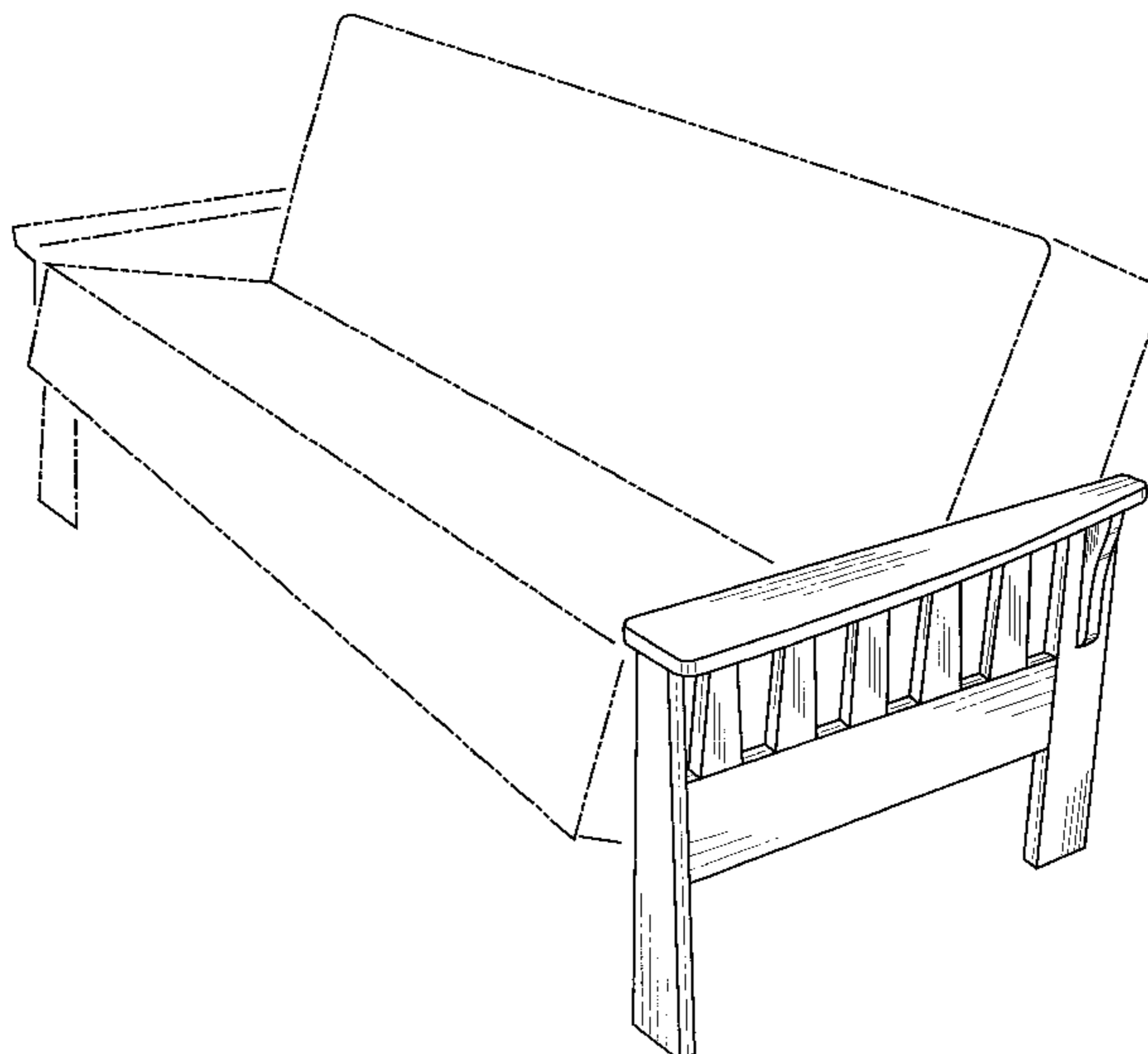
FIG. 3 is an end view of the end frame shown in FIG. 2;

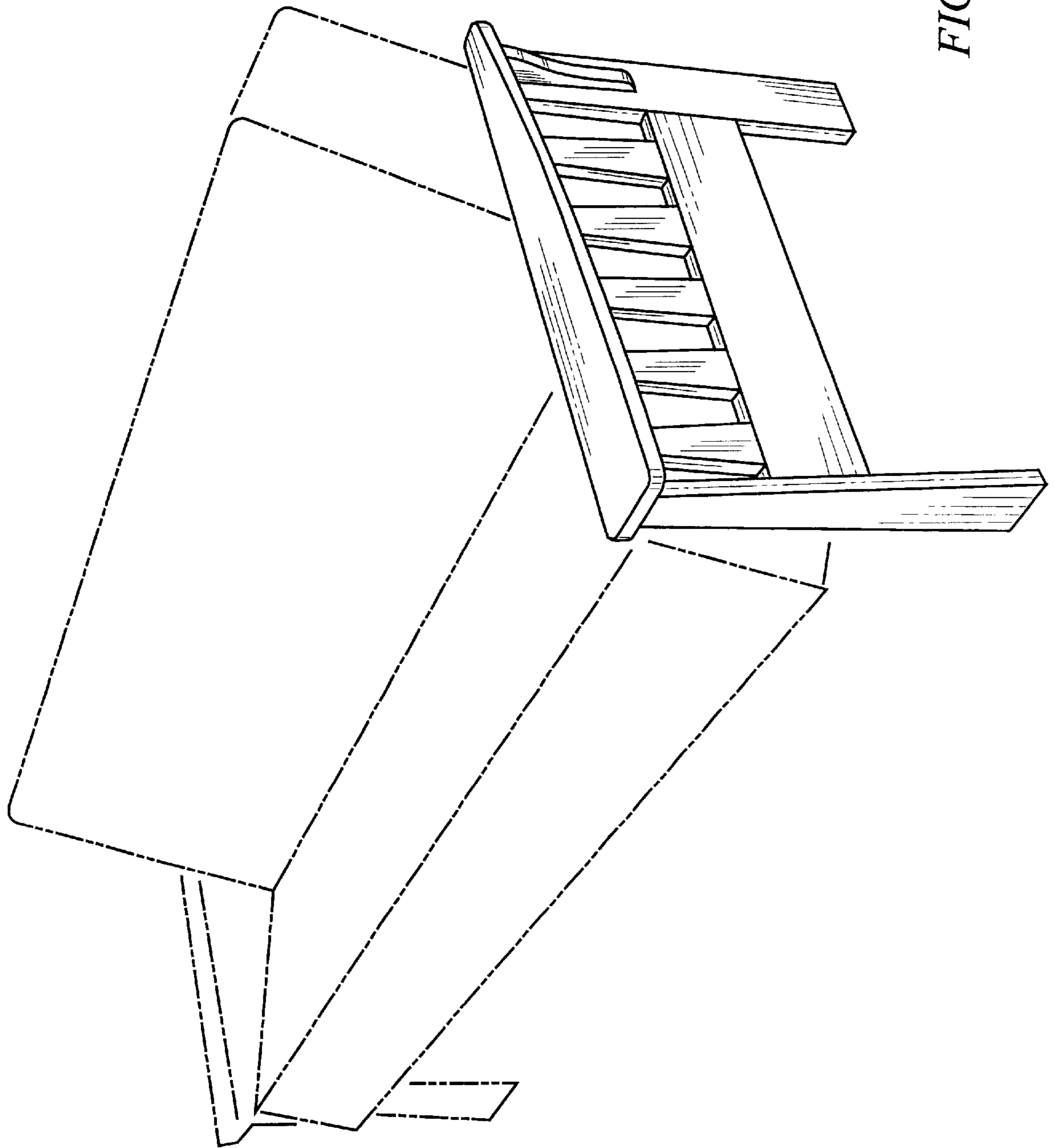
FIG. 4 is another end view of the end frame shown in FIG.  
2, taken from the opposing end of the end view shown in  
FIG. 3; and,

FIG. 5 is a top down view of the end frame shown in FIG.  
2.

It is submitted that the bottom view of the end frame does  
not form any part of the claimed design.

**1 Claim, 2 Drawing Sheets**





*FIG. 1*

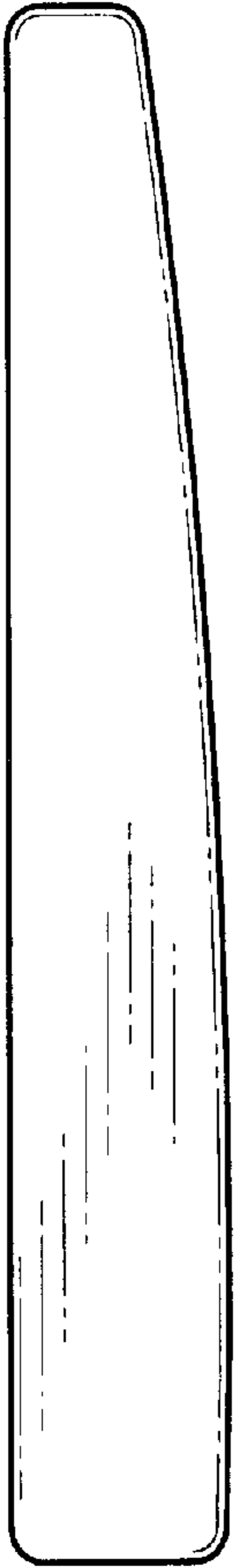


FIG. 5

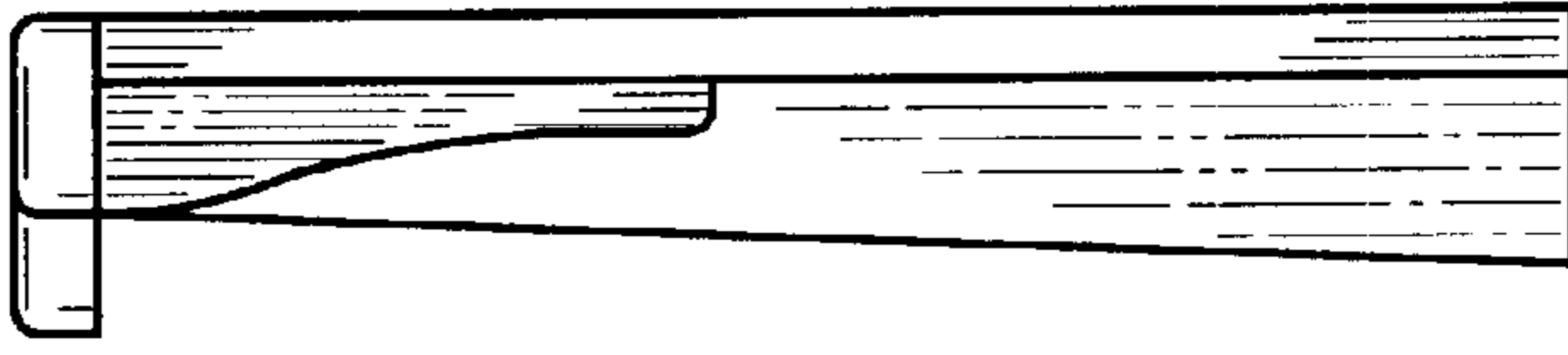


FIG. 4

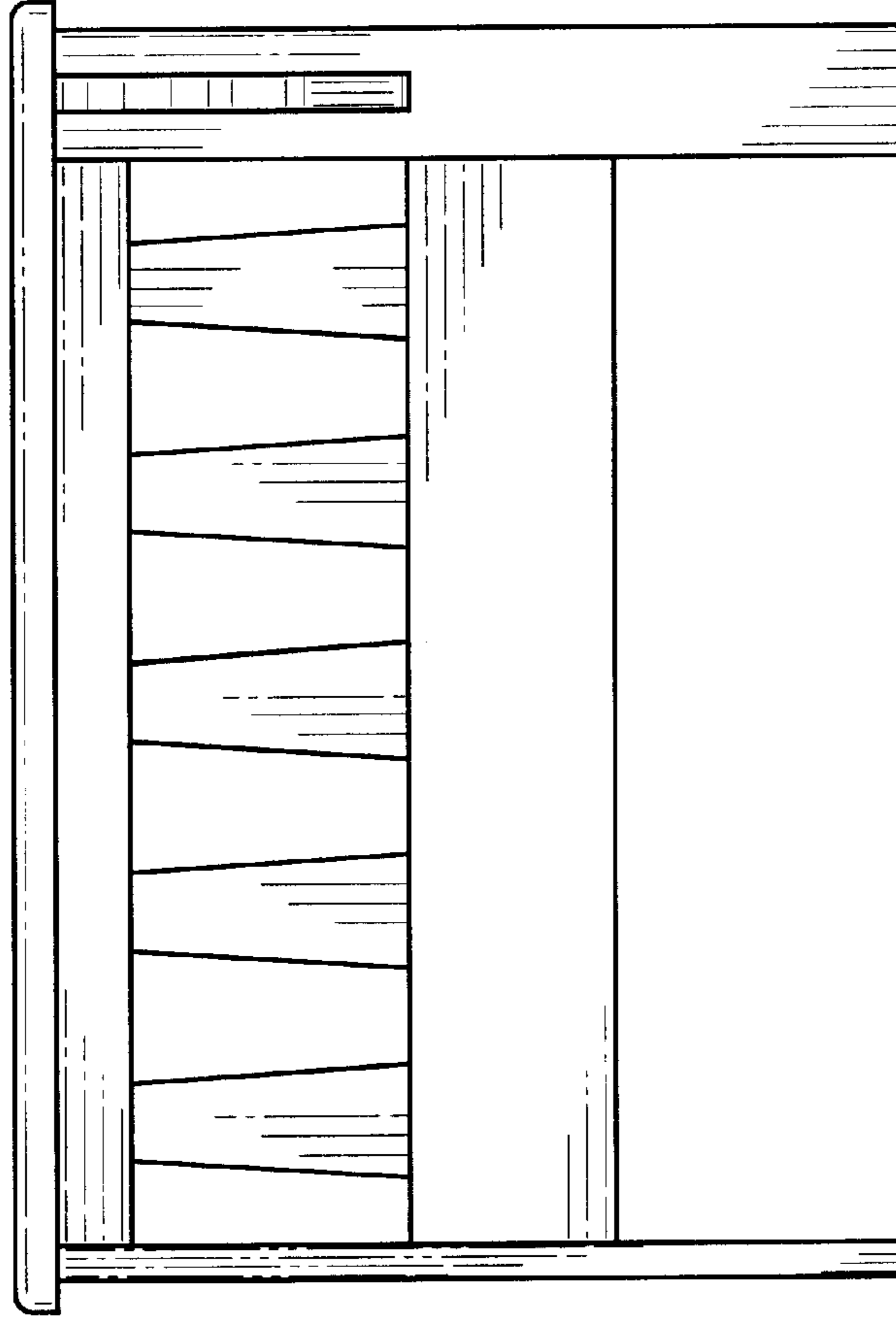


FIG. 2

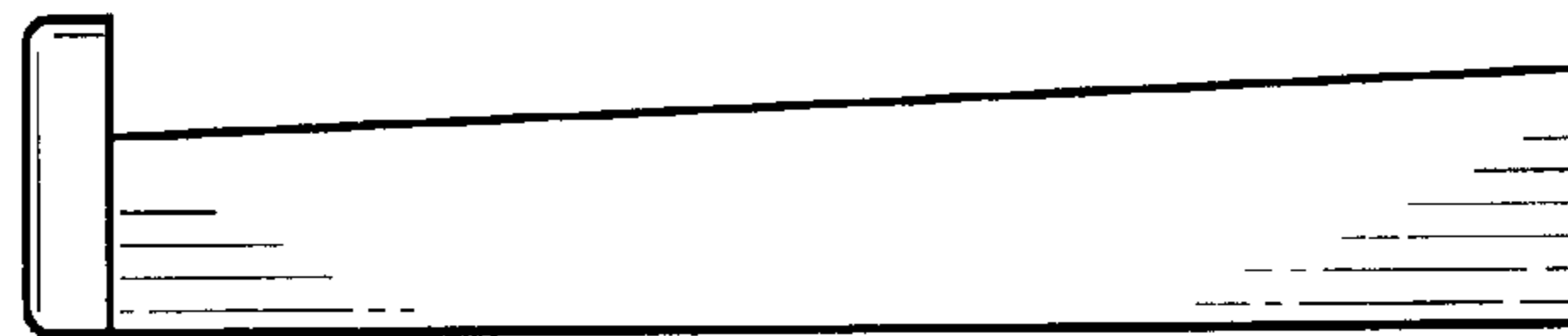


FIG. 3