

US00D465111S

(12) **United States Design Patent**
McDaniel et al.

(10) **Patent No.:** **US D465,111 S**

(45) **Date of Patent:** **** Nov. 5, 2002**

(54) **TABLE**

(75) Inventors: **Thomas M. McDaniel**, Morganton, NC (US); **D. Scott Coley**, Morganton, NC (US)

(73) Assignee: **Bernhardt, L.L.C.**, Lenoir, NC (US)

(**) Term: **14 Years**

(21) Appl. No.: **29/149,527**

(22) Filed: **Oct. 11, 2001**

(51) **LOC (7) Cl.** **06-03**

(52) **U.S. Cl.** **D6/480**

(58) **Field of Search** D6/480-489, 495-499, D6/511; 108/153.1, 155, 156, 161; 248/188, 188.8, 188.1

(56) **References Cited**

U.S. PATENT DOCUMENTS

D343,077 S	*	1/1994	Wegener	D6/480
D355,800 S	*	2/1995	Ward	D6/484
D388,980 S	*	1/1998	Mohundro	D6/480

OTHER PUBLICATIONS

Photocopy of an advertisement French Style Farmhouse Table from Phelps Limited, undated.

Photocopy of a table; author unknown, undated.

Pennsylvania House, Jun. 1994, p. 137, table at top left.*

* cited by examiner

Primary Examiner—Janice E. Seeger

(74) *Attorney, Agent, or Firm*—MacCord Mason PLLC

(57) **CLAIM**

The ornamental design for a table, as shown and described.

DESCRIPTION

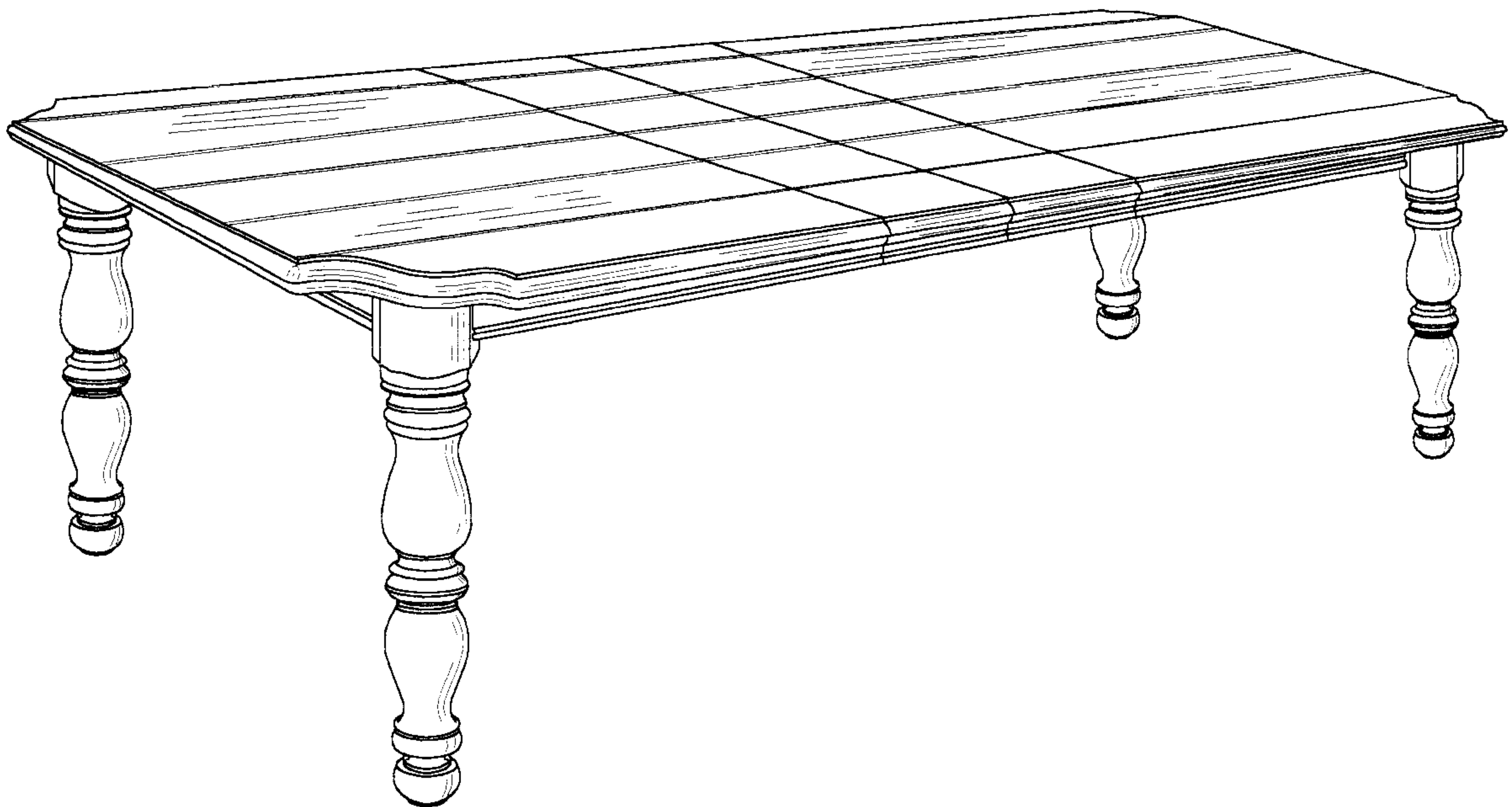
FIG. 1 is a left front perspective view of a table showing my new design;

FIG. 2 is a side view, the opposite side being a mirror image thereof;

FIG. 3 is a end view, the opposite end being a mirror image thereof; and,

FIG. 4 is a top view.

1 Claim, 4 Drawing Sheets



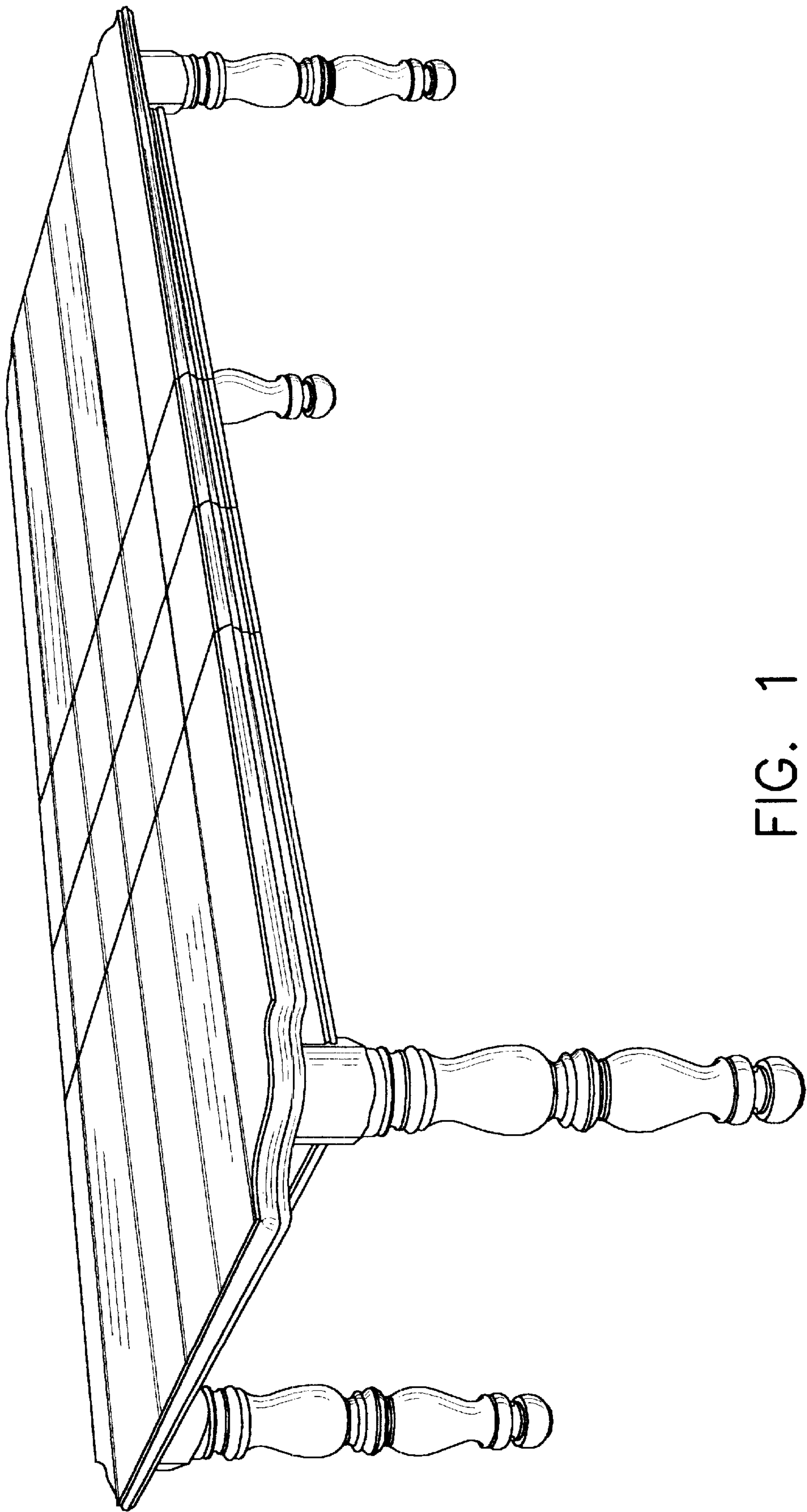


FIG. 1

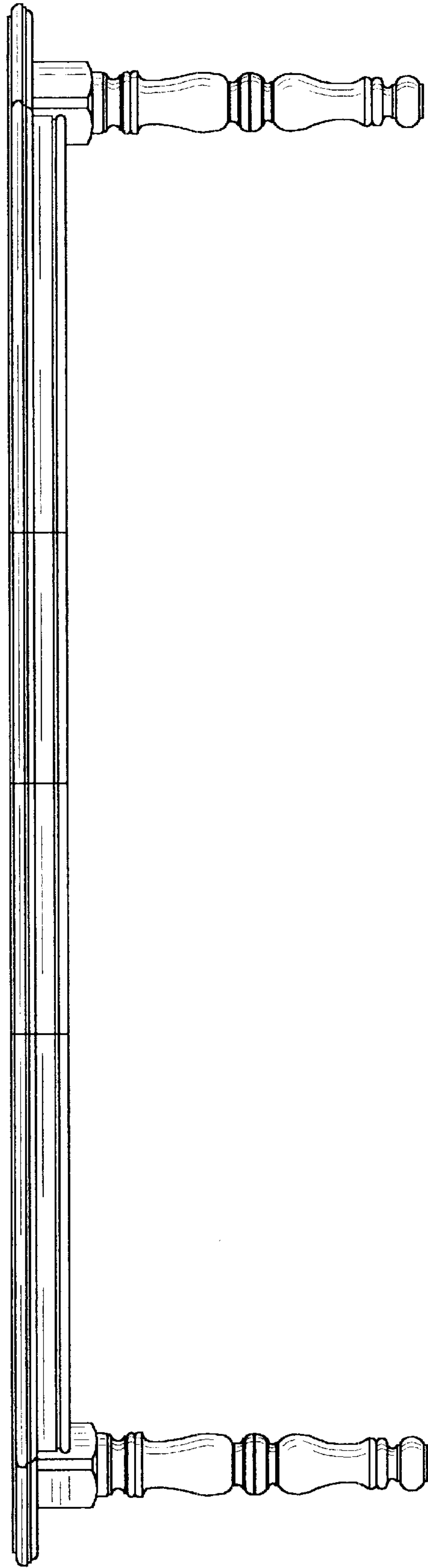


FIG. 2

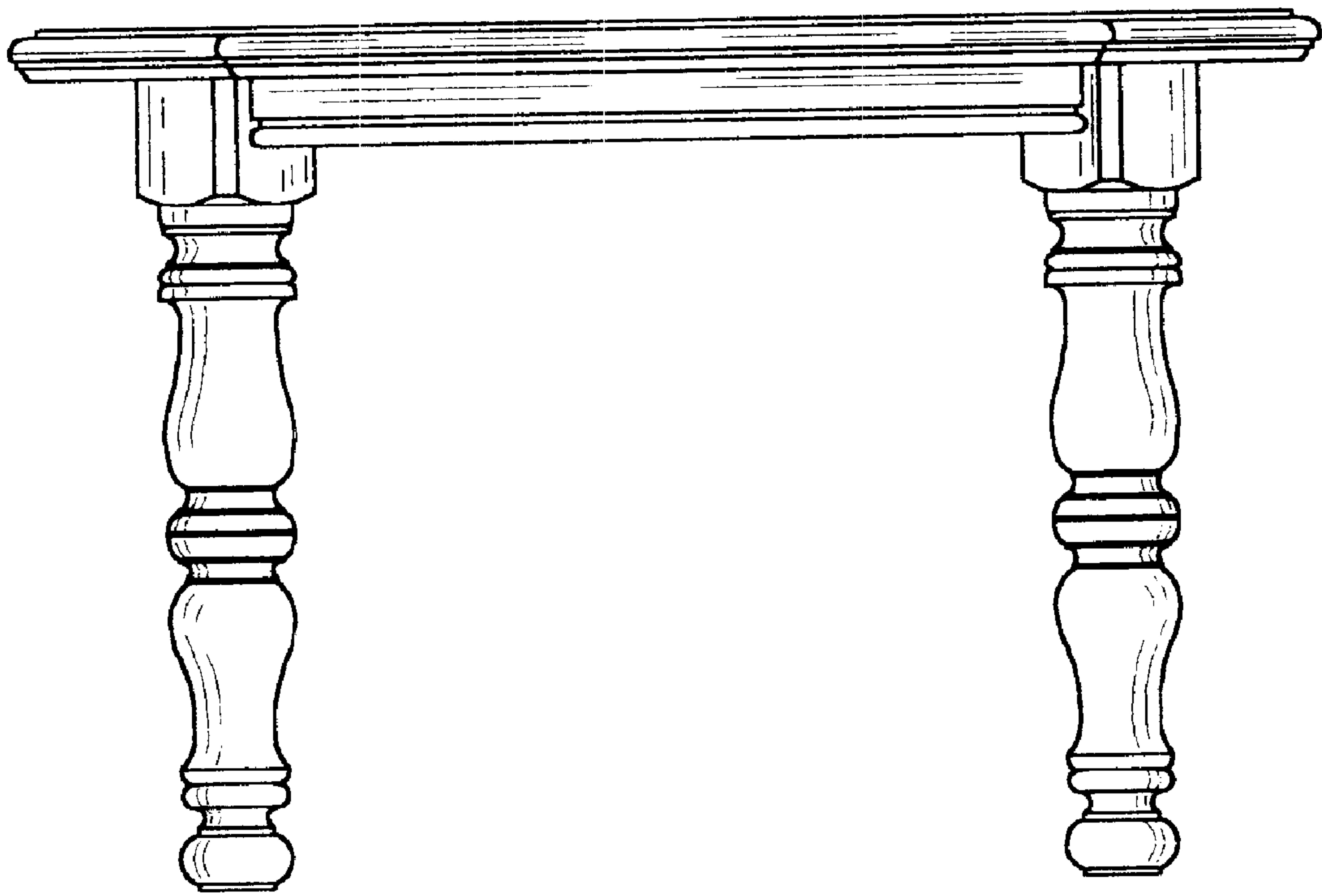


FIG. 3

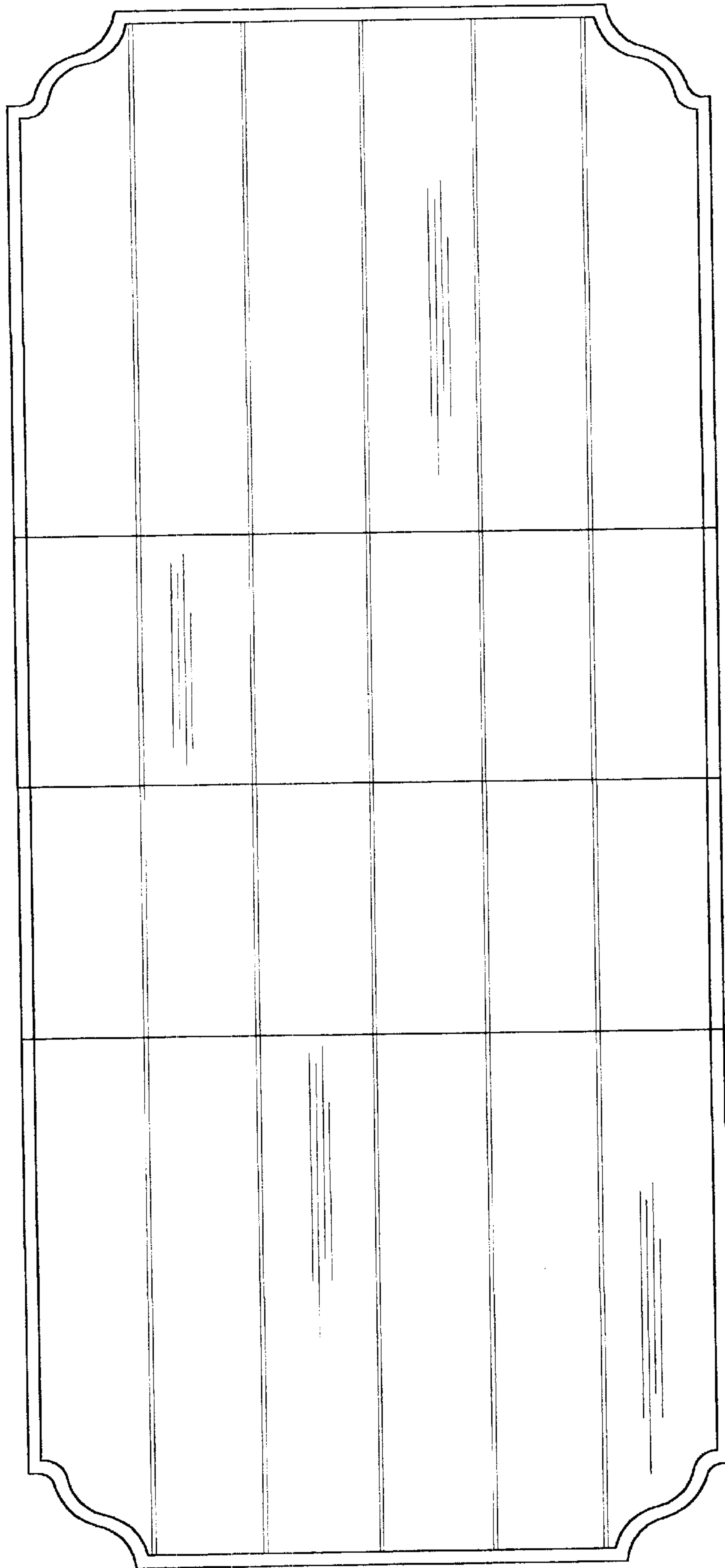


FIG. 4