



US00D465107S

(12) **United States Design Patent**
Ngan

(10) **Patent No.:** **US D465,107 S**

(45) **Date of Patent:** **** Nov. 5, 2002**

(54) **DISPLAY BOX**

D448,950 S * 10/2001 McIveen D6/449

(75) Inventor: **Roger Chi-Wing Ngan**, Kowloon (CN)

* cited by examiner

(73) Assignee: **May Cheong Toy Products Factory Limited**, Kowloon (CN)

Primary Examiner—Cathron C. Brooks

(74) *Attorney, Agent, or Firm*—Alix, Yale & Ristas, LLP

(**) Term: **14 Years**

(57) **CLAIM**

The ornamental design for a display box, as shown and described.

(21) Appl. No.: **29/148,435**

(22) Filed: **Sep. 19, 2001**

DESCRIPTION

(30) **Foreign Application Priority Data**

Sep. 6, 2001 (HK) 0110510

FIG. 1 is a front perspective view of a display box showing my new design;

(51) **LOC (7) Cl.** **06-04**

FIG. 2 is a front elevational view thereof;

(52) **U.S. Cl.** **D6/449; D6/466**

FIG. 3 is a top plan view thereof;

(58) **Field of Search** D6/396, 449, 470, D6/466, 475; 312/114, 117, 118, 138.1, 204, 234; 248/176.1, 346.01, 346.03

FIG. 4 is a left side elevational view thereof;

FIG. 5 is a right side elevational view thereof;

FIG. 6 is a rear elevational view thereof;

FIG. 7 is a bottom plan view thereof;

FIG. 8 is a top plan view with optional parts attached;

FIG. 9 is a front view with optional parts attached;

FIG. 10 is a front perspective view with optional parts attached; and,

FIG. 11 is a front perspective view in rotated position with optional parts attached.

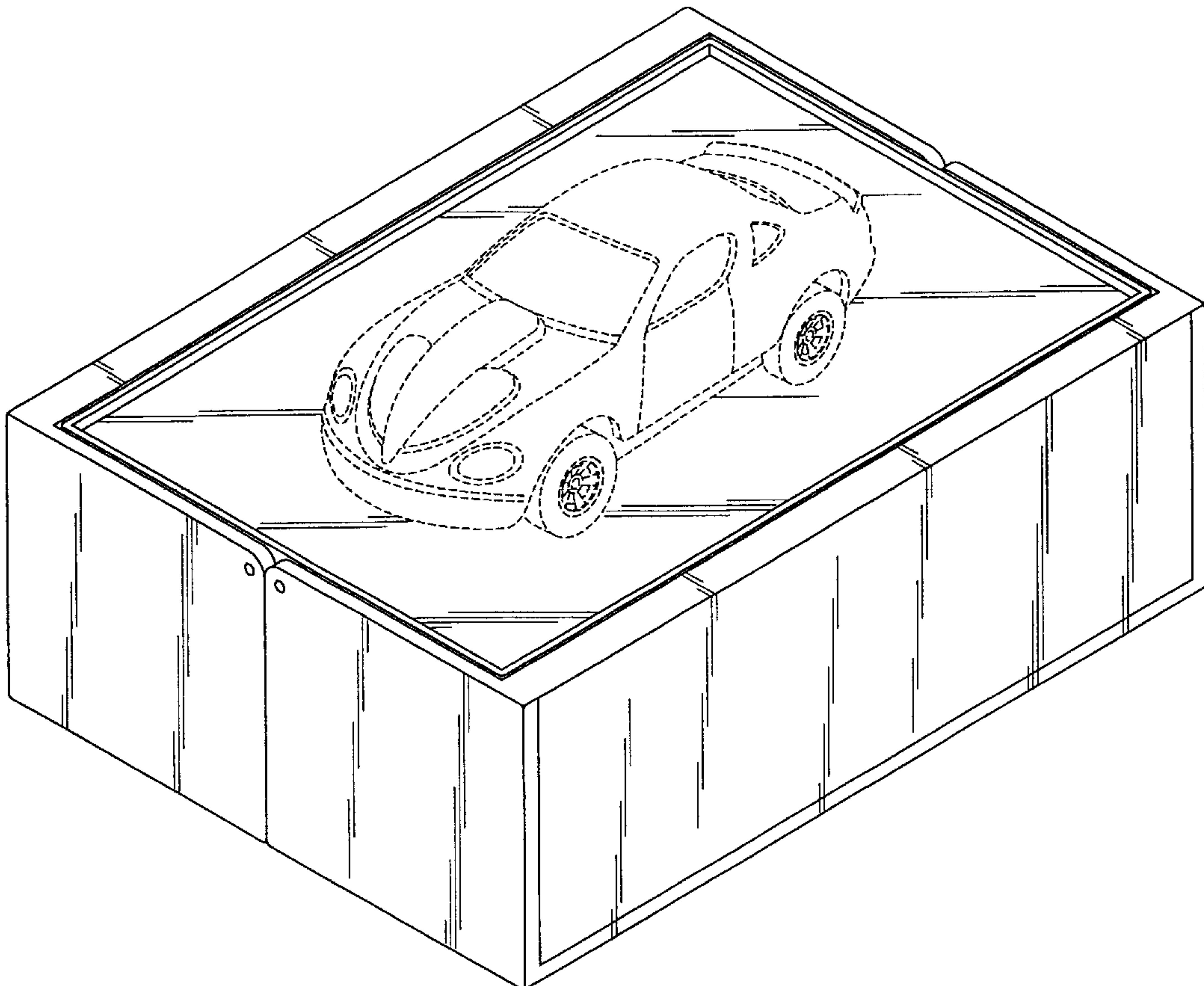
(56) **References Cited**

U.S. PATENT DOCUMENTS

- D237,438 S * 11/1975 Cripe D6/449
- D258,856 S * 4/1981 Coors D6/449
- D302,911 S * 8/1989 Pei-ai D6/472
- D382,906 S * 8/1997 Bach et al. D6/449 X
- D420,834 S * 2/2000 Anderson D6/449

The broken lines are added to clarify the drawings. No claim is made to the portions illustrated in broken lines.

1 Claim, 7 Drawing Sheets



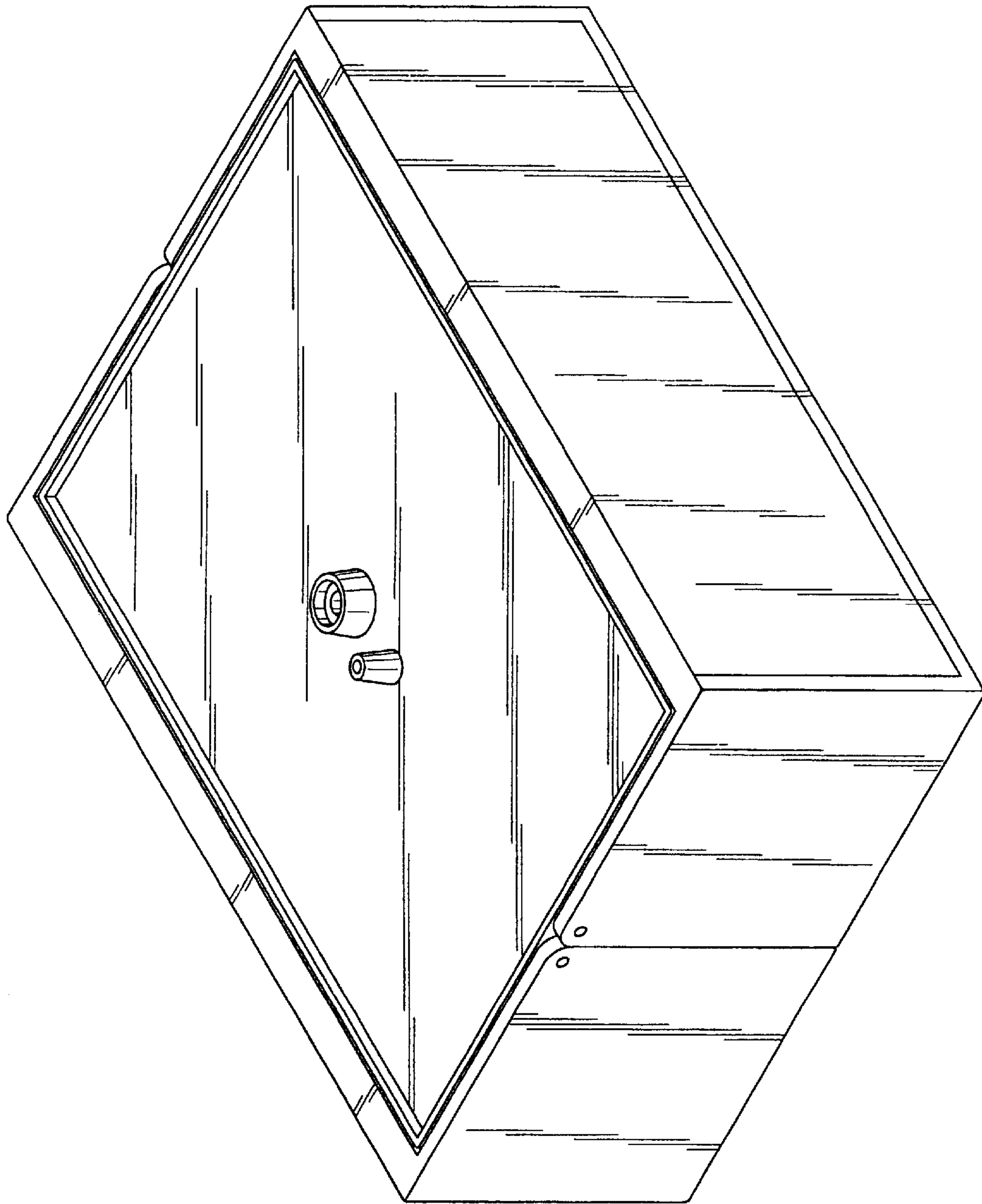


Figure 1

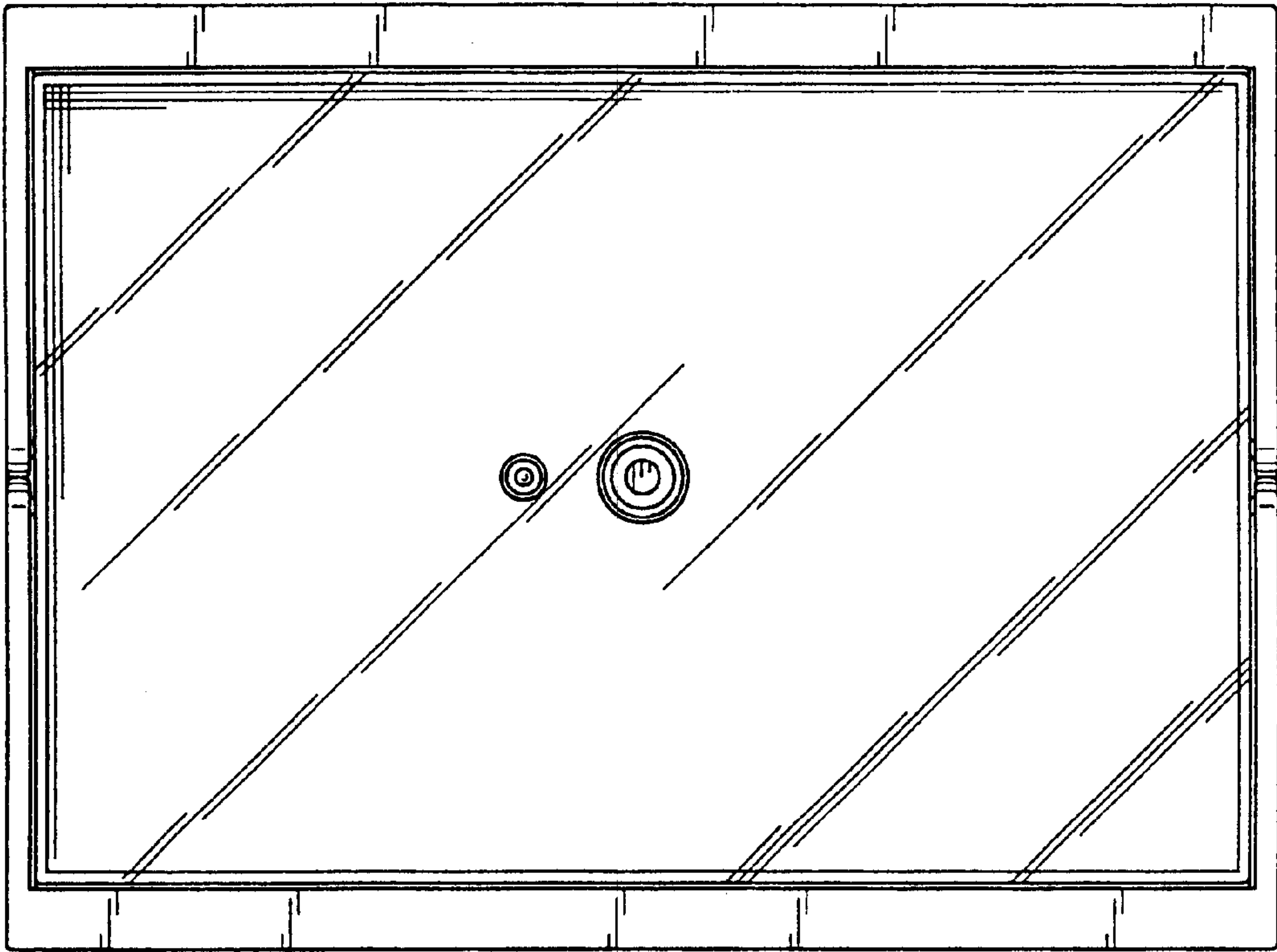


Figure 3

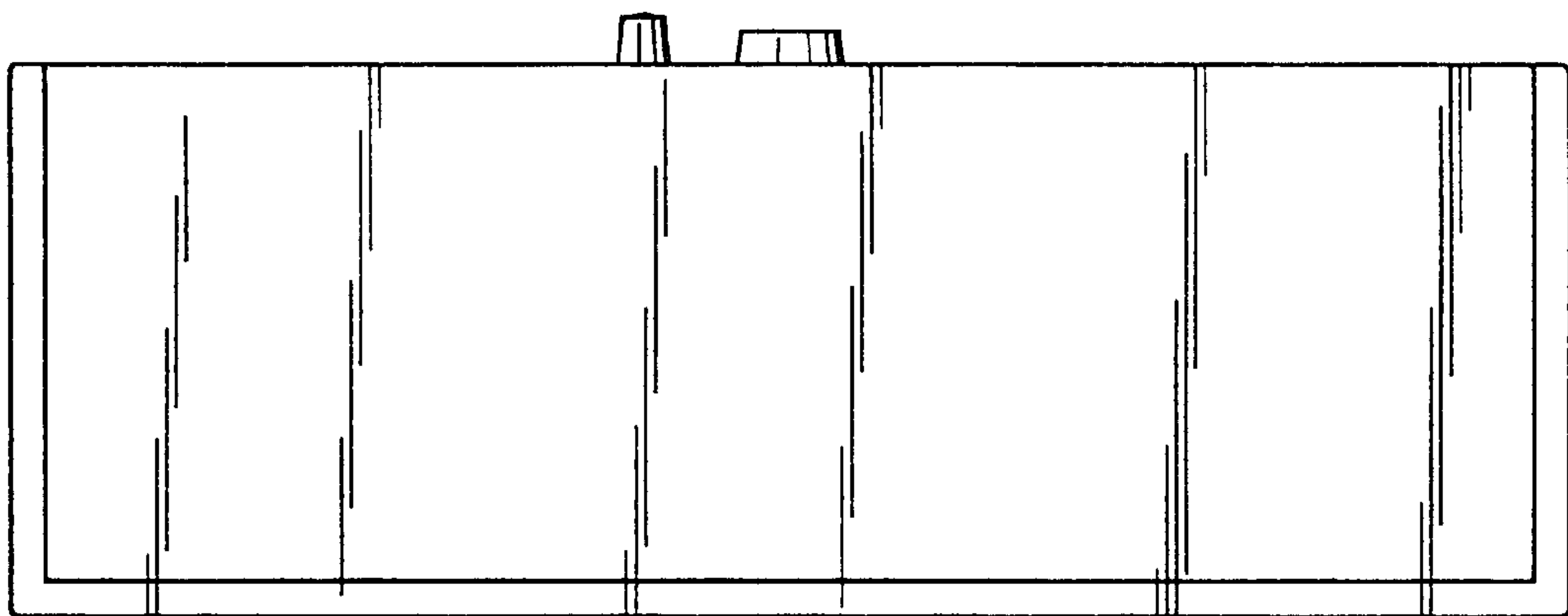


Figure 2

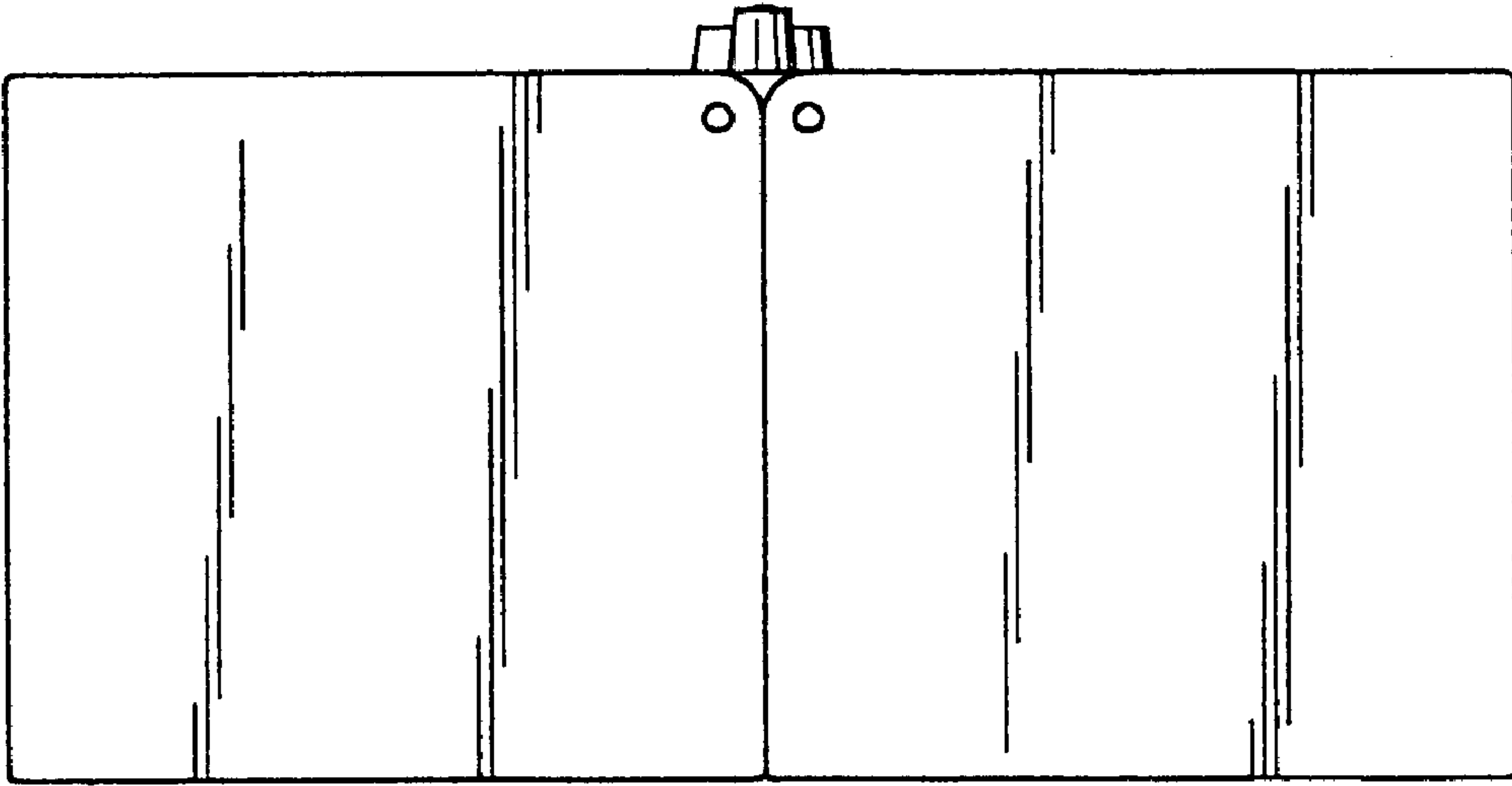


Figure 4

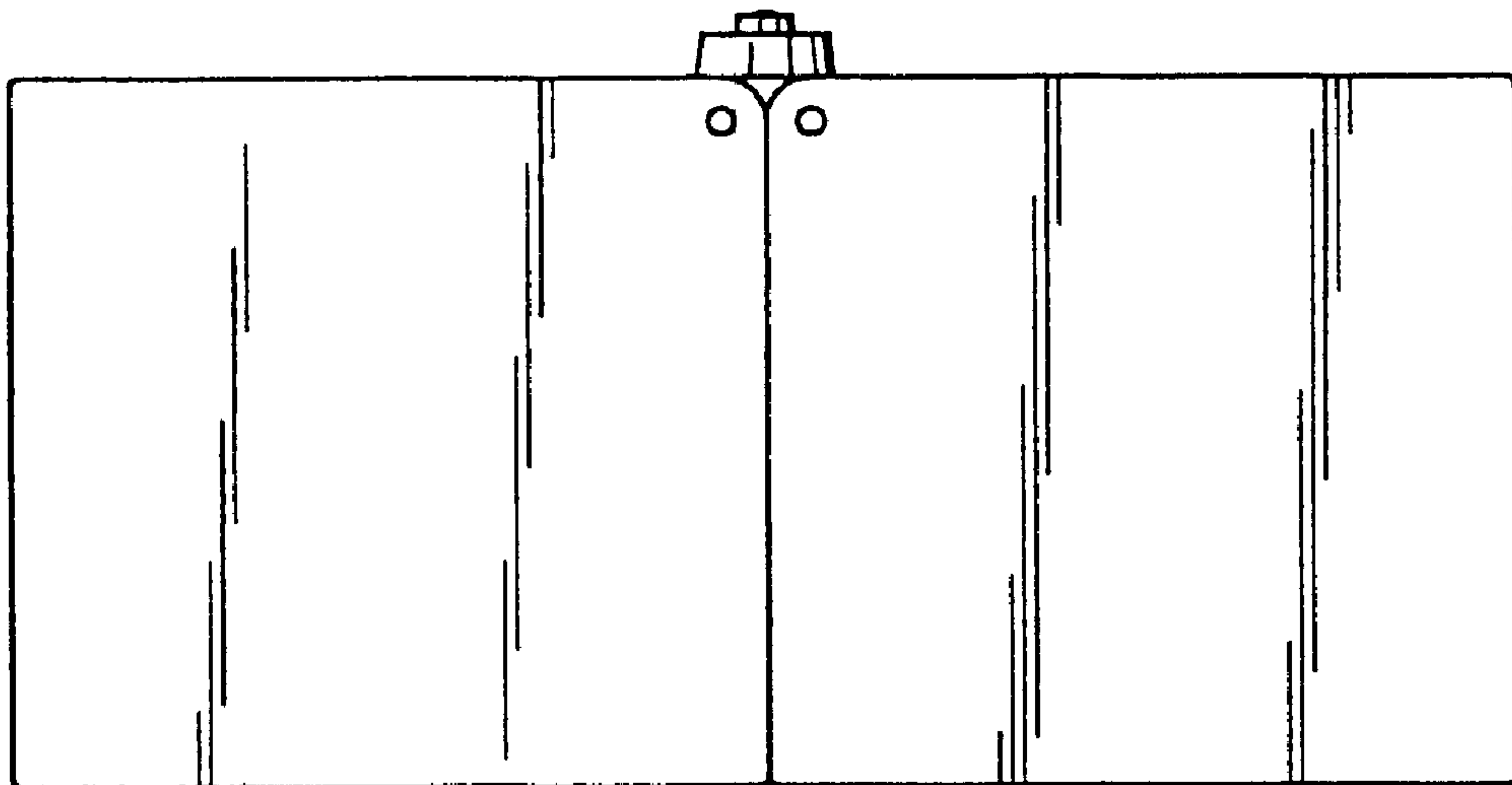


Figure 5

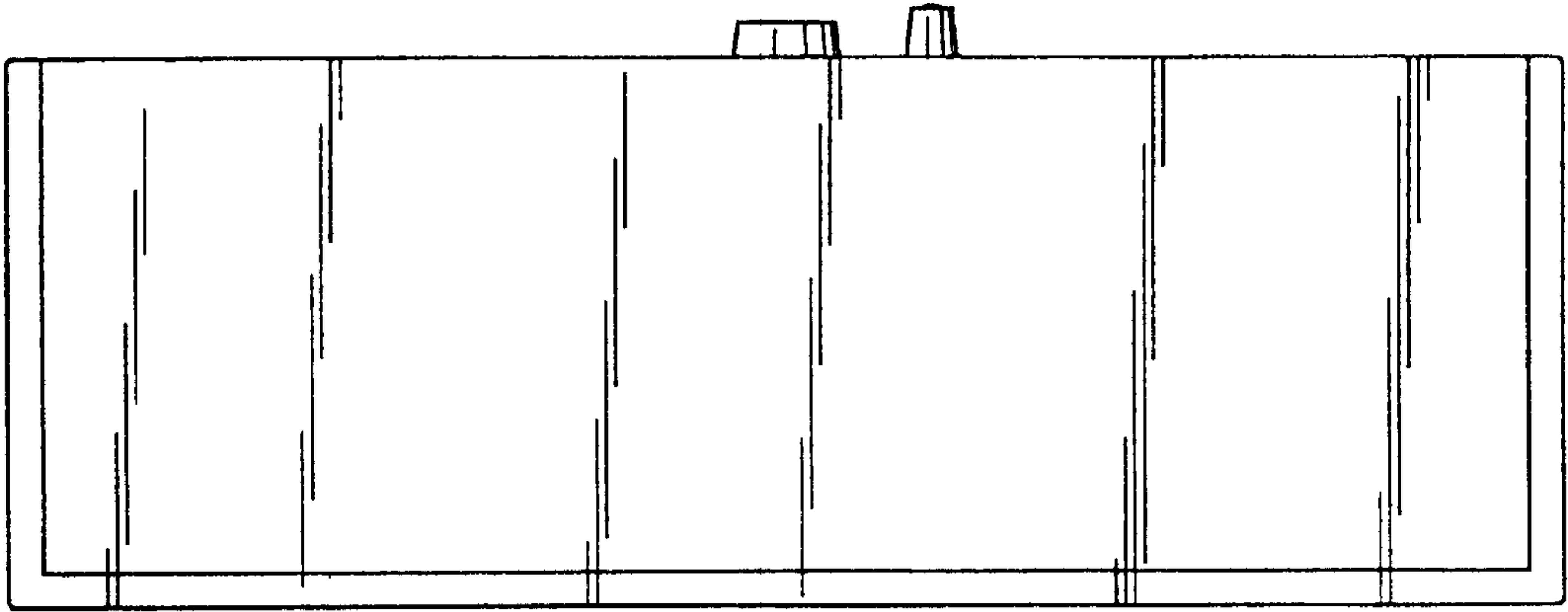


Figure 6

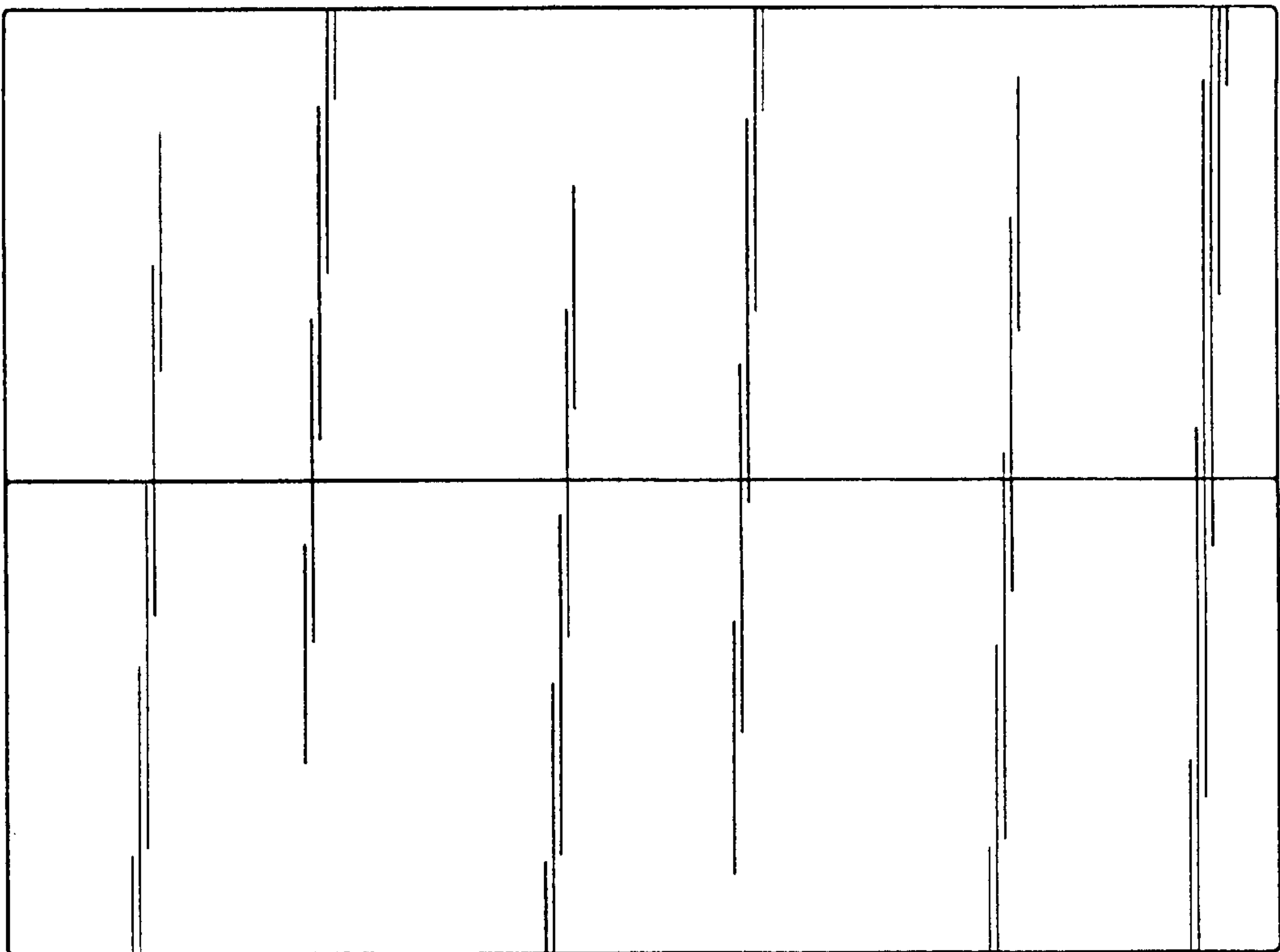


Figure 7

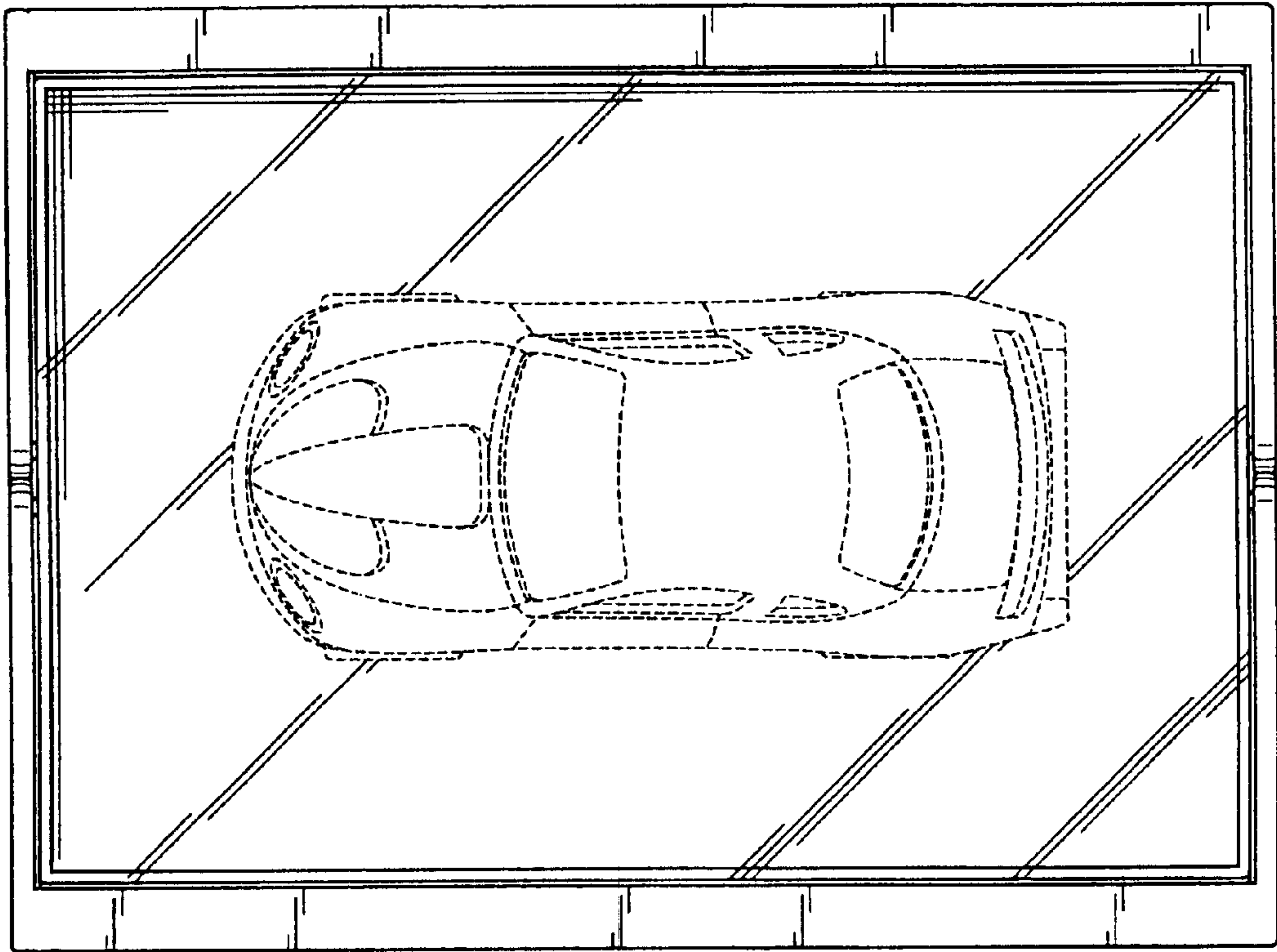


Figure 8

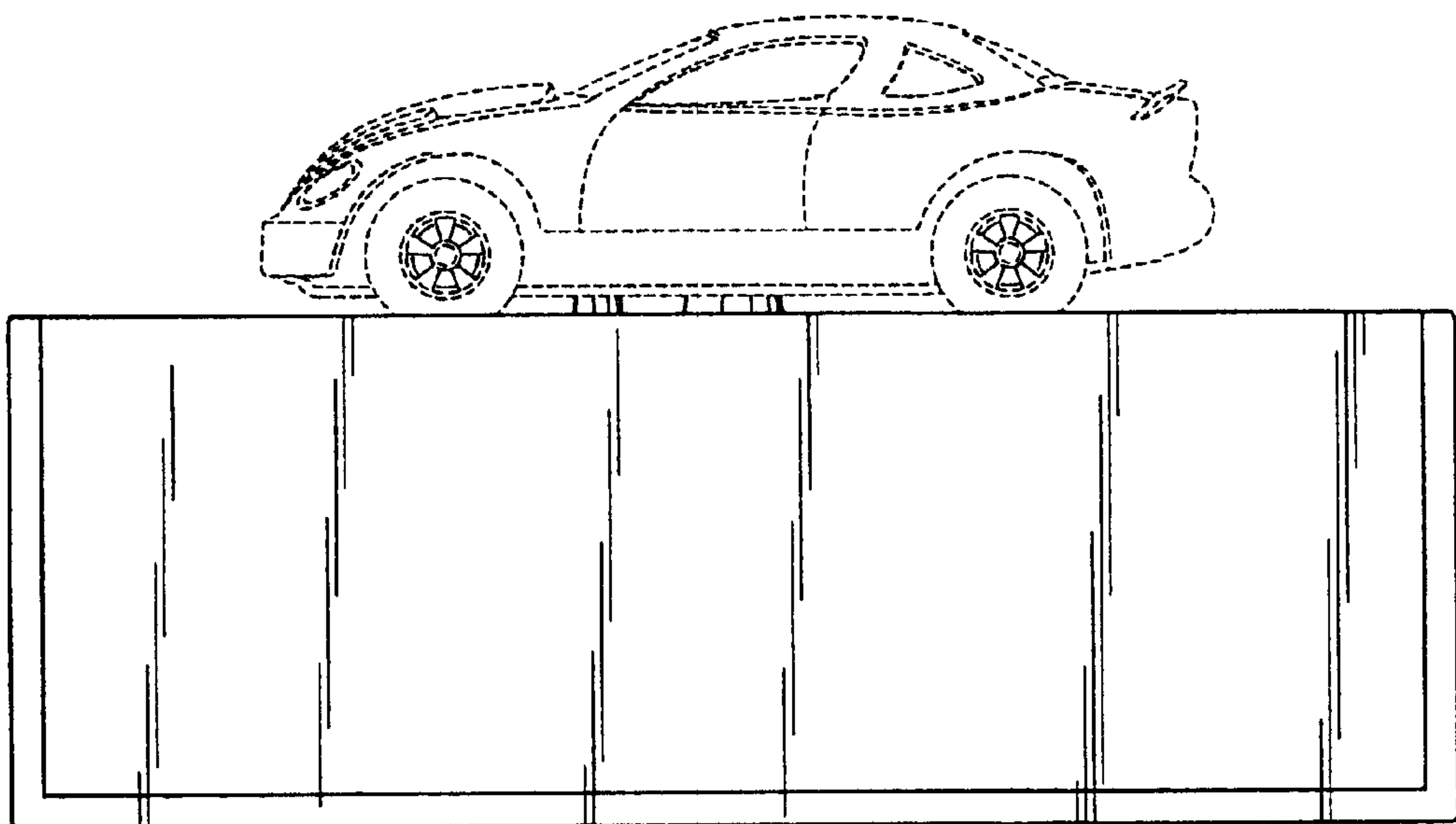


Figure 9

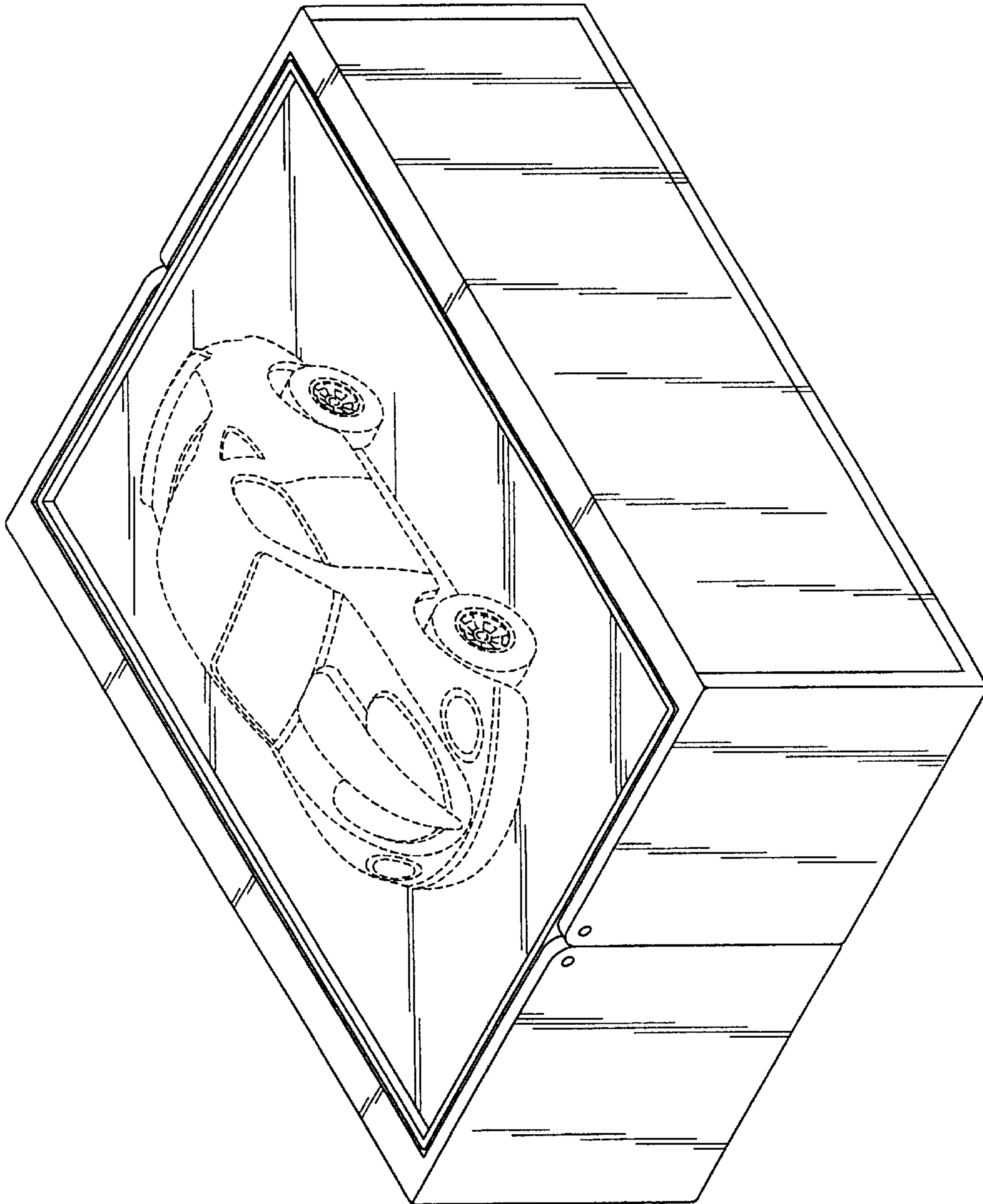


Figure 10

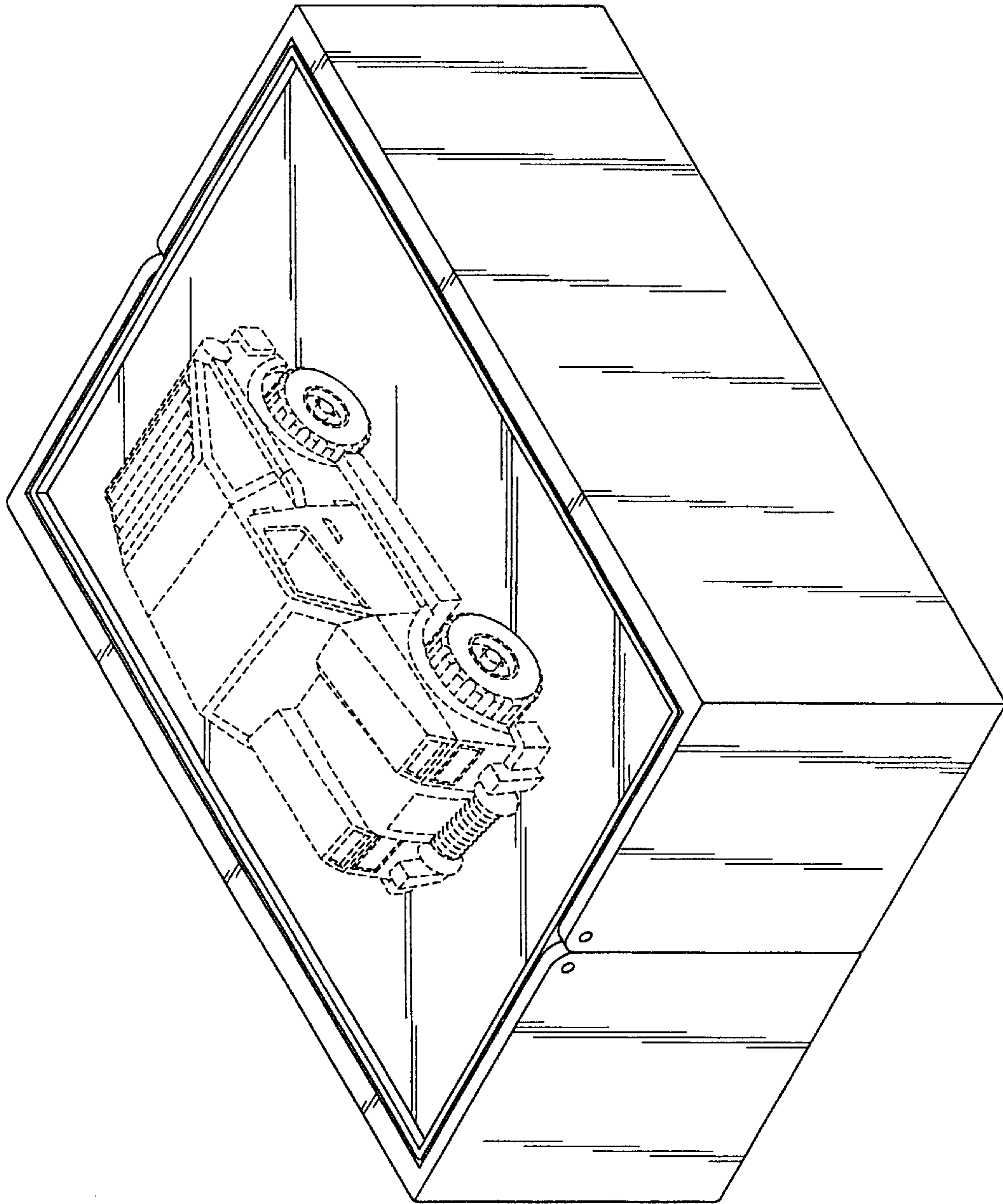


Figure 11

UNITED STATES PATENT AND TRADEMARK OFFICE
CERTIFICATE OF CORRECTION

PATENT NO. : Des. 465,107 S
DATED : November 5, 2002
INVENTOR(S) : Ngan

Page 1 of 1


It is certified that error appears in the above-identified patent and that said Letters Patent is hereby corrected as shown below:

Title page,

Item [30], **Foreign Application Priority Data**, delete "Sep. 6, 2001" and insert
-- Apr. 6, 2001 --.

Signed and Sealed this

Eleventh Day of February, 2003

A handwritten signature in black ink, appearing to read "James E. Rogan", written over a horizontal line.

JAMES E. ROGAN
Director of the United States Patent and Trademark Office