



US00D465102S

(12) **United States Design Patent**
Seiffarth

(10) **Patent No.:** **US D465,102 S**

(45) **Date of Patent:** **** Nov. 5, 2002**

(54) **PERSONAL MOBILE OFFICE**

D429,087 S * 8/2000 Gilbert D6/422

(75) Inventor: **Steffen Seiffarth**, Filderstadt (DE)

* cited by examiner

(73) Assignee: **Esselte Leitz GmbH & Co KG** (DE)

Primary Examiner—Janice E. Seeger

(**) Term: **14 Years**

(74) *Attorney, Agent, or Firm*—Pendorf & Cutliff

(21) Appl. No.: **29/144,016**

(57) **CLAIM**

(22) Filed: **Jun. 22, 2001**

The ornamental design for a personal mobile office, as shown and described.

(30) **Foreign Application Priority Data**

DESCRIPTION

Dec. 23, 2000 (DE) 400 11 983

(51) **LOC (7) Cl.** **06-04**

(52) **U.S. Cl.** **D6/422; D34/14**

(58) **Field of Search** D6/422-428, 495;
312/194-196, 208.1, 249.8; 108/50.01,
50.02, 18.9, 177, 50.17; D34/14, 19, 23,
12; 280/651, 655, 47.17

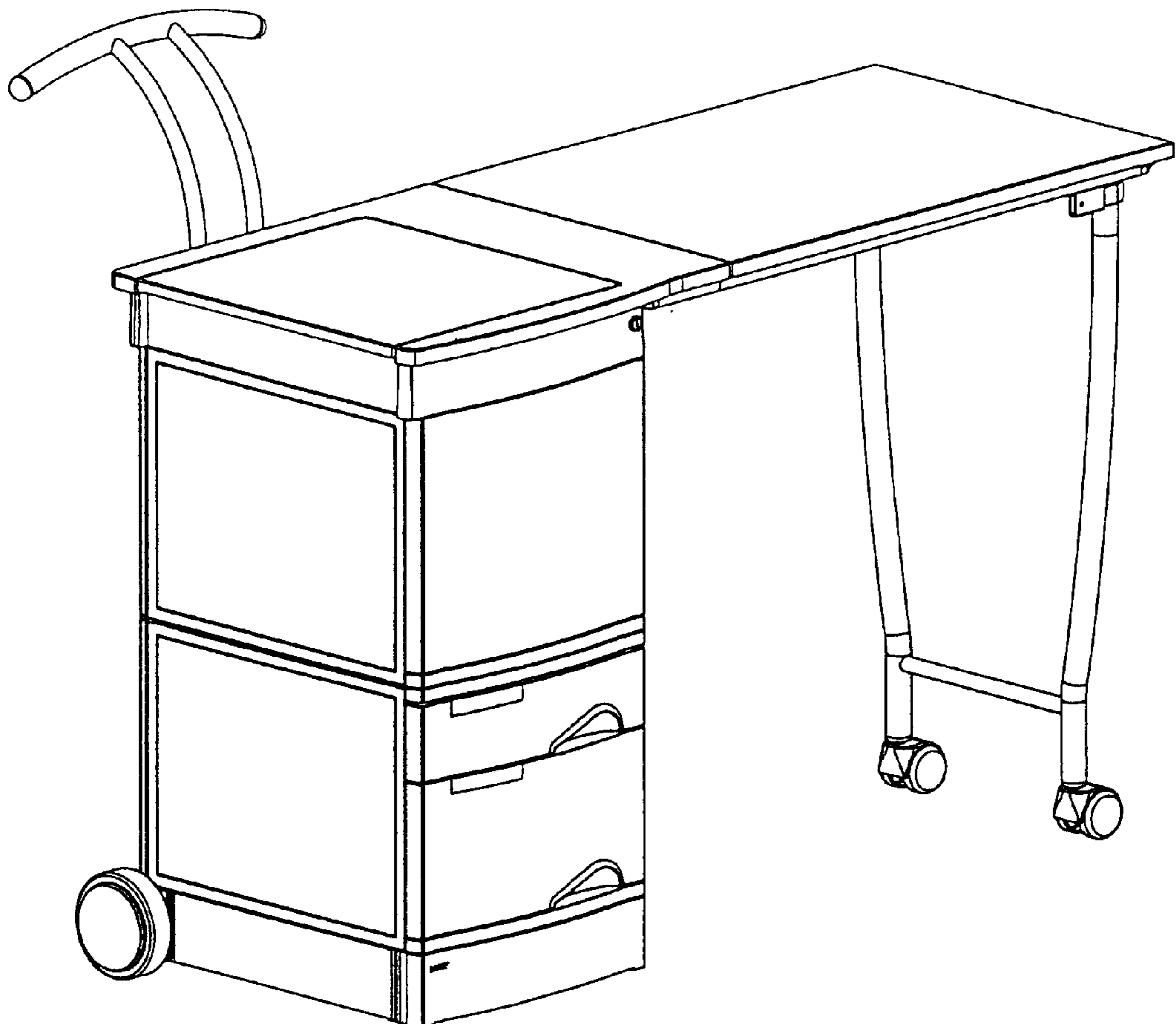
FIG. 1 is a perspective view of a personal mobile office;
FIG. 2 is a front view of the personal mobile office of FIG. 1;
FIG. 3 is a back view of the personal mobile office of FIG. 1;
FIG. 4 is a left side view of the personal mobile office of FIG. 1;
FIG. 5 is a right side view of the personal mobile office of FIG. 1;
FIG. 6 is a top view of the personal mobile office of FIG. 1;
and,
FIG. 7 is a bottom view of the personal mobile office of FIG. 1.

(56) **References Cited**

U.S. PATENT DOCUMENTS

D231,966 S * 7/1974 Landau D6/422
3,871,726 A * 3/1975 Stegner 312/195
4,873,841 A * 10/1989 Bradshaw et al. ... 280/47.17 X

1 Claim, 7 Drawing Sheets



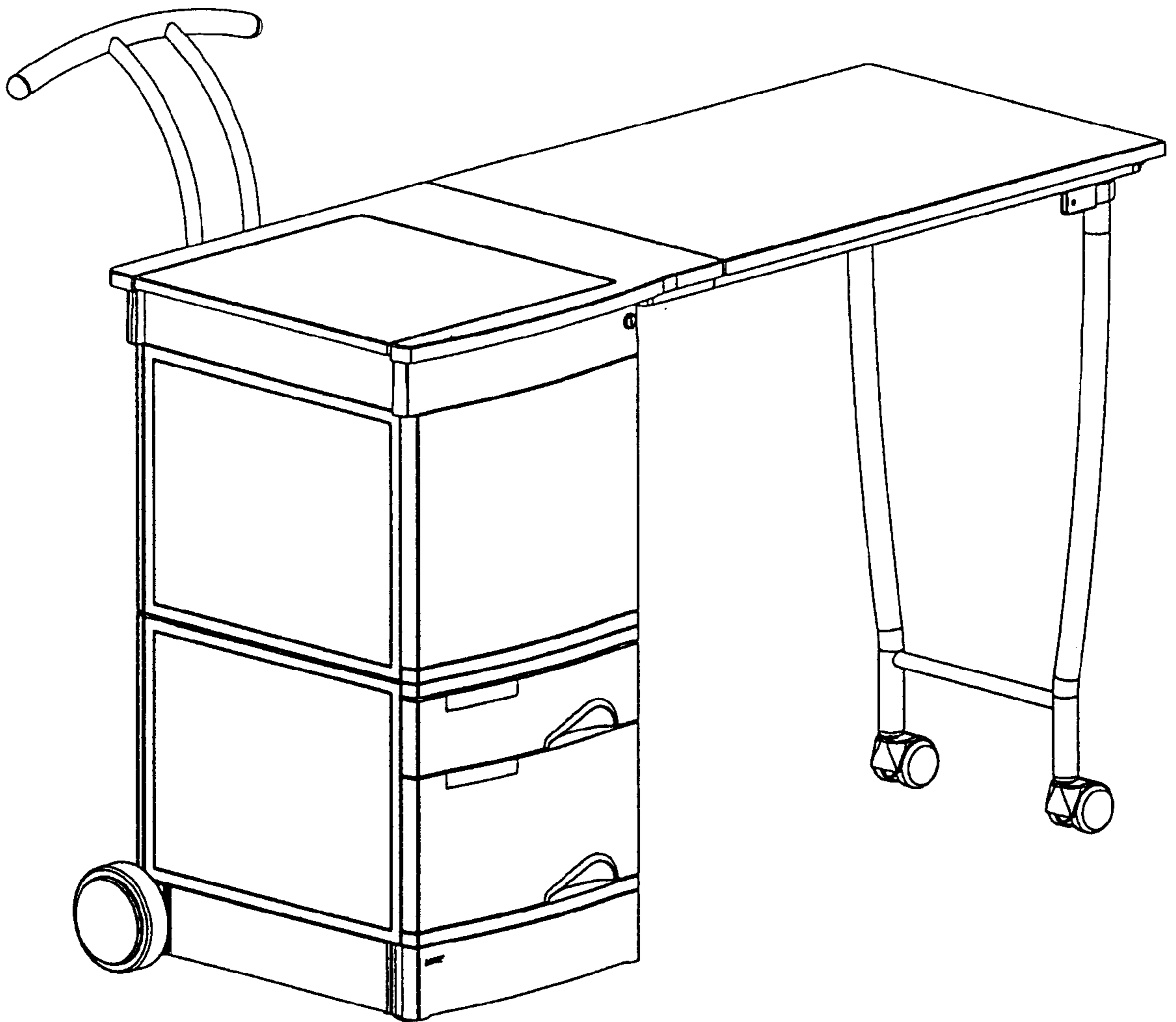


Fig. 1

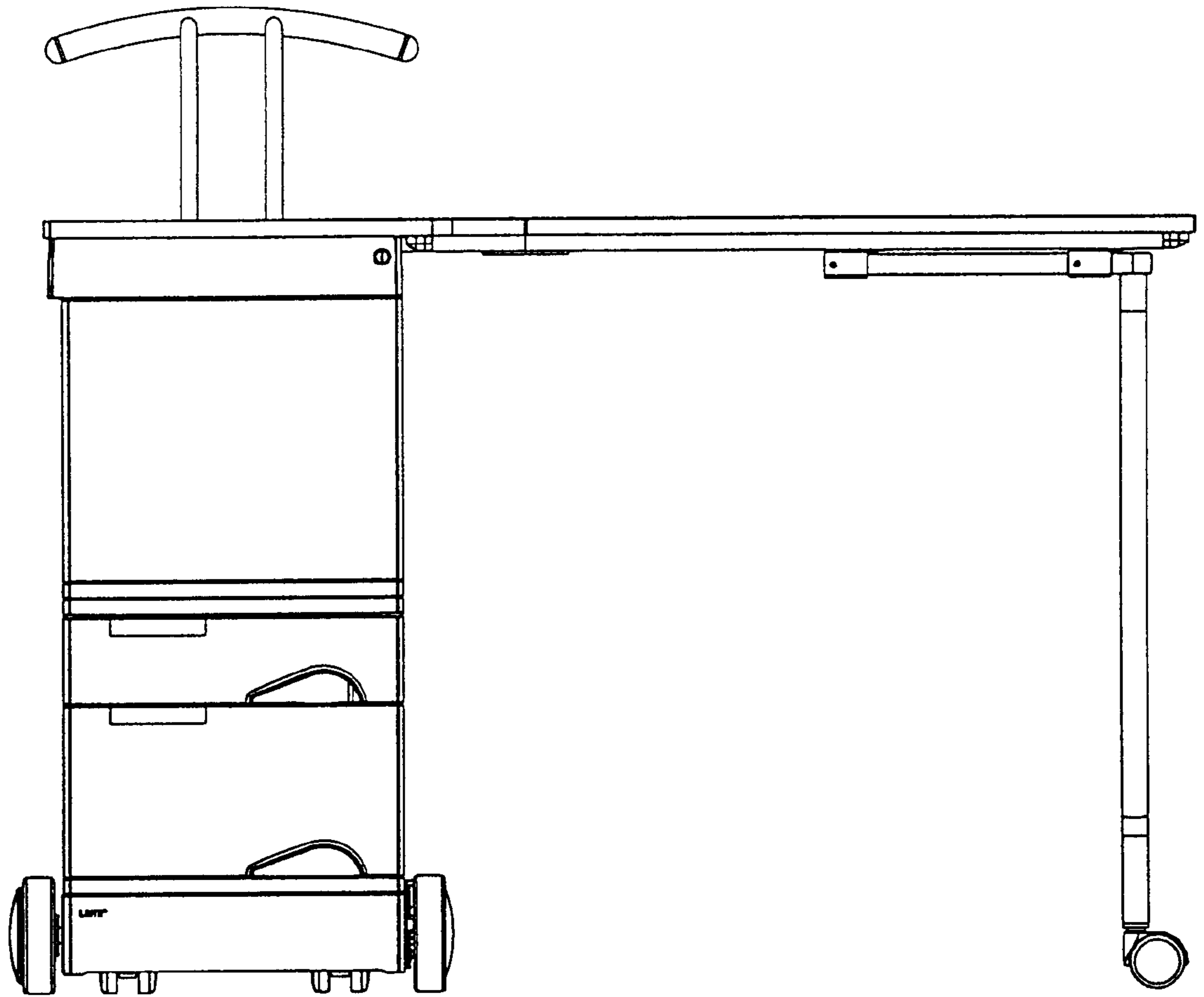


Fig. 2

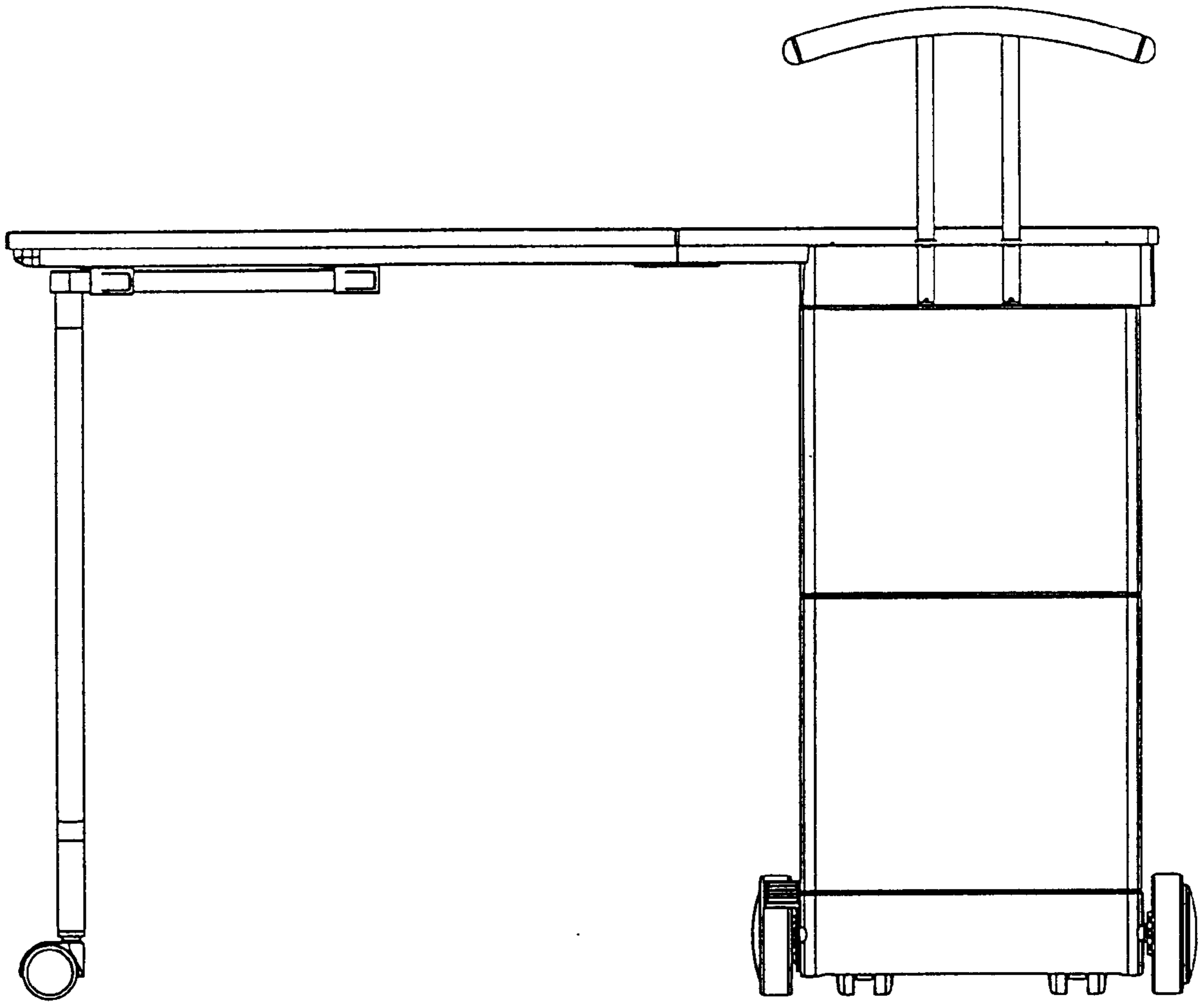


Fig. 3

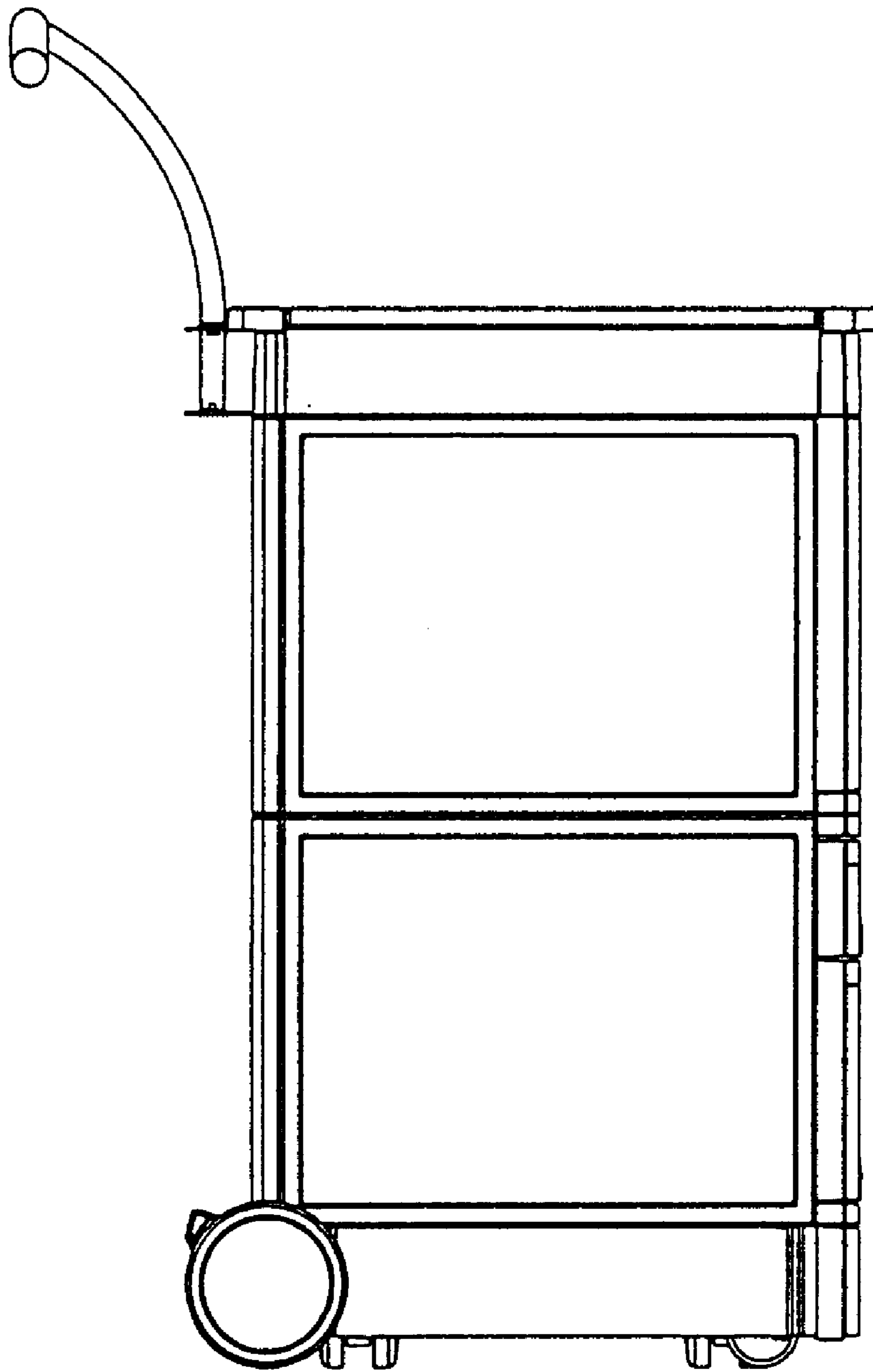


Fig. 4

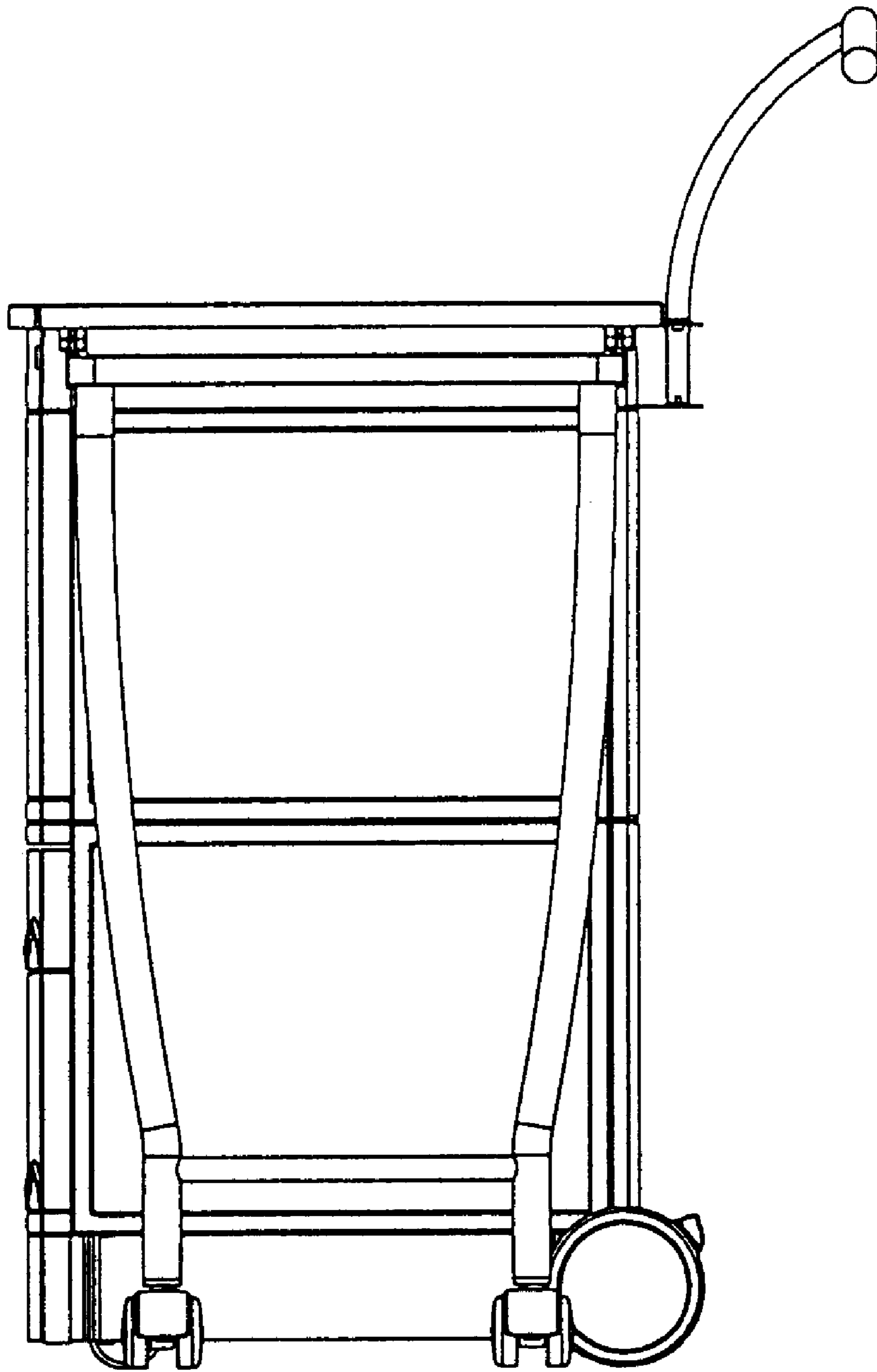


Fig. 5

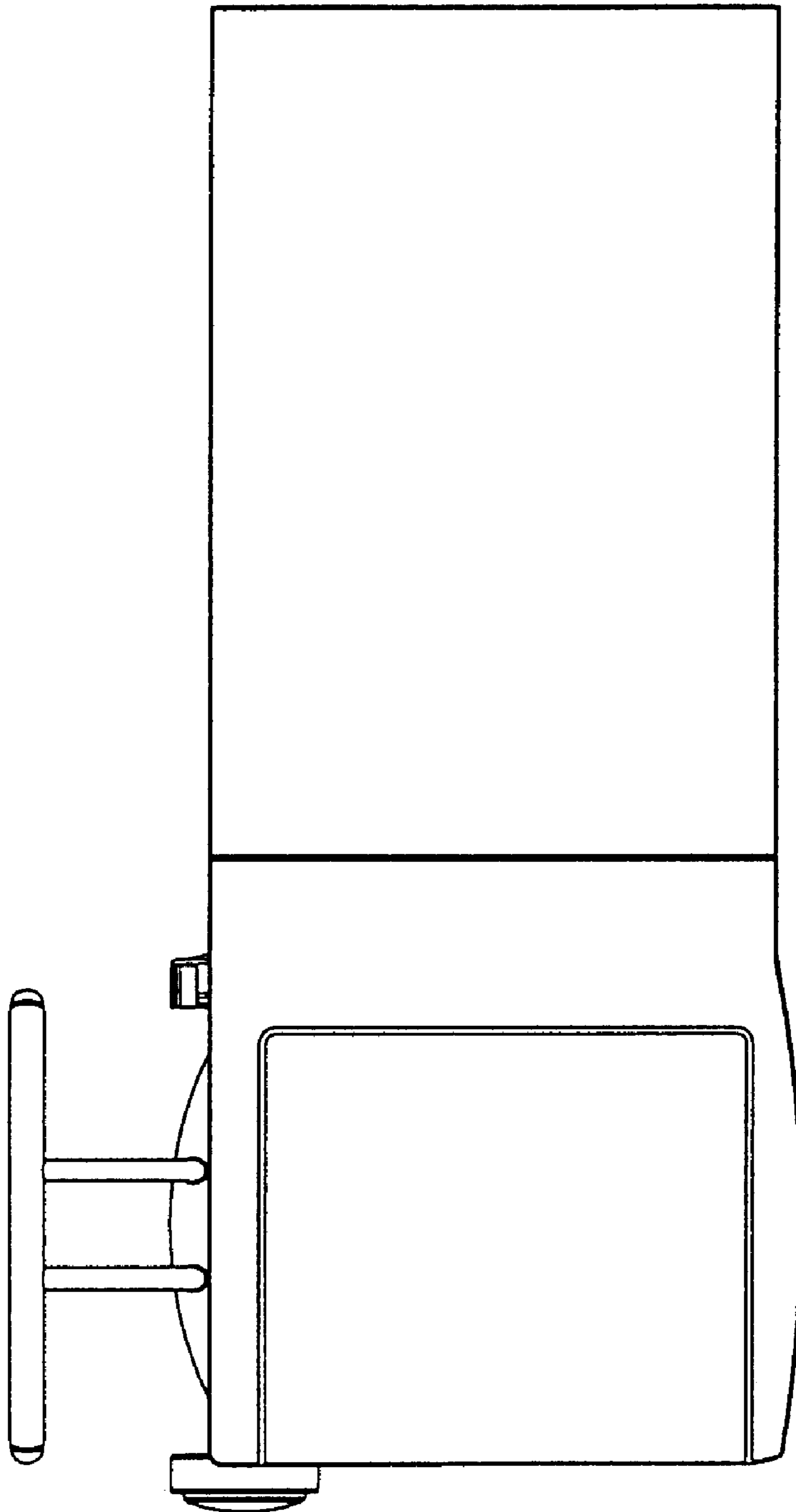


Fig. 6

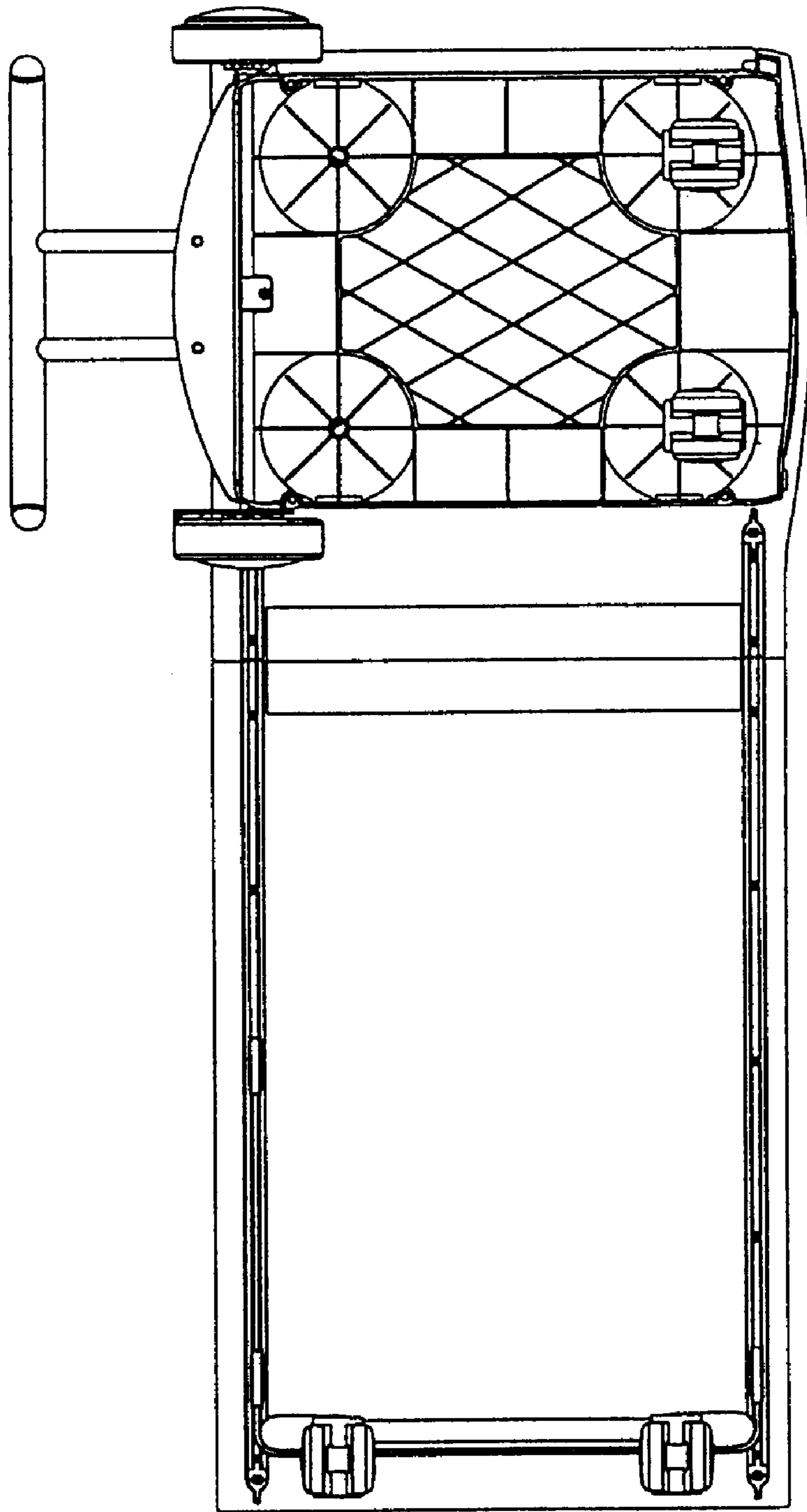


Fig. 7