



US00D465100S

(12) **United States Design Patent**
Savini

(10) **Patent No.:** **US D465,100 S**

(45) **Date of Patent:** **** Nov. 5, 2002**

(54) **CHAIR**

(75) Inventor: **Riccardo Savini**, Camerano (IT)

(73) Assignee: **B.Z.B.-S.P.A.** (IT)

(**) Term: **14 Years**

(21) Appl. No.: **29/149,756**

(22) Filed: **Oct. 17, 2001**

(51) **LOC (7) Cl.** **06-01**

(52) **U.S. Cl.** **D6/375**

(58) **Field of Search** D6/334, 374, 375,
D6/379, 500, 501, 502; 297/445.1, 446.1,
DIG. 2

(56) **References Cited**

U.S. PATENT DOCUMENTS

D181,702 S	*	12/1957	Bargen	D6/375
D194,031 S	*	11/1962	Jensen et al.	D6/379
D219,032 S	*	10/1970	Christenson, Jr.	D6/374
D222,997 S	*	2/1972	Edgar et al.	D6/374
D256,970 S	*	9/1980	Cassina	D6/334
D261,580 S	*	11/1981	Aulenti	D6/334
D336,795 S	*	6/1993	Rowe et al.	D6/334 X

D348,788 S	*	7/1994	Starck	D6/375
D409,848 S	*	5/1999	Staubach et al.	D6/334
D422,158 S	*	4/2000	Newhouse	D6/375
D426,972 S	*	6/2000	Bellini	D6/375
D448,942 S	*	10/2001	Mourque	D6/375

* cited by examiner

Primary Examiner—Gary D. Watson

(74) *Attorney, Agent, or Firm*—Robert M. Gamson;
Leonard Bloom

(57) **CLAIM**

The ornamental design for a chair, as shown.

DESCRIPTION

FIG. 1 is a left perspective view of a chair, showing my new design.

FIG. 2 is a right perspective view thereof.

FIG. 3 is a front elevational view thereof;

FIG. 4 is a rear elevational view thereof.

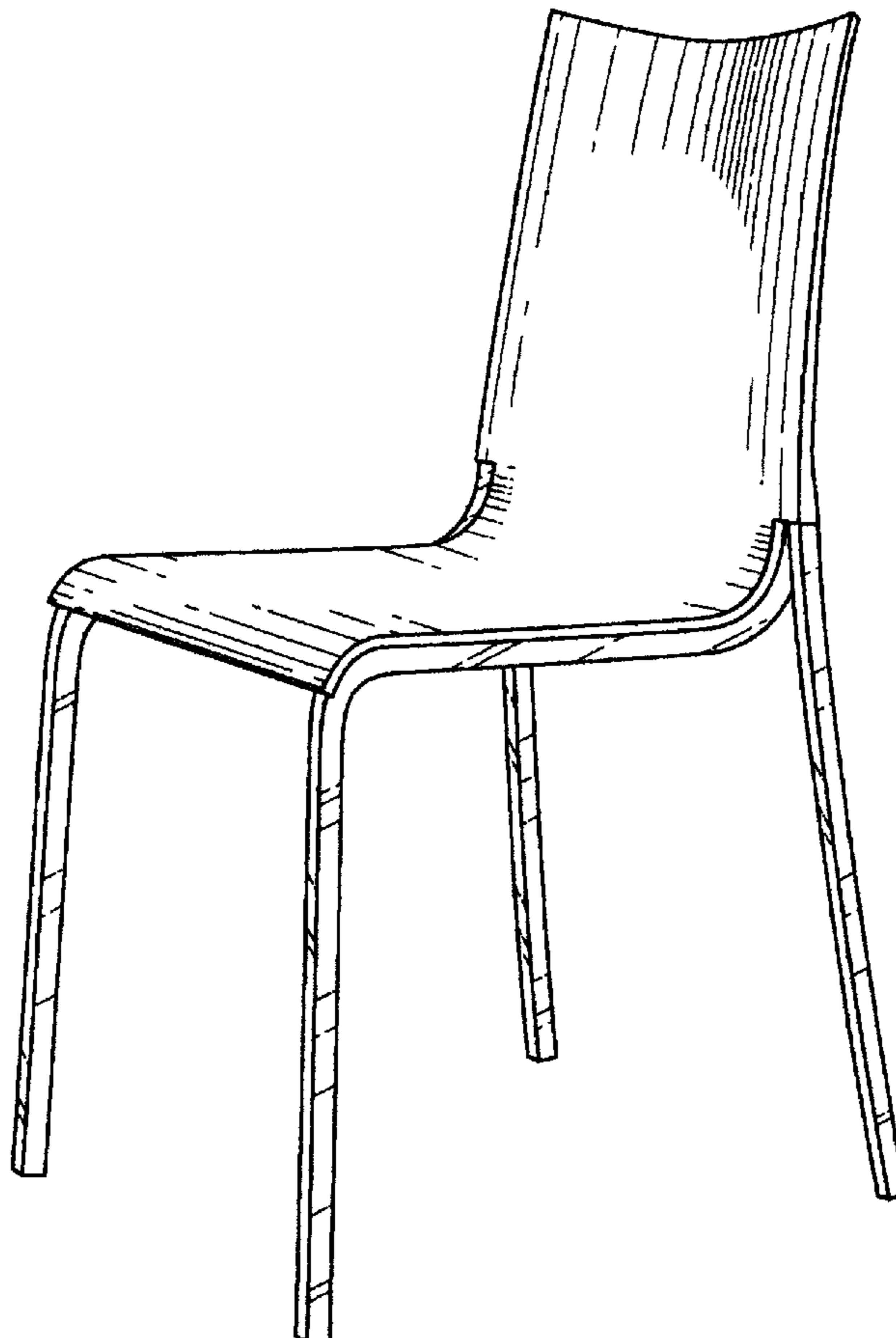
FIG. 5 is a right side elevational view thereof.

FIG. 6 is a left side elevational view thereof.

FIG. 7 is a top plan view thereof; and,

FIG. 8 is a bottom plan view thereof.

1 Claim, 4 Drawing Sheets



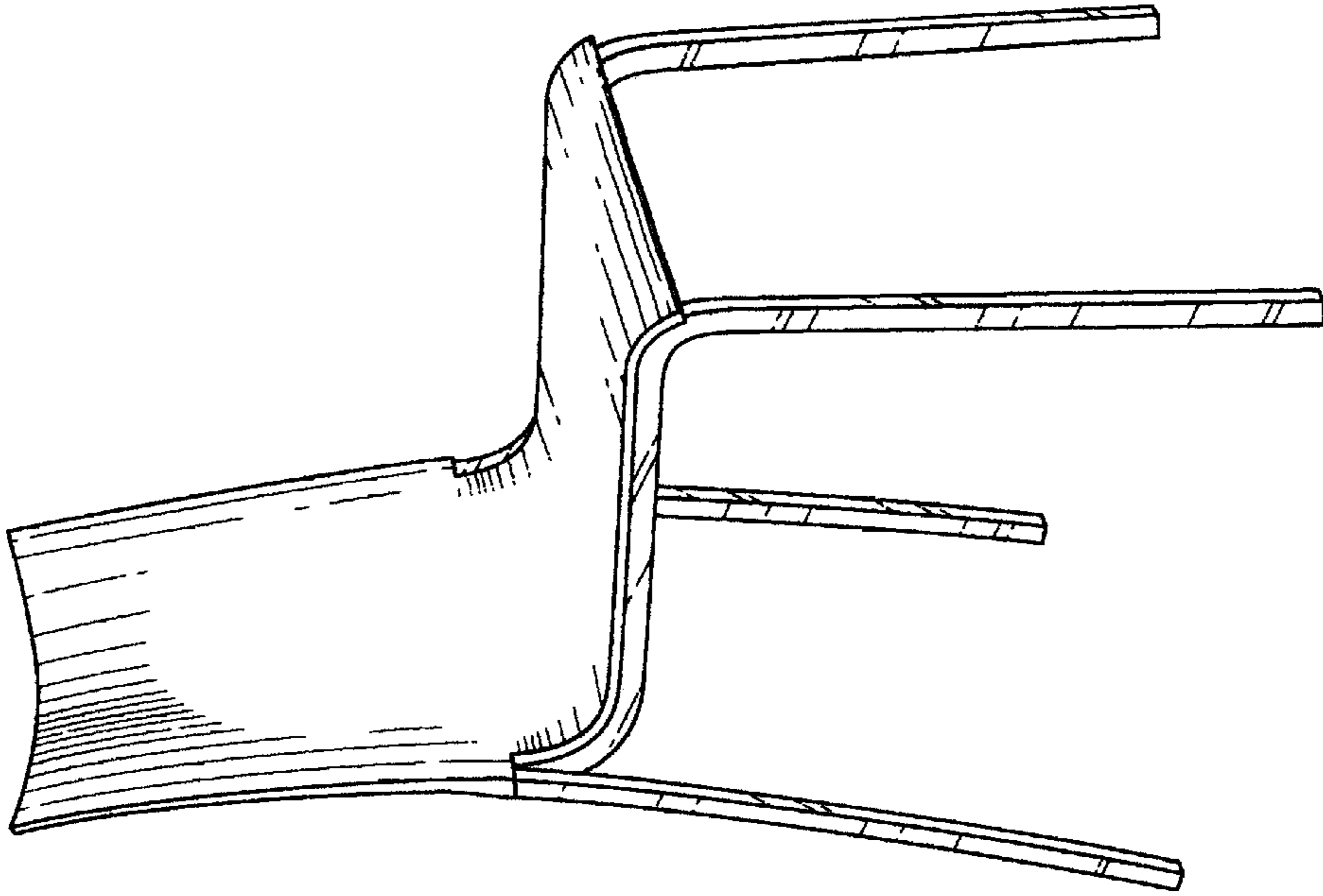


Fig 2

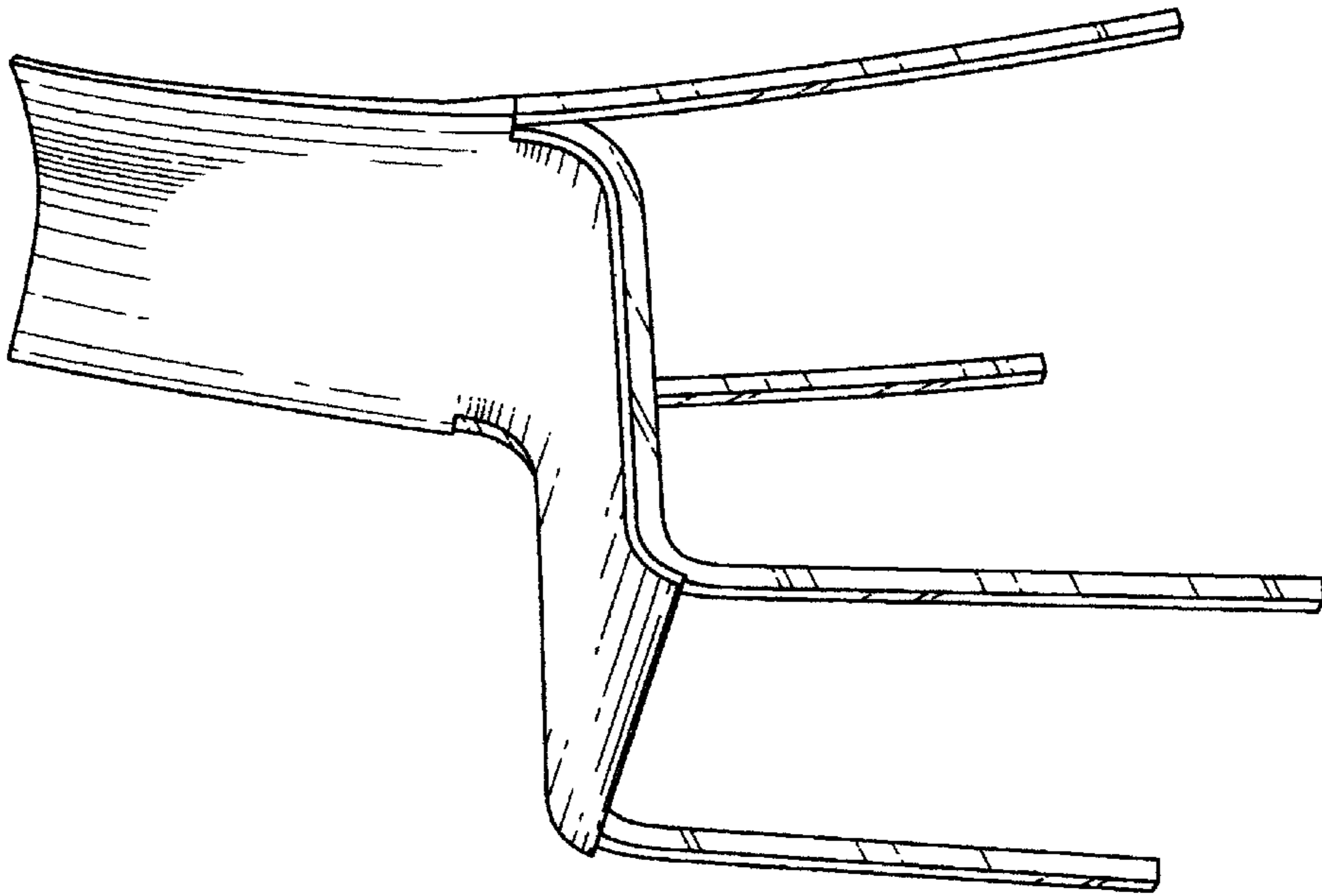


Fig 1

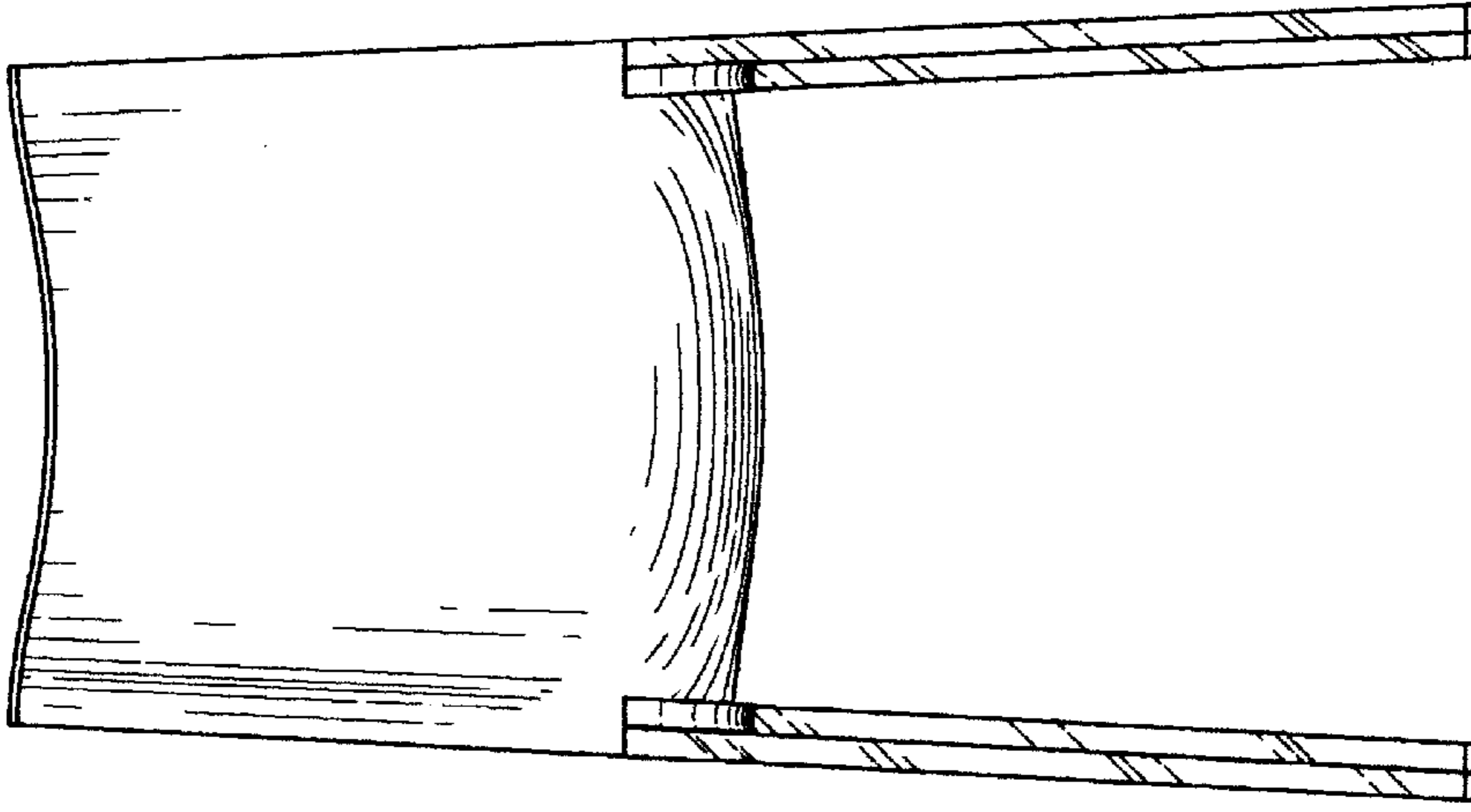


Fig 4

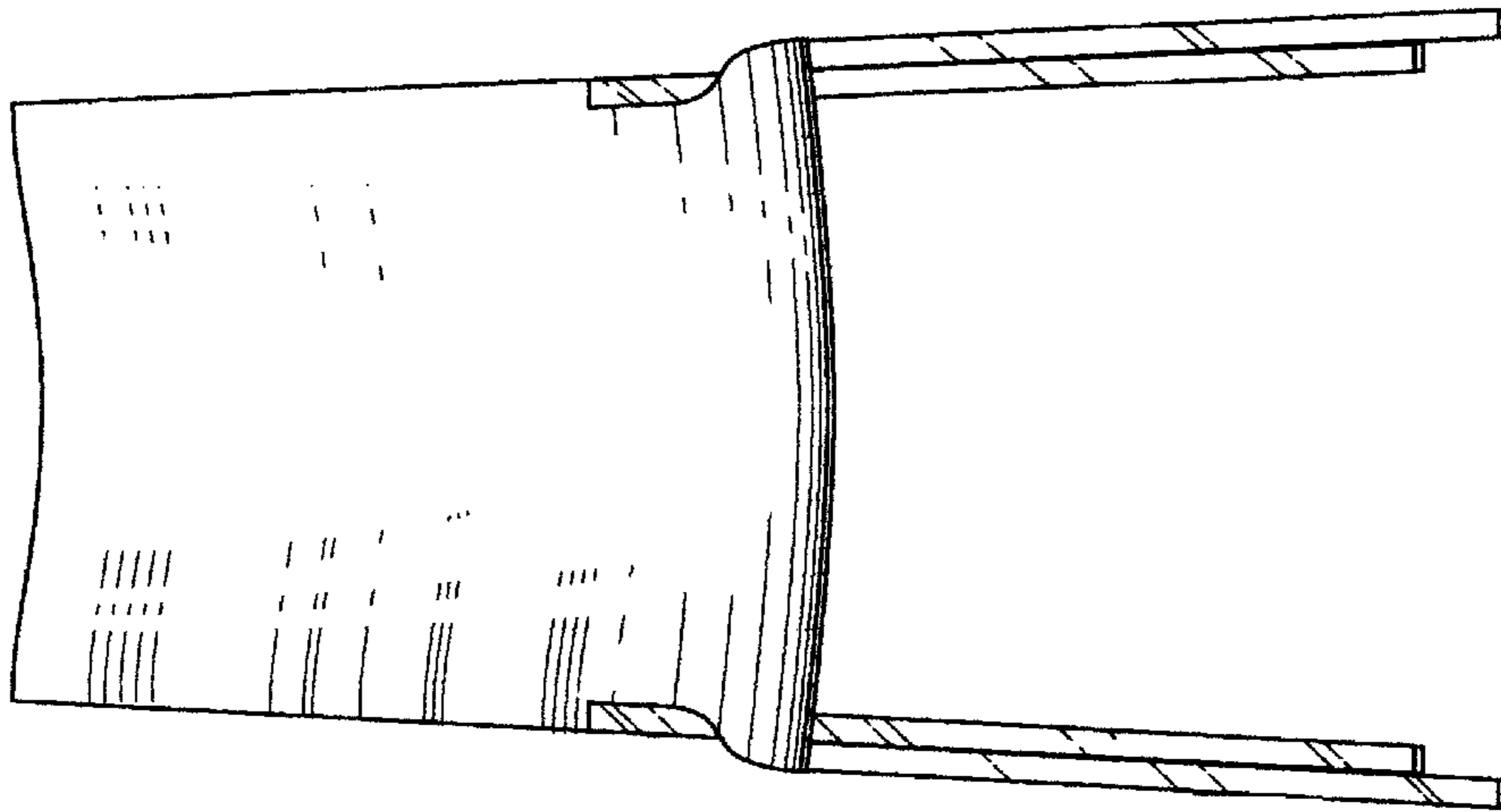


Fig 3

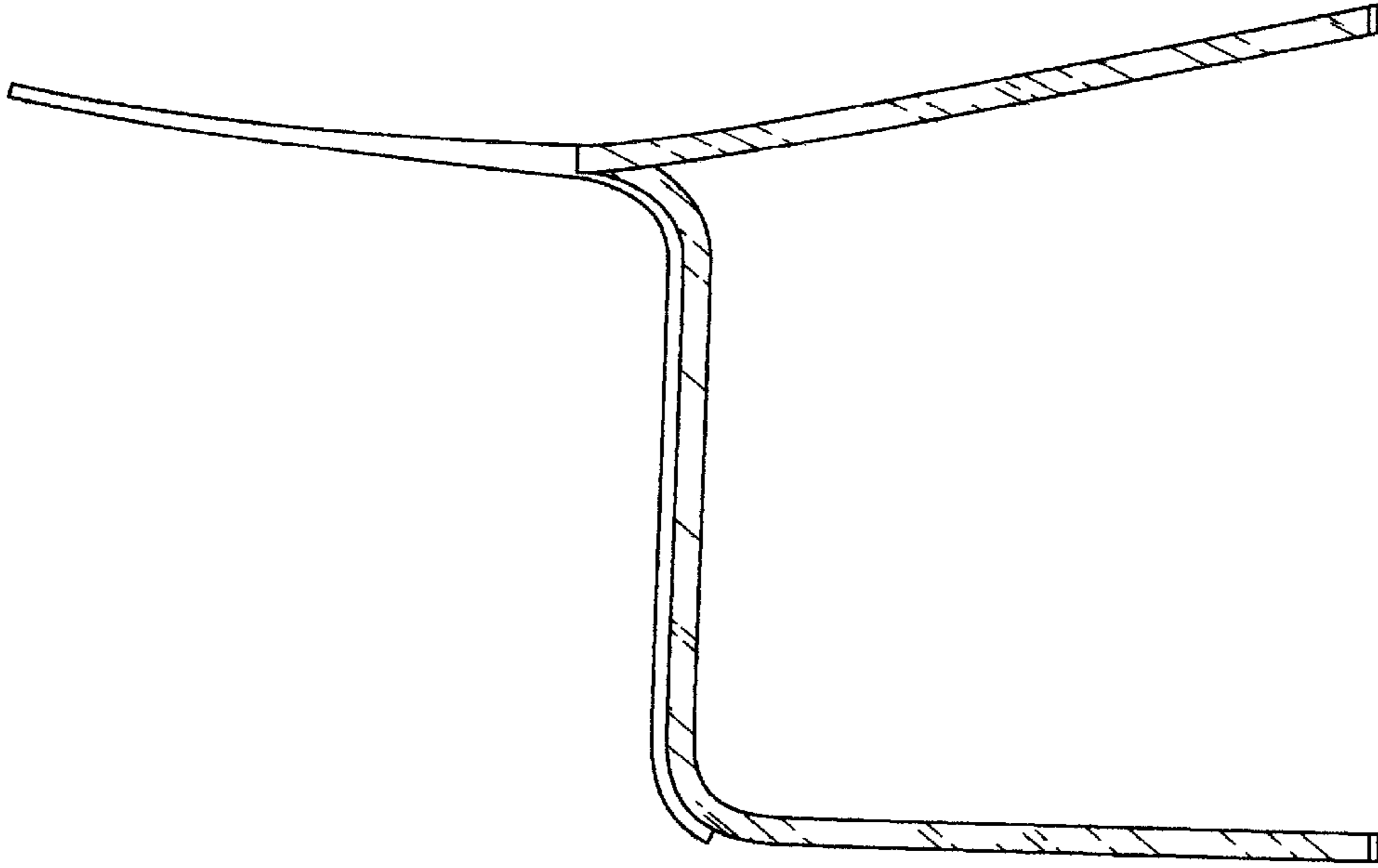


Fig 6

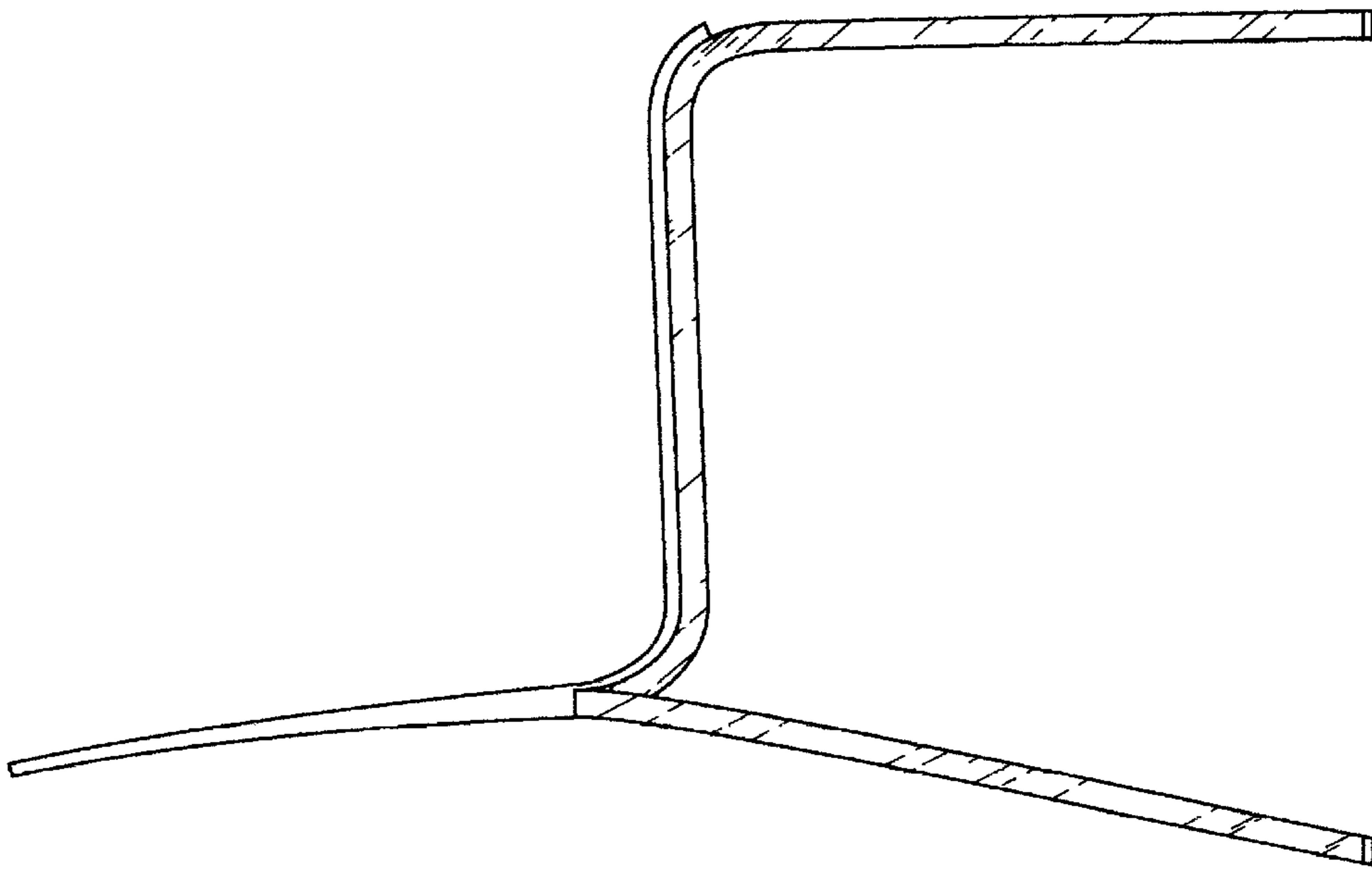


Fig 5

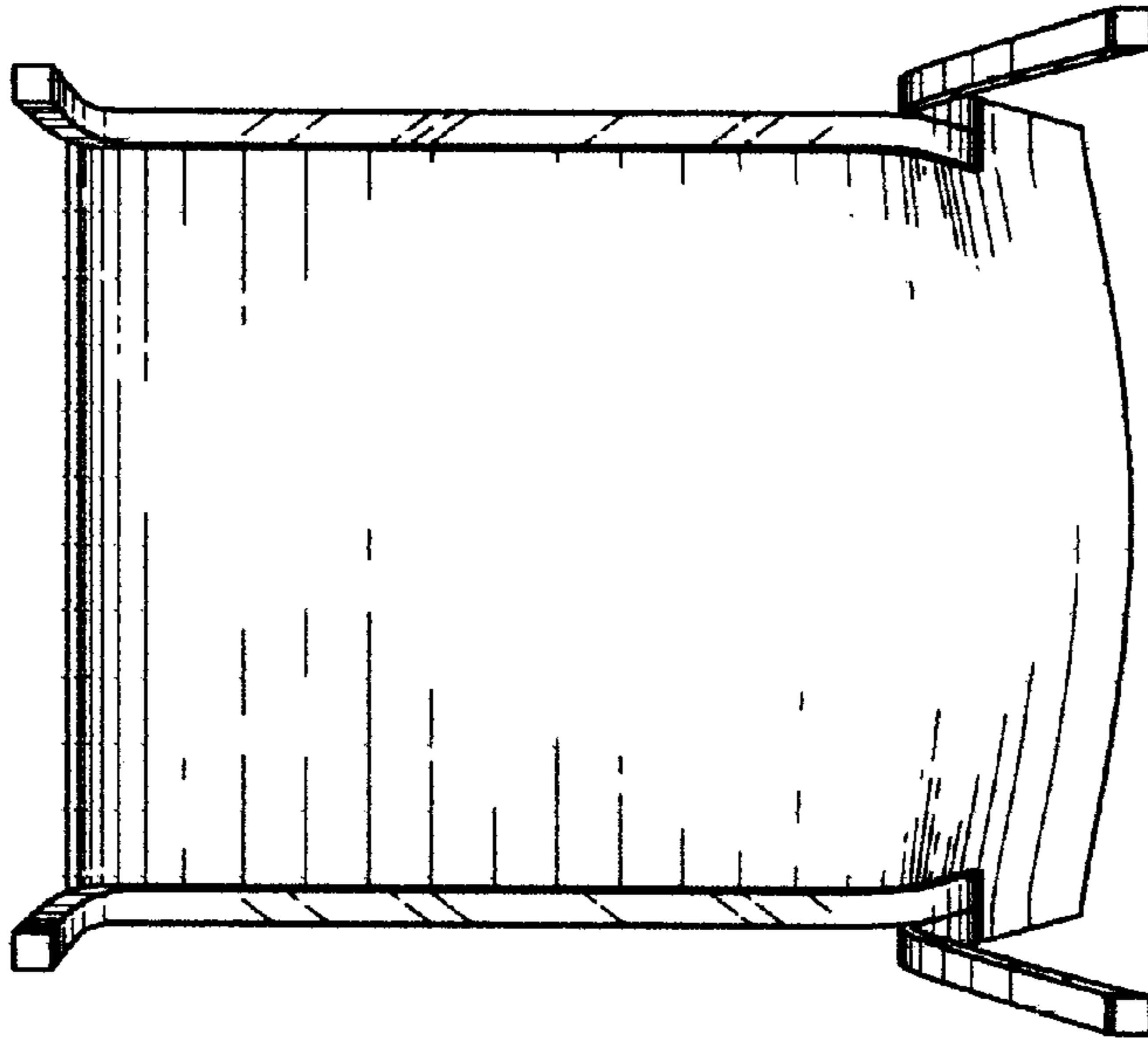


Fig 8

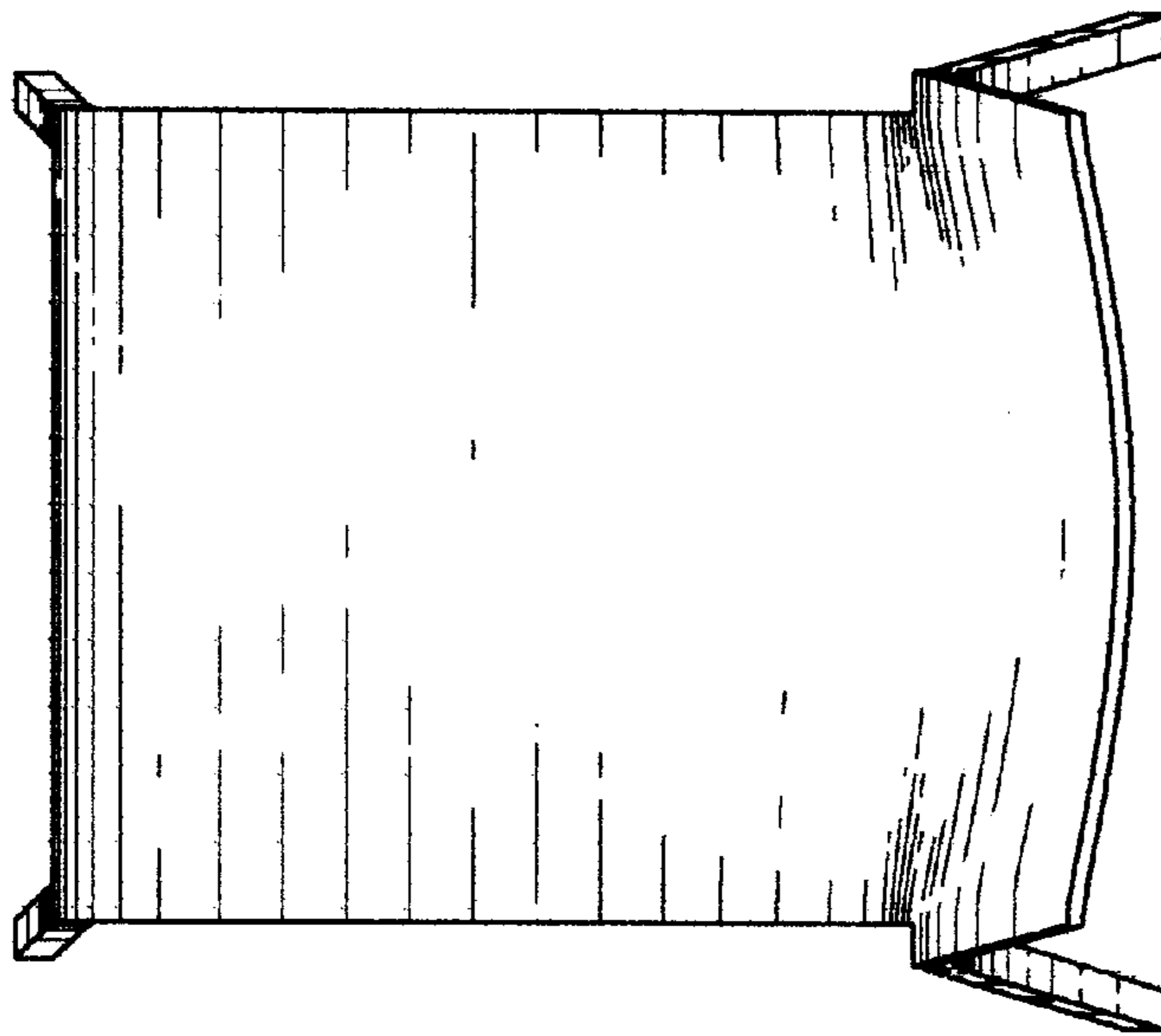


Fig 7