



US00D465099S

(12) **United States Design Patent**
Damon, Jr.

(10) **Patent No.:** **US D465,099 S**

(45) **Date of Patent:** **** Nov. 5, 2002**

(54) **DIRECTOR'S CHAIR**

D286,710 S * 11/1986 Gasser D6/368

(76) Inventor: **Kent T Damon, Jr.**, 19 Upland Rd.,
Arlington, MA (US) 02474

* cited by examiner

(**) Term: **14 Years**

Primary Examiner—Doris V. Coles

Assistant Examiner—Mimosa De

(74) *Attorney, Agent, or Firm*—Mark P. White

(21) Appl. No.: **29/146,426**

(57) **CLAIM**

(22) Filed: **Aug. 9, 2001**

The ornamental design for a director's chair, as shown and described.

(51) **LOC (7) Cl.** **06-01**

(52) **U.S. Cl.** **D6/368**

(58) **Field of Search** D6/334, 335, 367,
D6/368, 371, 373, 374, 379, 380, 500-502;
297/35, 36, 45, 53, 56, 445.1

DESCRIPTION

FIG. 1 is a perspective view of the director's chair.

FIG. 2 is an enlarged front elevation view thereof.

FIG. 3 is an enlarged rear elevation view thereof.

FIG. 4 is an enlarged left-side elevation view thereof,

FIG. 5 is an enlarged right-side elevation view.

FIG. 6 is an enlarged top plan view thereof; and,

FIG. 7 is an enlarged bottom plan view thereof.

(56) **References Cited**

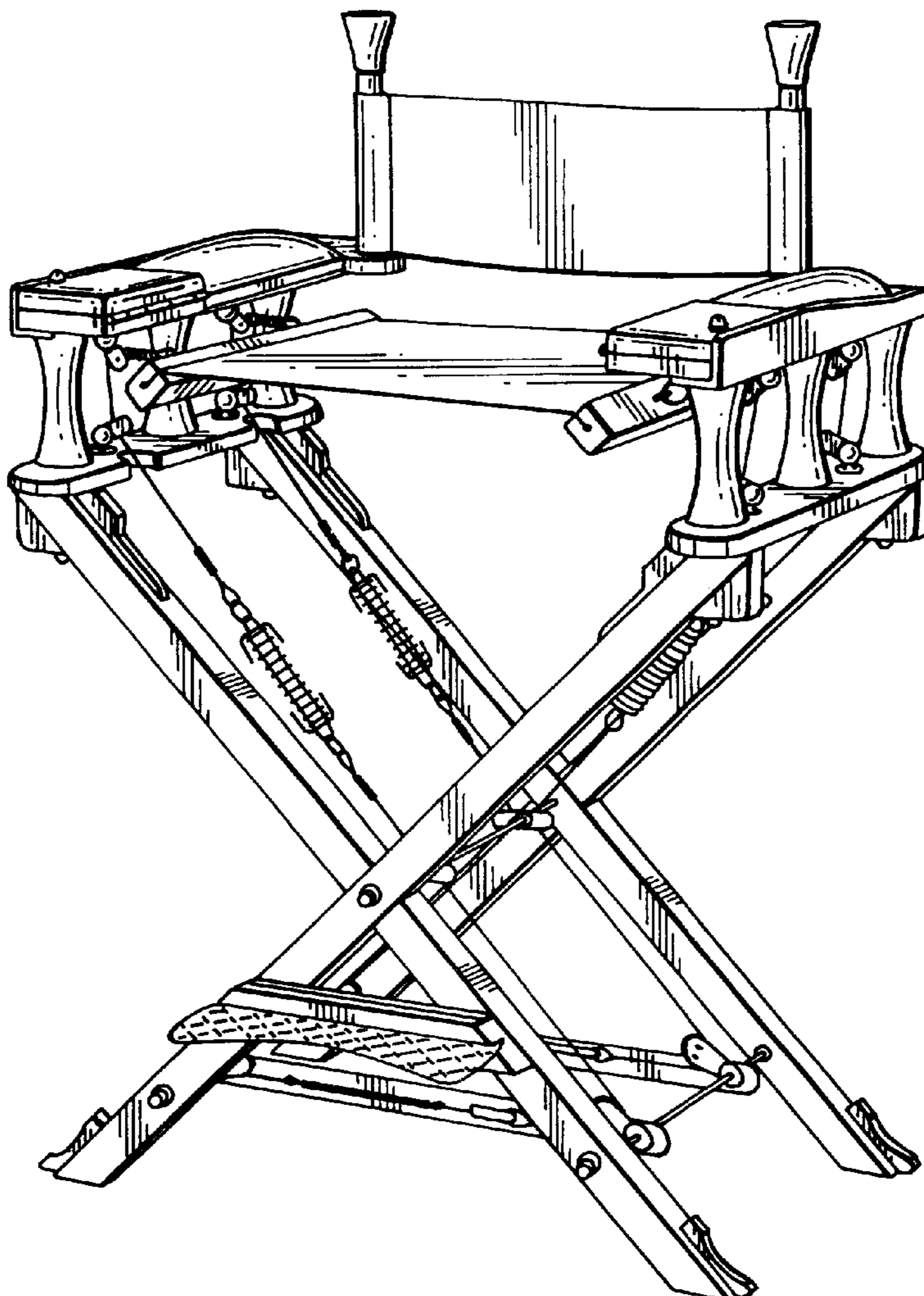
U.S. PATENT DOCUMENTS

1,739,552 A * 12/1929 Kidder 297/36

2,582,864 A * 1/1952 Gittings et al. D6/368

3,711,151 A * 1/1973 Upton 297/45

1 Claim, 7 Drawing Sheets



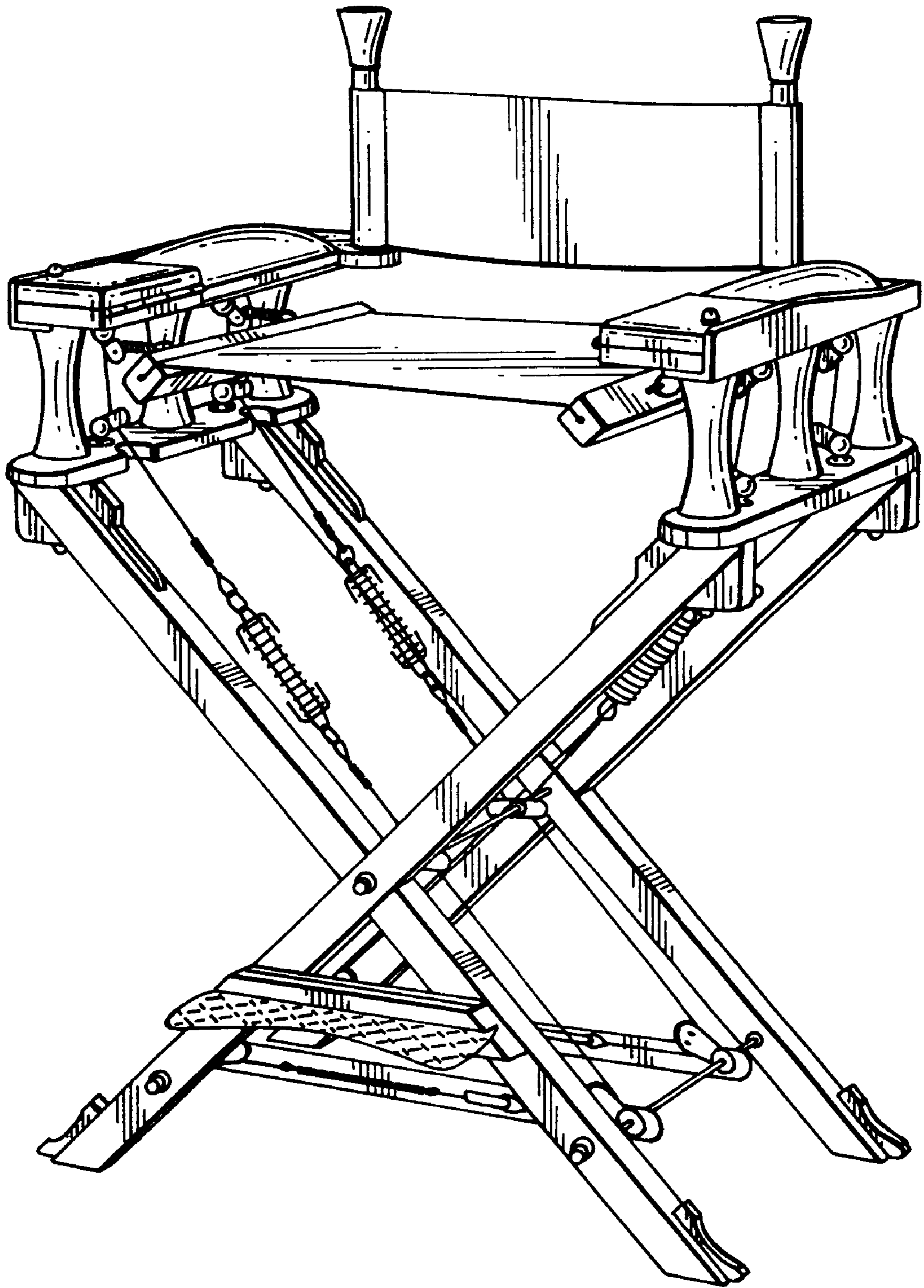


FIG. 1

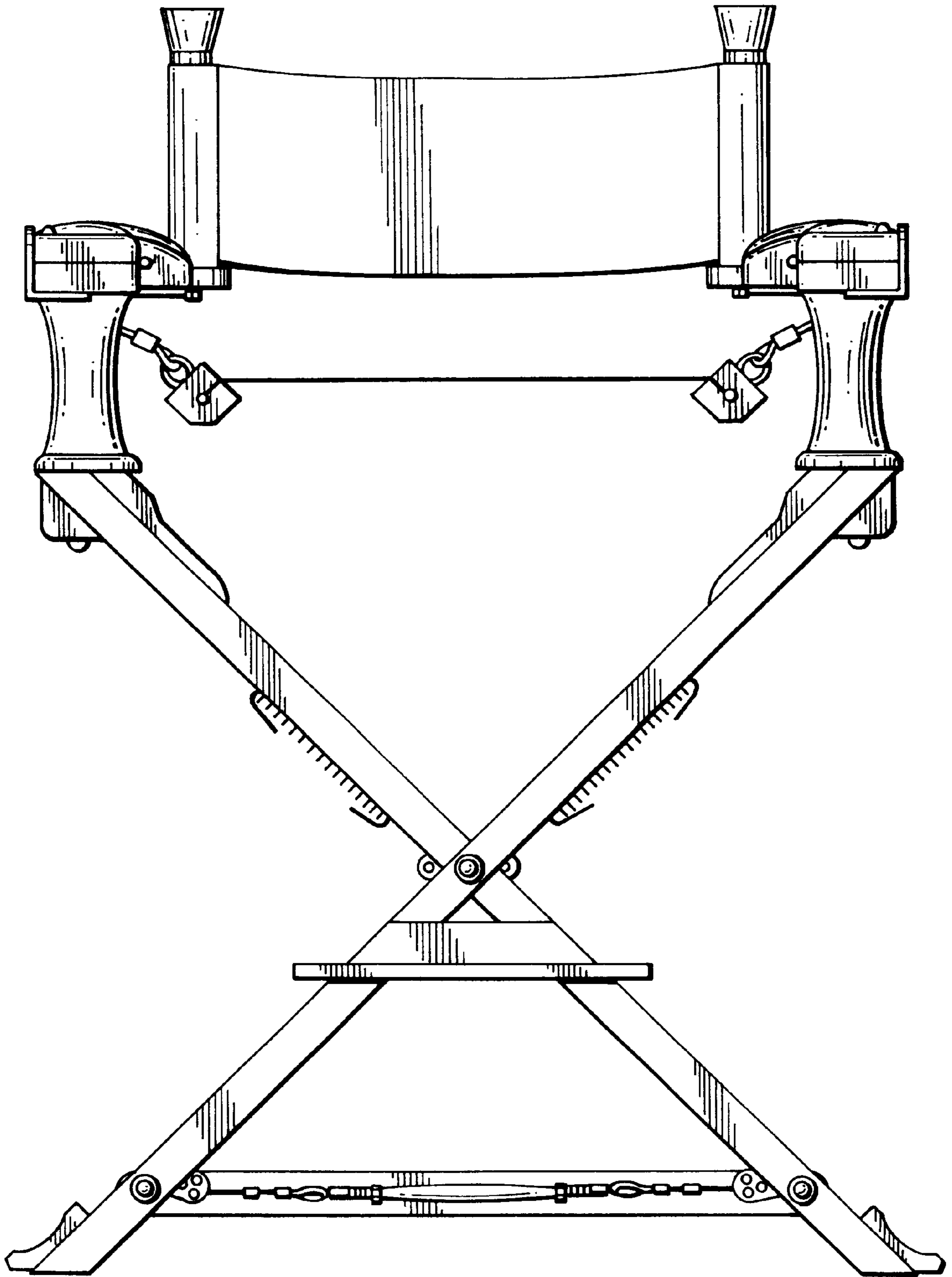


FIG. 2

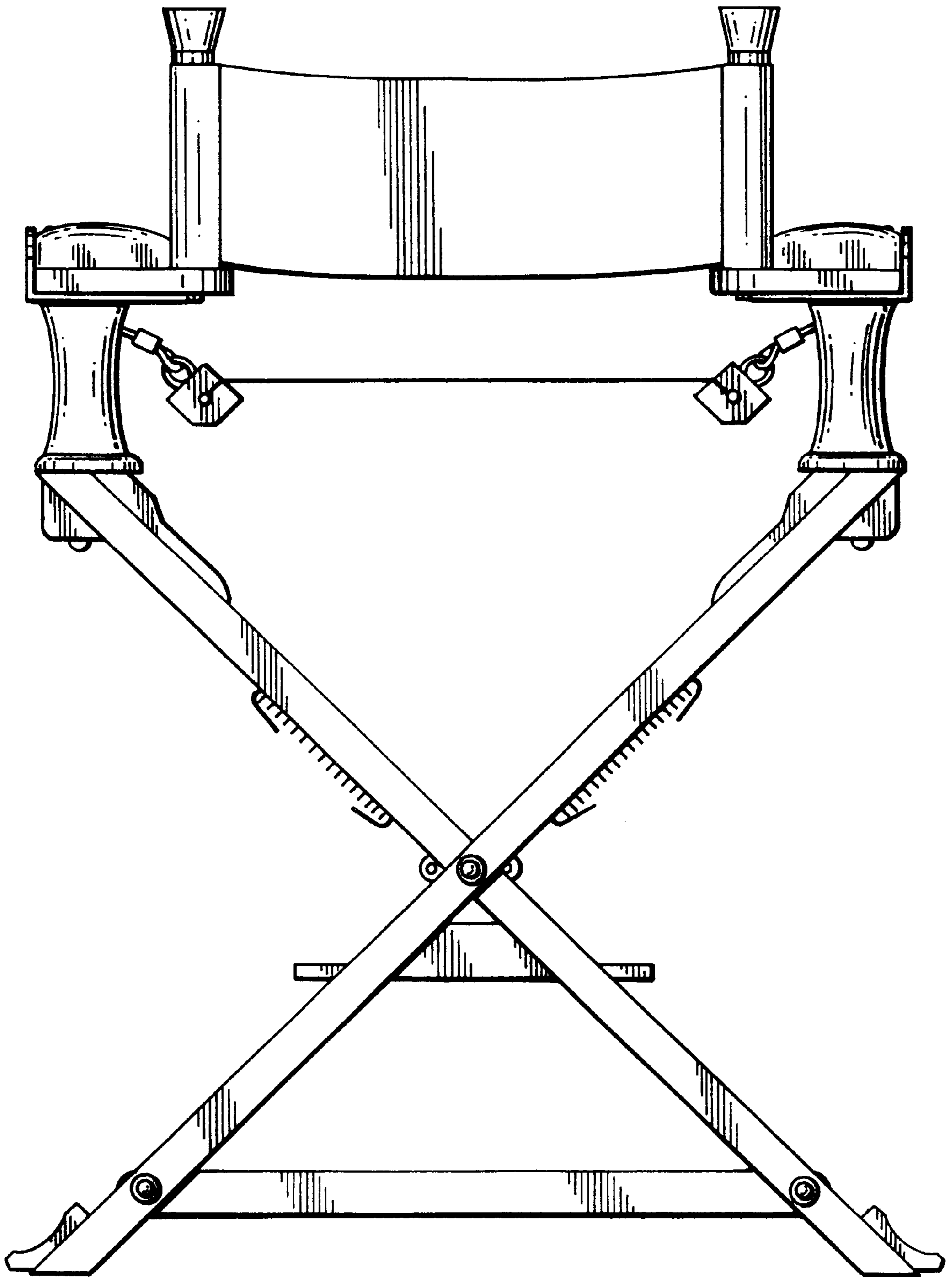


FIG. 3

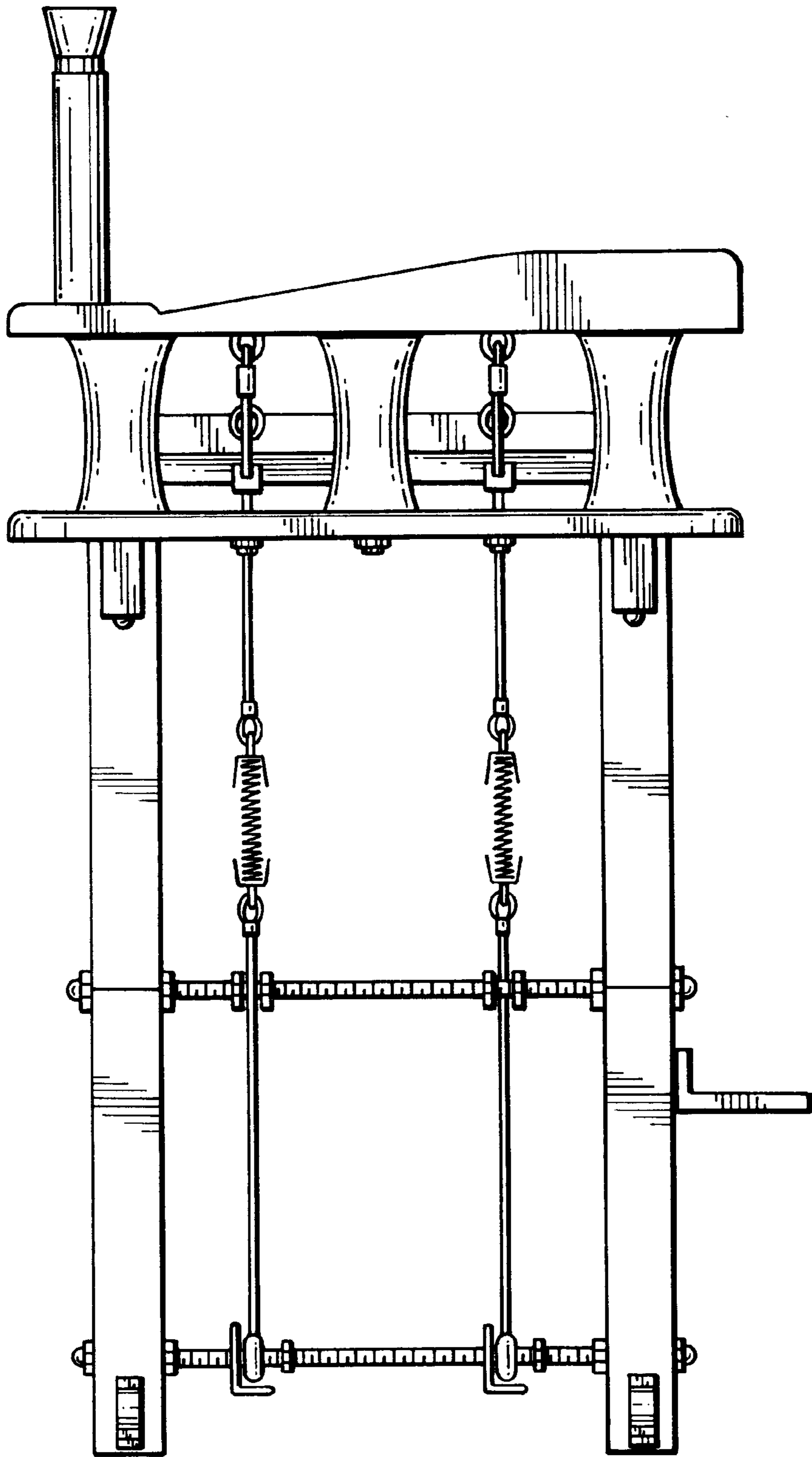


FIG. 4

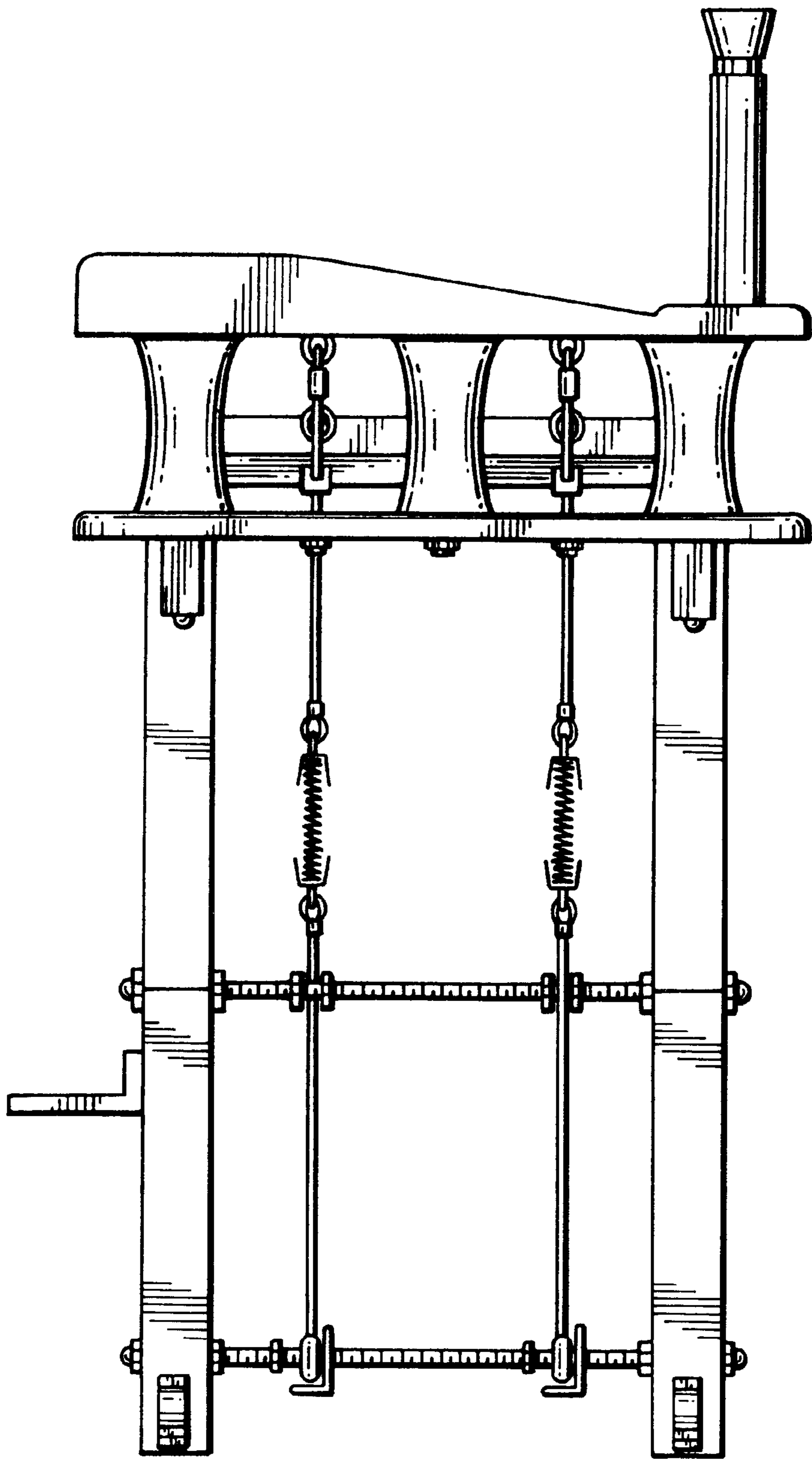


FIG. 5

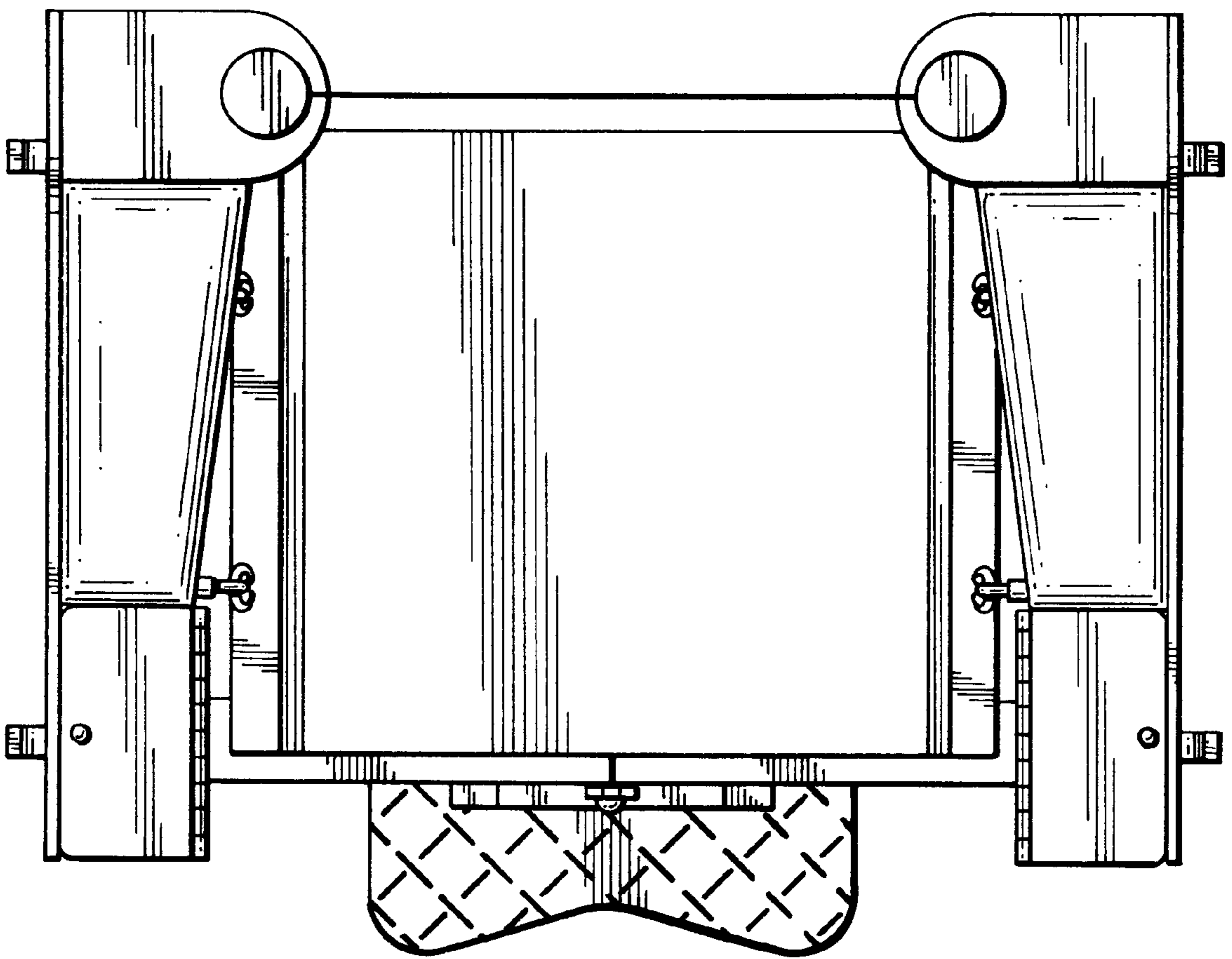


FIG. 6

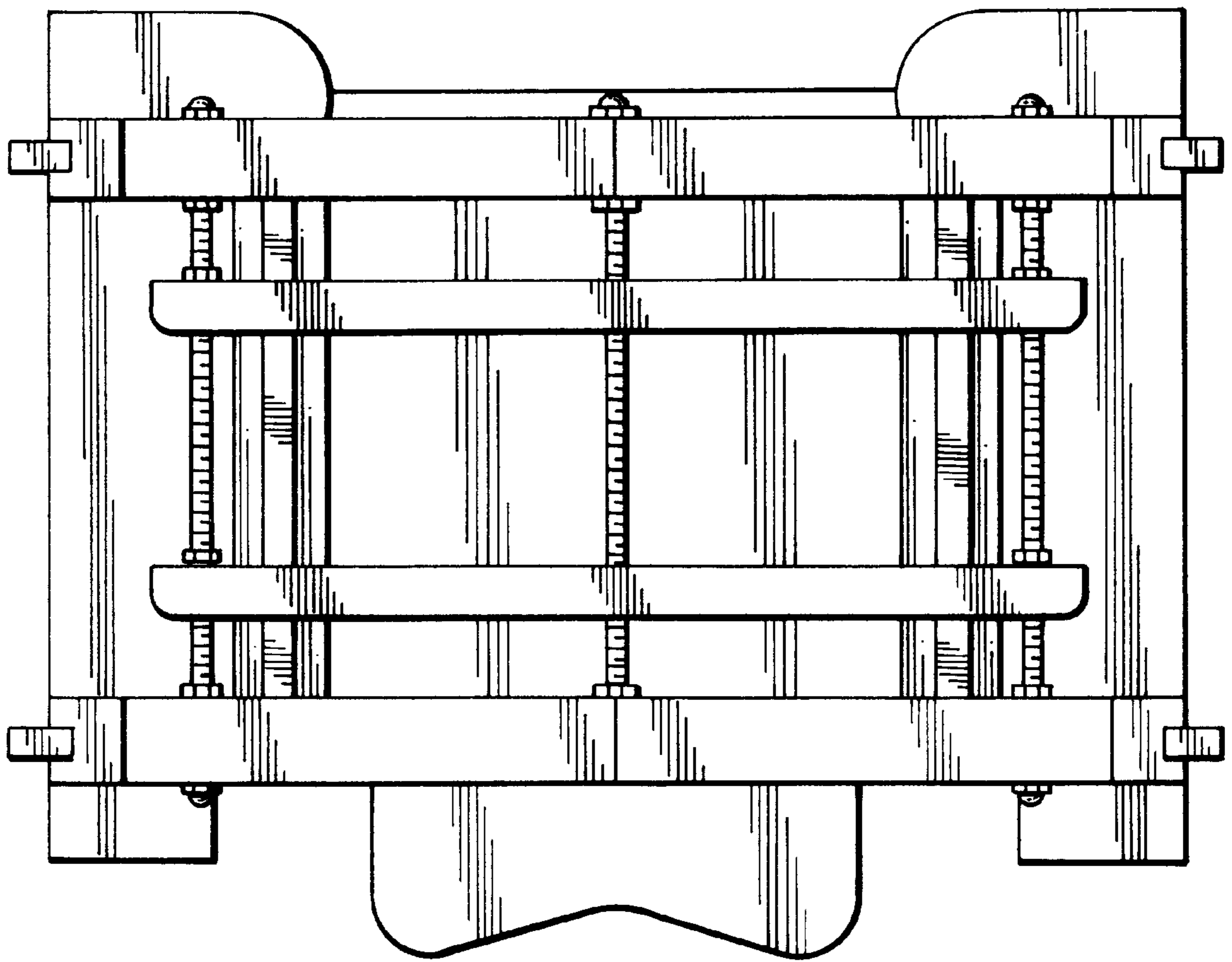


FIG. 7