



US00D465098S

(12) **United States Design Patent**
Kreiss

(10) **Patent No.:** **US D465,098 S**

(45) **Date of Patent:** **** Nov. 5, 2002**

(54) **CHAISE**

(75) **Inventor:** **Michael Kreiss, San Diego, CA (US)**

(73) **Assignee:** **Kreiss Enterprises, Inc., San Diego, CA (US)**

(**) **Term:** **14 Years**

(21) **Appl. No.:** **29/140,500**

(22) **Filed:** **Apr. 19, 2001**

(51) **LOC (7) Cl.** **06-01**

(52) **U.S. Cl.** **D6/361**

(58) **Field of Search** D6/334, 335, 336,
D6/360, 361, 377, 381, 393, 500, 501,
502; 5/12.1; 297/232

(56) **References Cited**

U.S. PATENT DOCUMENTS

D144,677 S * 5/1946 Billet et al. D6/361
D182,842 S * 5/1958 Lubberts et al. D6/361
D202,887 S * 11/1965 Melchior D6/361

D261,830 S * 11/1981 Marks D6/361

D269,482 S * 6/1983 Ungaro D6/361

D387,572 S * 12/1997 Lewis D6/361

D405,967 S * 2/1999 Lewis D6/361

* cited by examiner

Primary Examiner—Gary D. Watson

(74) *Attorney, Agent, or Firm*—Marvin H. Kleinberg;
Marshall A. Lerner; Kleinberg & Lerner LLP

(57) **CLAIM**

The ornamental design for a chaise, as shown and described.

DESCRIPTION

FIG. 1 is a perspective view of the chaise of the present invention;

FIG. 2 is a front view of the chaise of FIG. 1;

FIG. 3 is a side view of the chaise of FIG. 1, the opposite side being a mirror image thereof;

FIG. 4 is a top view of the chaise of FIG. 1;

FIG. 5 is a bottom view of the chaise of FIG. 1; and,

FIG. 6 is a rear view of the chaise of FIG. 1.

1 Claim, 5 Drawing Sheets

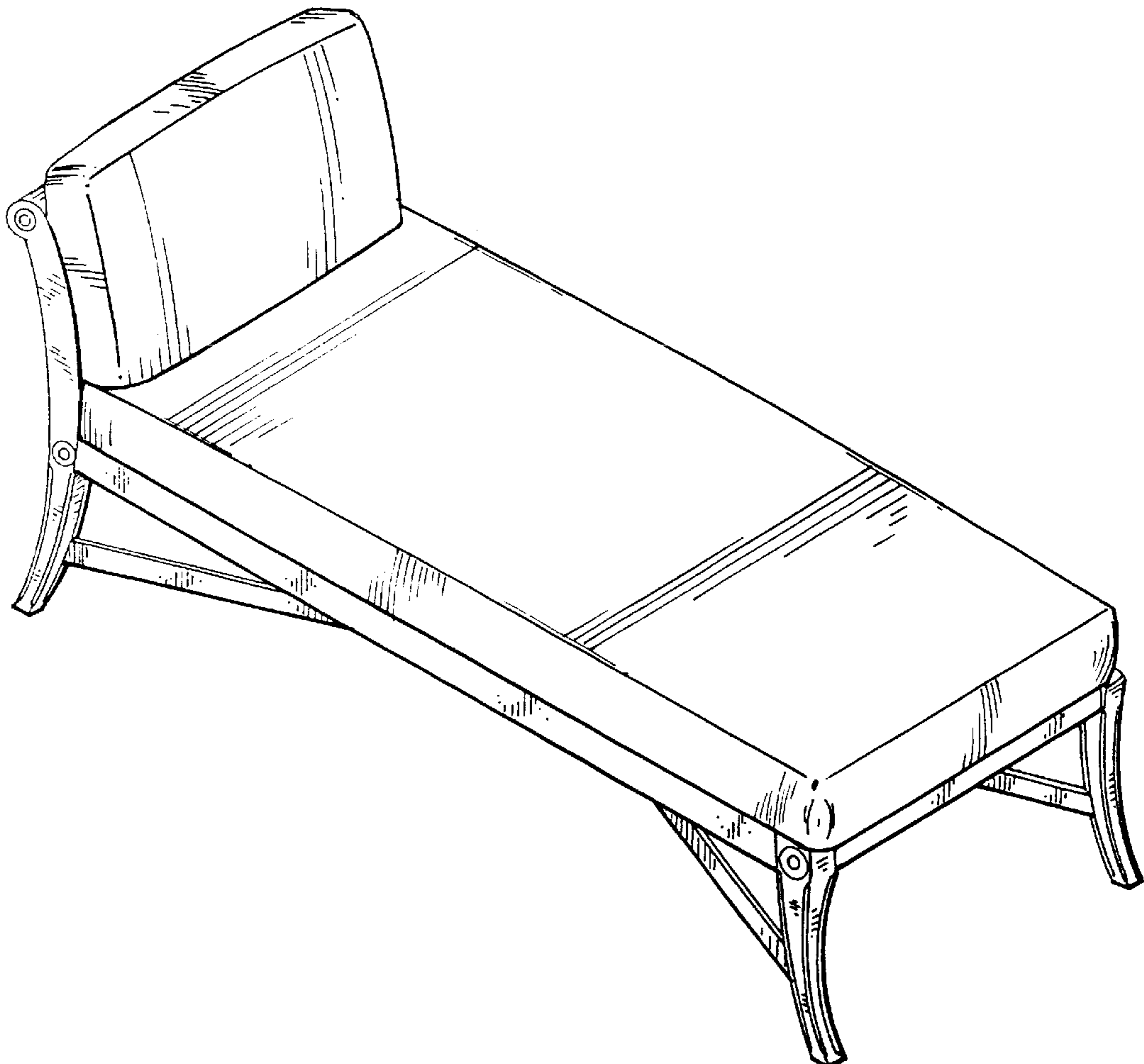


FIG. 1

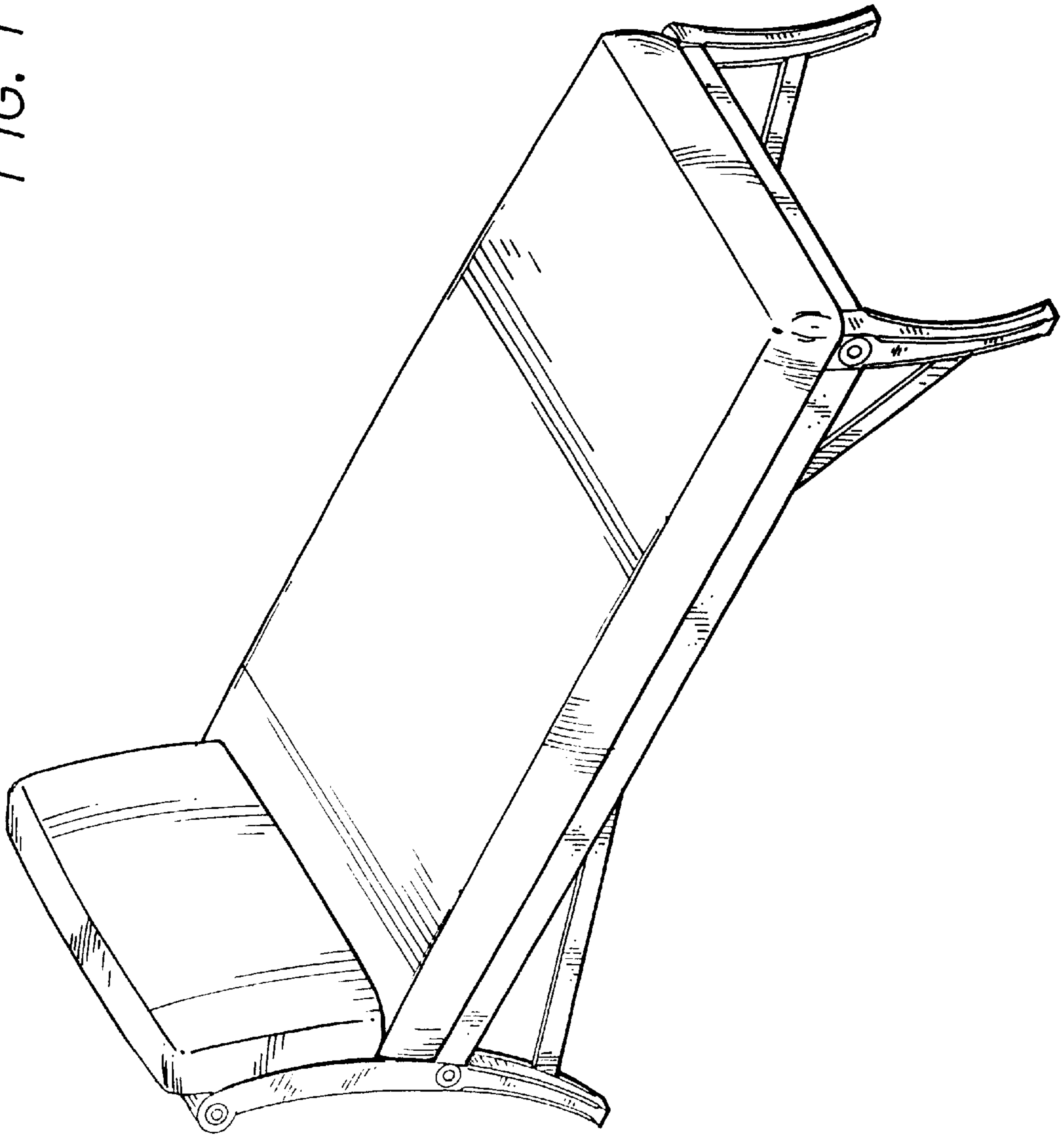


FIG. 2

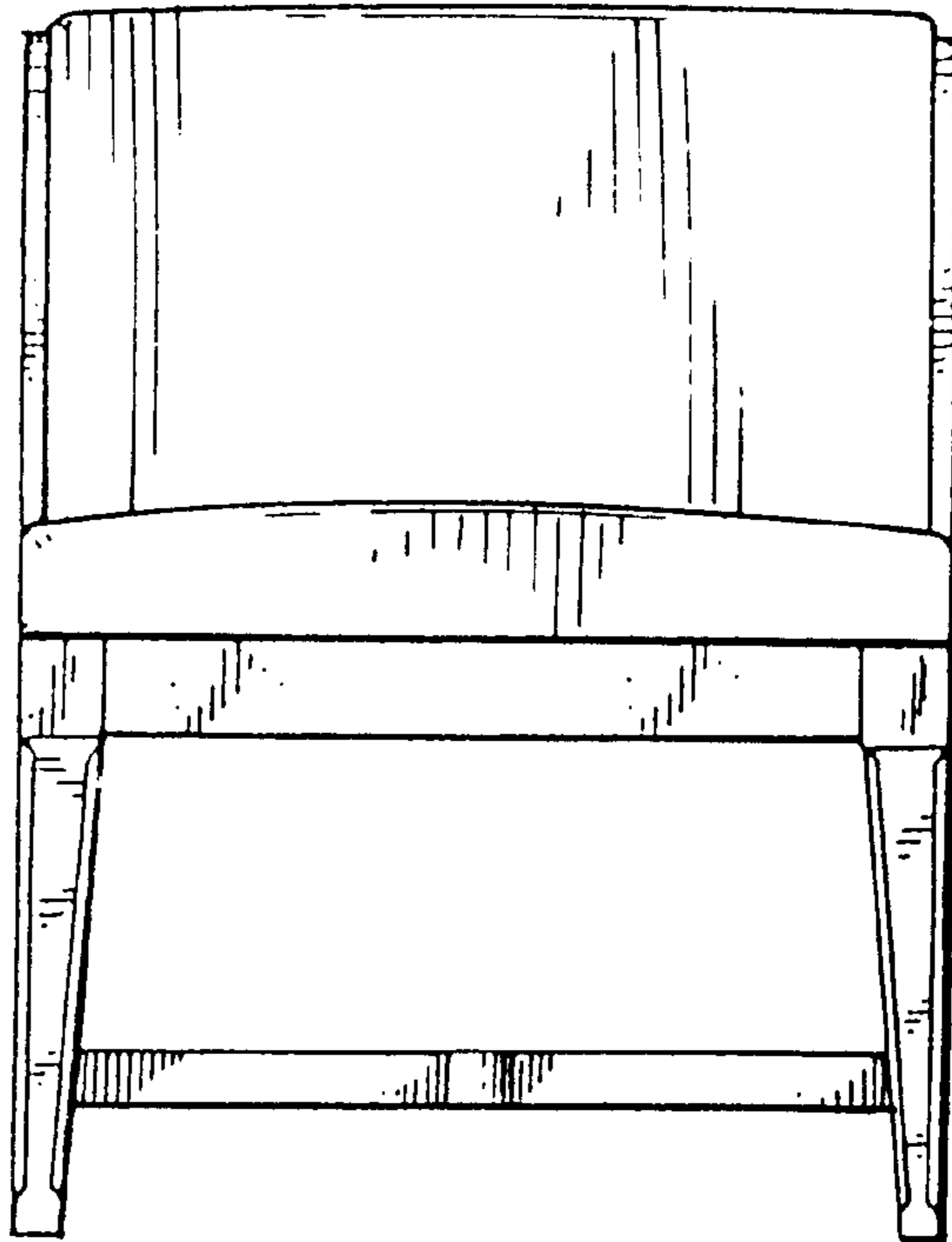


FIG. 6

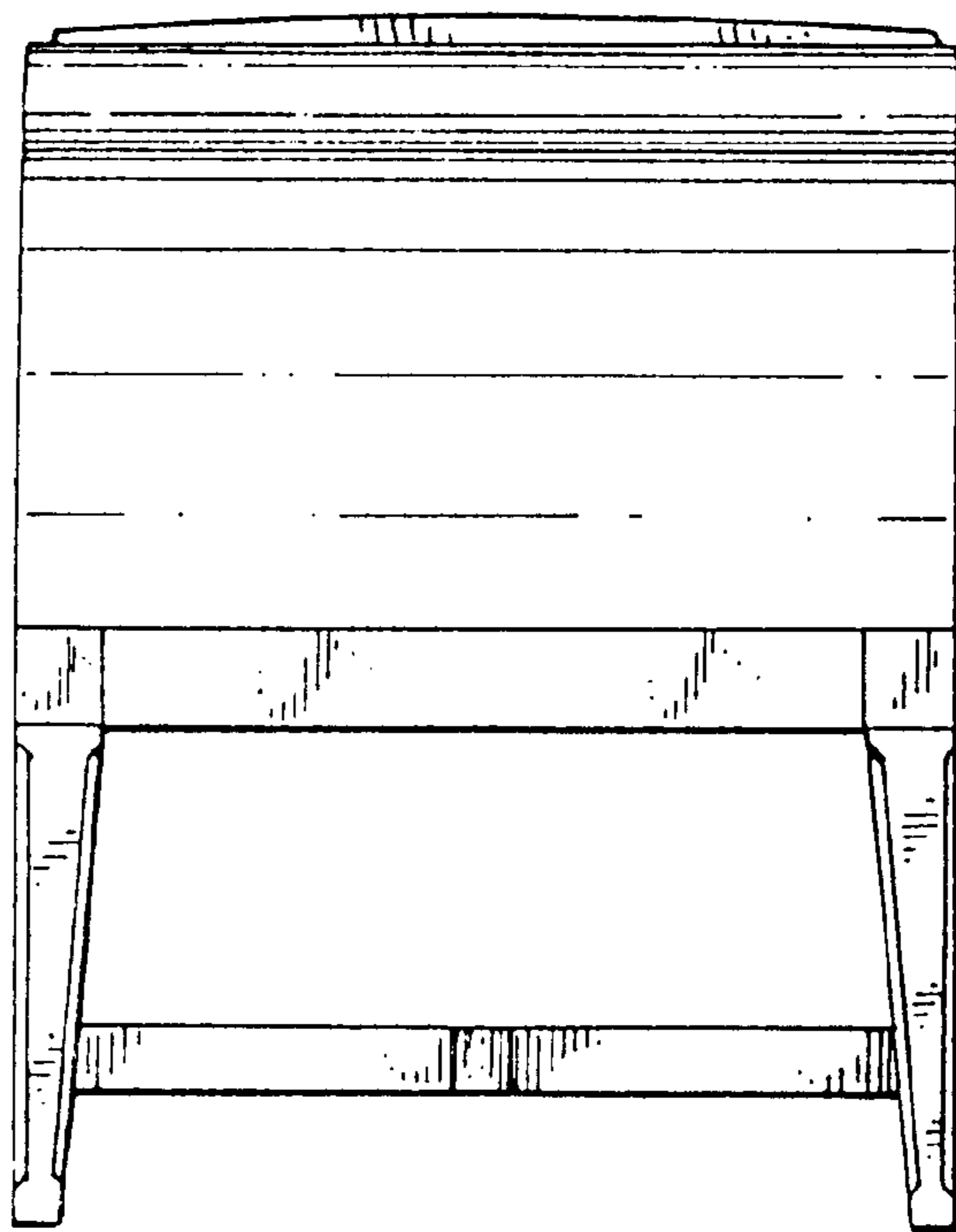


FIG. 3

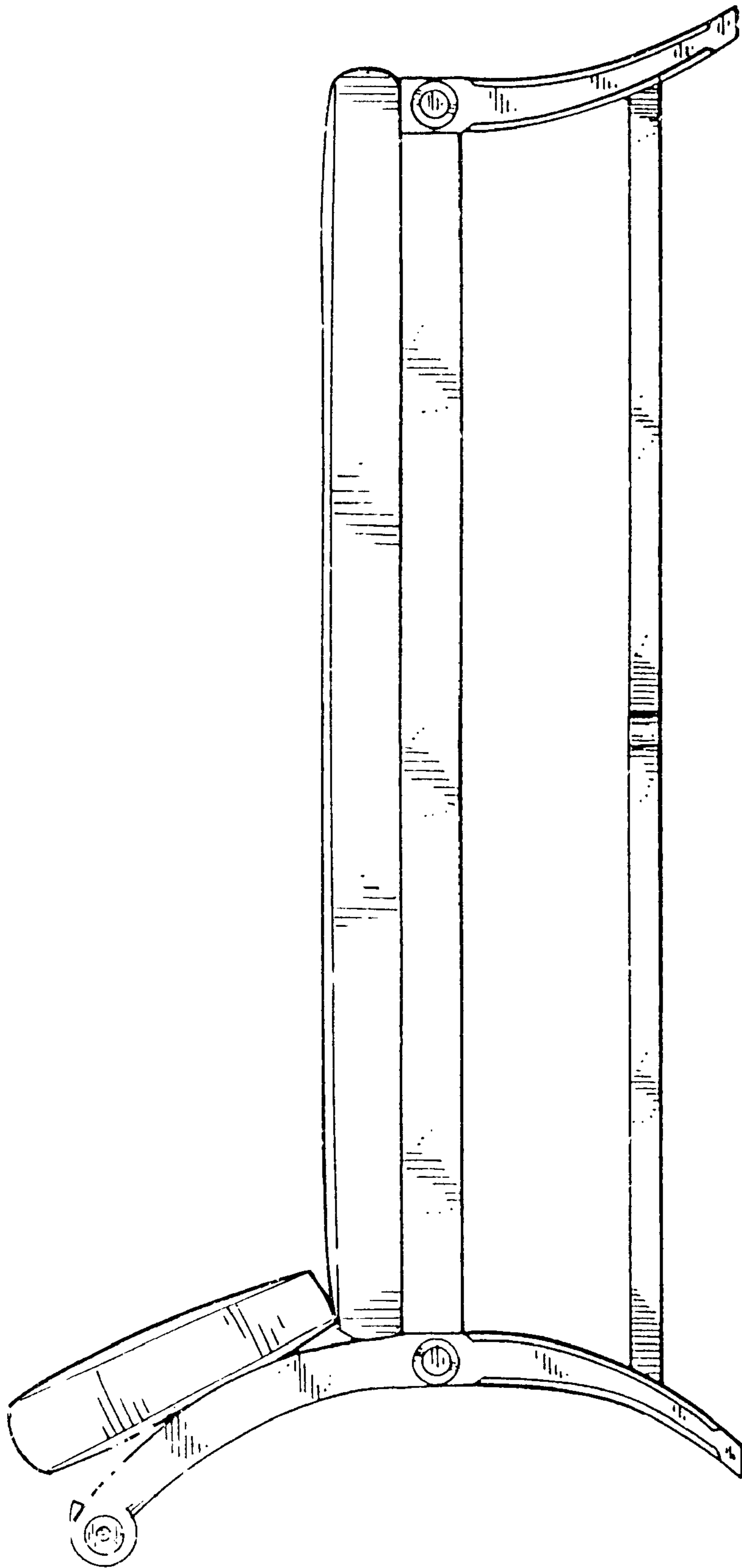


FIG. 4

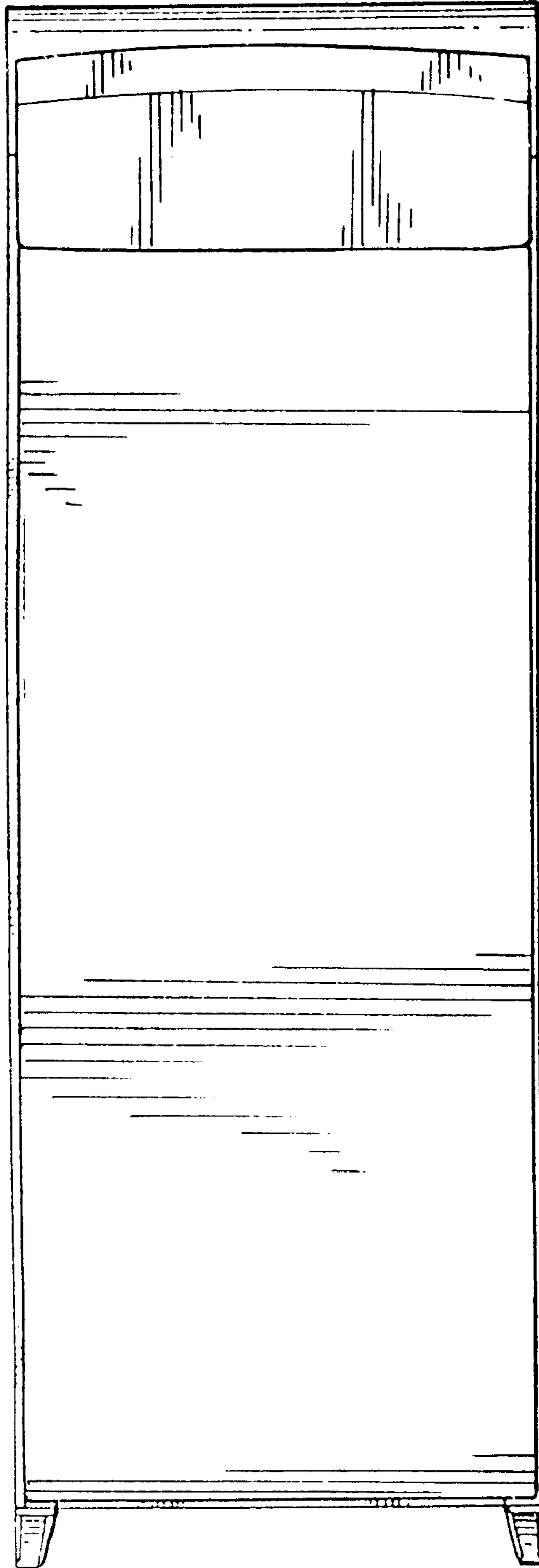


FIG. 5

