



US00D465092S

(12) **United States Design Patent**  
**Carlson**

(10) **Patent No.:** **US D465,092 S**

(45) **Date of Patent:** **\*\* Nov. 5, 2002**

(54) **APERTURED NONWOVEN FABRIC**

(75) **Inventor:** **Cheryl Carlson**, Willow Springs, NC (US)

(73) **Assignee:** **Polymer Group Inc.**, North Charleston, SC (US)

(\*\*) **Term:** **14 Years**

(21) **Appl. No.:** **29/141,887**

(22) **Filed:** **May 15, 2001**

(51) **LOC (7) Cl.** ..... **05-06**

(52) **U.S. Cl.** ..... **D5/47; D5/1; D5/60**

(58) **Field of Search** ..... D5/1, 2, 3, 7, D5/11, 19, 25, 47, 49, 50, 52, 53, 54, 57, 58, 59, 60, 61, 99; D6/595, 596, 603, 605, 608; D24/124, 125, 126; D25/100, 152, 154, 155; 15/230; 28/104; 156/148; 264/258, 284, 504; 428/43, 116, 117, 118, 131, 156, 167, 171, 187, 195, 304.4, 542.2, 542.6, 596, 904.4; 442/149, 384; 493/63, 937, 966; 604/358, 370, 384

(56) **References Cited**

**U.S. PATENT DOCUMENTS**

D88,352 S \* 11/1932 Huber ..... D5/19  
1,918,149 A \* 7/1933 Sullivan ..... D25/154

D100,743 S \* 8/1936 Siner ..... D5/19  
D102,846 S \* 1/1937 Siner ..... D5/19  
D105,042 S \* 6/1937 Tyson ..... D5/59  
D112,302 S \* 11/1938 Hansmann ..... D5/7  
D205,890 S \* 10/1966 Pink ..... D5/1  
5,265,364 A \* 11/1993 Nelson et al. .... 428/187

\* cited by examiner

*Primary Examiner*—Doris V. Coles

*Assistant Examiner*—T. Chase Nelson

(74) *Attorney, Agent, or Firm*—Wood, Phillips, Katz, Clark & Mortimer

(57) **CLAIM**

The ornamental design for a apertured nonwoven fabric, substantially as shown and described.

**DESCRIPTION**

FIG. 1 is a perspective view of a apertured nonwoven fabric showing my new design;

FIG. 2 is a side elevational view thereof taken along lines 2—2 of FIG. 1, the opposite side elevational view being a mirror image; and,

FIG. 3 is a top plan view thereof.

The broken lines surrounding the claimed design indicate that the apertured nonwoven fabric has indeterminate length and width. The broken lines form no part of the claimed design.

**1 Claim, 1 Drawing Sheet**

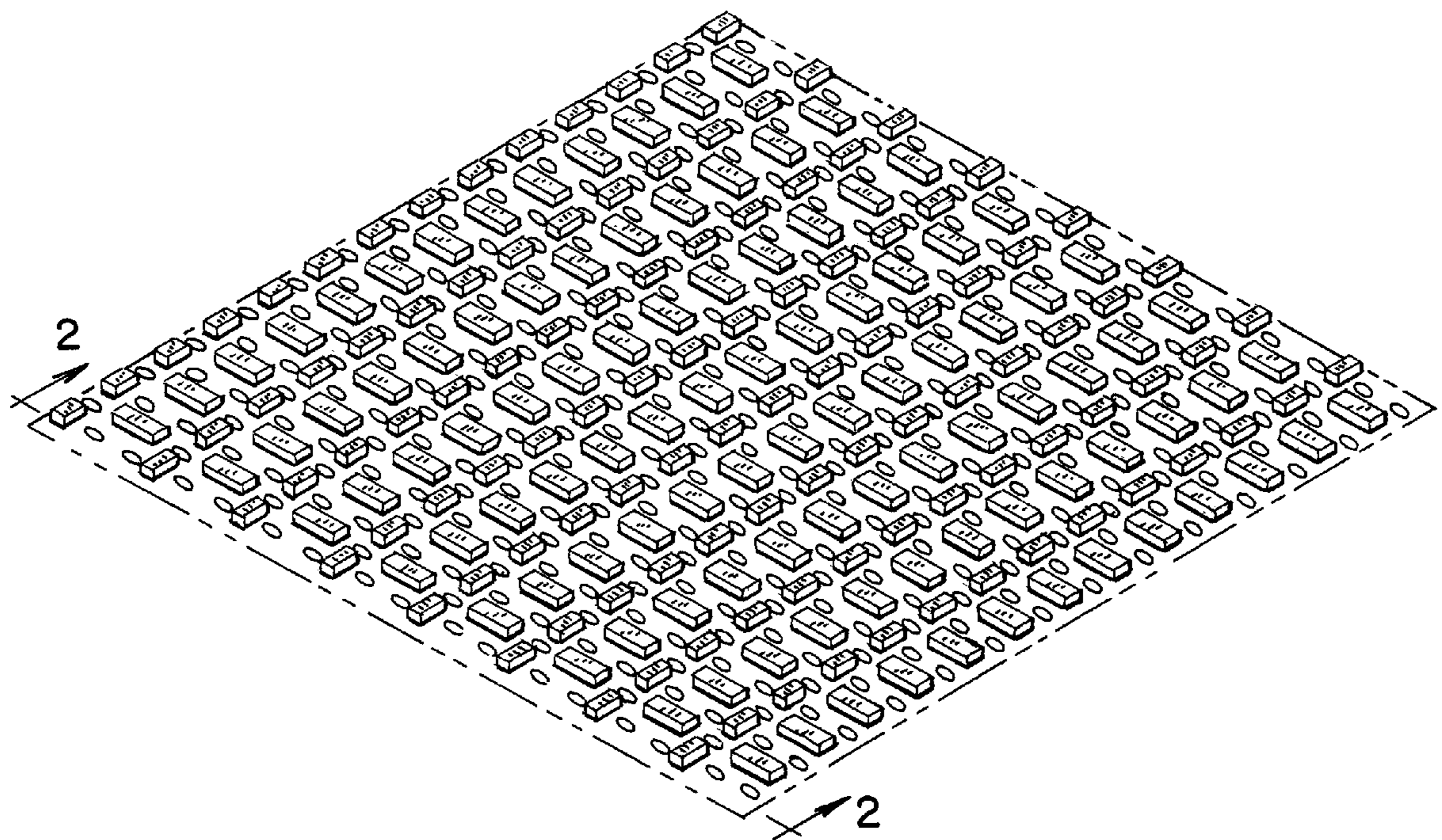




FIG. 1

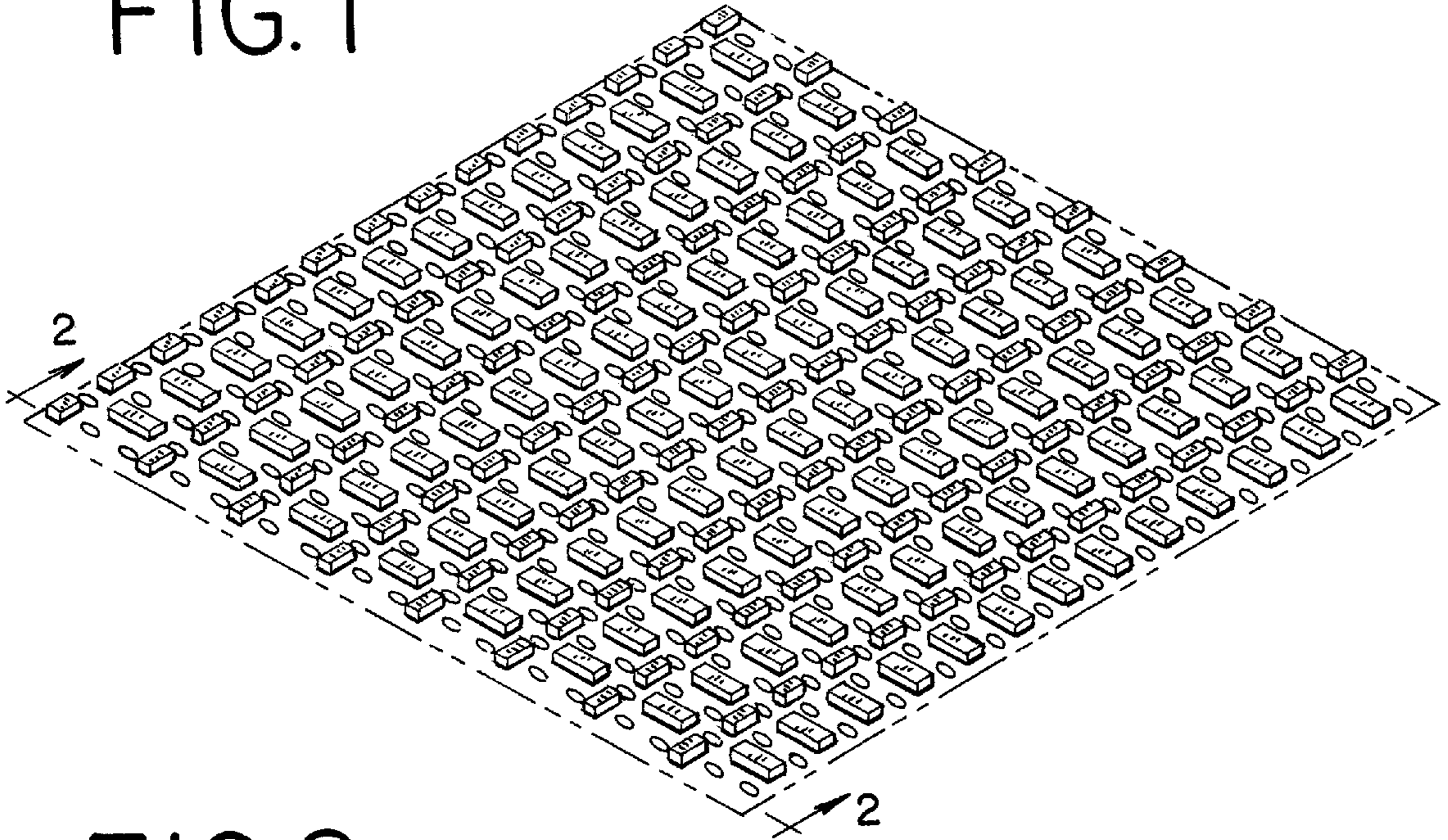


FIG. 2



FIG. 3

