



US00D465091S

(12) **United States Design Patent**  
**Woodnorth et al.**

(10) **Patent No.: US D465,091 S**

(45) **Date of Patent: \*\* \*Nov. 5, 2002**

(54) **PAINT BRUSH**

JP	6-266193	8/1994
JP	6-85778	12/1994
WO	WO 93/16846	9/1993

(75) Inventors: **Brian E. Woodnorth**, Whitefish Bay, WI (US); **Brian C. Bone**, St. Louis, MO (US); **Heath A. Doty**, Richmond Heights, MO (US); **Kent P. Ritzel**, Waterloo, IL (US); **William Dean Ungar**, Redondo Beach, CA (US); **Jonathan Hawley**, Abbots Bromley (GB)

**OTHER PUBLICATIONS**

Old World Brush & tool Co., "Decorative Painting Brushes & Tools for the Specialist Painter", 4 pages.

(List continued on next page.)

*Primary Examiner*—Alan P. Douglas

*Assistant Examiner*—Lavone Tabor

(73) Assignee: **Newell Operating Company**, Freeport, IL (US)

(74) *Attorney, Agent, or Firm*—Marshall, Gerstein & Borun

(\* ) Notice: This patent is subject to a terminal disclaimer.

(57) **CLAIM**

(\*\*) Term: **14 Years**

We claim the ornamental design for a paint brush, as shown and described.

(21) Appl. No.: **29/137,294**

**DESCRIPTION**

(22) Filed: **Feb. 16, 2001**

The present application is related to U.S. patent application Ser. No. 29/121,031 (now U.S. Patent No. D440,769) entitled paint brush and filed on Mar. 30, 2000; U.S. patent application Ser. No. 29/121,044 (now U.S. Patent No. D440,405) entitled paint brush and filed on Mar. 30, 2000, and U.S. patent application Ser. No. 29/121,034 (now U.S. Patent No. D446,943) entitled paint brush and filed on Mar. 30, 2000, the full disclosures of which are hereby incorporated by reference.

(51) **LOC (7) Cl.** ..... **04-04**

(52) **U.S. Cl.** ..... **D4/135; D4/138**

(58) **Field of Search** ..... D4/132, 135, 138; 15/143.1, 159.1, 160, 168, 191.1, 192-194; 16/110.1, 430, 431, DIG. 12, DIG. 18, DIG. 19

FIG. 1 is a perspective view illustrating a paint brush of the present invention;

(56) **References Cited**

**U.S. PATENT DOCUMENTS**

375,773 A	1/1888	Rockwell
376,540 A	1/1888	McQuide
412,479 A	10/1889	Davis

FIG. 2 is a top plan view thereof, the bottom plan view being a mirror image of FIG. 2;

(List continued on next page.)

FIG. 3 is a right side elevational view thereof;

**FOREIGN PATENT DOCUMENTS**

BE	514702	7/1954
DE	2 256 856	5/1974
DE	27 35 542	2/1979
GB	351858	7/1931
GB	844124	8/1960
GB	2050156	1/1981

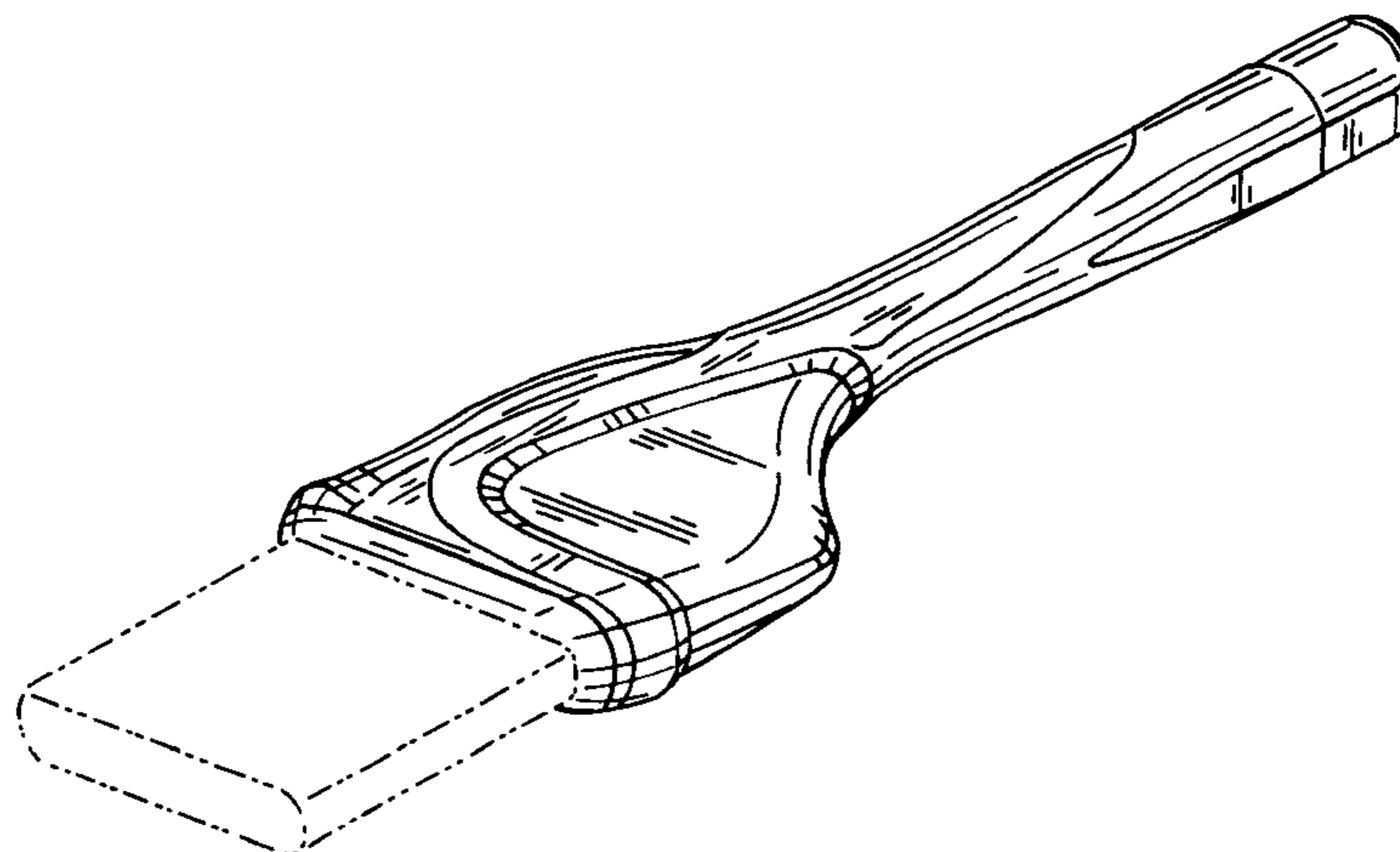
FIG. 4 is a left side elevational view thereof;

FIG. 5 is a front elevational view thereof; and,

FIG. 6 is a rear elevational view thereof.

The ornamental design which is claimed is shown in solid lines in the drawings. The broken lines in the drawings are for illustrative purposes only and form no part of the claimed design. The broken lines defining the front end of the handle represent the bounds of the claim design and form no part thereof.

**1 Claim, 2 Drawing Sheets**



# US D465,091 S

Page 2

## U.S. PATENT DOCUMENTS

D30,616 S	4/1899	Bentzinger	4,751,762 A	6/1988	Meimeteas
D31,122 S	7/1899	Kelly	4,847,939 A	7/1989	Derencsenyi et al.
673,506 A	5/1901	Pitts	D309,379 S	7/1990	Dawes
1,054,709 A	3/1913	Munro	D311,455 S	10/1990	Snipes
1,687,335 A	10/1928	Jackline	D333,217 S	2/1993	Gingras
1,826,165 A	10/1931	Cartwright	D347,327 S	5/1994	Ricciarelli et al.
1,888,930 A	11/1932	McMillan	5,339,482 A	8/1994	Desimone et al.
2,236,034 A	3/1941	Luce et al.	5,343,585 A	9/1994	Howell
2,237,969 A	8/1941	Olsen	5,390,572 A	2/1995	Gakhar et al.
2,263,885 A	11/1941	McGauley	5,446,941 A	9/1995	Kelsay
2,304,319 A	12/1942	Saltzman	5,465,449 A	11/1995	Lewkowicz
2,426,315 A	8/1947	Marick	D367,963 S	3/1996	Mayer
D167,775 S	9/1952	Schmidt	5,556,092 A	9/1996	Theken
2,664,582 A	1/1954	Kammann	5,615,445 A	4/1997	Kelsay et al.
2,914,785 A	12/1959	Ela	5,761,759 A	6/1998	Leversby et al.
3,023,439 A	3/1962	Danley	5,761,767 A	6/1998	Barton
3,067,446 A	12/1962	McGauley	5,920,943 A	7/1999	Barker
3,153,801 A	10/1964	Weiss et al.	6,145,151 A	11/2000	Herron et al.
D211,446 S	6/1968	Hange	D439,417 S	3/2001	Woodnorth et al.
D216,247 S	12/1969	McGuire			
D223,017 S	2/1972	Pharris et al.			
3,819,779 A	6/1974	Pharris et al.			
D240,678 S	7/1976	Herig			
4,454,623 A	6/1984	O'Halloran			
4,481,689 A	11/1984	Westmoreland			
4,490,875 A	1/1985	Grunz			
4,495,669 A	1/1985	Hooper			
D292,348 S	10/1987	Roberts et al.			

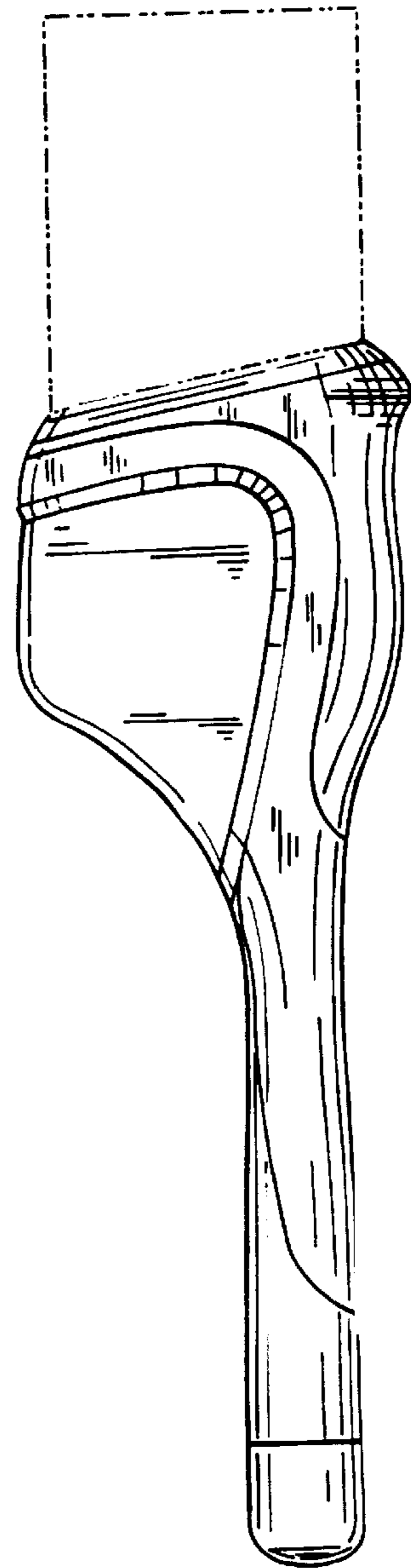
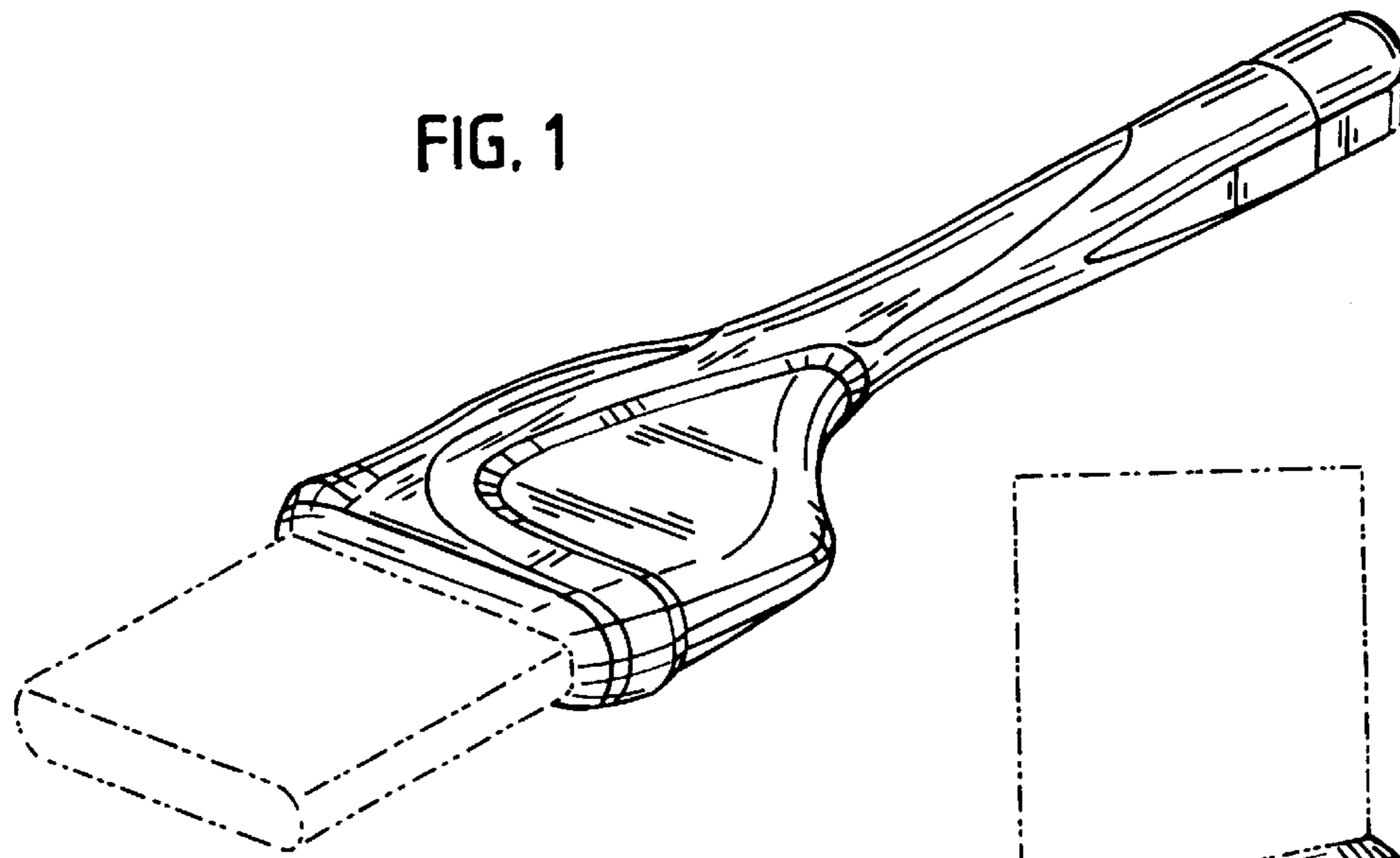
## OTHER PUBLICATIONS

Excerpts from Bestt/Liebco Catalog (date unknown), 6 pages.

Excerpts from Bestt/Liebco Catalog 4-81, 9 pages.

Excerpts from Corona Catalog #17, 1990, 8 pages, Paint Brushes.

"One Coater Supreme—The Brush That's Better At Both Ends!", EZ Paint, 1996, 1 page.



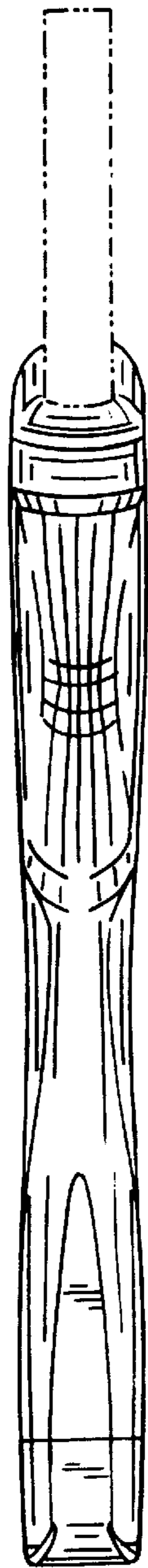


FIG. 3

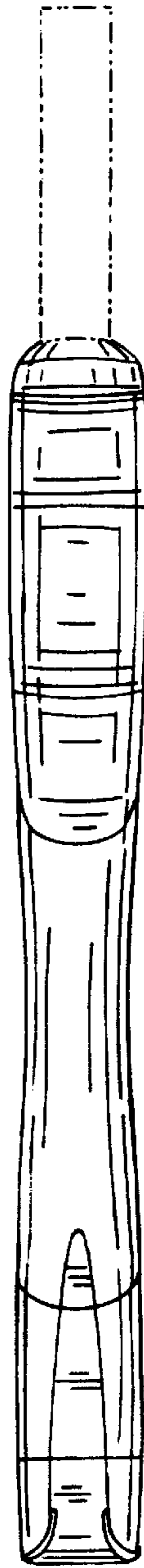


FIG. 4

FIG. 5

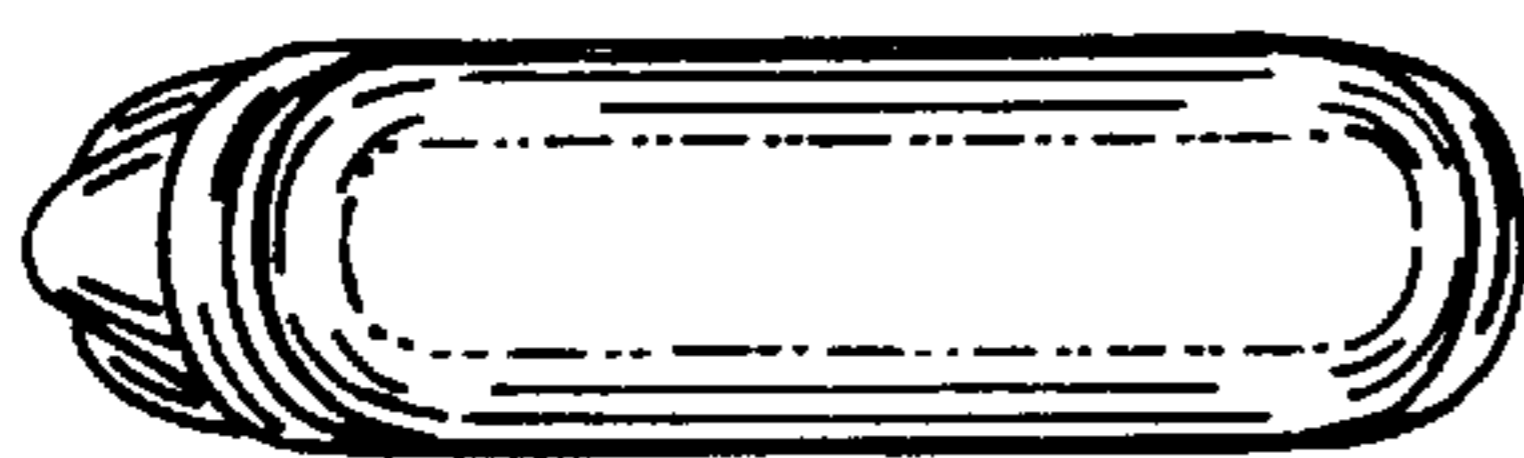


FIG. 6

