



US00D465087S

(12) **United States Design Patent** (10) **Patent No.:** **US D465,087 S**  
**Shapiro** (45) **Date of Patent:** **\*\* Nov. 5, 2002**

(54) **PORTFOLIO**

5,236,226 A \* 8/1993 Sheffield ..... 281/31  
D414,935 S \* 10/1999 Bould ..... D3/303

(75) Inventor: **Bruce Shapiro**, Highland Park, IL (US)

\* cited by examiner

(73) Assignee: **It's Academic of Illinois, Inc.**

*Primary Examiner*—Louis S. Zarfes

(\*\*) Term: **14 Years**

*Assistant Examiner*—Deanne Levy

(74) *Attorney, Agent, or Firm*—Wood, Phillips, Katz, Clark & Mortimer

(21) Appl. No.: **29/140,357**

(22) Filed: **Apr. 17, 2001**

(57) **CLAIM**

(51) **LOC (7) Cl.** ..... **03-01**

The ornamental design for a portfolio, substantially as shown and described.

(52) **U.S. Cl.** ..... **D3/303**

**DESCRIPTION**

(58) **Field of Search** ..... D3/303, 290, 299,  
D3/900; 281/28, 29, 31, 45; 229/67.1, 67.3,  
67.4; D19/26, 27, 90, 99, 86, 75; 206/214,  
215, 425, 450, 472, 473, 475; 190/109,  
900

FIG. 1 is a perspective view of a portfolio showing my new design;

FIG. 2 is a front elevational view thereof;

FIG. 3 is a right side elevational view thereof;

FIG. 4 is a left side elevational view thereof;

FIG. 5 is a top plan view thereof;

FIG. 6 is a bottom plan view thereof; and,

FIG. 7 is a perspective view thereof showing the portfolio in an open condition.

(56) **References Cited**

**U.S. PATENT DOCUMENTS**

2,053,695 A \* 9/1936 Buxton ..... 190/109  
D322,987 S \* 1/1992 Testro et al. .... D19/26  
D335,958 S \* 6/1993 Peersmann ..... D3/303

**1 Claim, 2 Drawing Sheets**

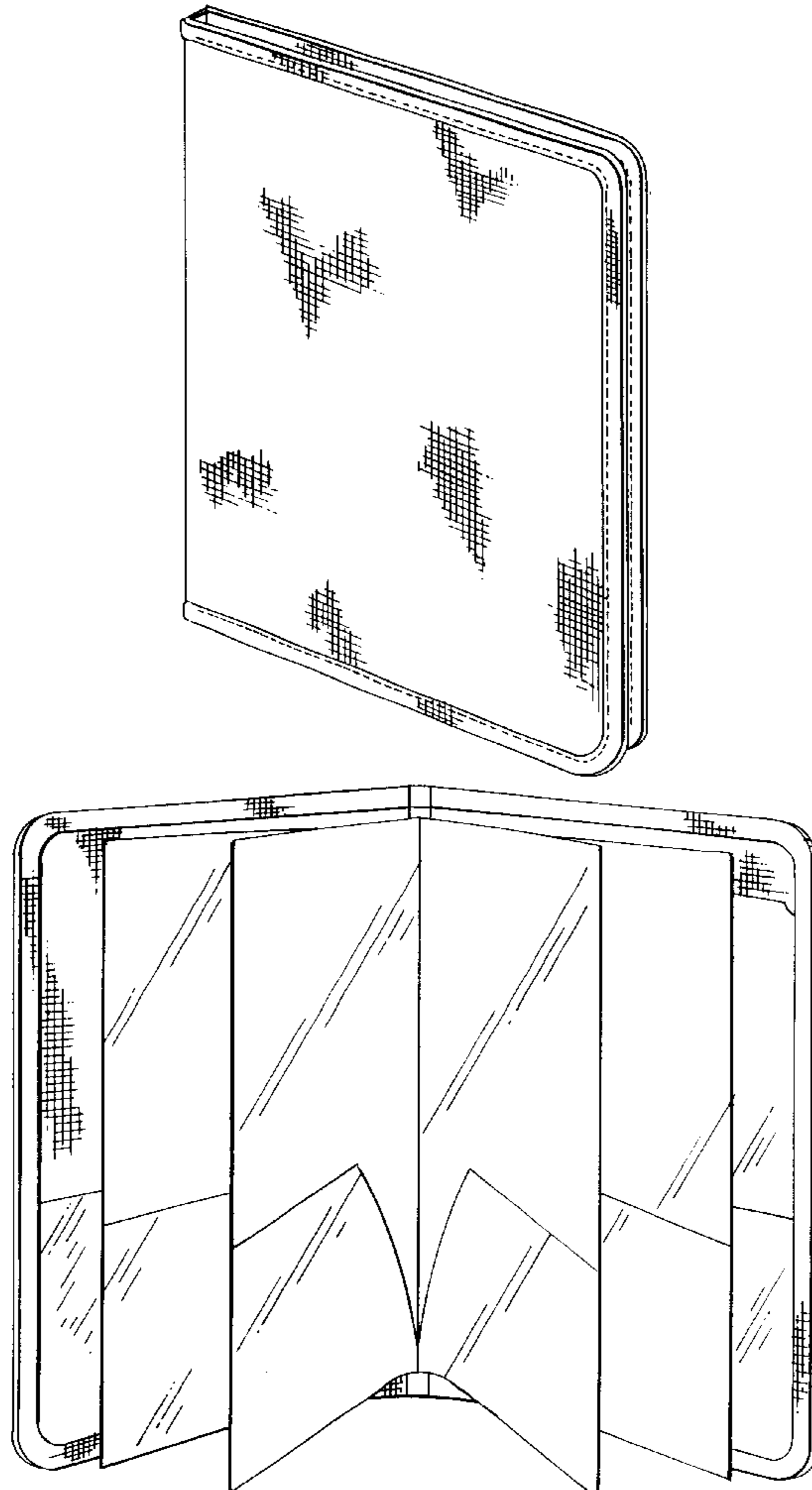


FIG. 1

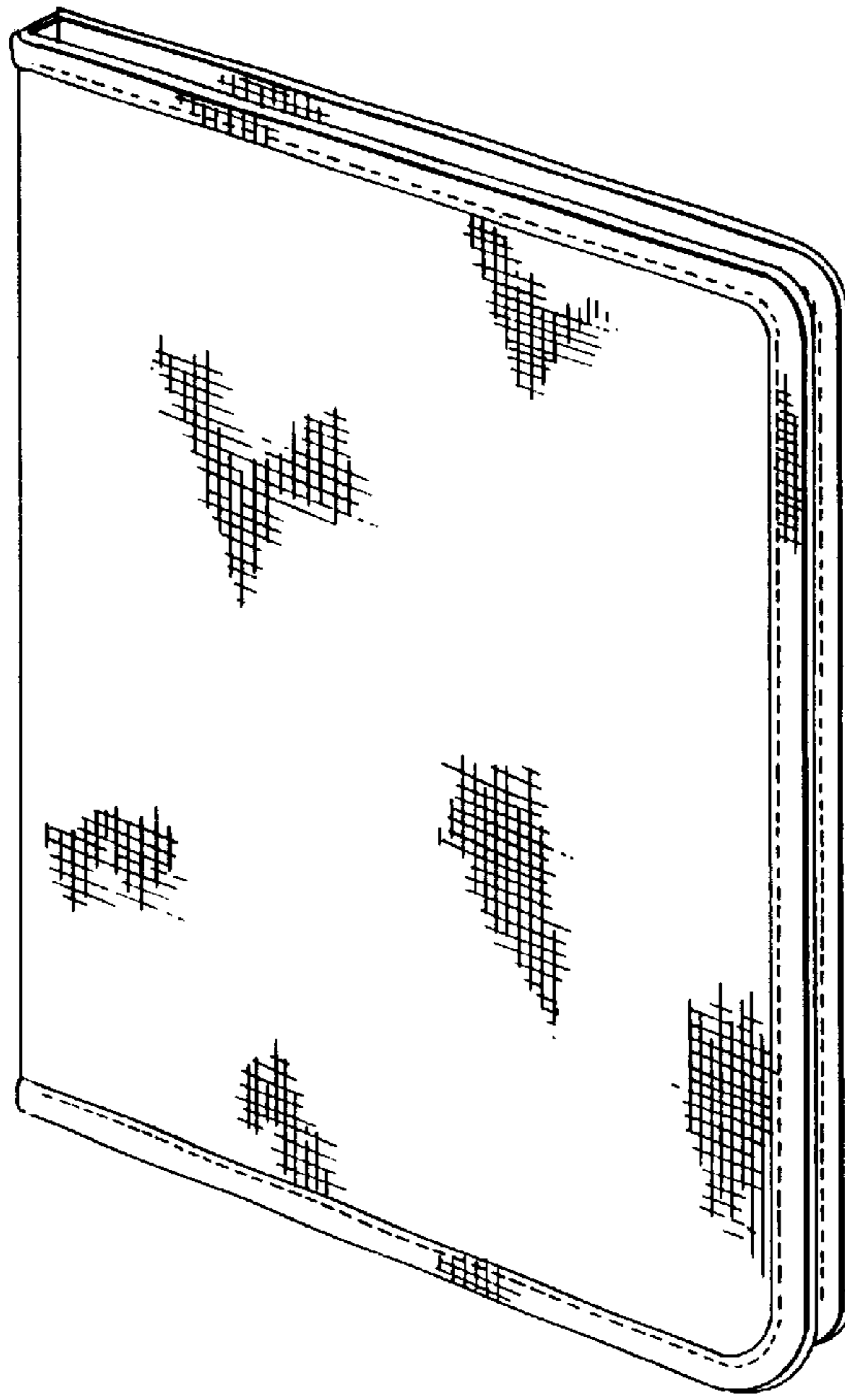


FIG. 4

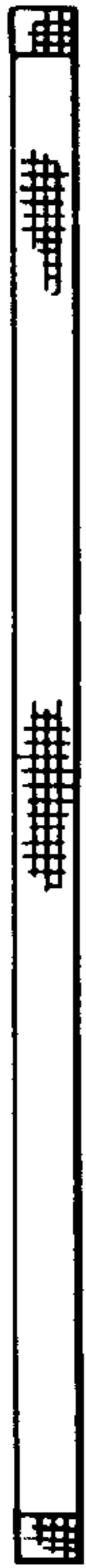


FIG. 2

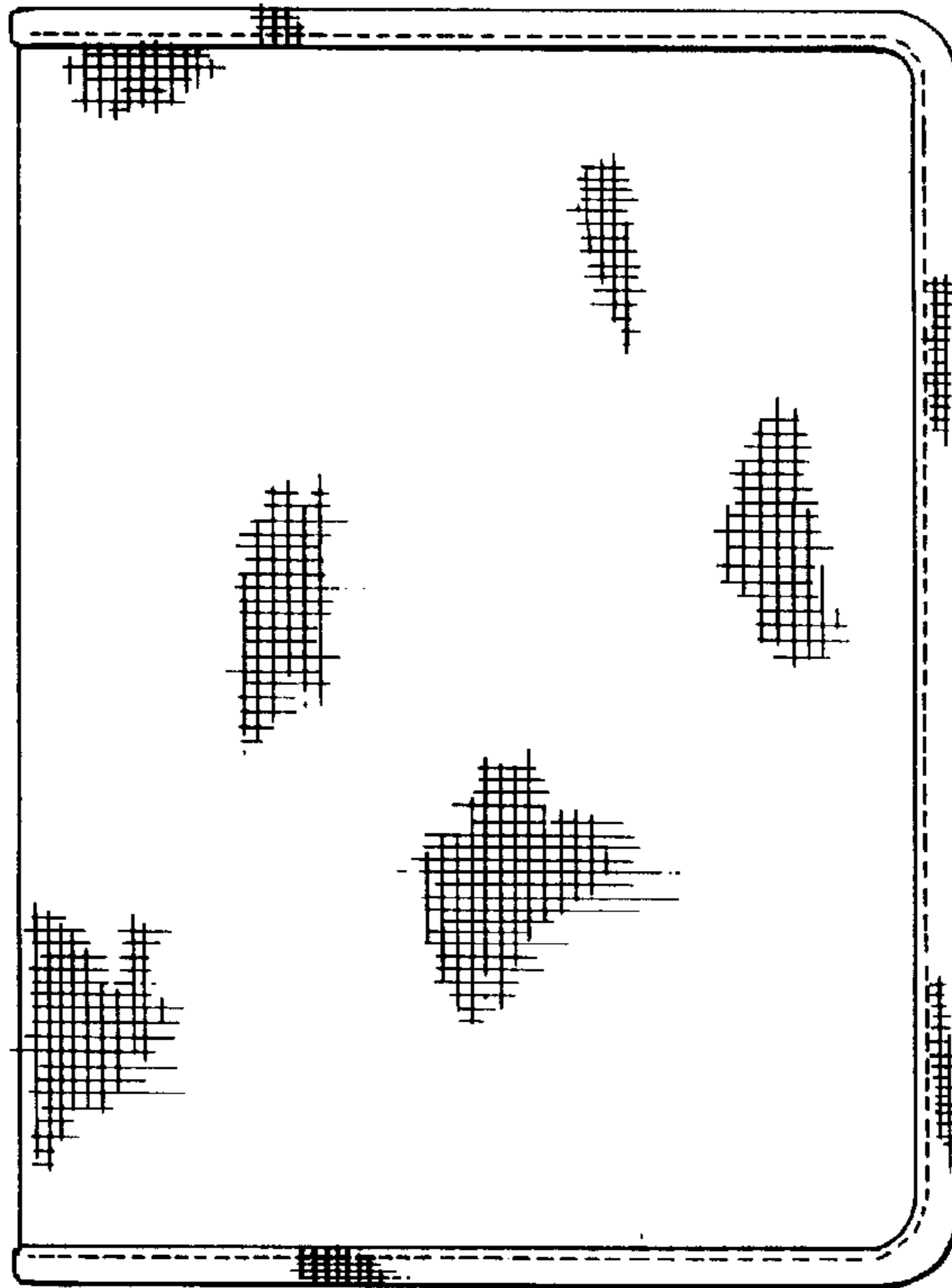


FIG. 3



FIG. 5

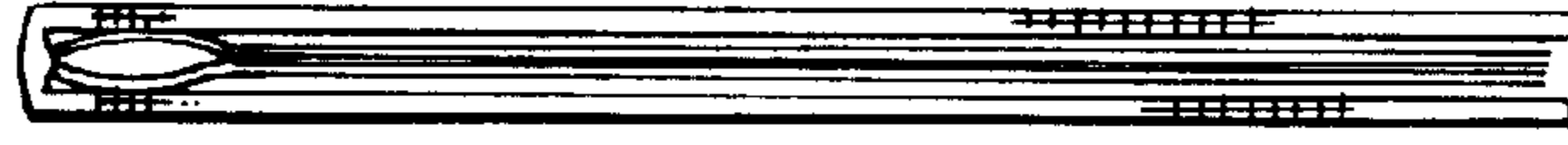


FIG. 6

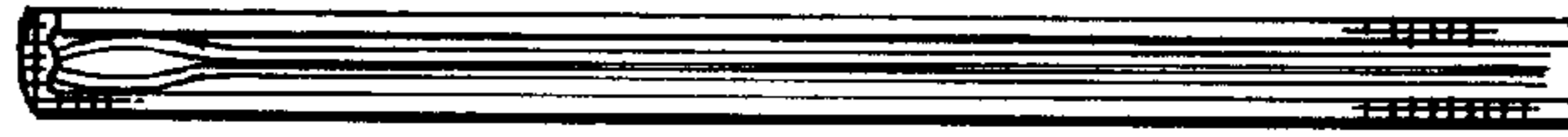


FIG. 7

