



US00D465082S

(12) **United States Design Patent**
Hassett

(10) **Patent No.:** **US D465,082 S**

(45) **Date of Patent:** **** Nov. 5, 2002**

(54) **COMPACT DISC PLAYER CASE WITH INTEGRAL BELT**

(75) Inventor: **Eric Hassett**, Golden, CO (US)

(73) Assignee: **Case Logic, Inc.**, Longmont, CO (US)

(**) Term: **14 Years**

(21) Appl. No.: **29/140,467**

(22) Filed: **Apr. 18, 2001**

(51) **LOC (7) Cl.** **03-01**

(52) **U.S. Cl.** **D3/218**

(58) **Field of Search** D3/218, 215, 224,
D3/226, 219, 232, 233; D6/407, 631-634;
224/240, 901, 904, 236, 914

(56) **References Cited**

U.S. PATENT DOCUMENTS

D386,014 S	*	11/1997	Chen	D6/407
D403,915 S	*	1/1999	Temple et al.	D6/631
D414,929 S	*	10/1999	Brucki	D3/226
D434,897 S	*	12/2000	Hillman	D3/218

* cited by examiner

Primary Examiner—Catherine R. Oliver
(74) *Attorney, Agent, or Firm*—Sheridan Ross P.C.

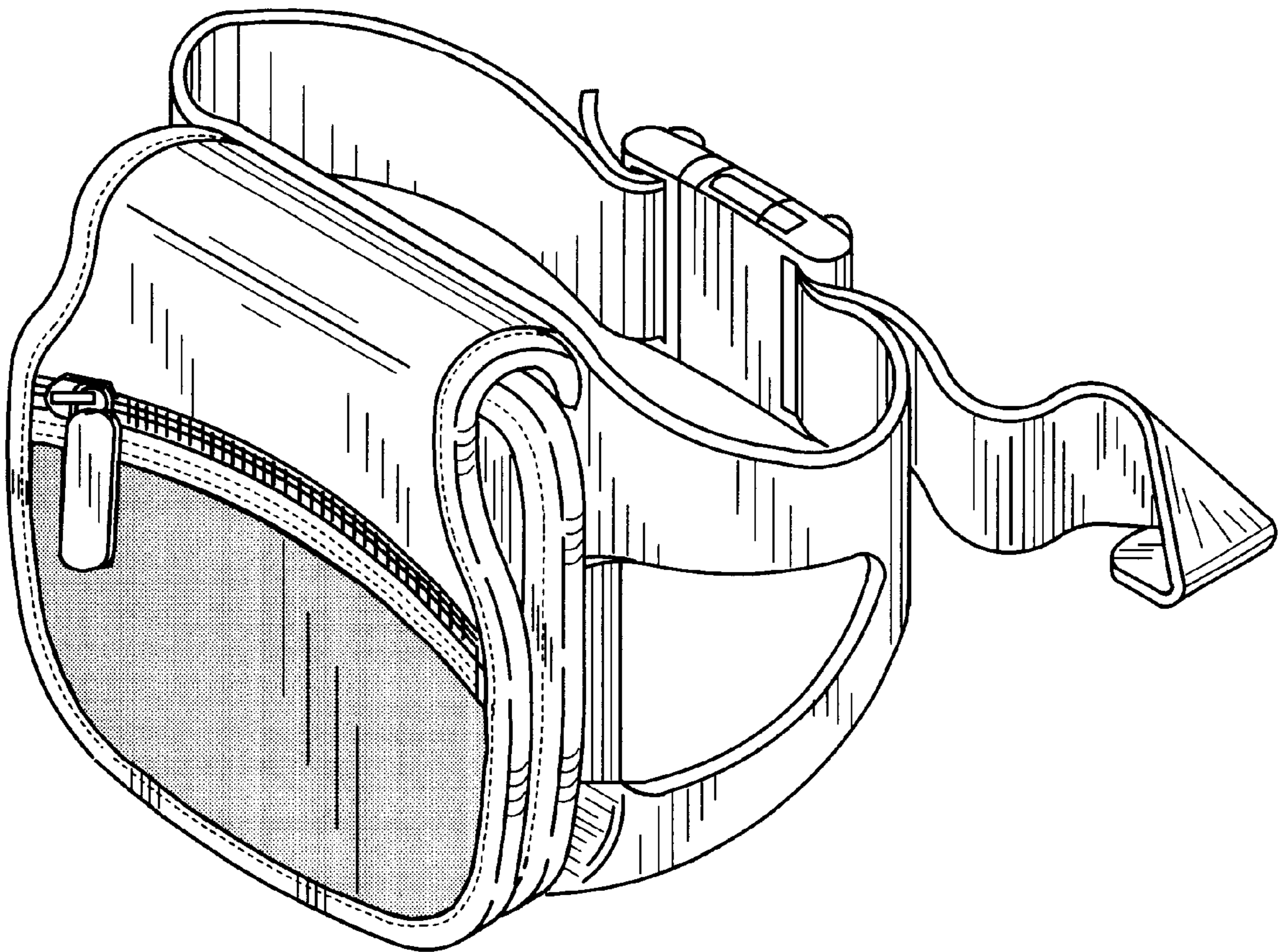
(57) **CLAIM**

The ornamental design for a compact disc player case with integral belt, as shown and described.

DESCRIPTION

FIG. 1 is a front perspective view of a compact disc player case with integral belt showing my new design; FIG. 2 is a front view of the invention illustrated in FIG. 1; FIG. 3 is a left elevation view of the invention illustrated in FIG. 1; FIG. 4 is a right elevation view of the invention illustrated in FIG. 1; FIG. 5 is a top plan view of the invention illustrated in FIG. 1; FIG. 6 is a bottom plan view of the invention illustrated in FIG. 1; FIG. 7 is a rear elevation view of the invention illustrated in FIG. 1; and, FIG. 8 is a front perspective view of the invention shown in FIG. 1, with the front flap in an open position, the broken lines depicting environment and forming no part of my new design.

1 Claim, 2 Drawing Sheets



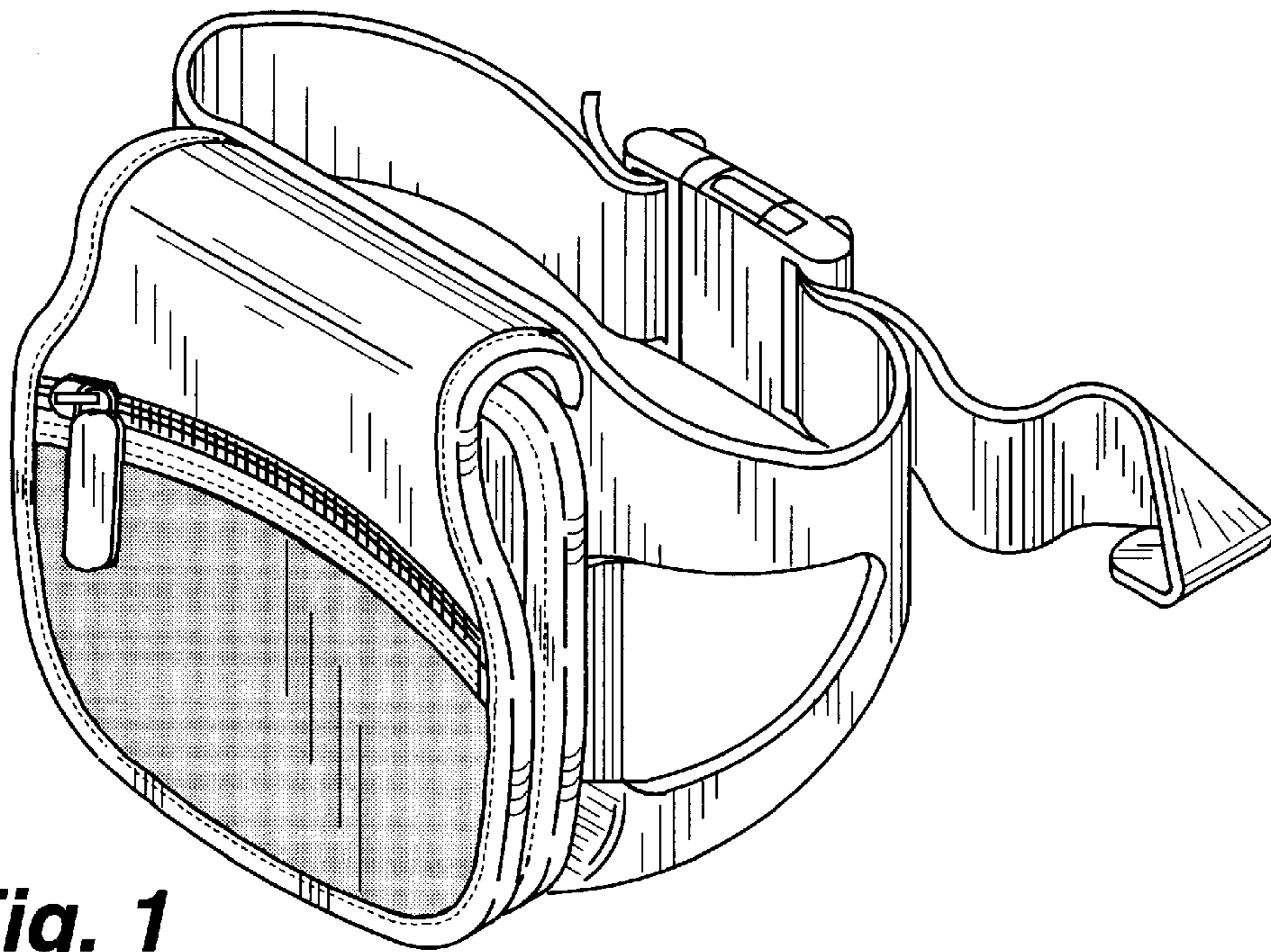


Fig. 1

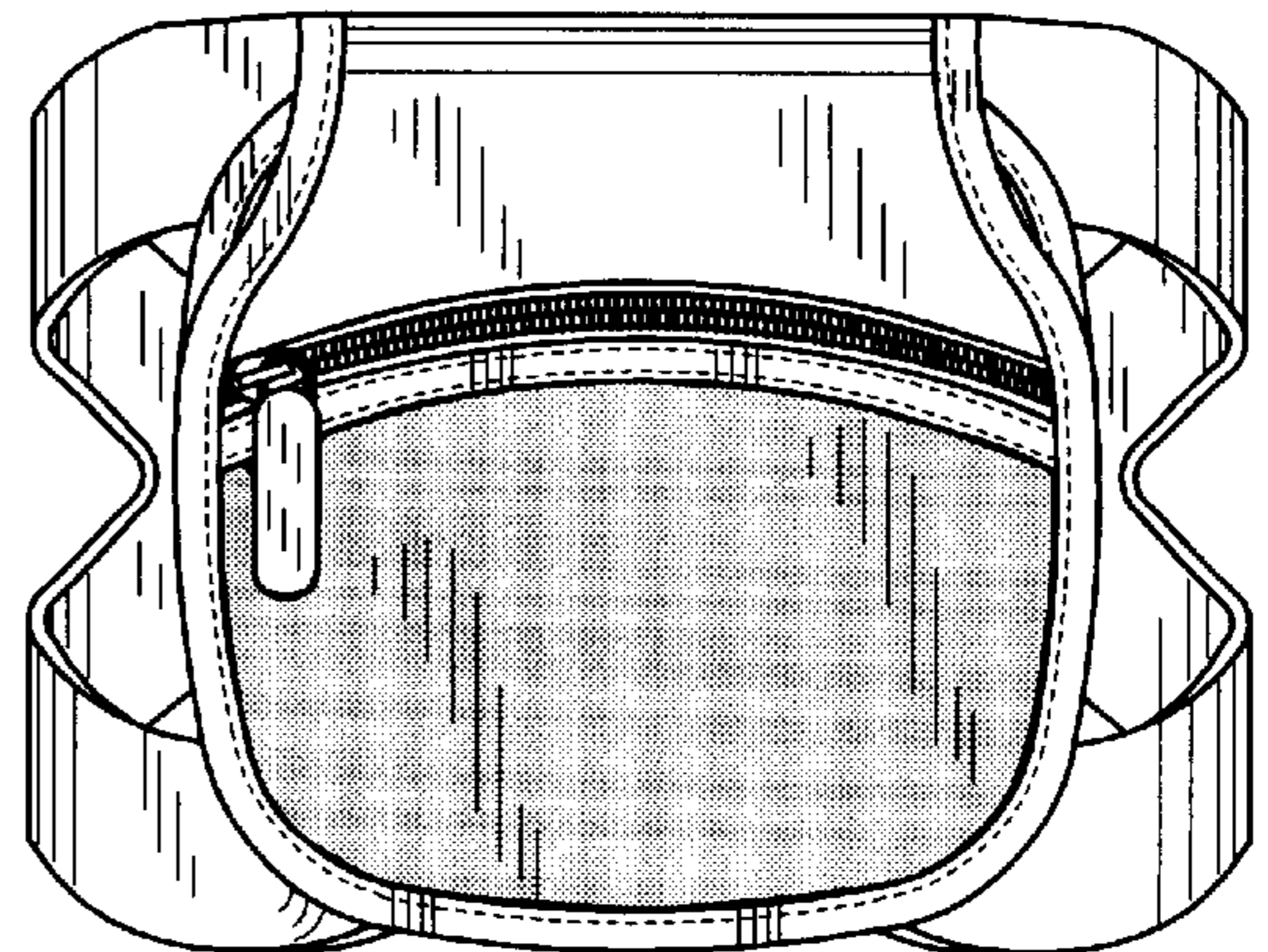


Fig. 2

Fig. 3

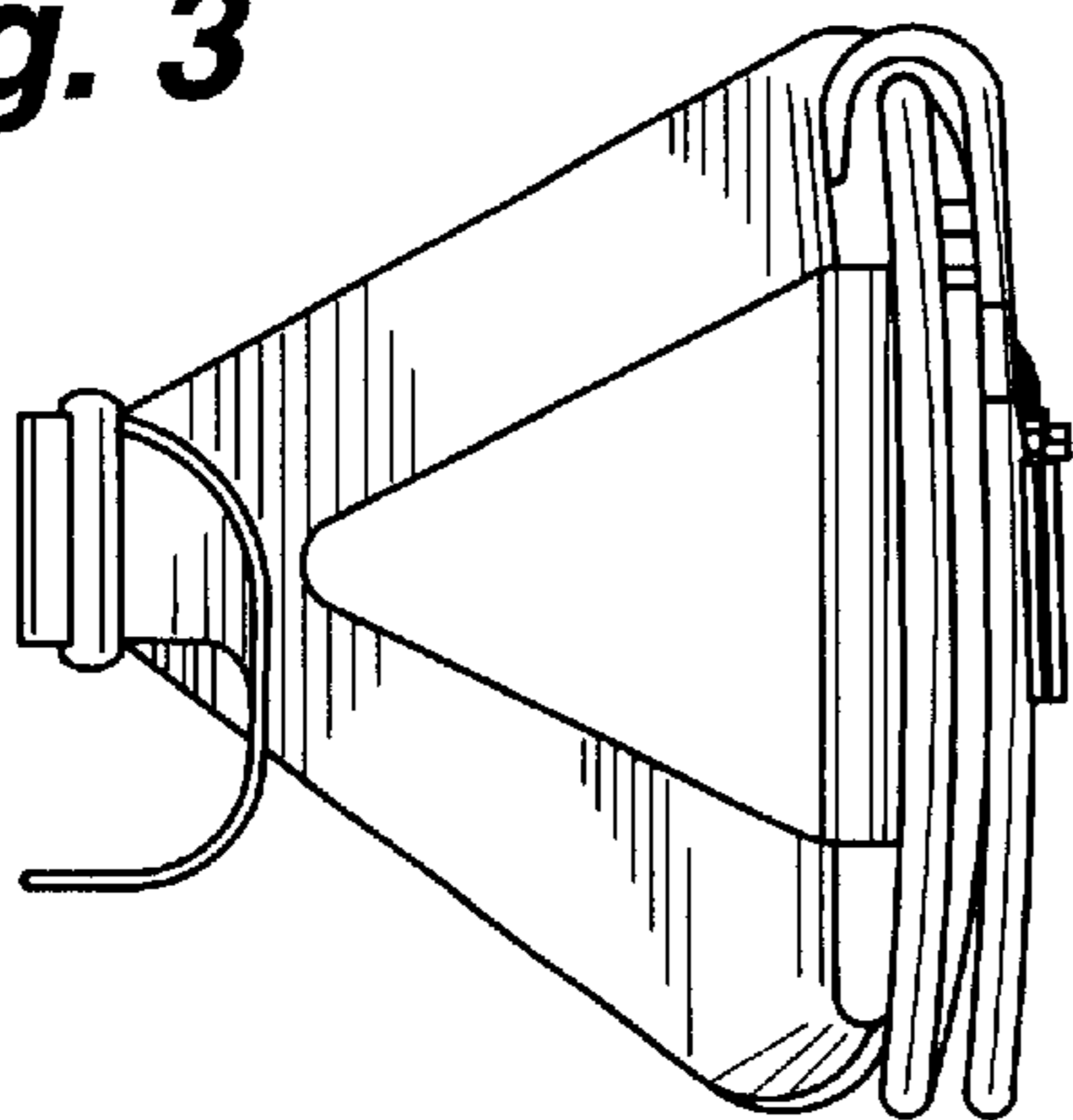
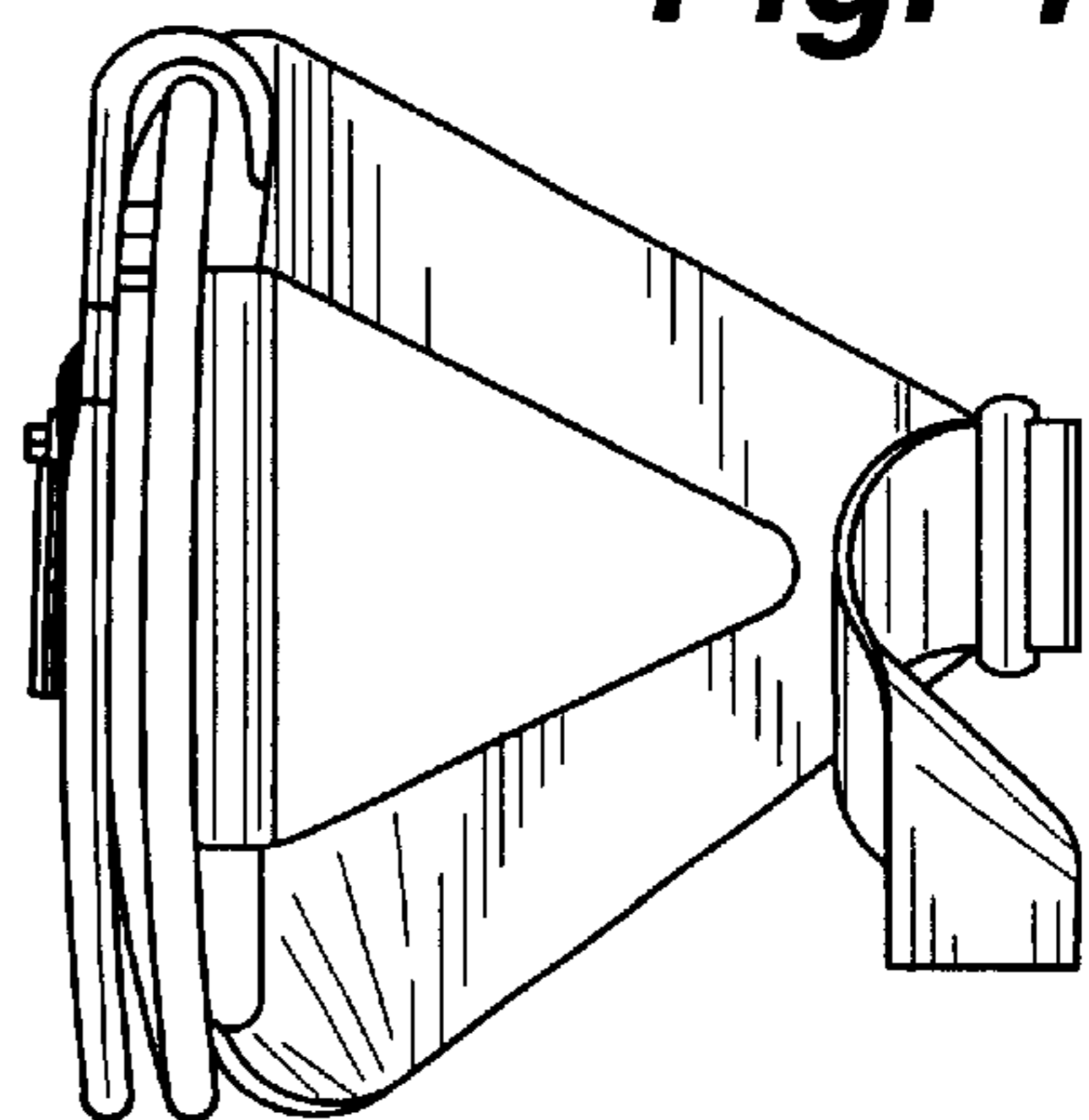


Fig. 4



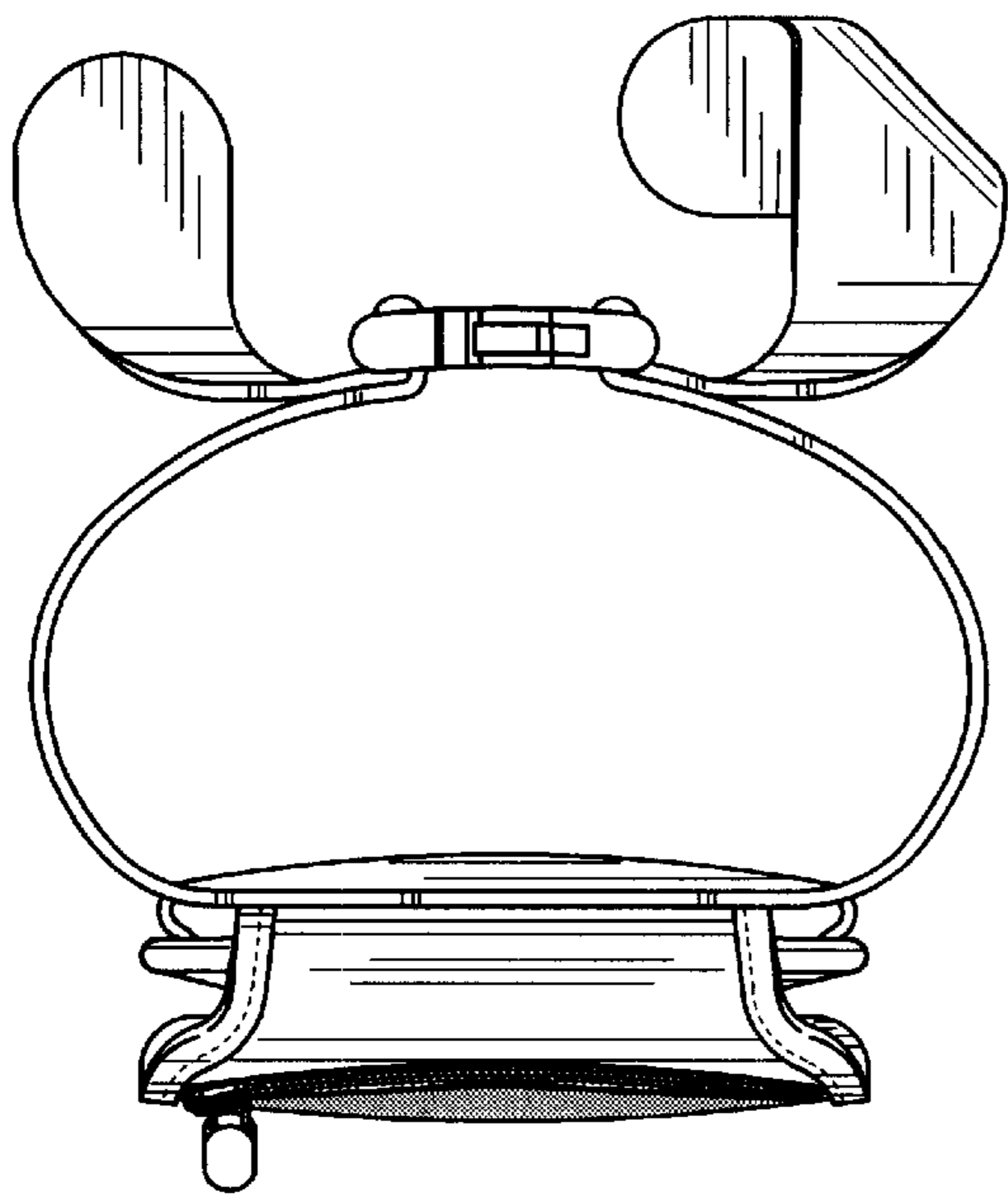


Fig. 5

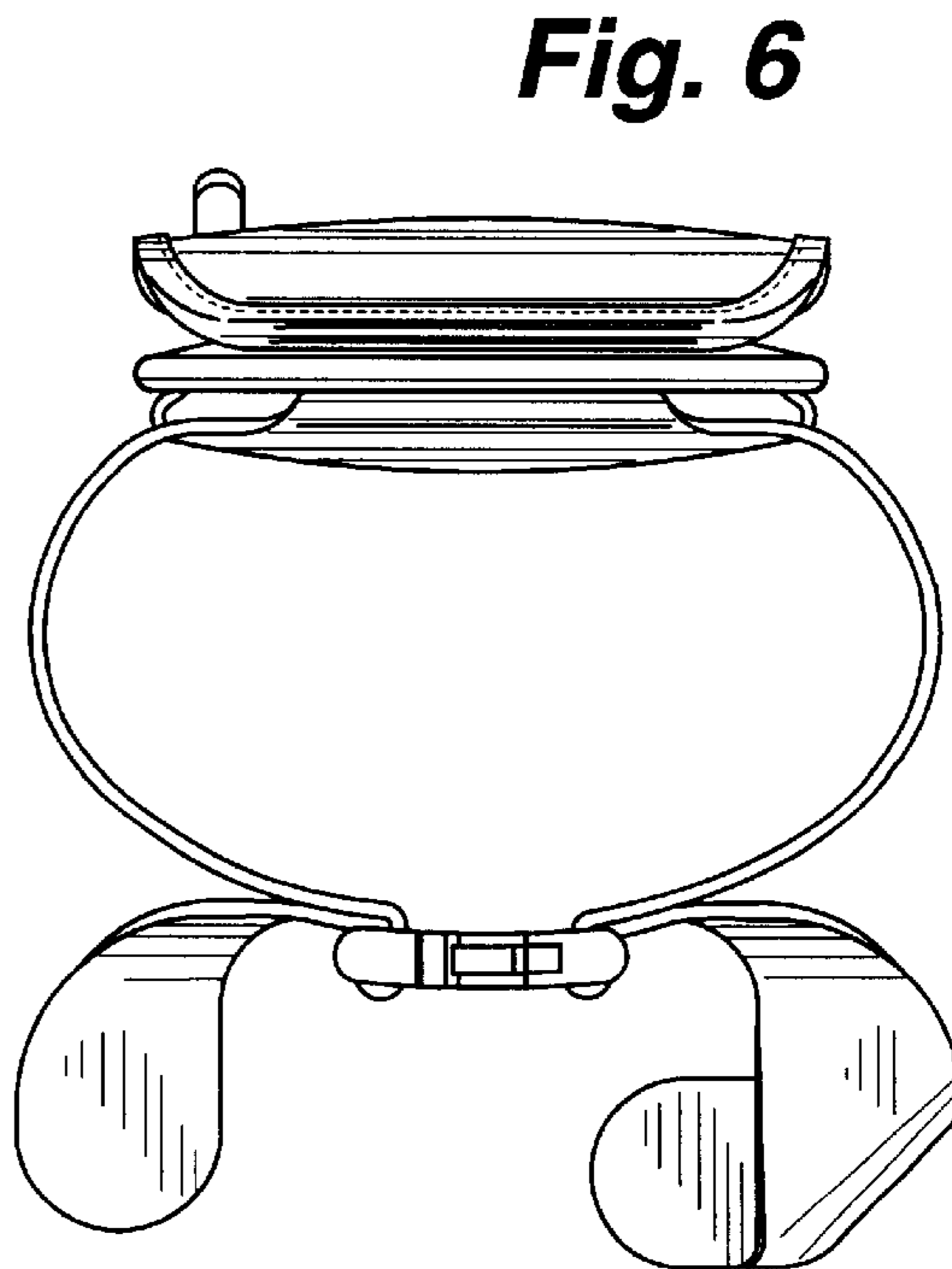


Fig. 6

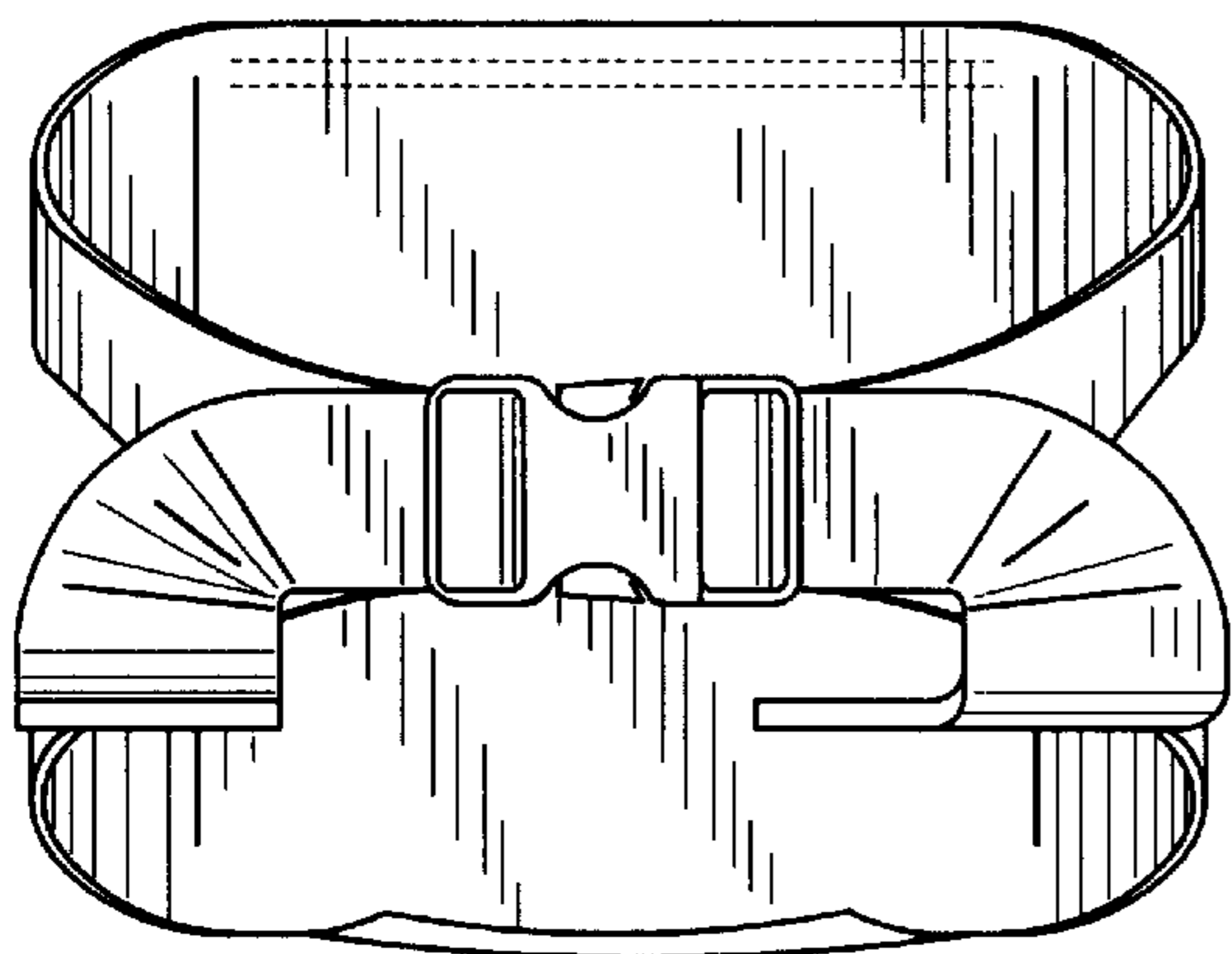


Fig. 7

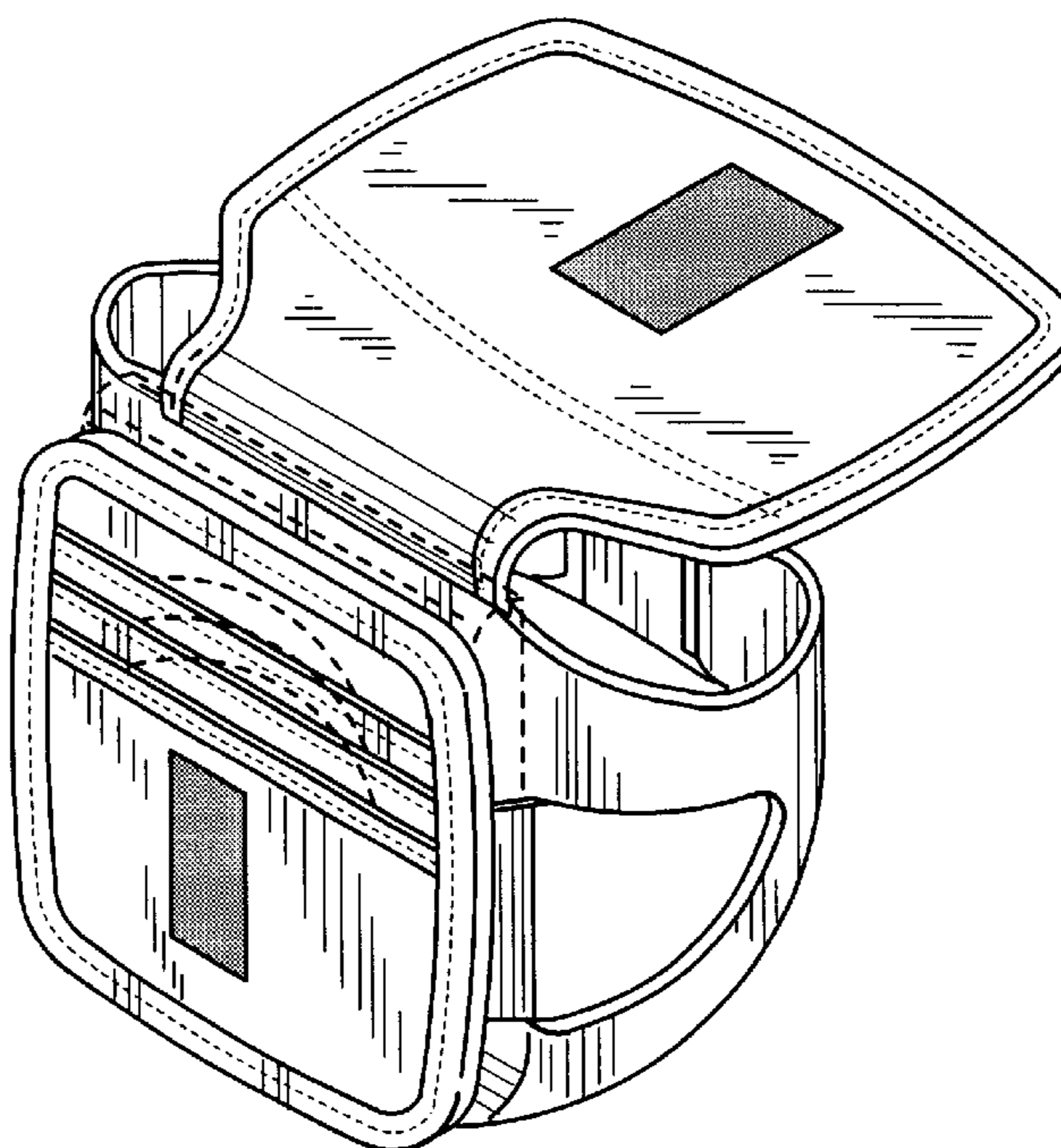


Fig. 8