



US00D465077S

(12) **United States Design Patent**
Berke et al.

(10) **Patent No.:** **US D465,077 S**

(45) **Date of Patent:** **** Oct. 29, 2002**

(54) **BAG CART**

(75) Inventors: **Joseph J. Berke**, 3248 Interlaken, West Bloomfield, MI (US) 48323; **Charles T. Michael**, Troy, MI (US)

(73) Assignee: **Joseph J. Berke**, West Bloomfield, MI (US)

(**) Term: **14 Years**

(21) Appl. No.: **29/148,098**

(22) Filed: **Sep. 17, 2001**

(51) **LOC (7) Cl.** **12-02**

(52) **U.S. Cl.** **D34/24; D34/5**

(58) **Field of Search** D34/12-27, 1, D34/5, 6; 280/47.28, 47.24; 248/96-99, 129

(56) **References Cited**

U.S. PATENT DOCUMENTS

3,817,448	A	*	6/1974	Schneider	248/99
4,202,521	A	*	5/1980	Harding	248/99
4,917,393	A	*	4/1990	Rogers	280/47.28
5,947,492	A	*	9/1999	Hallberg, Jr.	280/47.24

* cited by examiner

Primary Examiner—Kay H. Chin

(74) *Attorney, Agent, or Firm*—Alex Rhodes

(57) **CLAIM**

The ornamental design for a bag cart, as shown and described.

DESCRIPTION

FIG. 1 is a top plan view of a bag cart, showing our new design;

FIG. 2 is a front elevational view of the bag cart;

FIG. 3 is a left side elevational view of the bag cart;

FIG. 4 is a right side elevational view of the bag cart;

FIG. 5 is a bottom view of the bag cart;

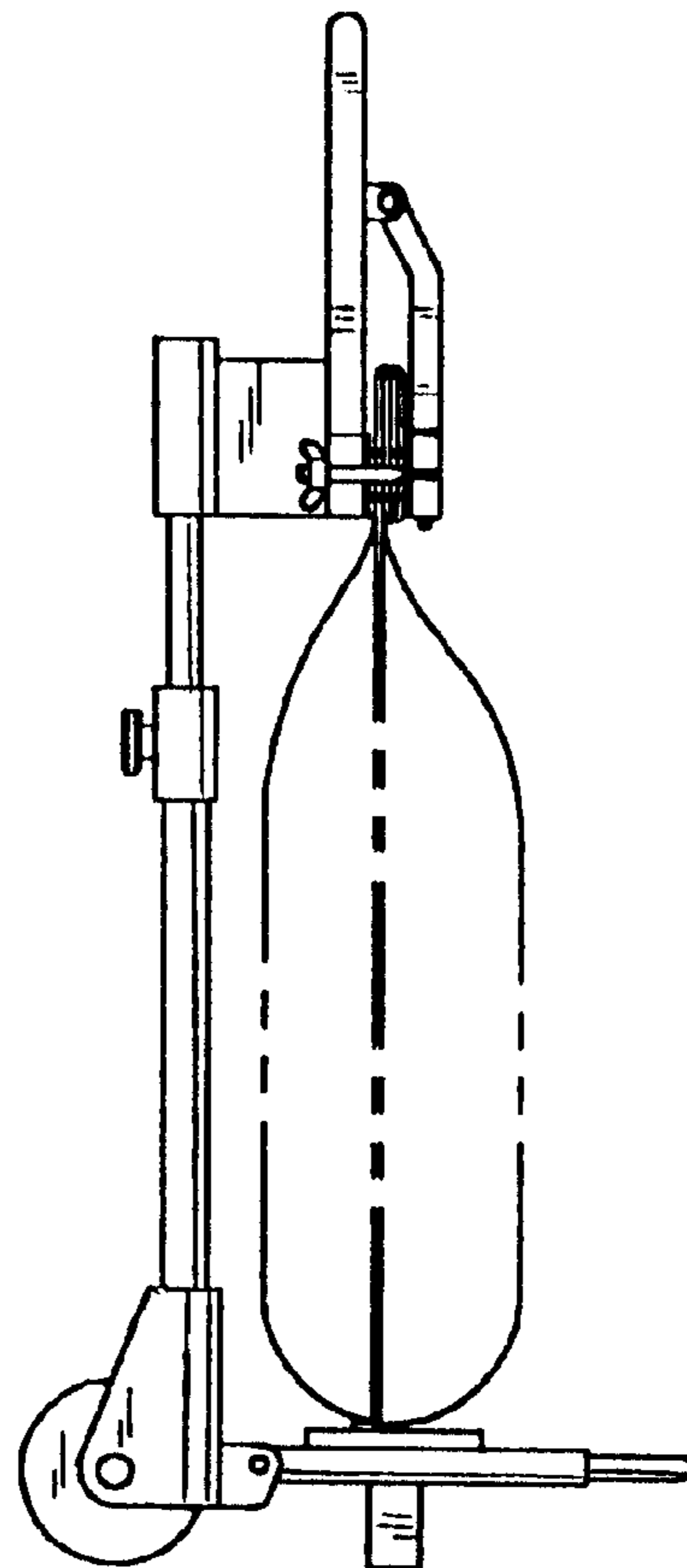
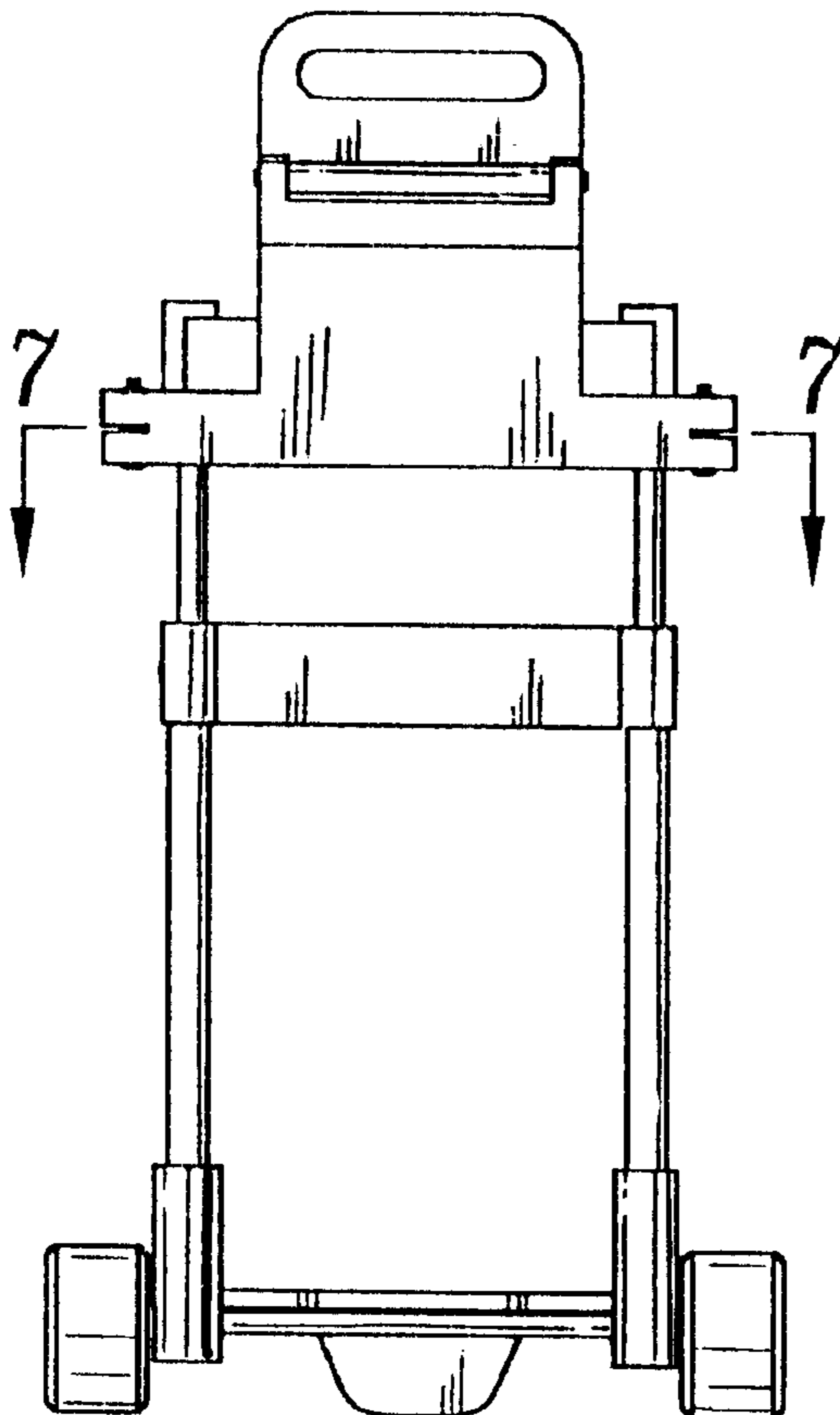
FIG. 6 is a rear elevational view of the bag cart;

FIG. 7 is an enlarged cross-sectional view taken on the line 7—7 in FIG. 2;

FIG. 8 is a front elevational view of the bag cart with a bag shown in phantom; and,

FIG. 9 is a right side elevational view of the bag cart with a bag shown in phantom.

1 Claim, 2 Drawing Sheets



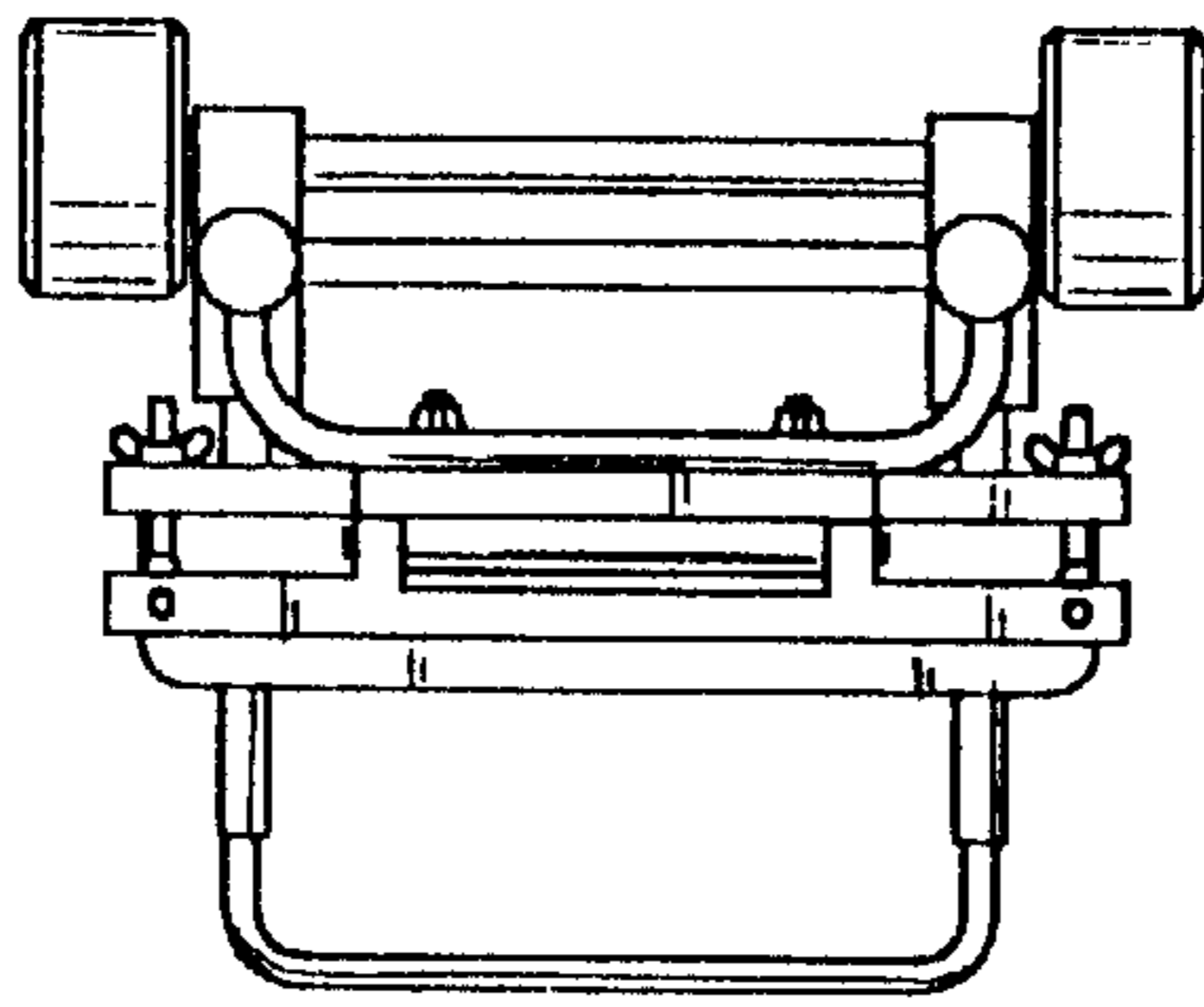


FIG. 1

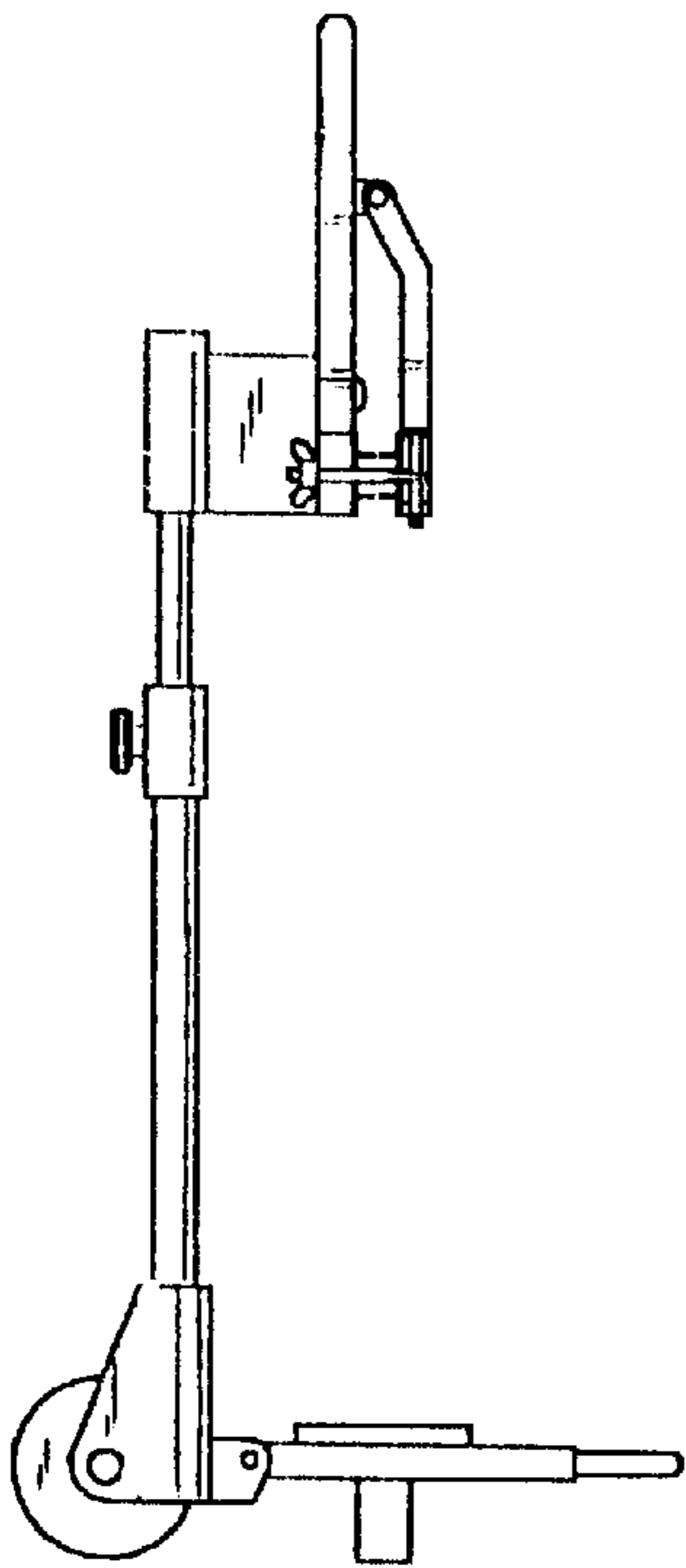


FIG. 4

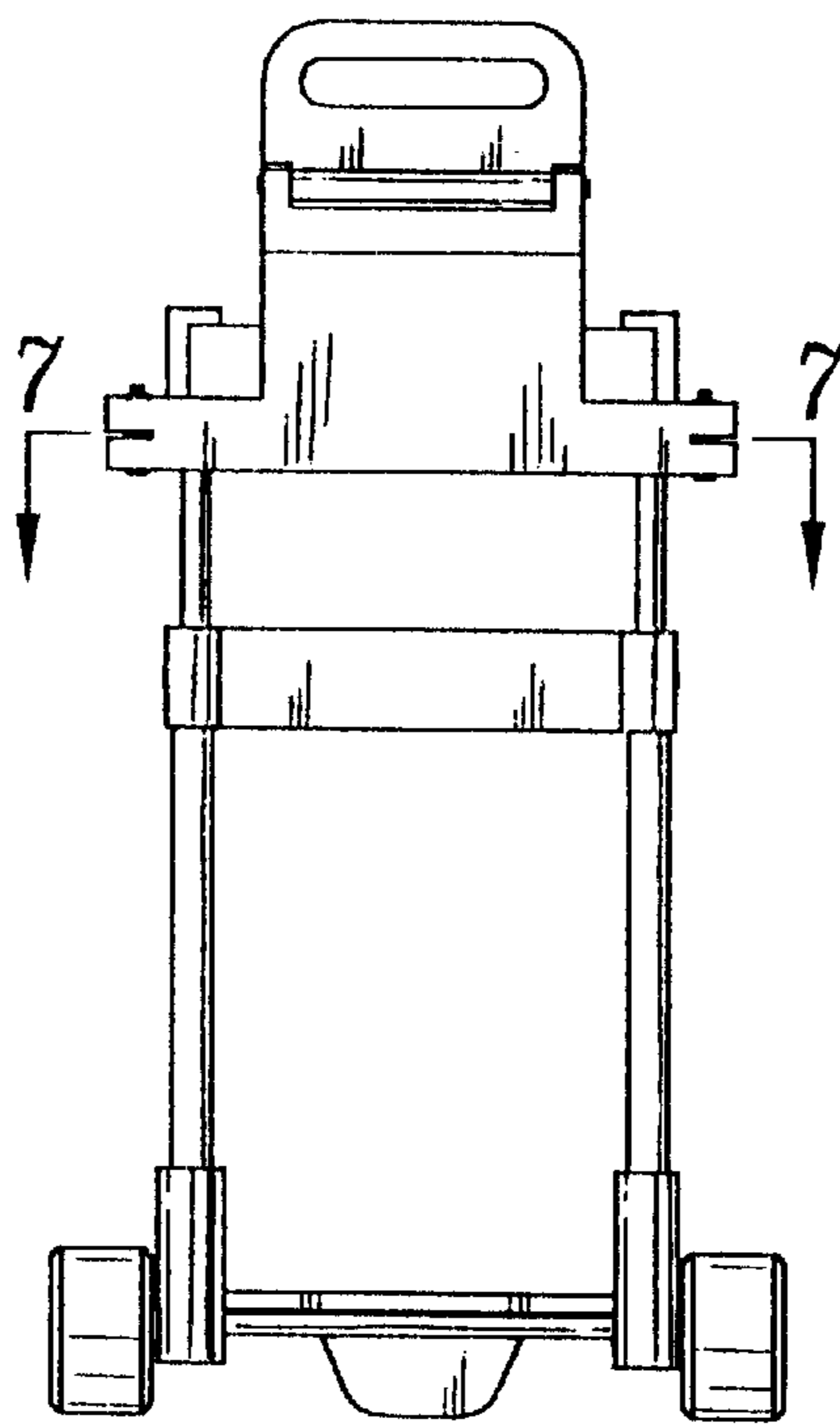


FIG. 2

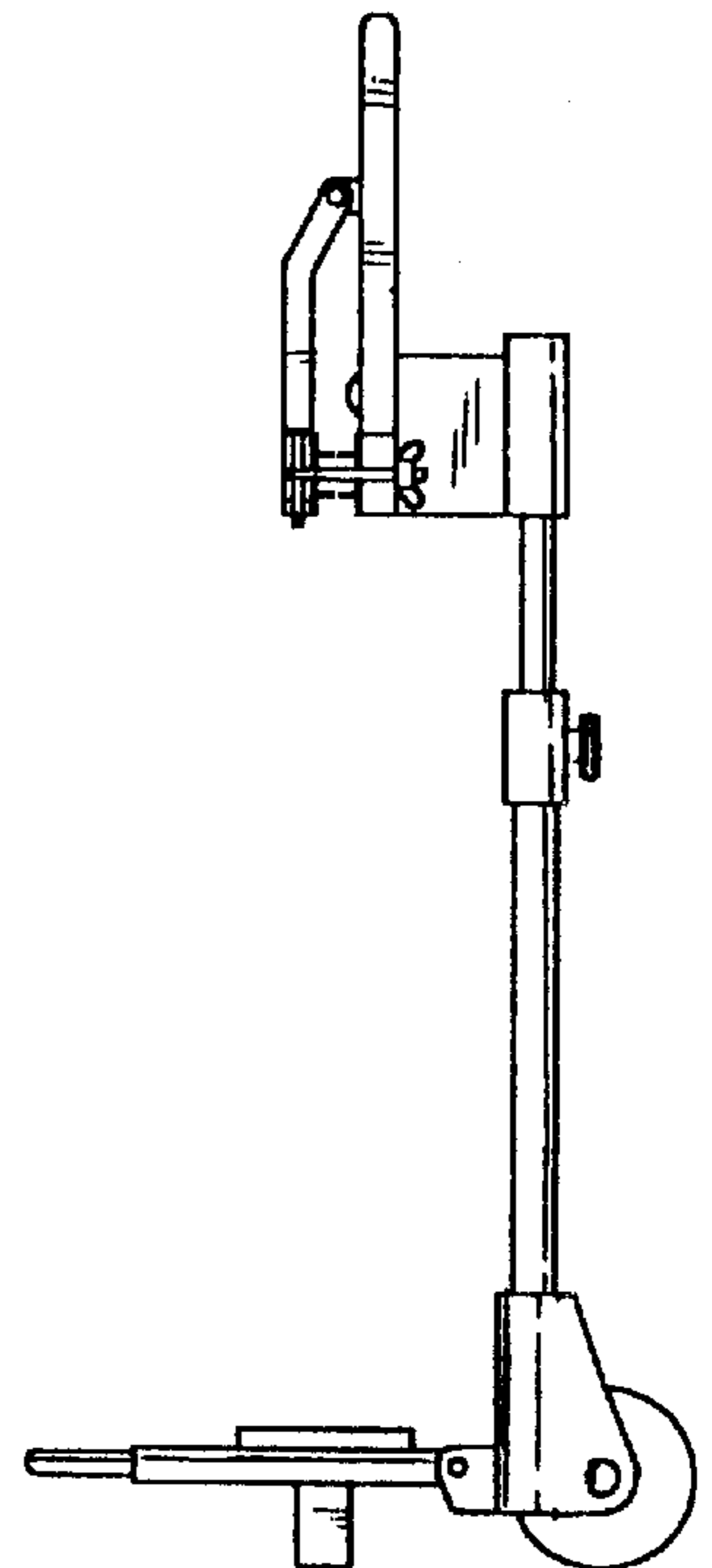


FIG. 3

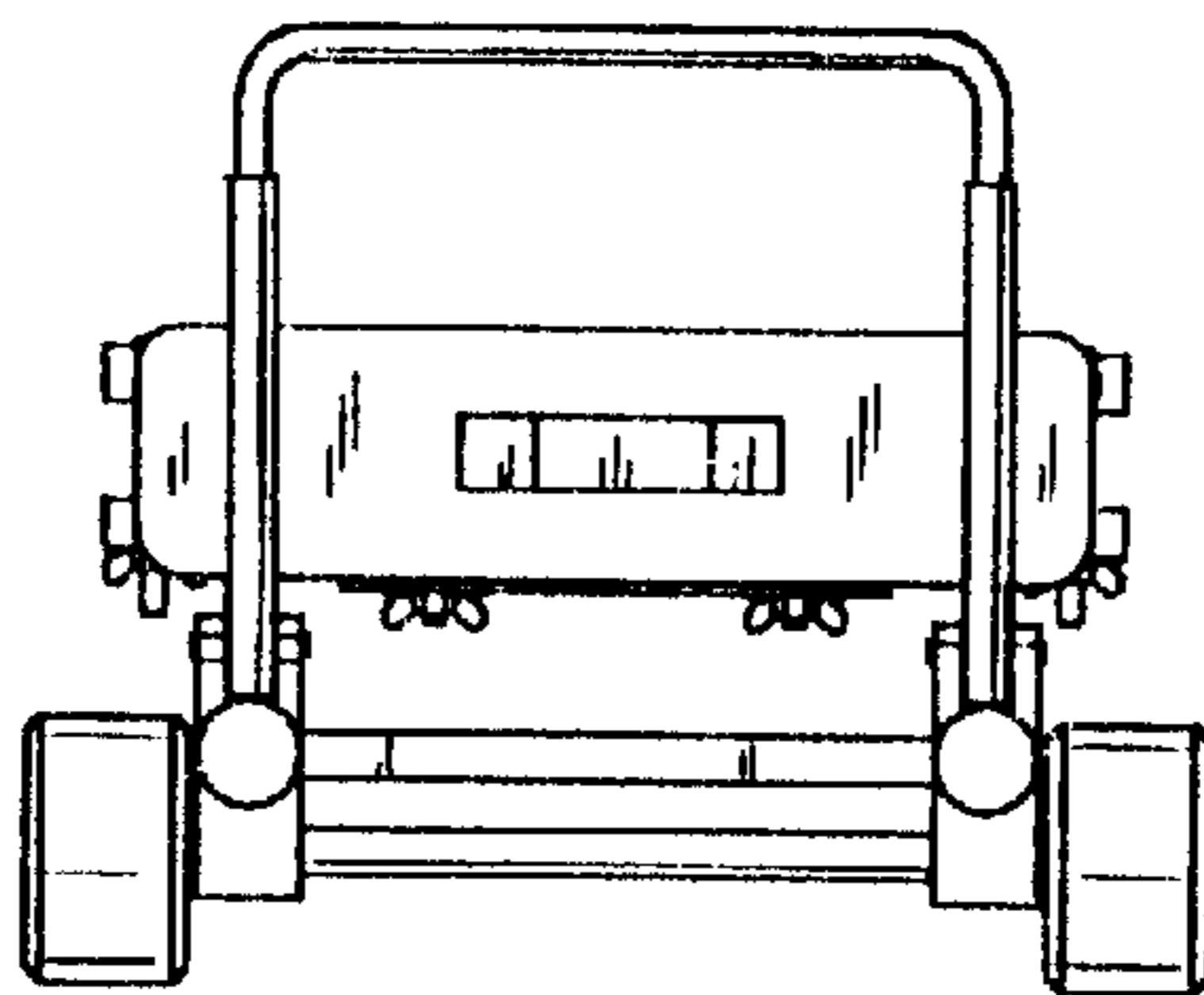


FIG. 5

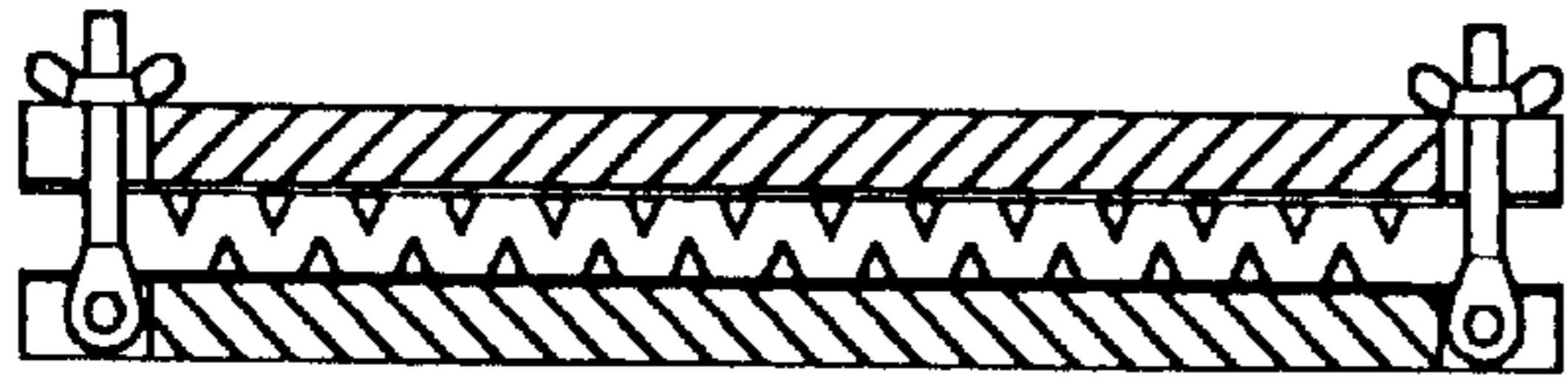


FIG. 7

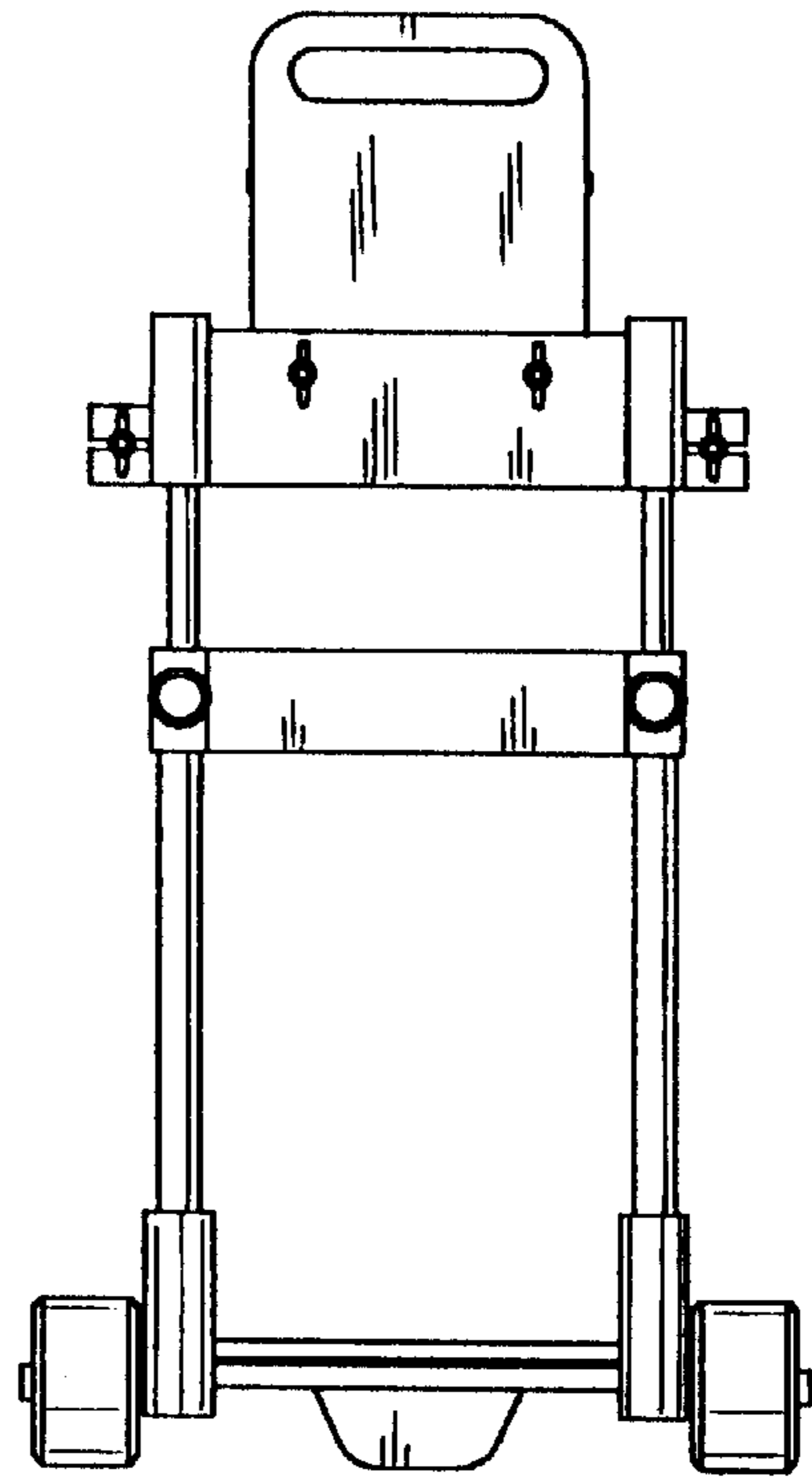


FIG. 6

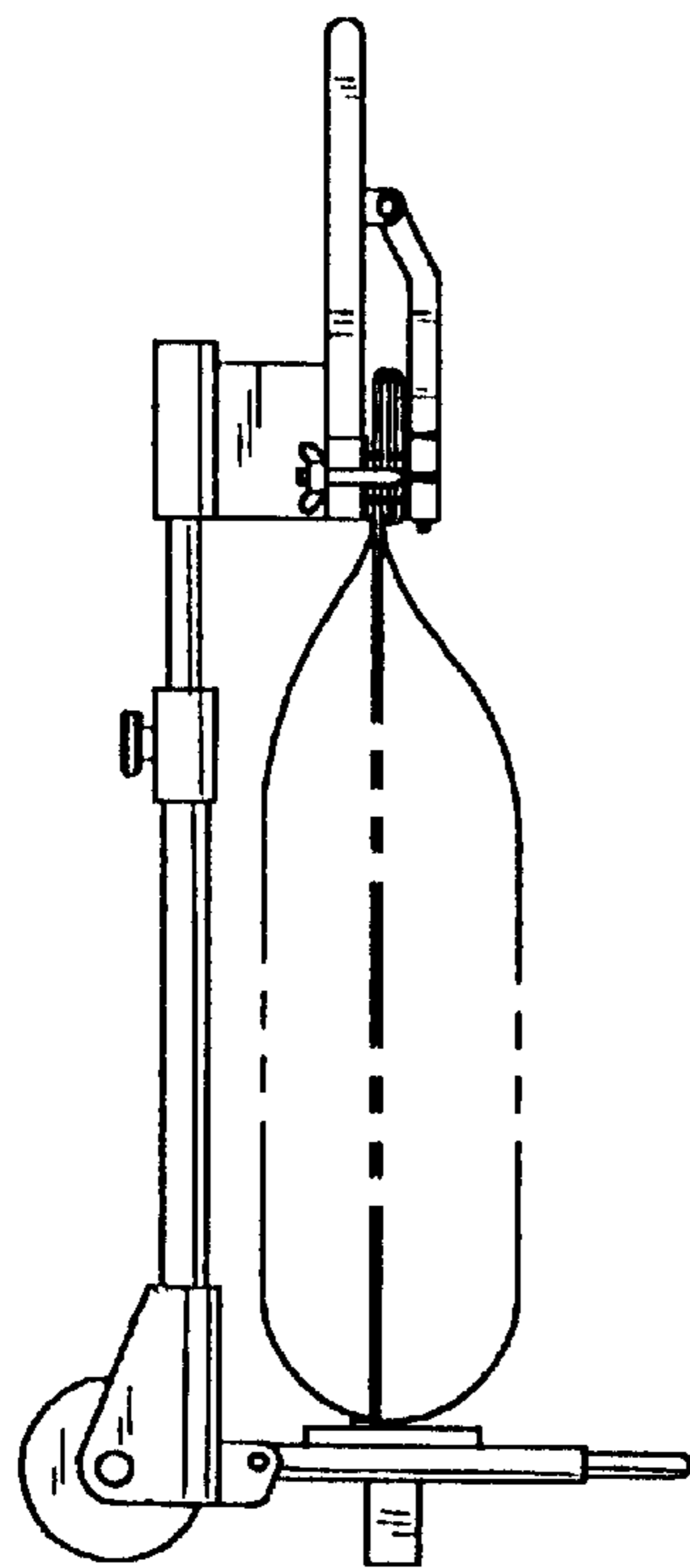


FIG. 9

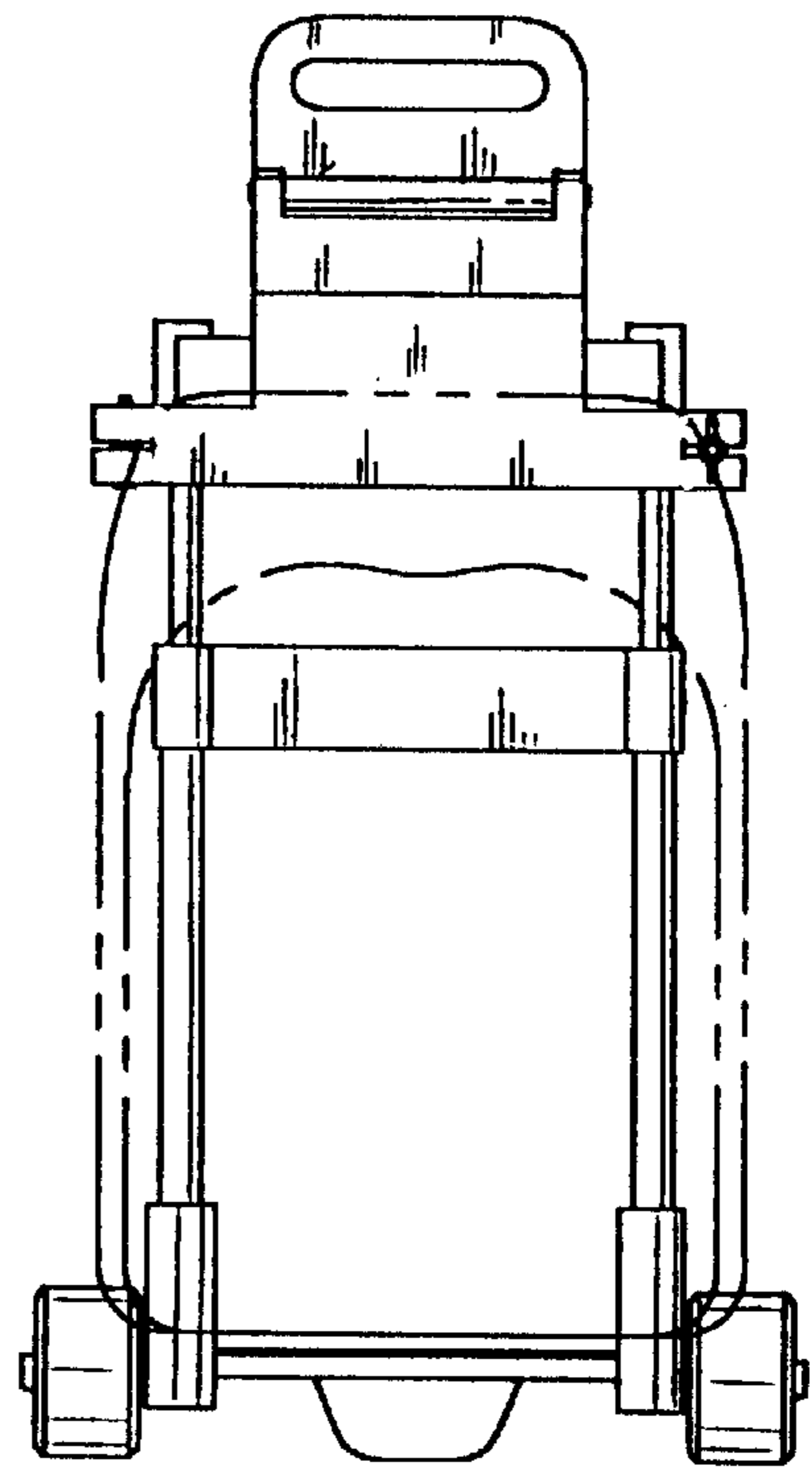


FIG. 8