



US00D465076S

(12) **United States Design Patent**
Zorzo

(10) **Patent No.:** **US D465,076 S**

(45) **Date of Patent:** **** Oct. 29, 2002**

(54) **DEVICE FOR WRINGING A MOP**

(75) Inventor: **Bruno Zorzo**, Onara di Tombolo-PD (IT)

(73) Assignee: **L&M Services B.V.**, Amsterdam (NL)

(**) Term: **14 Years**

(21) Appl. No.: **29/137,774**

(22) Filed: **Feb. 27, 2001**

(30) **Foreign Application Priority Data**

Sep. 8, 2000 (XH) DM/053 389

(51) **LOC (7) Cl.** **07-07**

(52) **U.S. Cl.** **D32/53**

(58) **Field of Search** 15/260, 261, 262, 15/263; D32/40, 35, 42, 45, 54, 53

(56) **References Cited**

U.S. PATENT DOCUMENTS

- 5,175,904 A * 1/1993 Pagani 15/262
- 6,128,803 A * 10/2000 Dickinson et al. 15/261
- 6,283,170 B1 * 9/2001 Robinson 15/260

* cited by examiner

Primary Examiner—Jennifer Rivard

(74) *Attorney, Agent, or Firm*—Thomas S. Baker, Jr.

(57) **CLAIM**

The ornamental design for a device for wringing a mop, as shown and described.

DESCRIPTION

FIG. 1 is a right side view of the device for wringing a mop of the instant invention;
 FIG. 2 is a left side view of the device for wringing a mop of the instant invention;
 FIG. 3 is a perspective view showing the front and right side of the device for wringing a mop of the instant invention;
 FIG. 4 is a perspective view showing the front and left side of the device for wringing a mop of the instant invention;
 FIG. 5 is a front view of the device for wringing a mop of the instant invention;
 FIG. 6 is a top view of the device for wringing a mop of the instant invention;
 FIG. 7 is a bottom view of the device for wringing a mop of the instant invention;
 FIG. 8 is a perspective view showing the rear and right side of the device for wringing a mop of the instant invention;
 FIG. 9 is a rear view of the device for wringing a mop of the instant invention; and,
 FIG. 10 is a perspective view illustrating the rear and left side of the device for wringing a mop of the present invention.

1 Claim, 10 Drawing Sheets

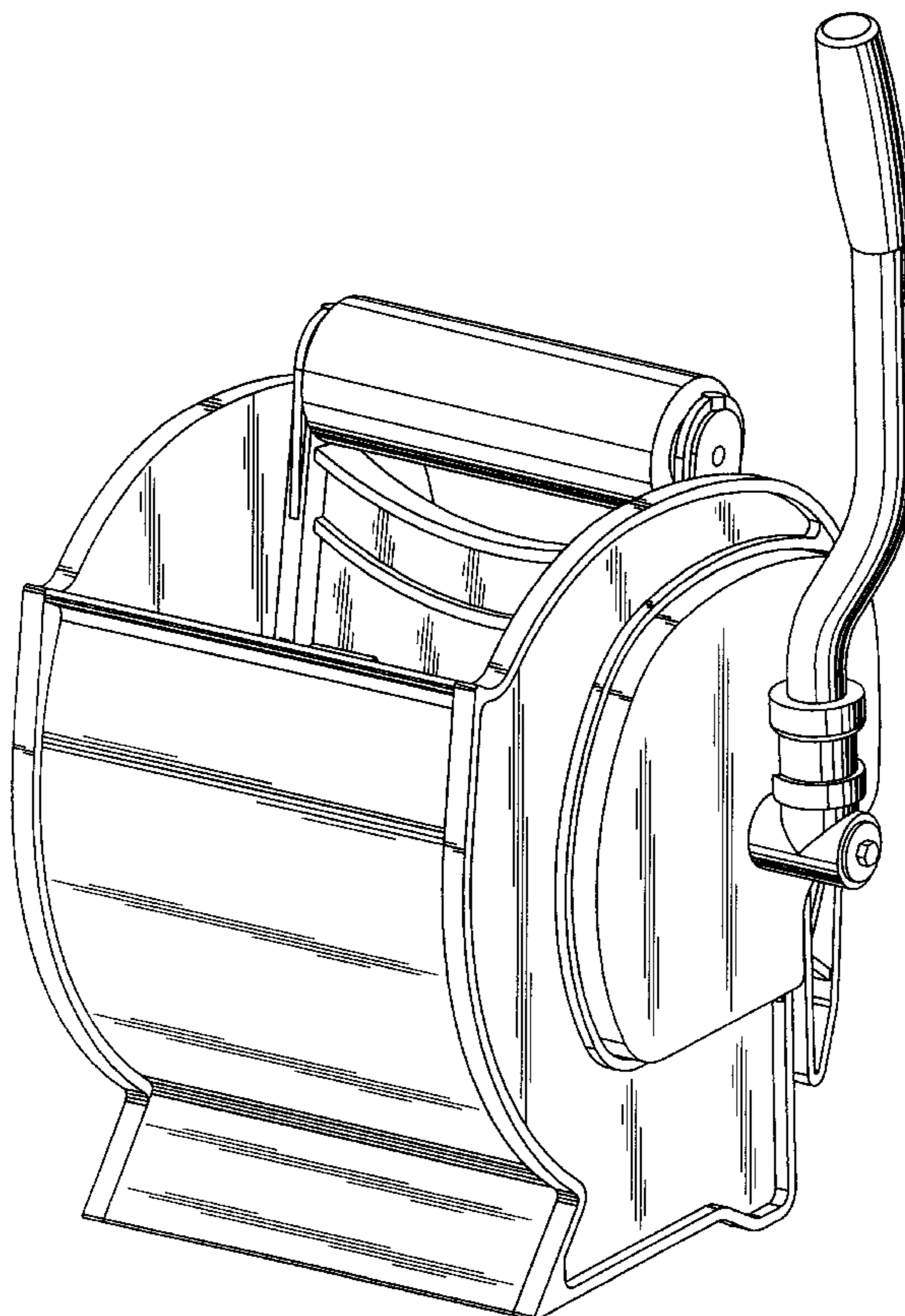
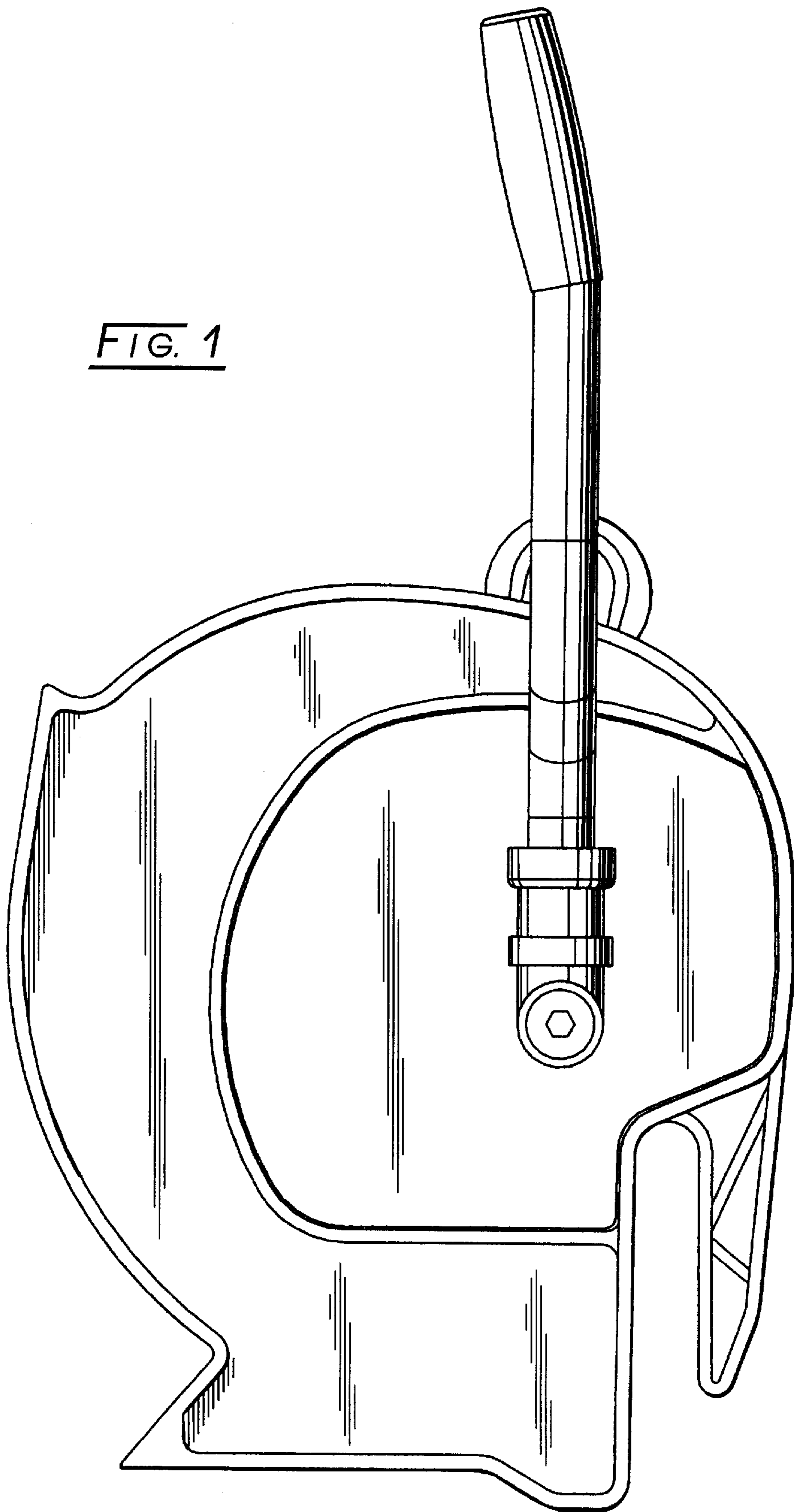


FIG. 1



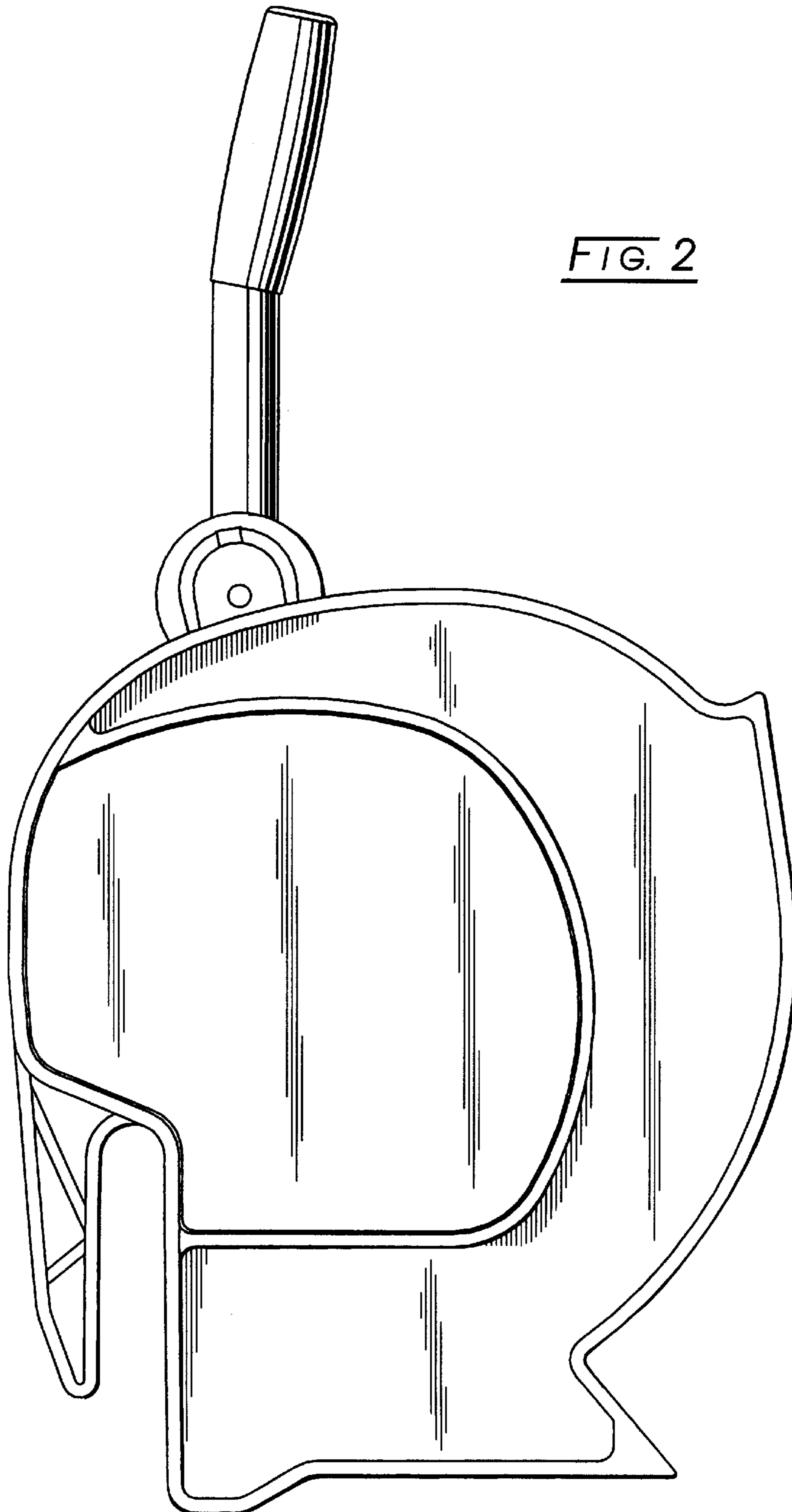


FIG. 2

FIG. 3

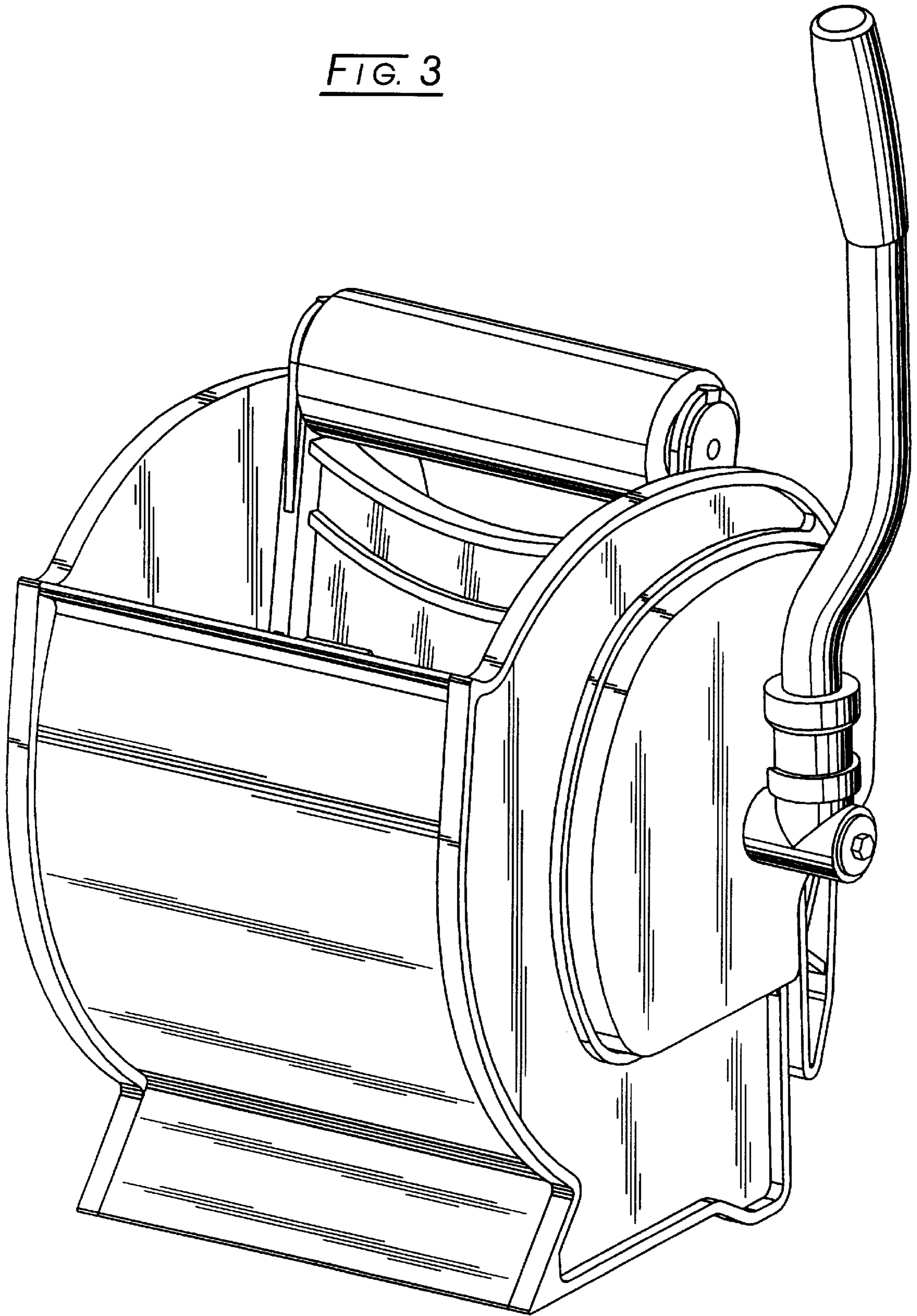


FIG. 4

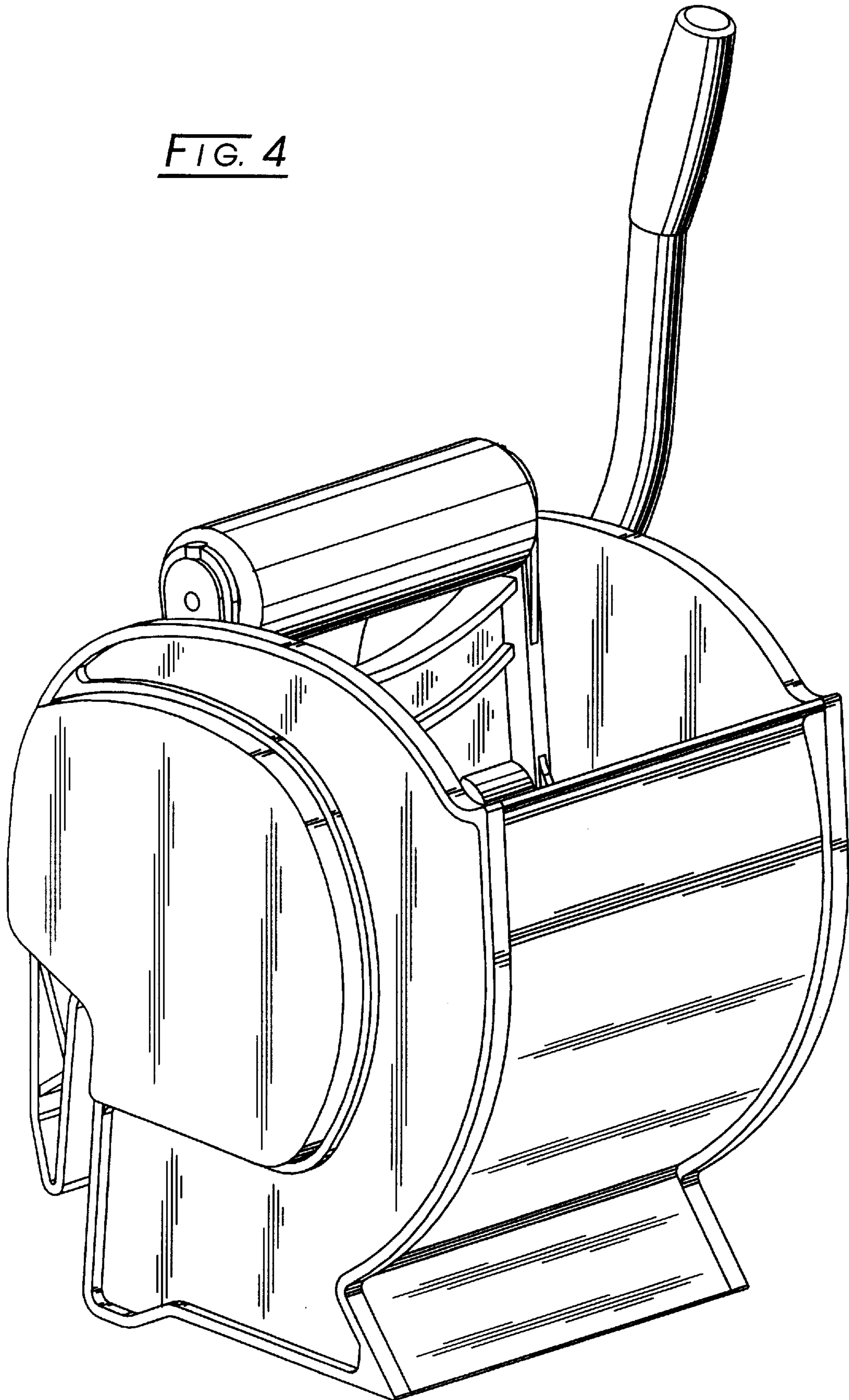


FIG. 5

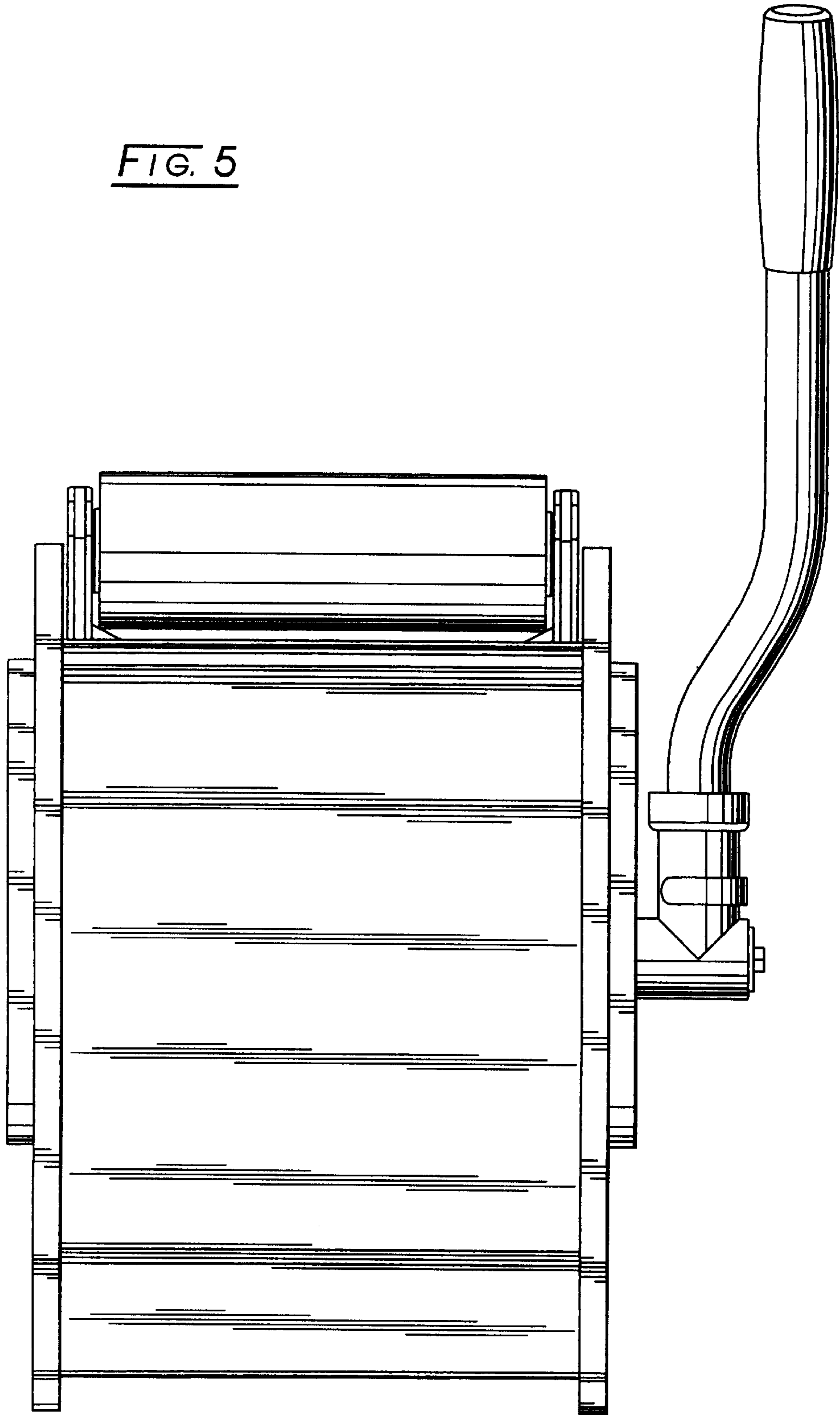


FIG. 6

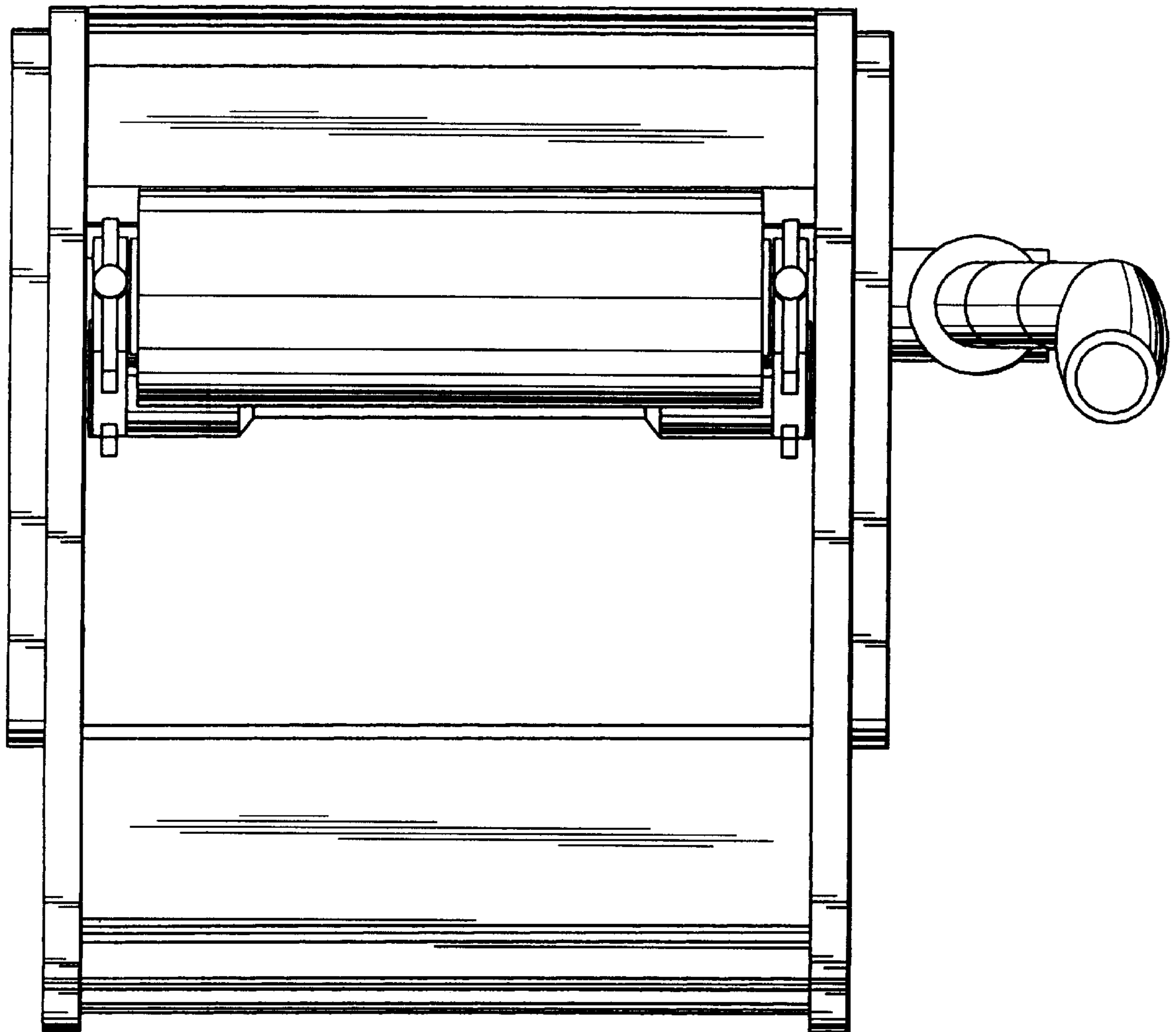


FIG. 7

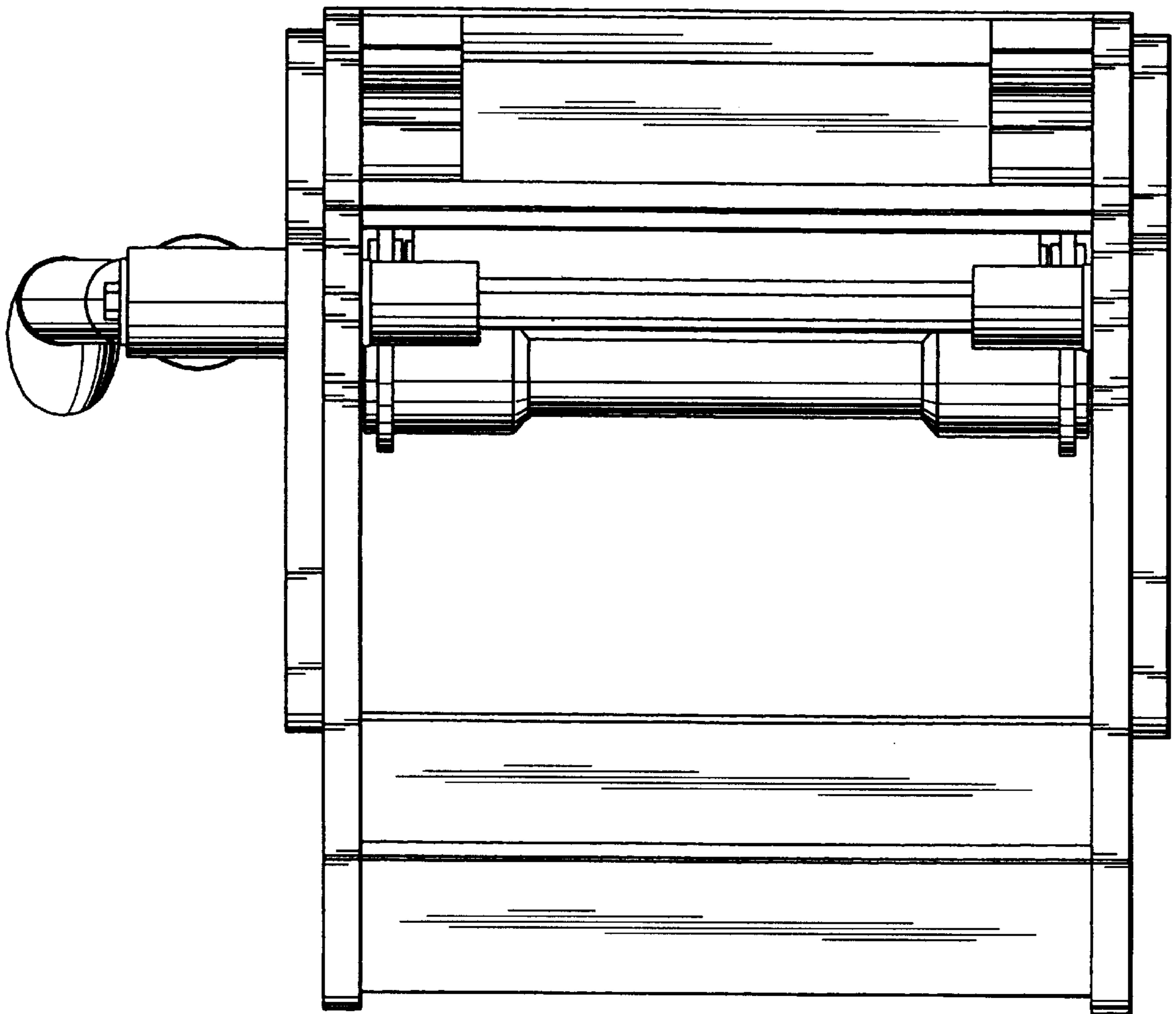


FIG. 8

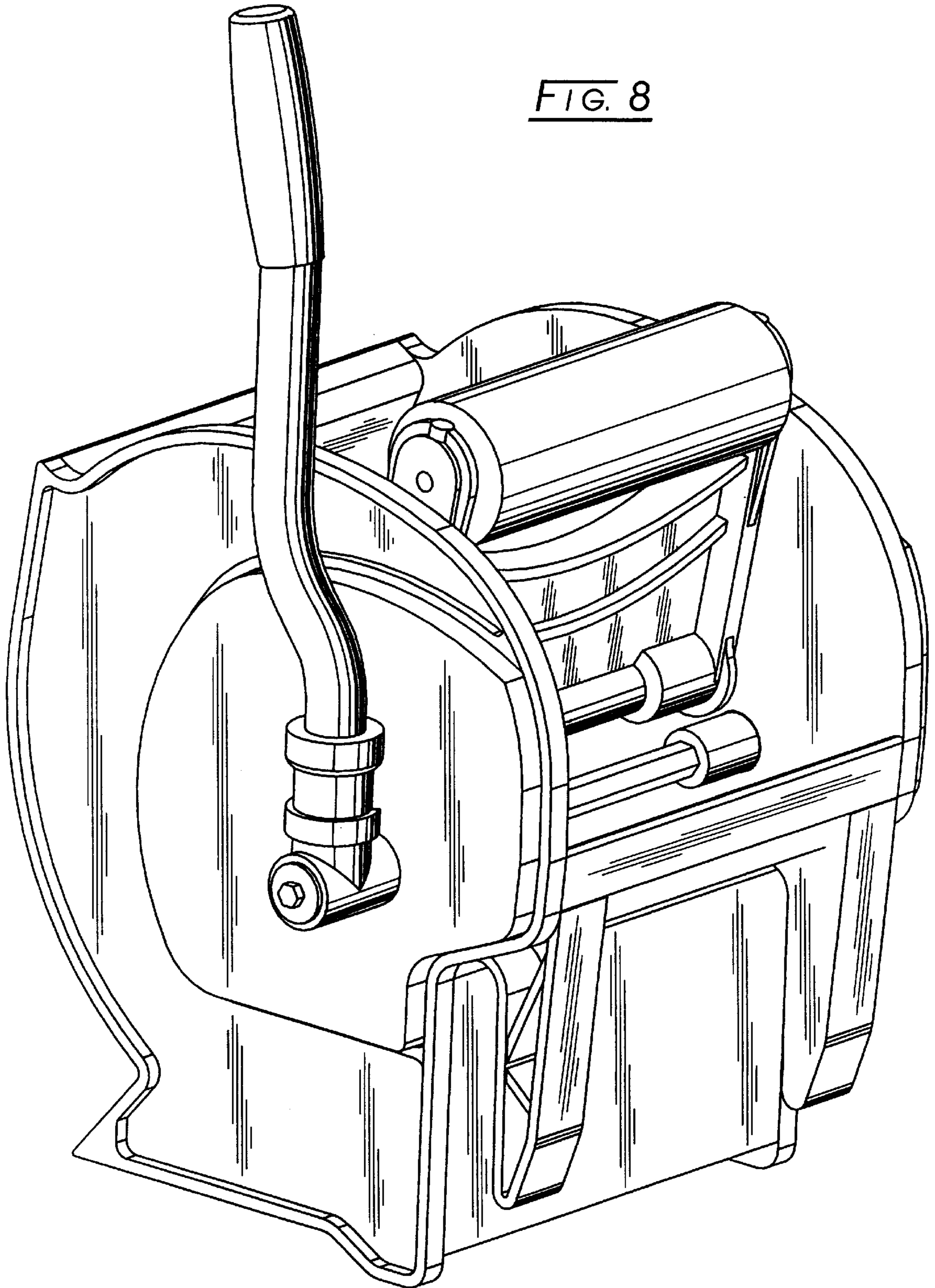


FIG. 9

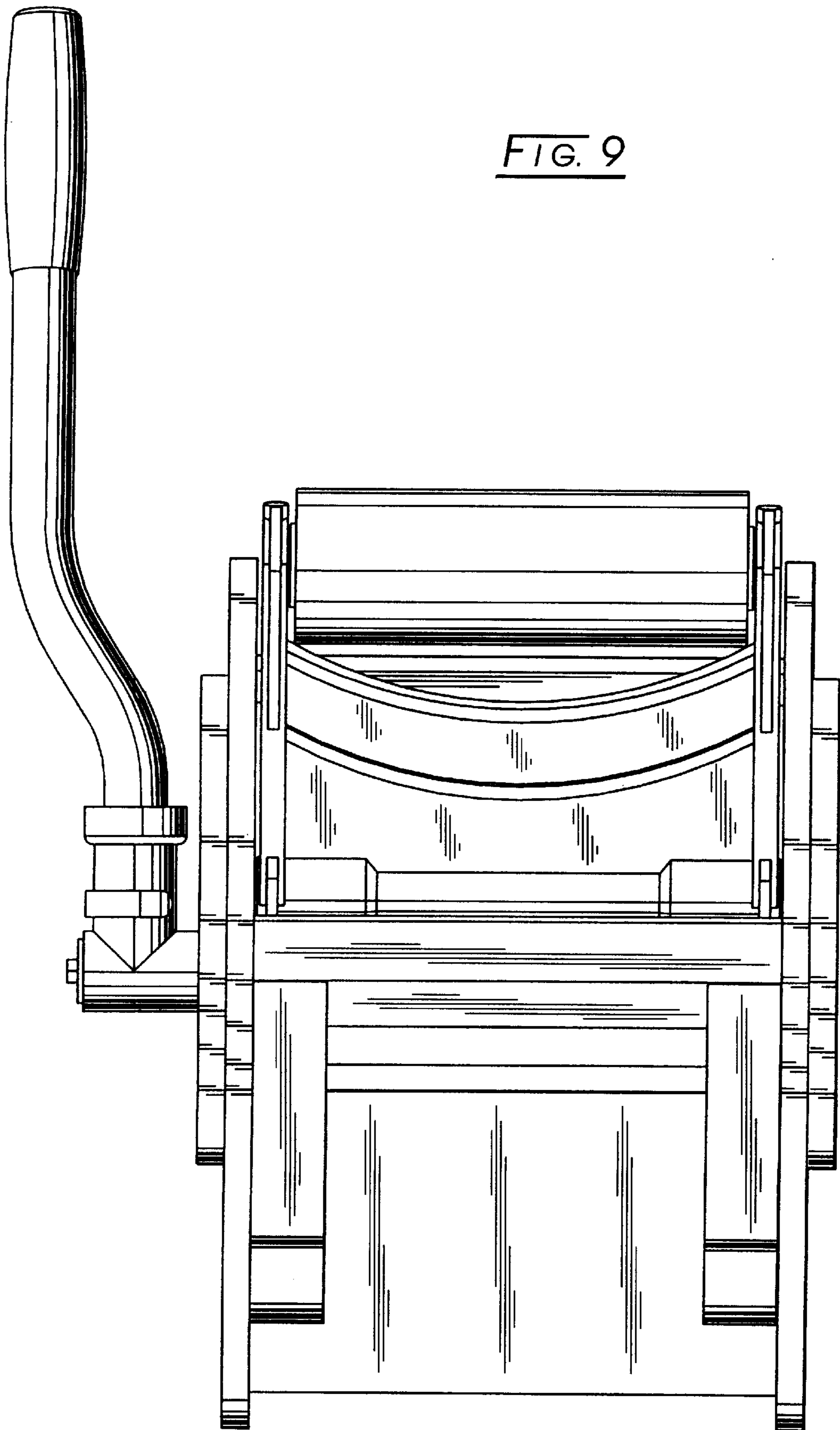


FIG. 10

