



US00D465075S

(12) **United States Design Patent**
Wright et al.

(10) **Patent No.:** **US D465,075 S**

(45) **Date of Patent:** **** Oct. 29, 2002**

(54) **VACUUM CLEANER UPPER PORTION**

D398,098 S * 9/1998 Mehaffey et al. D32/22

D418,265 S * 12/1999 Farone et al. D32/22

6,003,196 A * 12/1999 Wright et al. 15/353

(75) Inventors: **Michael F. Wright**, Stow, OH (US);
Charles J. Thur, Broadview Hts., OH (US);
Brett Latimer, Mentor, OH (US);
Paul D. Stephens, Cleveland Hts., OH (US);
Craig Saunders, Rocky River, OH (US);
Jeffrey M. Kalman, Cleveland Hts., OH (US);
Richard C. Farone, Willoughby, OH (US)

* cited by examiner

Primary Examiner—Ruth McInroy
(74) *Attorney, Agent, or Firm*—Fay, Sharpe, Fagan,
Minnich & McKee, LLP

(73) Assignee: **Royal Appliance Mfg. Co.**,
Glenwillow, OH (US)

(57) **CLAIM**

The ornamental design for a vacuum cleaner upper portion,
as shown and described.

(**) Term: **14 Years**

DESCRIPTION

(21) Appl. No.: **29/081,859**

FIG. 1 is a perspective view of a vacuum cleaner upper portion showing our new design;

(22) Filed: **Jan. 9, 1998**

FIG. 2 is a front elevational view thereof;

(51) **LOC (7) Cl.** **15-05**

FIG. 3 is a right side elevational view thereof;

(52) **U.S. Cl.** **D32/31**

FIG. 4 is a left side elevational view thereof;

(58) **Field of Search** D32/21-22, 31-34;
15/320-321, 323-326, 331-337, 339, 347,
350-352, 353, 361, 377, 412, 413, 415.1,
379

FIG. 5 is a rear elevational view thereof; and,
FIG. 6 is a top plan view thereof.

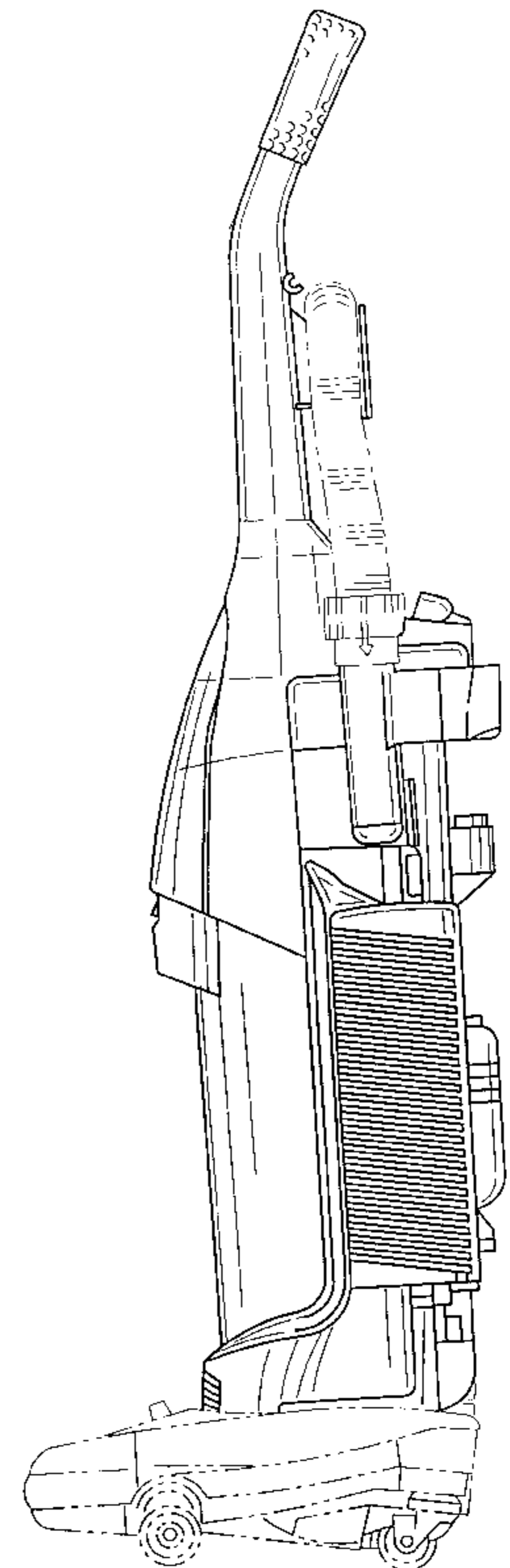
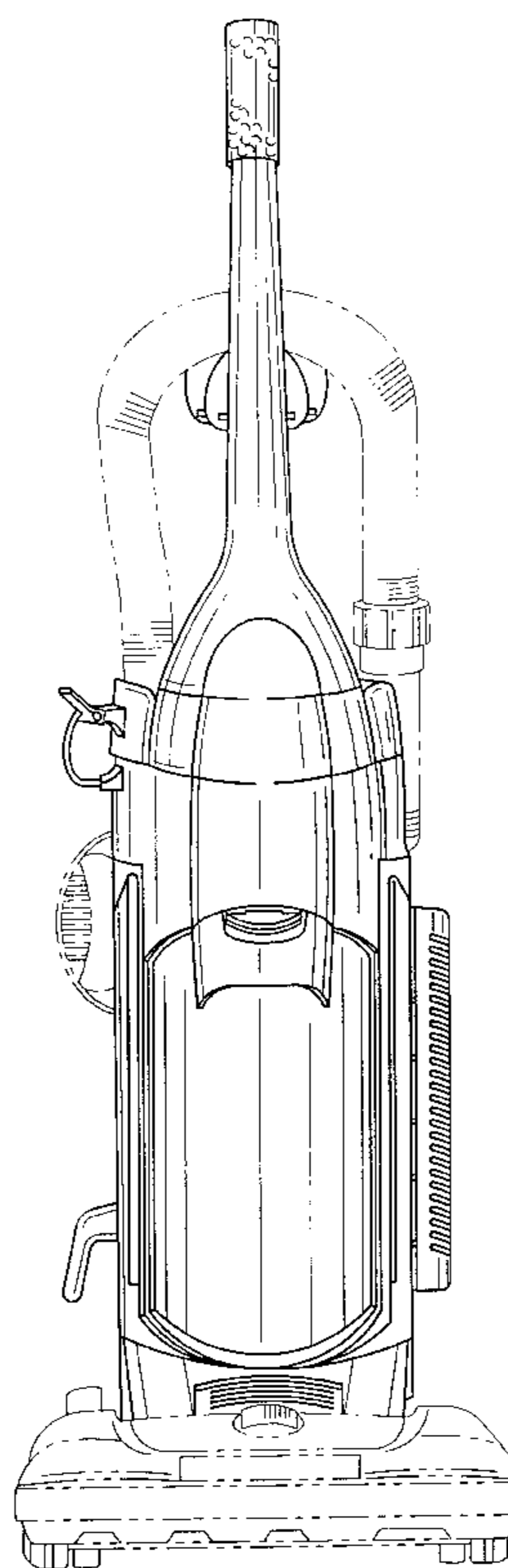
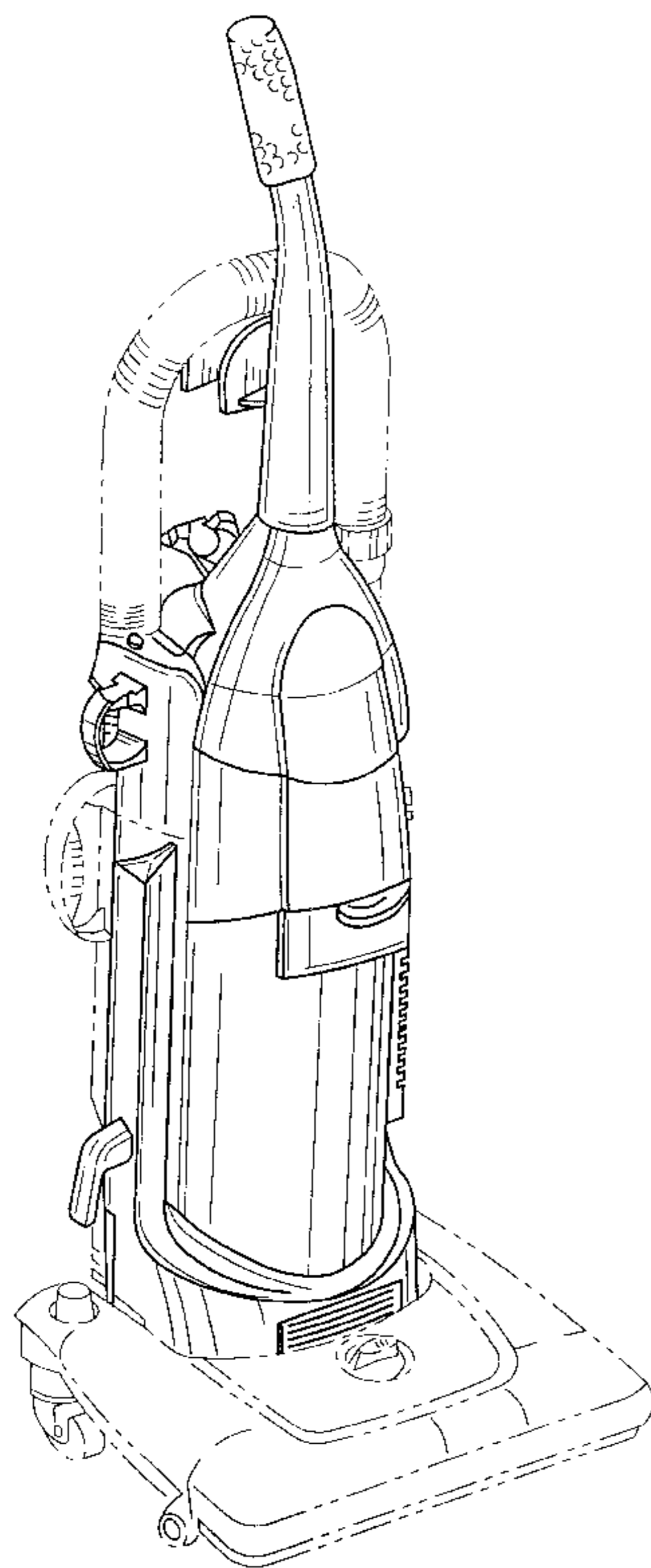
The parts shown in broken lines in all of FIGS. 1-6 are shown for illustrative purposes only and form no part of the claimed design.

(56) **References Cited**

U.S. PATENT DOCUMENTS

D358,913 S * 5/1995 Sugiyama et al. D32/22

1 Claim, 6 Drawing Sheets



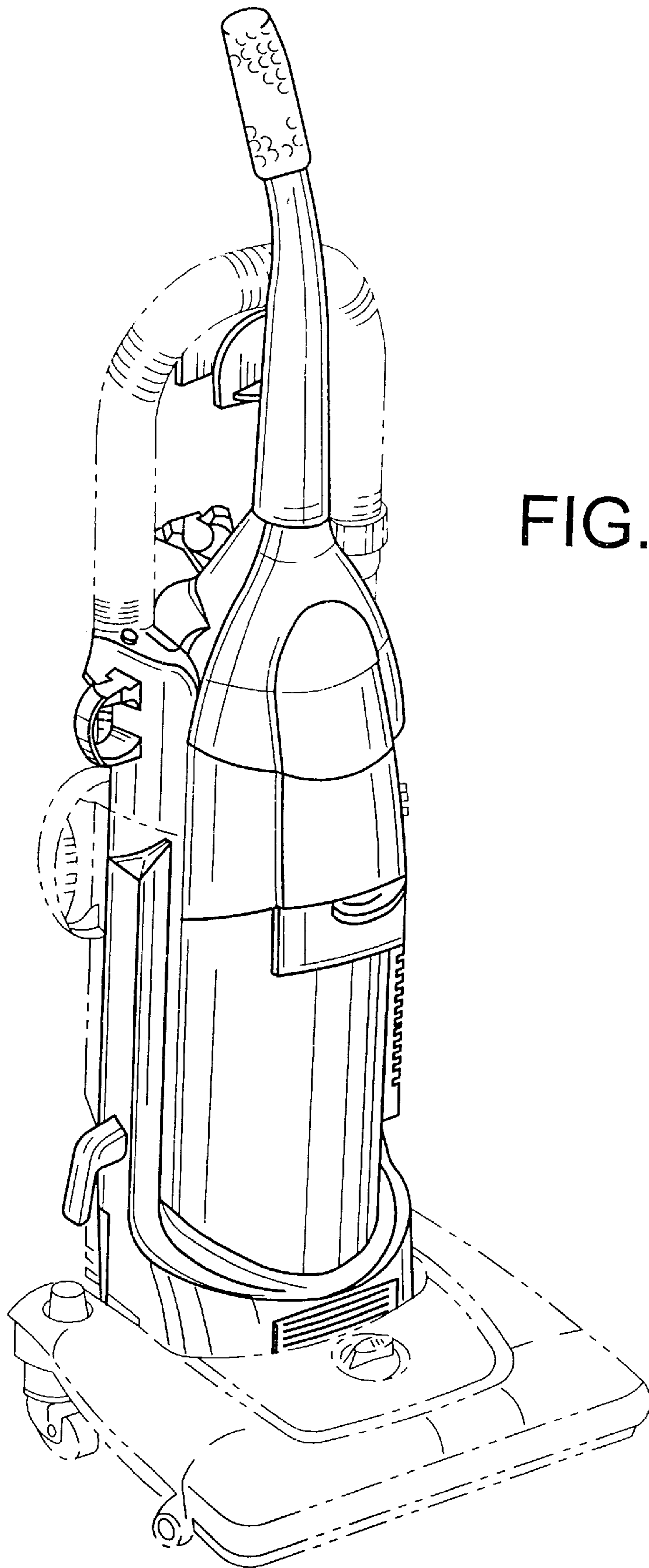


FIG. 1

FIG. 2

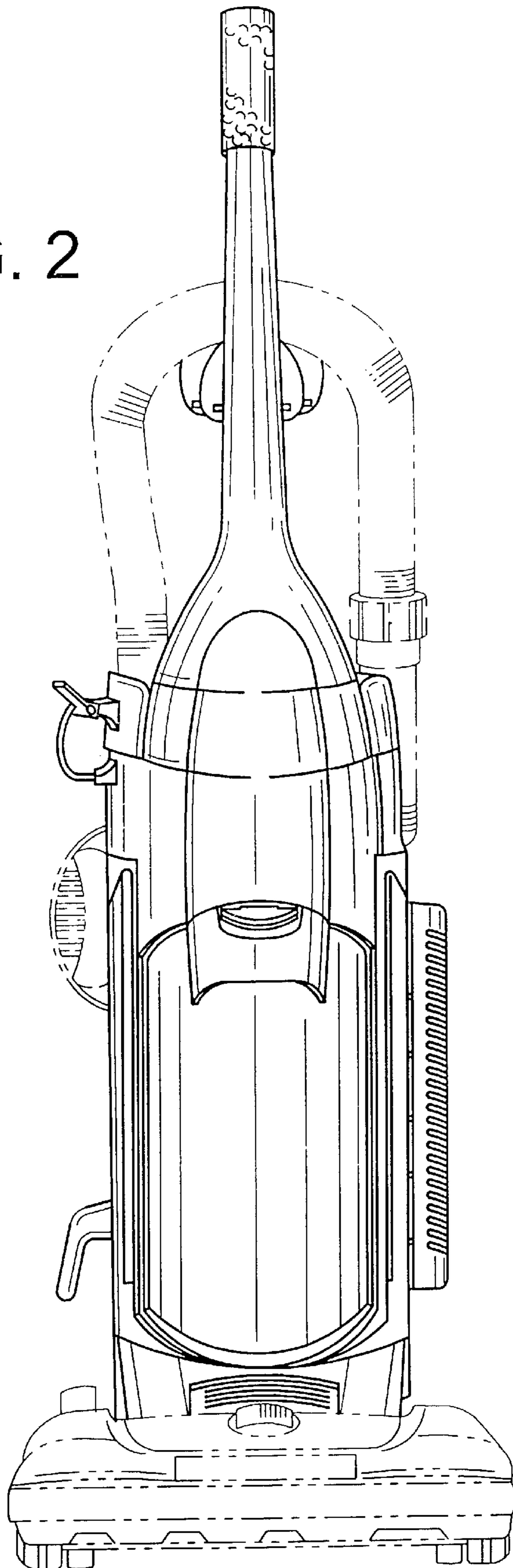


FIG. 3

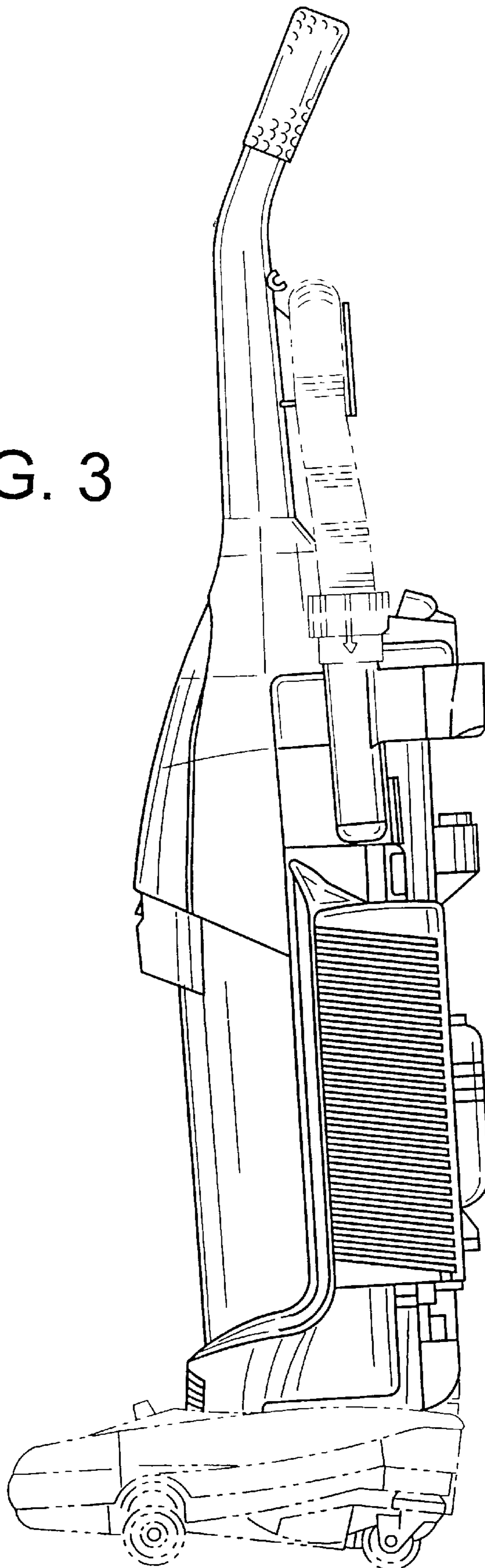


FIG. 4

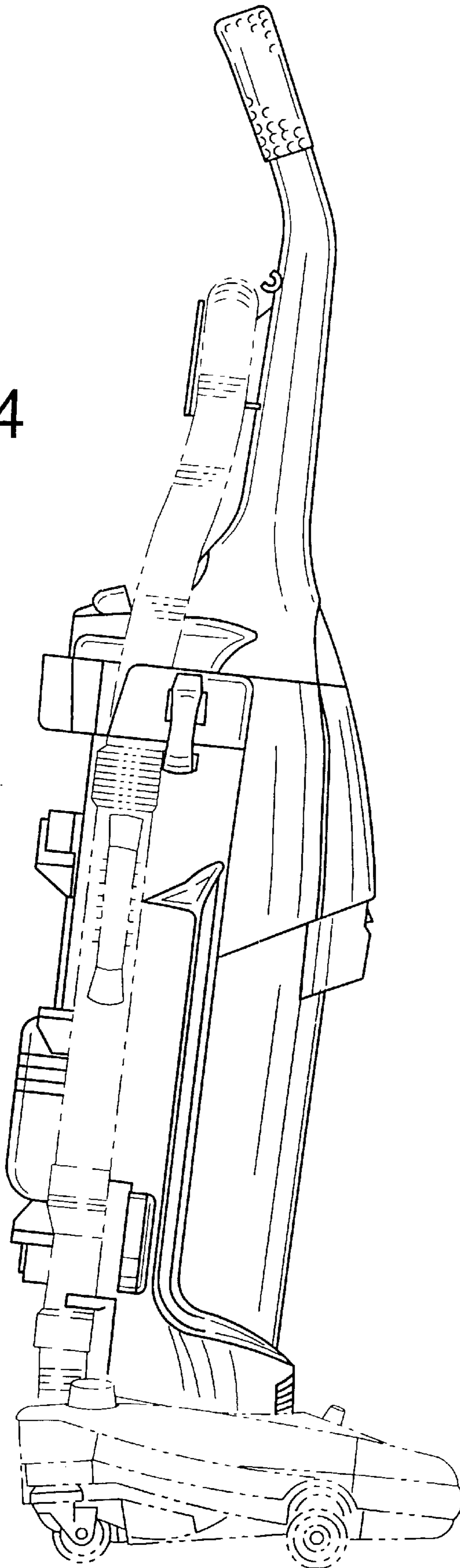
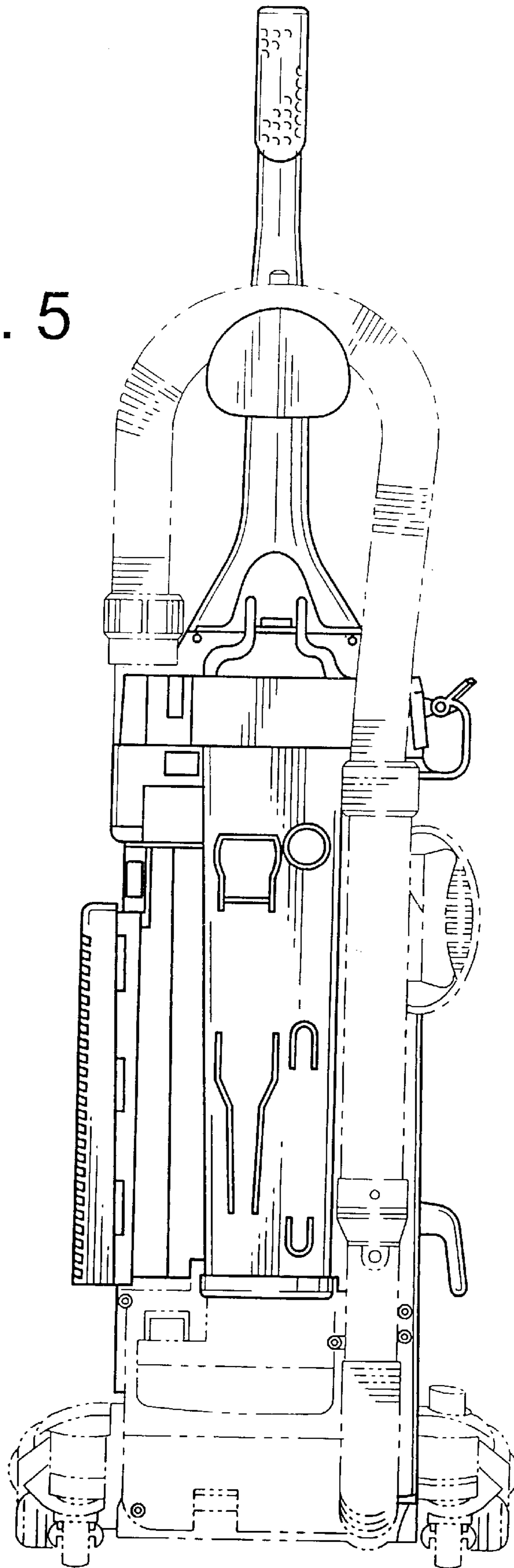


FIG. 5



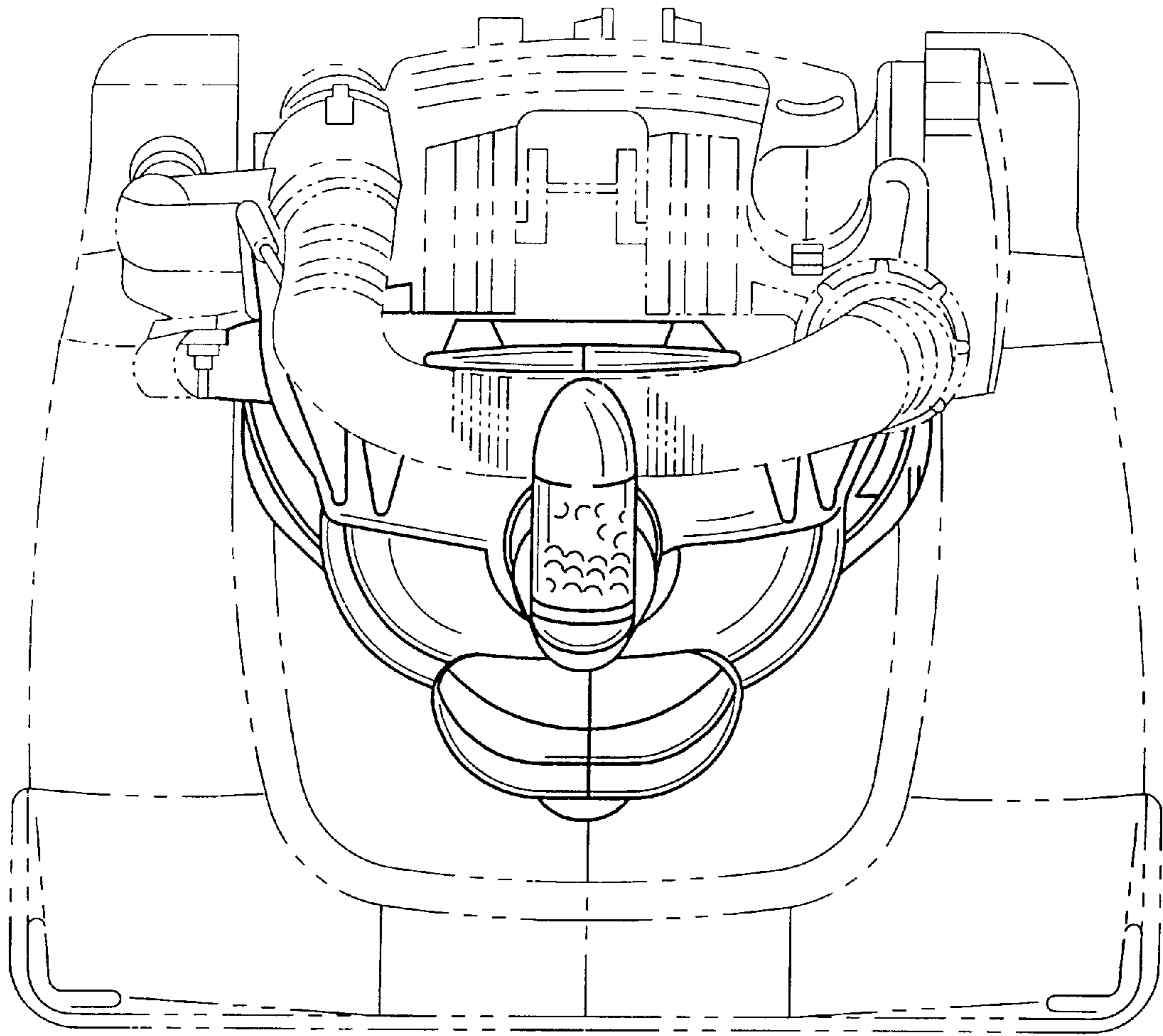


FIG. 6