



US00D465074S

(12) **United States Design Patent**
McCracken et al.

(10) **Patent No.: US D465,074 S**

(45) **Date of Patent: ** Oct. 29, 2002**

(54) **POWER WAXER**

4,388,780 A 6/1983 Rees 51/128
D270,515 S 9/1983 Dunlap D8/67

(75) Inventors: **Robert McCracken**, Tampa, FL (US);
Raul Cortes, Bolingbrook, IL (US);
James B. Watson, Conyers, GA (US)

(List continued on next page.)

(73) Assignee: **Hand Tools International, LLC**, Lake Zurich, IL (US)

Primary Examiner—Ruth McInroy

(74) *Attorney, Agent, or Firm*—Fitch, Even, Tabin & Flannery

(**) Term: **14 Years**

(57) **CLAIM**

(21) Appl. No.: **29/077,375**

We claim the ornamental design for a power waxer, as shown and described.

(22) Filed: **Sep. 24, 1997**

DESCRIPTION

Related U.S. Application Data

(63) Continuation-in-part of application No. 29/046,675, filed on Oct. 20, 1995, now Pat. No. Des. 391,698.

(51) **LOC (7) Cl.** **15-05**

(52) **U.S. Cl.** **D32/15**

(58) **Field of Search** D32/15, 19; D8/62, D8/67; 15/97.1, 97.3, 53.2, 52.1, 50.3, 22.1, 28; D4/137; 310/68 D; 451/359, 357, 344

FIG. 1 is a perspective view of a power waxer showing a first embodiment of our new design and showing the pad thereof in phantom;

FIG. 2 is a top plan view of the power waxer of FIG. 1;

FIG. 3 is a left side elevational view of the power waxer of FIG. 1;

FIG. 4 is a right side elevational view of the power waxer of FIG. 1;

FIG. 5 is a front elevational view of the power waxer of FIG. 1;

FIG. 6 is a rear elevational view of the power waxer of FIG. 1;

FIG. 7 is a bottom plan view of the power waxer of FIG. 1 with the pad removed;

FIG. 8 is a perspective view of a power waxer showing a second embodiment of our new design having a speed-control switch adjacent the top thereof;

FIG. 9 is a top plan view of the power waxer of FIG. 8;

FIG. 10 is a left side elevational view of the power waxer of FIG. 8; and,

FIG. 11 is a rear elevational view of the power waxer of FIG. 8.

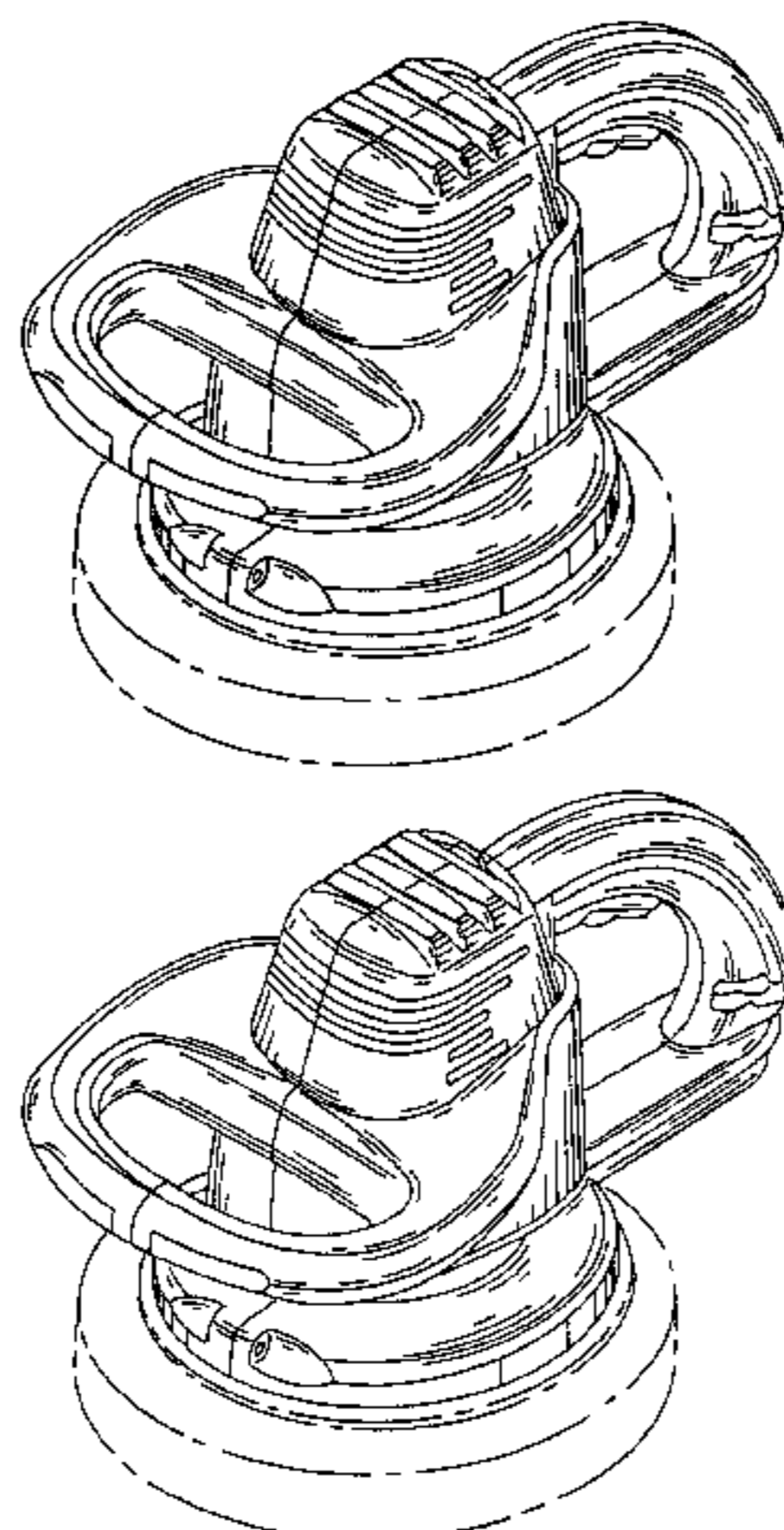
The broken line showing of a pad in all views is for illustrative purposes only and forms no part of the claimed design. The only difference in the second embodiment is the addition of the switch on the top of the waxer.

(56) **References Cited**

U.S. PATENT DOCUMENTS

| | | | |
|-------------|---------|------------------|-----------|
| 1,259,609 A | 3/1918 | Denhard | |
| 1,929,662 A | 10/1933 | Wappat | 200/157 |
| 2,544,343 A | 3/1951 | Miller | 173/322 |
| 2,597,971 A | 5/1952 | Burnham | 15/97 |
| 2,759,305 A | 8/1956 | Helbig | 51/170 |
| 3,401,416 A | 9/1968 | Ziegler | 15/49 |
| D221,129 S | 7/1971 | Hutchins | D8/2 |
| 3,780,246 A | 12/1973 | Beckering et al. | 200/157 |
| 3,793,782 A | 2/1974 | Bowling | 51/170 PT |
| 3,873,796 A | 3/1975 | Worobec, Jr. | 200/157 |
| 4,122,320 A | 10/1978 | Edgell et al. | 200/157 |
| 4,133,971 A | 1/1979 | Boyd et al. | 174/46 |
| D252,731 S | 8/1979 | Parise | D8/62 |
| 4,216,630 A | 8/1980 | Smart et al. | 51/170 T |
| 4,276,459 A | 6/1981 | Willett et al. | 200/157 |
| 4,295,240 A | 10/1981 | Lex | 15/22 R |
| 4,381,628 A | 5/1983 | Dicke | 51/170 TL |

1 Claim, 6 Drawing Sheets



US D465,074 S

Page 2

U.S. PATENT DOCUMENTS

| | | | | | | | | |
|-------------|---------|----------------------|-----------|-------------|---|---------|--------------------------|----------|
| D273,079 S | 3/1984 | Ibaraki | D8/62 | D332,734 S | * | 1/1993 | Fushiya et al. | D8/62 |
| D277,638 S | 2/1985 | Somers | D8/62 | 5,185,964 A | | 2/1993 | Englund et al. | 51/281 R |
| 4,523,411 A | 6/1985 | Freerks | 51/170 MT | D336,229 S | | 6/1993 | Bunyea | D8/62 |
| D283,590 S | 4/1986 | Ibaraki | | D337,499 S | | 7/1993 | Matsunaga et al. | D8/62 |
| D295,253 S | 4/1988 | Ashworth | | 5,231,727 A | | 8/1993 | Armbruster | 15/97.1 |
| 4,799,282 A | 1/1989 | Fischer | 15/98 | 5,243,727 A | | 9/1993 | Tanaka et al. | 15/98 |
| 4,858,271 A | 8/1989 | Berfield et al. | 15/339 | 5,289,605 A | | 3/1994 | Armbruster | 15/97.1 |
| 4,866,804 A | 9/1989 | Masbruch et al. | 15/49 R | 5,309,594 A | | 5/1994 | Thompson | 15/97.1 |
| 4,875,879 A | 10/1989 | Bunyea et al. | 439/501 | 5,318,158 A | | 6/1994 | Seasholtz | 191/12 R |
| 4,962,562 A | 10/1990 | Englund et al. | 15/230.16 | 5,330,138 A | | 7/1994 | Schlessmann | 248/52 |
| D312,714 S | 12/1990 | Simonelli et al. | | D349,789 S | | 8/1994 | Bunyea | D32/19 |
| D313,094 S | 12/1990 | Itaya et al. | | 5,347,673 A | | 9/1994 | Nickels, Jr. | 15/97.1 |
| 5,007,128 A | 4/1991 | Englund et al. | 15/230.16 | 5,349,785 A | | 9/1994 | Nickels, Jr. et al. | 451/357 |
| 5,008,574 A | 4/1991 | Kitahata | 310/68 D | D379,749 S | * | 6/1997 | Gildersleeve et al. | D8/67 |
| 5,038,523 A | 8/1991 | Farber et al. | 51/170 R | D380,950 S | * | 7/1997 | Gildersleeve et al. | D8/62 |
| 5,136,130 A | 8/1992 | Daly | 200/318.1 | 5,678,272 A | * | 10/1997 | McCracken et al. | 15/97.1 |
| 5,138,735 A | 8/1992 | Kusz et al. | 15/97.1 | D391,698 S | * | 3/1998 | McCracken et al. | D32/15 |
| D332,558 S | 1/1993 | Hoshino et al. | D8/62 | | | | | |

* cited by examiner

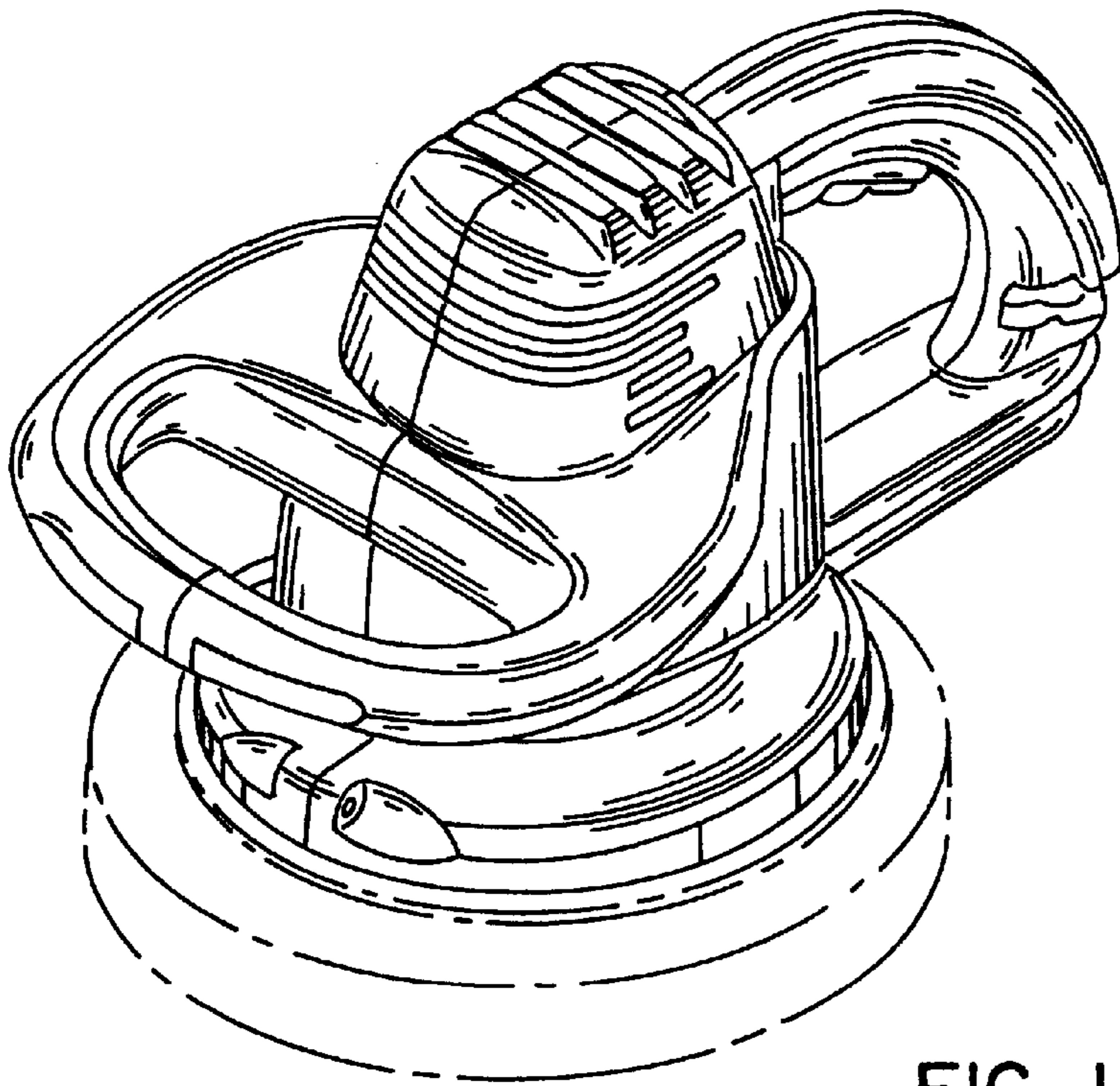


FIG. 1

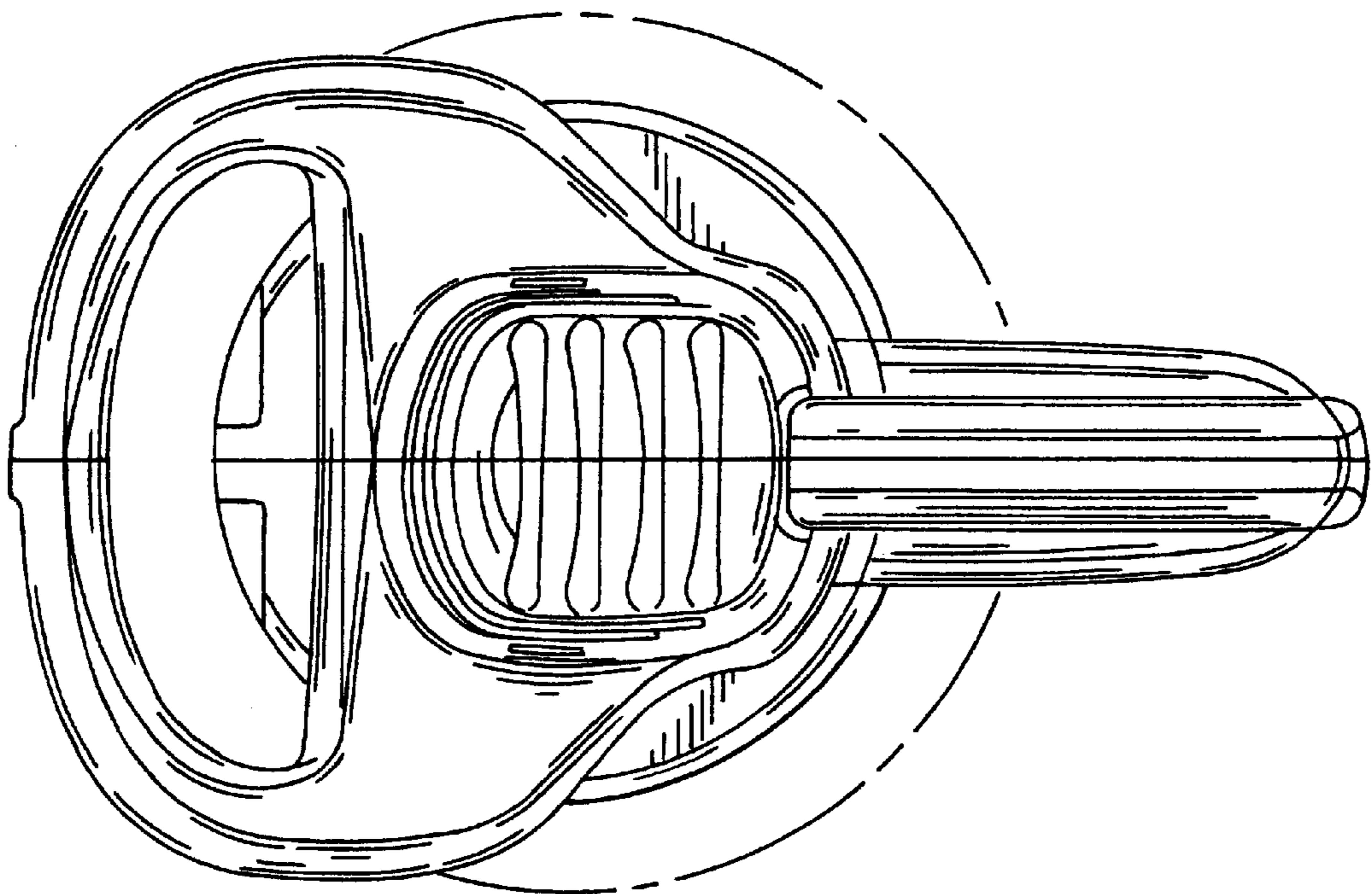


FIG. 2

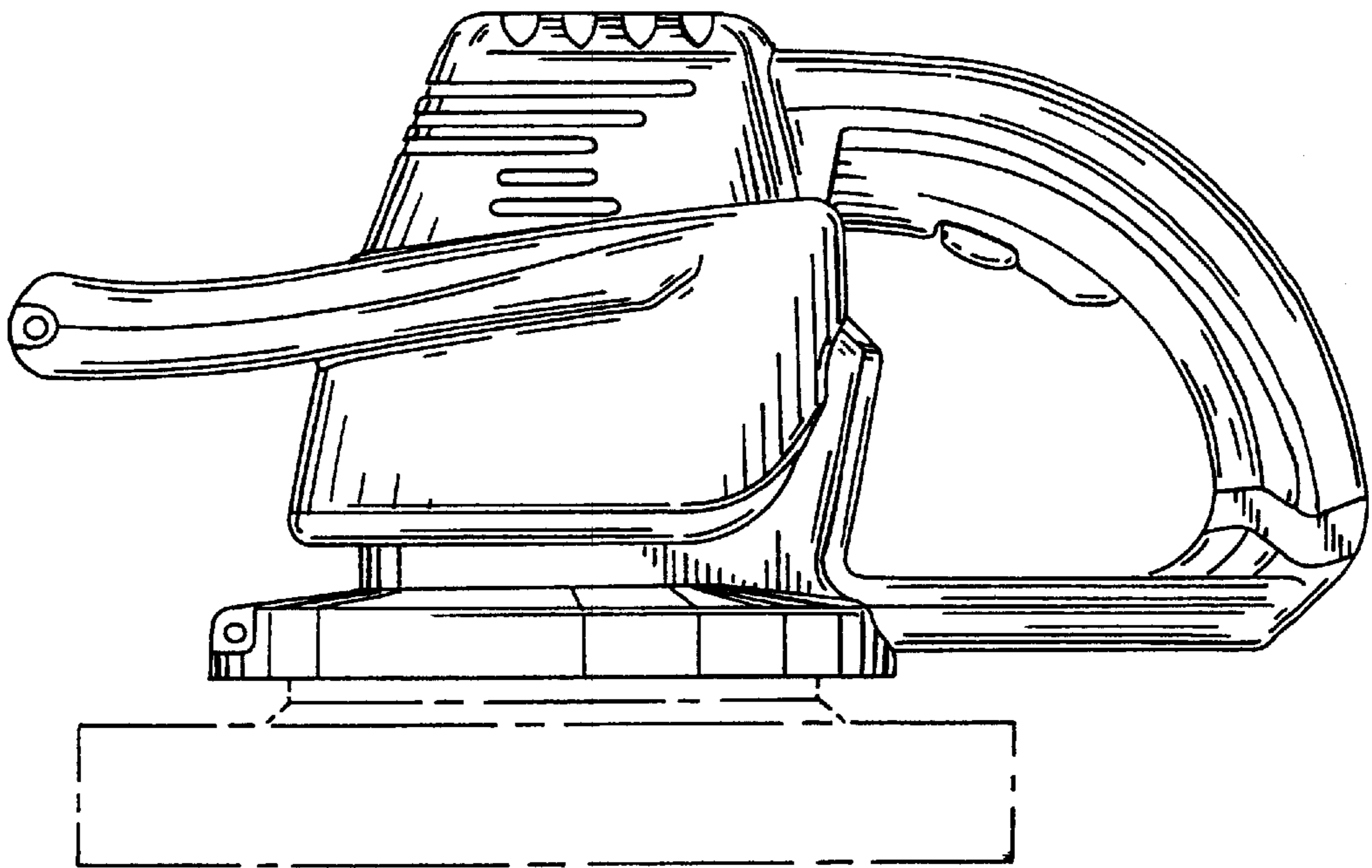


FIG. 3

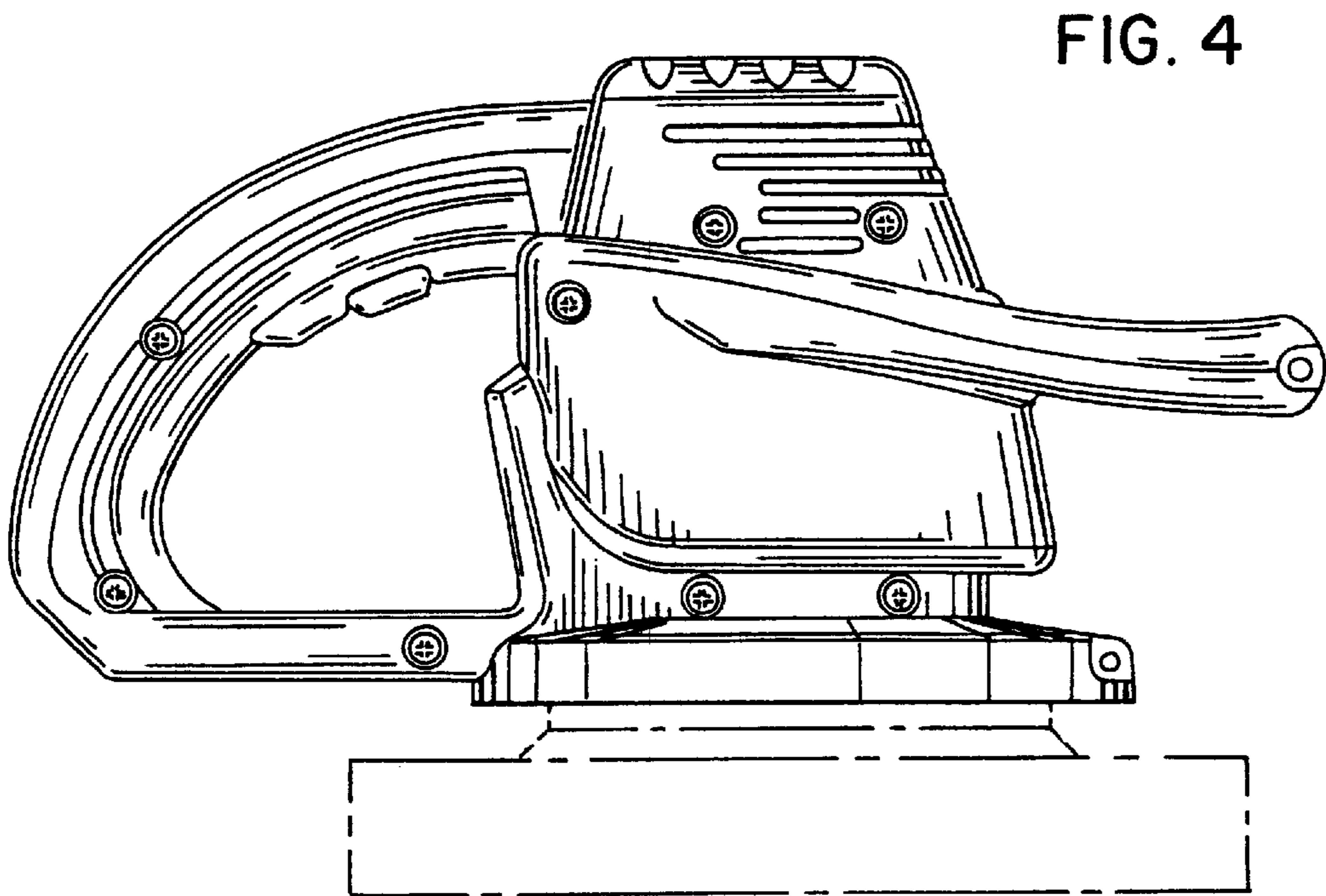


FIG. 4

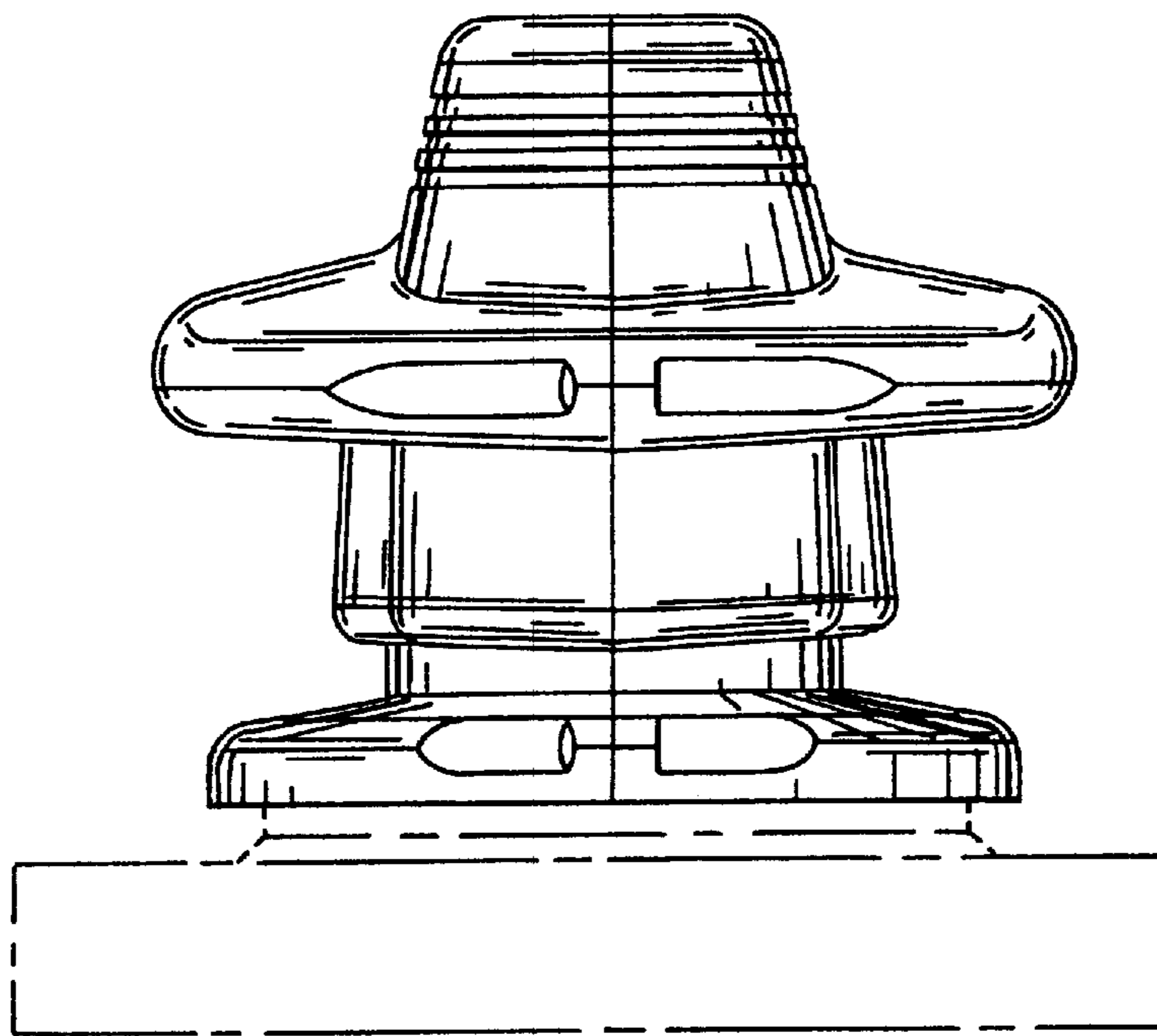


FIG. 5

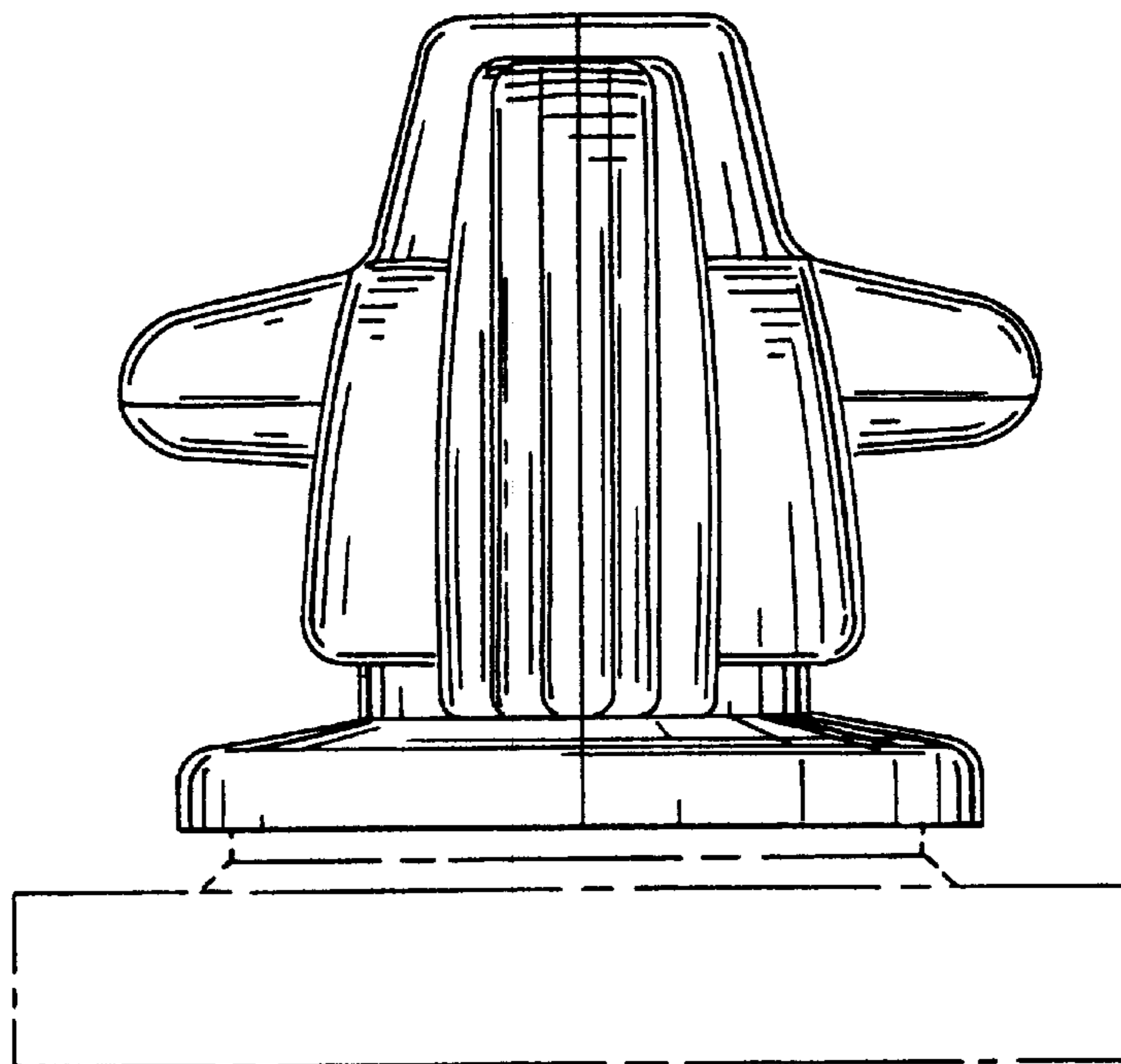


FIG. 6

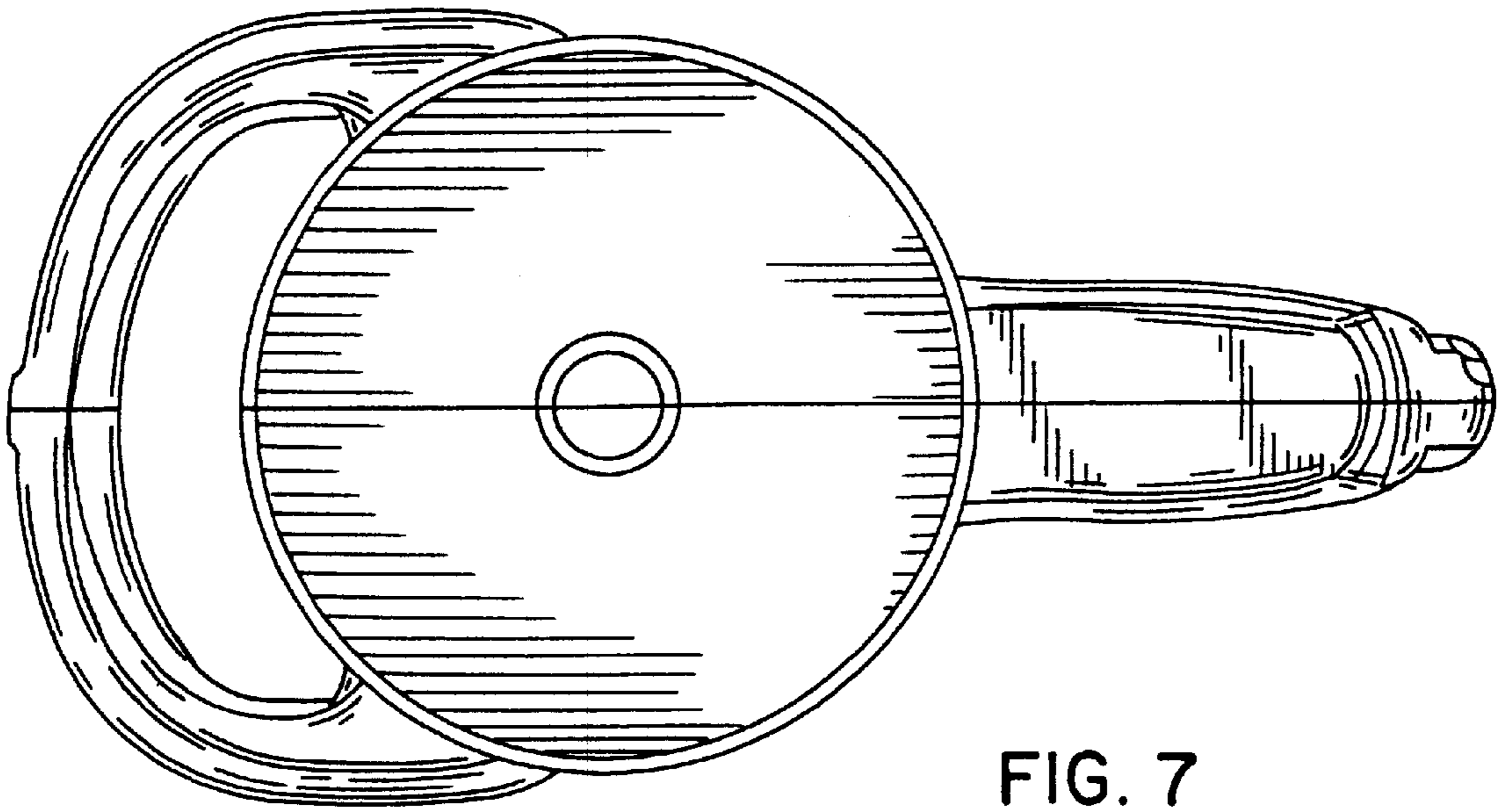


FIG. 7

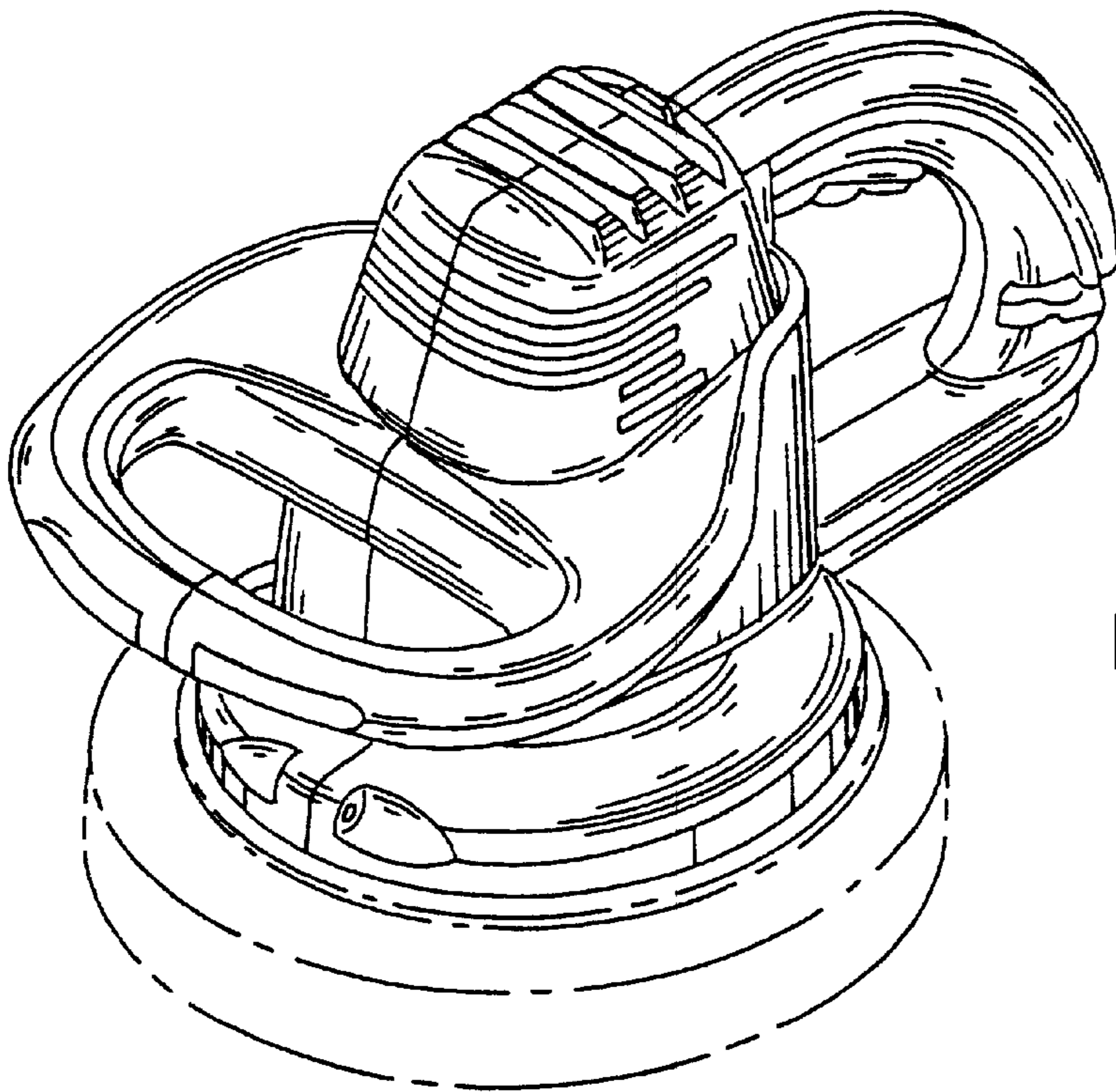


FIG. 8

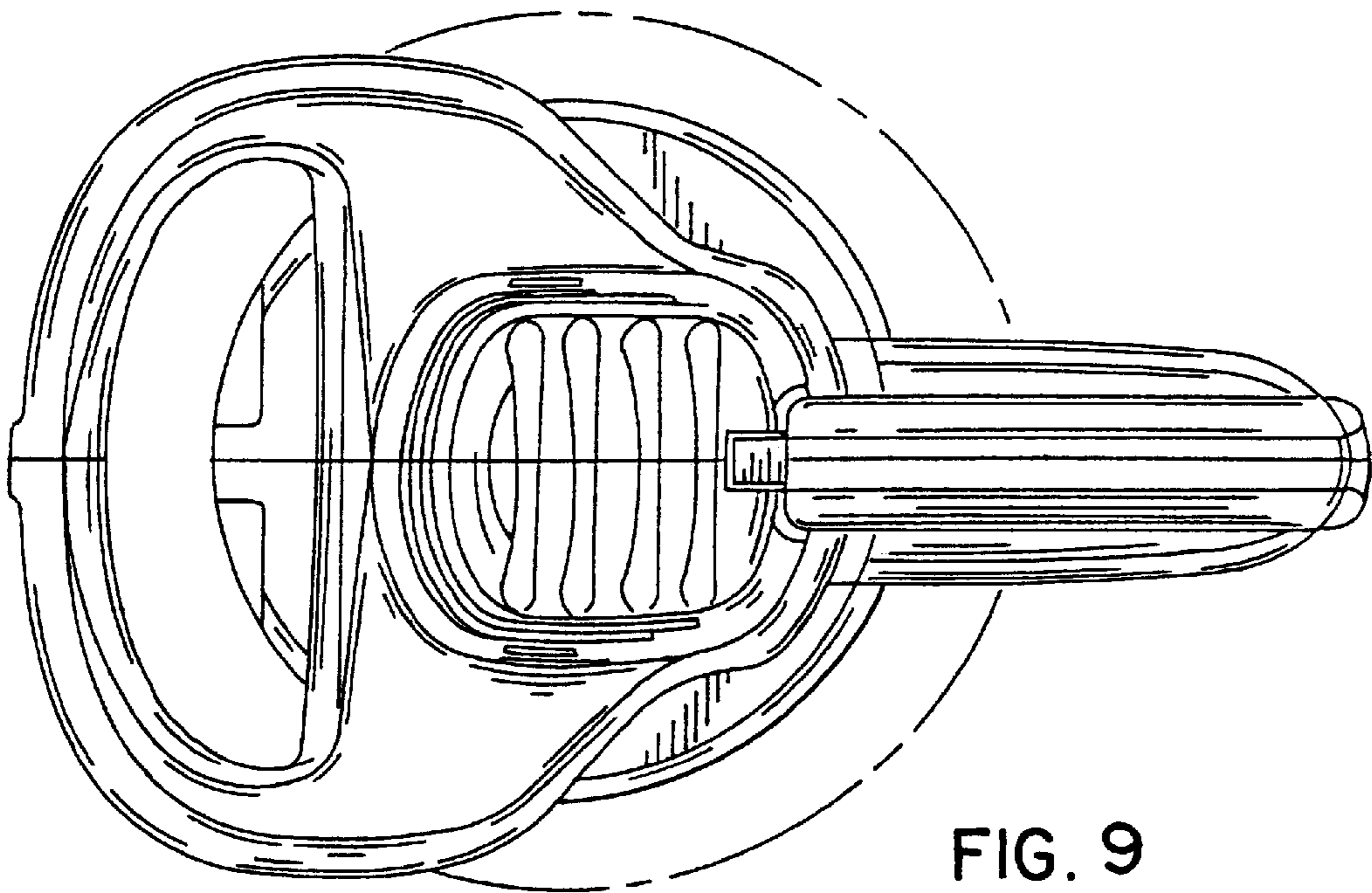


FIG. 9

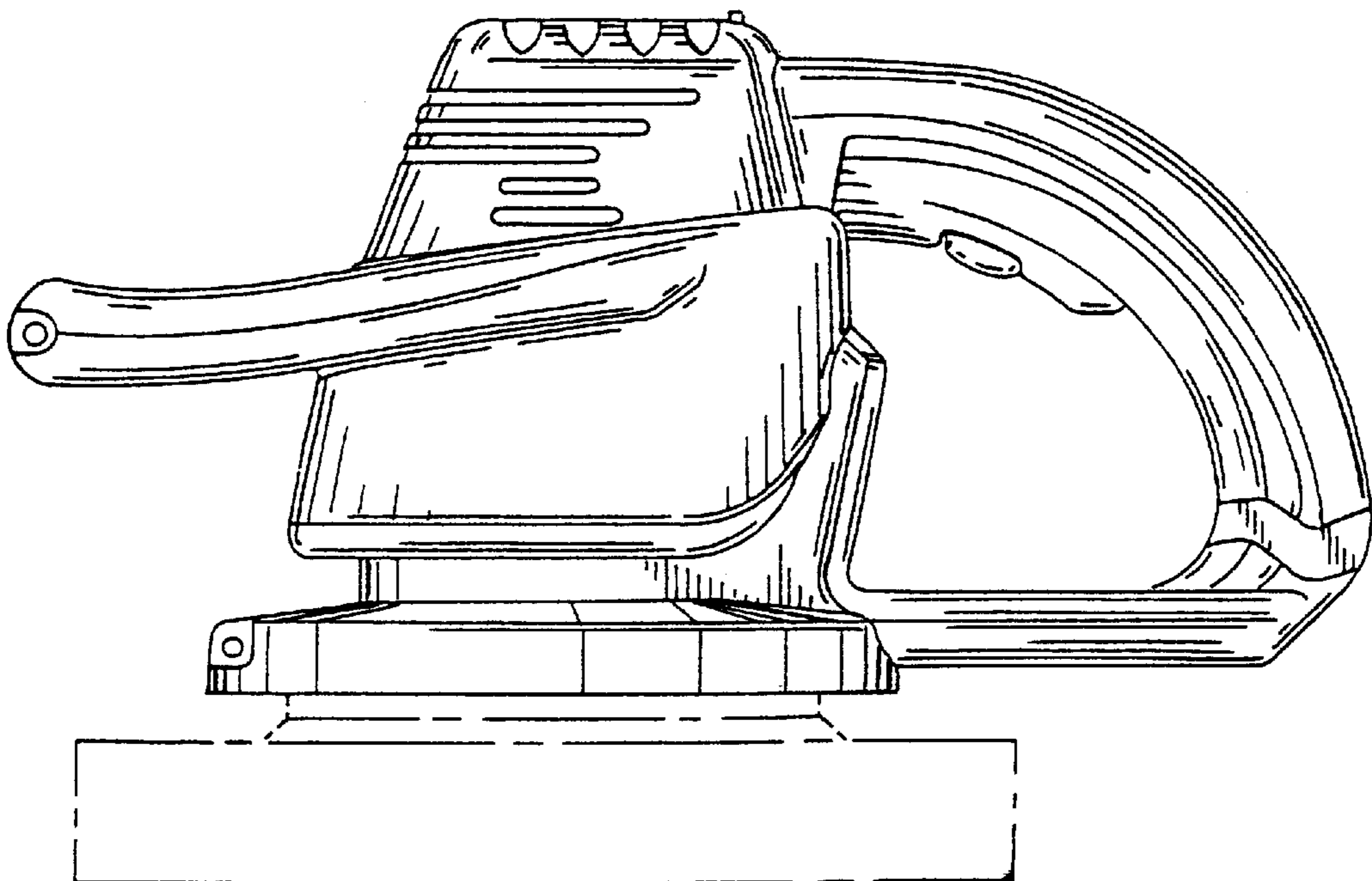


FIG. 10

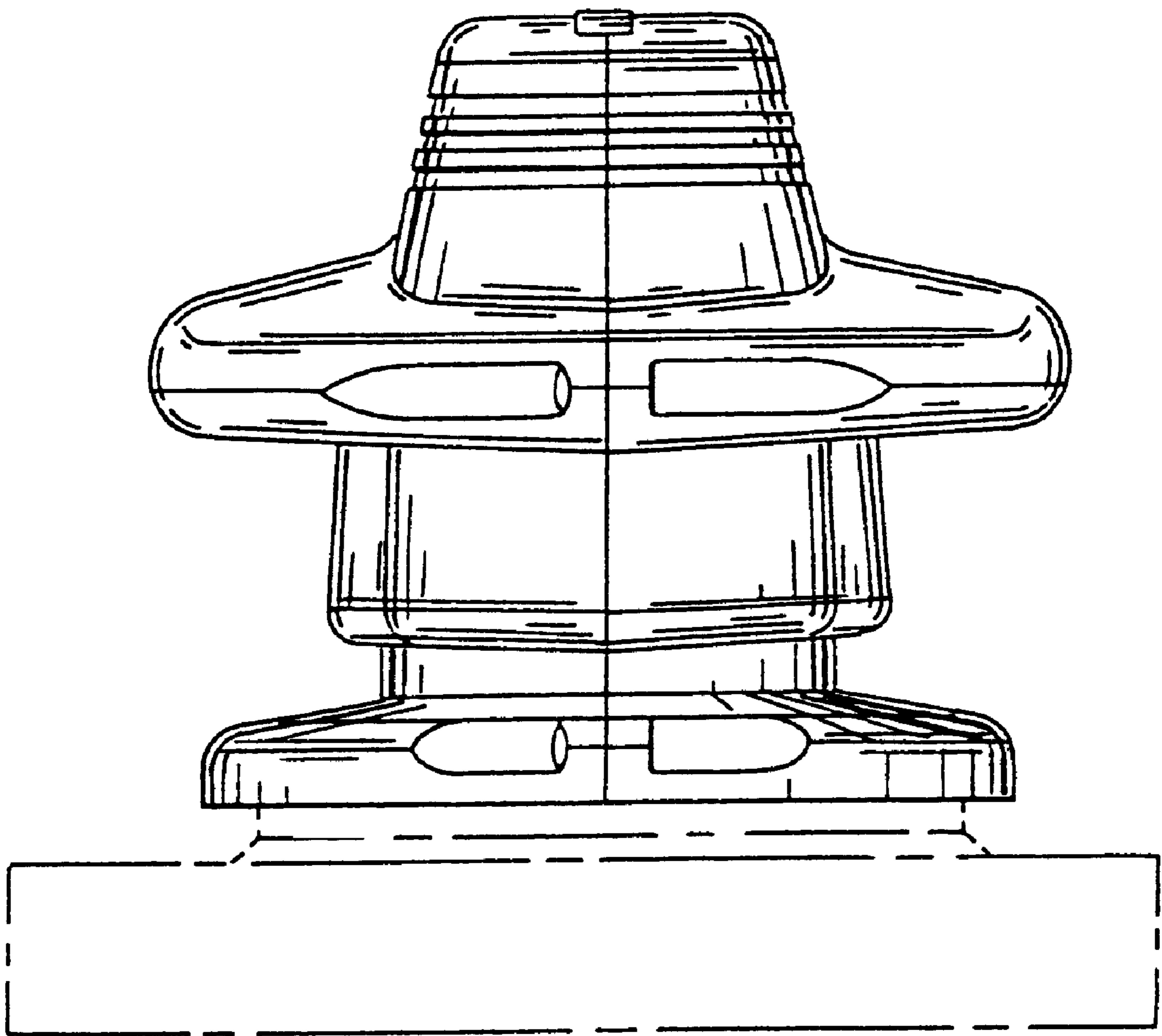


FIG. 11

UNITED STATES PATENT AND TRADEMARK OFFICE
CERTIFICATE OF CORRECTION

PATENT NO. : Des. 465,074 S
DATED : October 29, 2002
INVENTOR(S) : McCracken et al.

Page 1 of 1

It is certified that error appears in the above-identified patent and that said Letters Patent is hereby corrected as shown below:

Title page,
Item [73], should read as follows:

-- Assignee: **WMH Tool Group, Inc.**, Palatine, IL (US) --

Signed and Sealed this

Fifteenth Day of April, 2003

A handwritten signature in black ink, appearing to read "James E. Rogan", written over a horizontal line.

JAMES E. ROGAN
Director of the United States Patent and Trademark Office