



US00D465073S

(12) **United States Design Patent**
Bedretdinov

(10) **Patent No.:** **US D465,073 S**

(45) **Date of Patent:** **** Oct. 29, 2002**

(54) **IRONING PRESS**

(75) Inventor: **Amir Bedretdinov**, Geneva (CH)

(73) Assignee: **Exeq S.A.**, Geneva (CH)

(**) Term: **14 Years**

(21) Appl. No.: **29/155,245**

(22) Filed: **Feb. 8, 2002**

(30) **Foreign Application Priority Data**

Aug. 8, 2001 (XH) DMA/005 408

(51) **LOC (7) Cl.** **15-05**

(52) **U.S. Cl.** **D32/9**

(58) **Field of Search** D32/9, 1; 38/1 R,
38/1 A-1 C, 4-6, 12, 14-17, 19, 24-28,
71-72

(56) **References Cited**

U.S. PATENT DOCUMENTS

D132,143 S	*	4/1942	Barofsky	D32/9
2,483,412 A	*	9/1949	Gershon	38/66
3,579,877 A	*	5/1971	Bray, Jr.	38/12
D225,451 S	*	12/1972	Jimenez	D32/9
D354,591 S	*	1/1995	Wong	D32/9

* cited by examiner

Primary Examiner—Nelson C. Holtje

(74) *Attorney, Agent, or Firm*—Young & Thompson

(57) **CLAIM**

The ornamental design for a ironing press, as shown and described.

DESCRIPTION

FIG. 1 is a top, front and side perspective view

FIG. 2 is a top plan view

FIG. 3 is a bottom plan view

FIG. 4 is a side elevational view from the left of FIG. 1

FIG. 5 is a side elevational view from the left of FIG. 1

FIG. 6 is a rear elevational view thereof

FIG. 7 is a front elevational view thereof

FIG. 8 is a top front and side perspective view in open position

FIG. 9 is a top plan view

FIG. 10 is a bottom plan view

FIG. 11 is a rear elevational view of FIG. 8

FIG. 12 is a front elevational view of FIG. 8

FIG. 13 is a side elevational view from the left of FIG. 8; and,

FIG. 14 is a side elevational view from the right of FIG. 8.

1 Claim, 14 Drawing Sheets

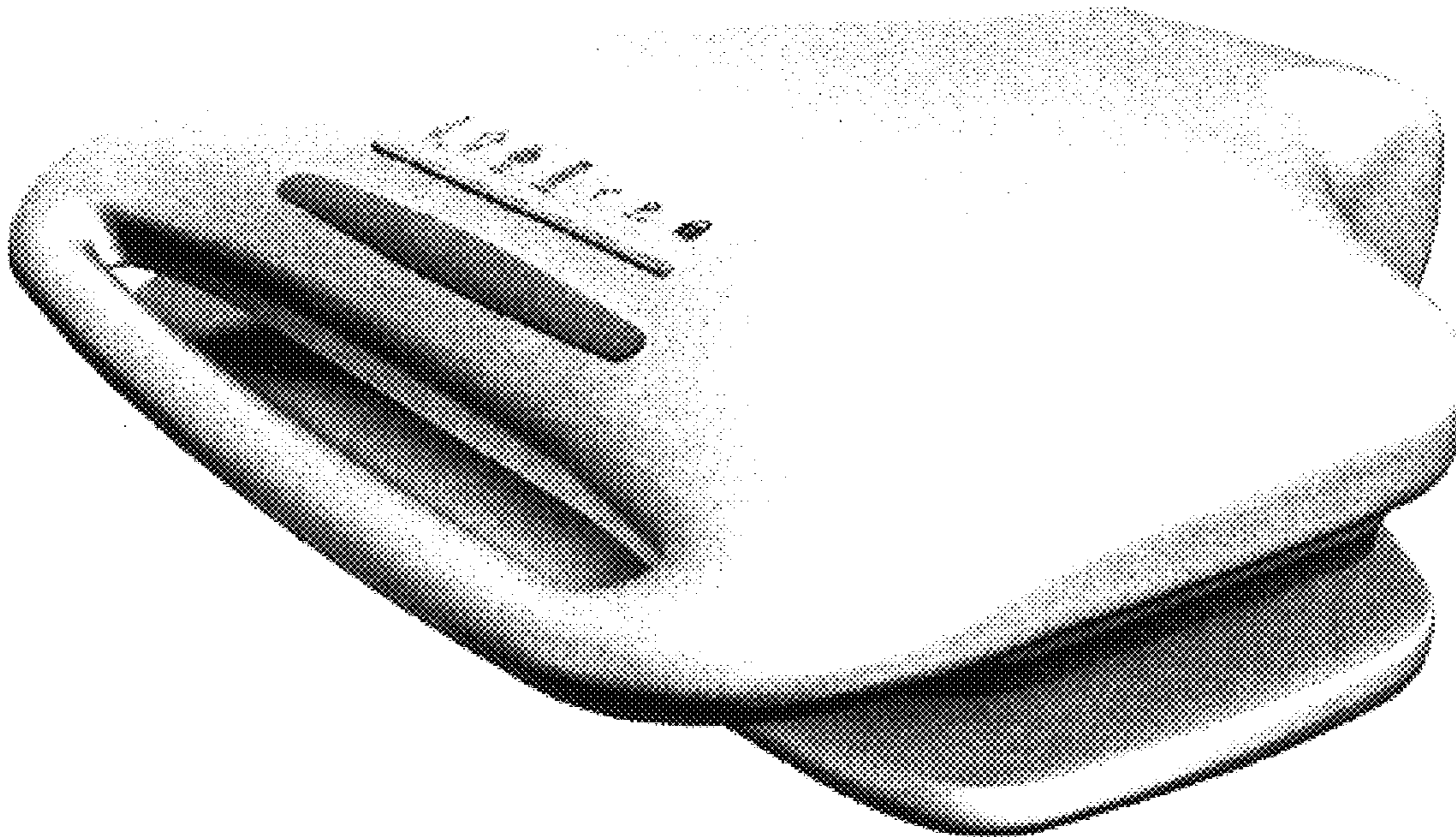


FIG. 1

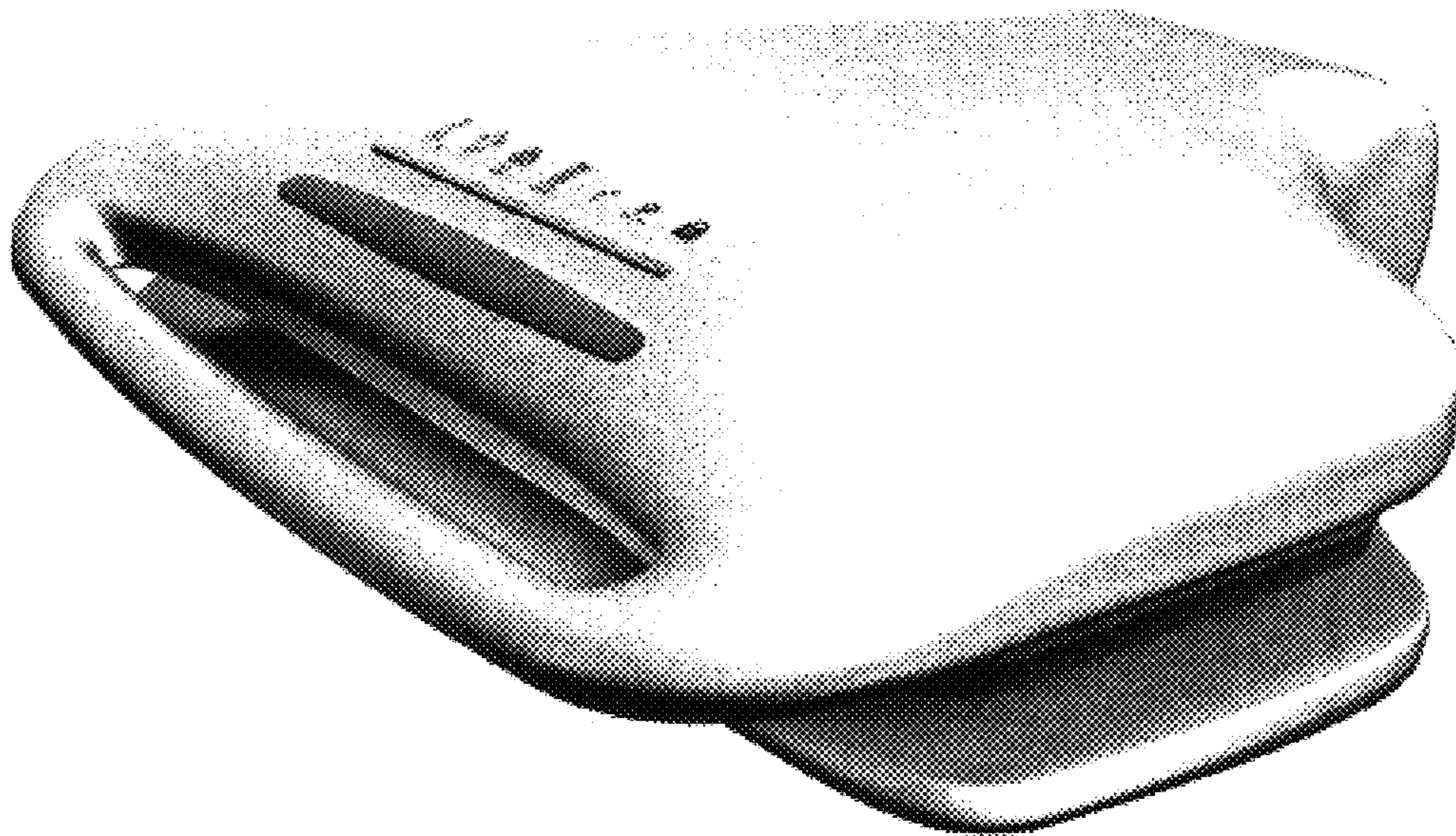


FIG. 2



FIG. 3

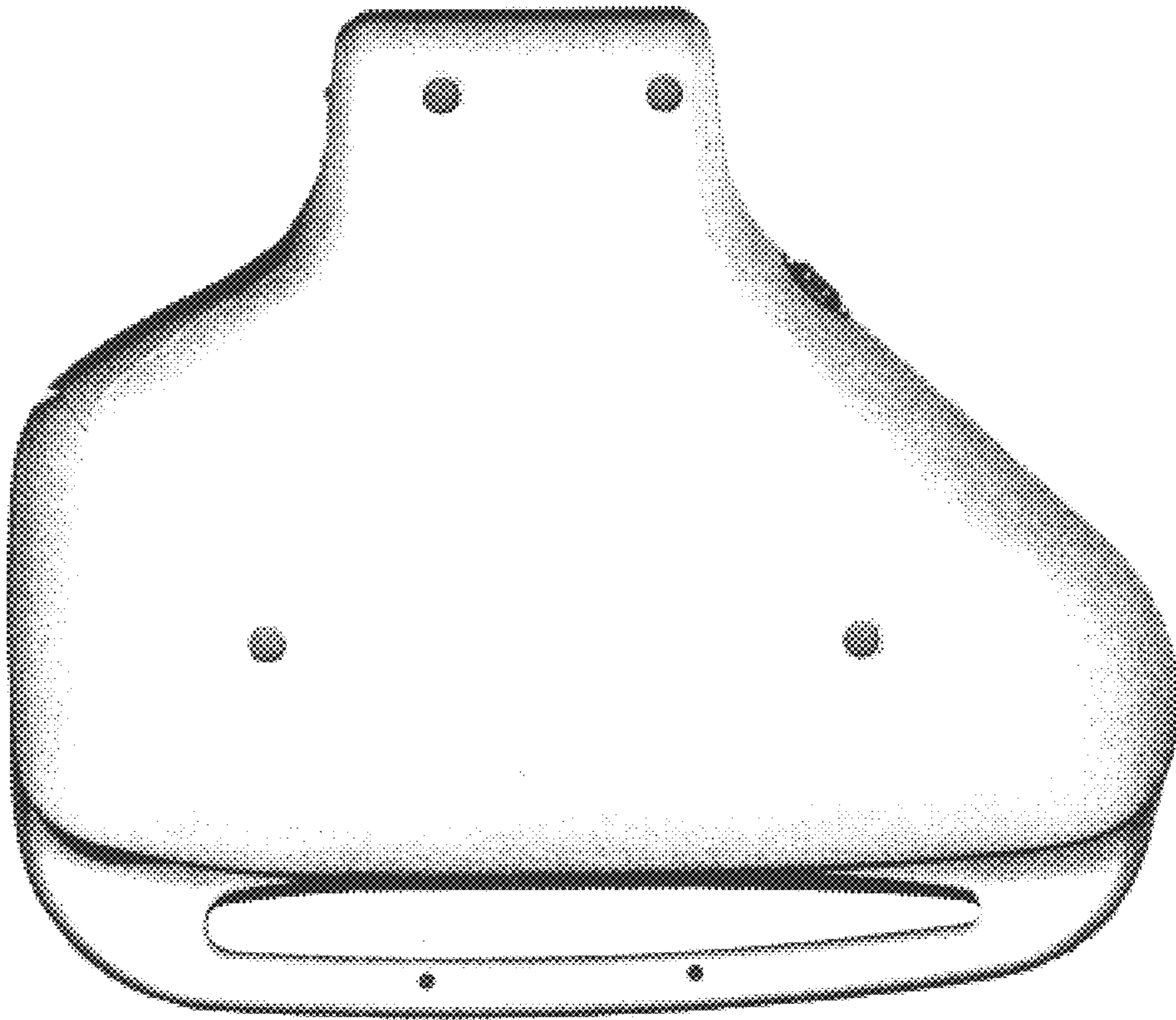


FIG. 4

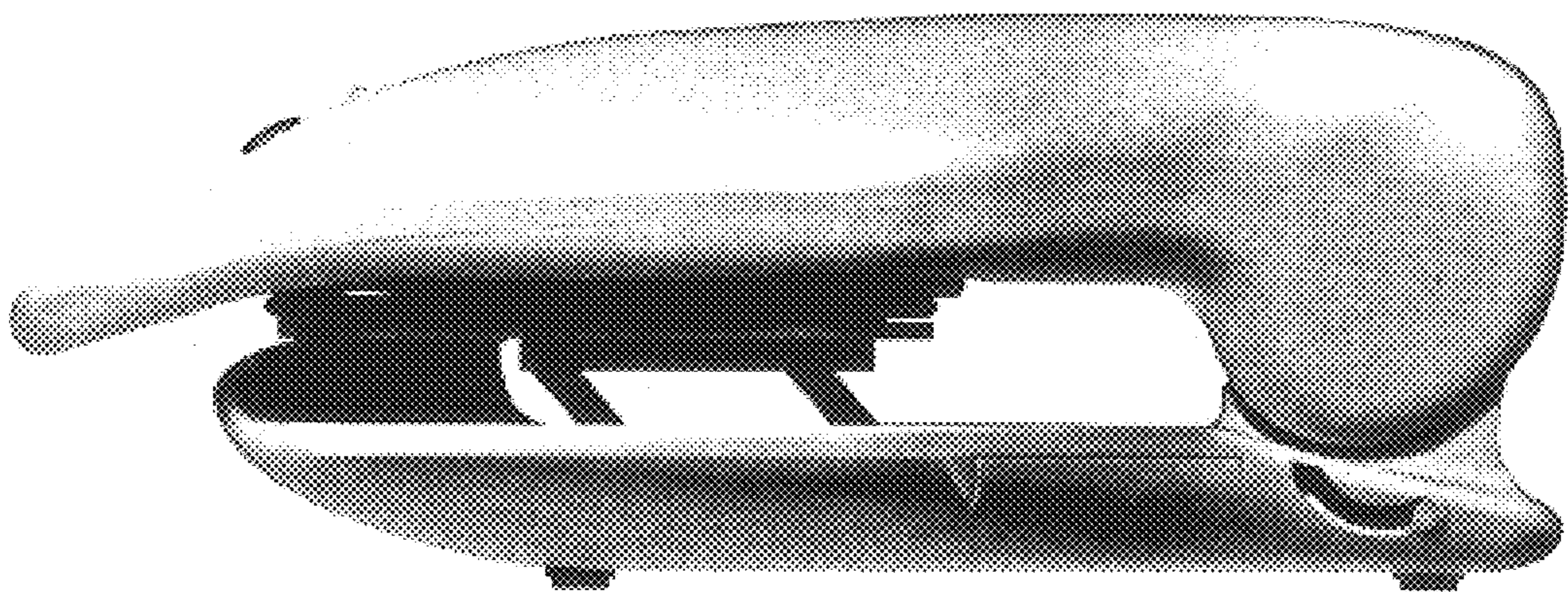


FIG. 5

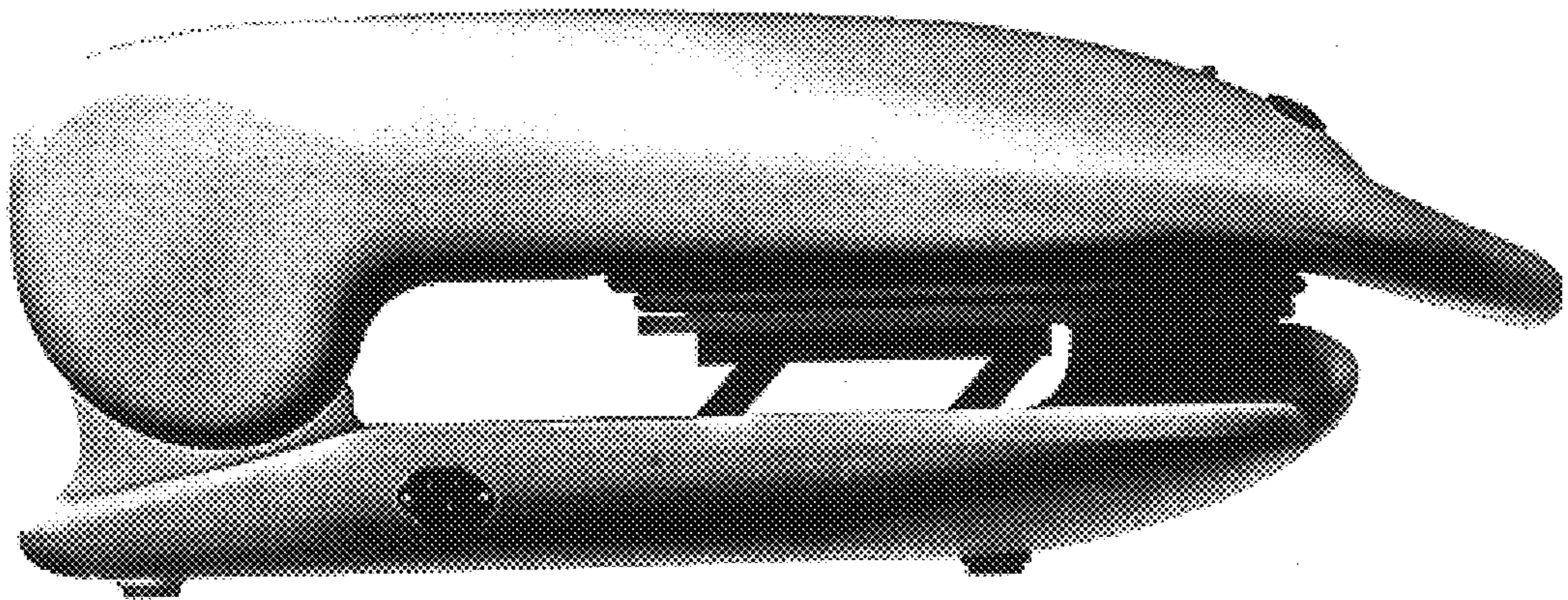


FIG. 6

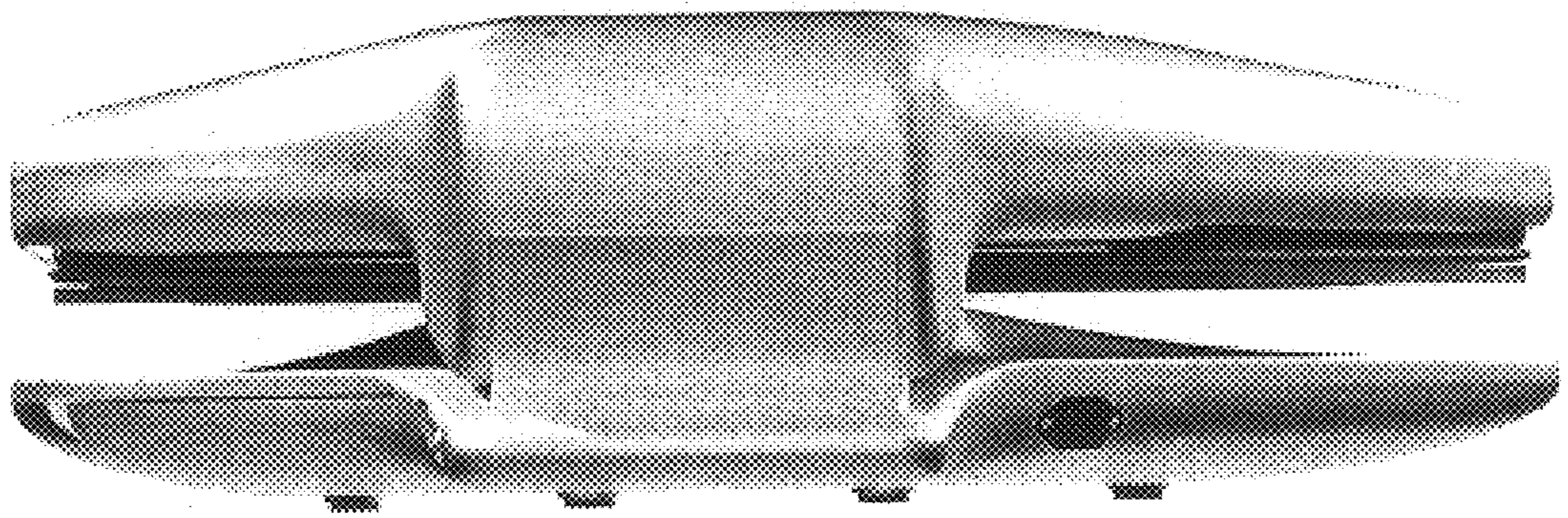


FIG. 7

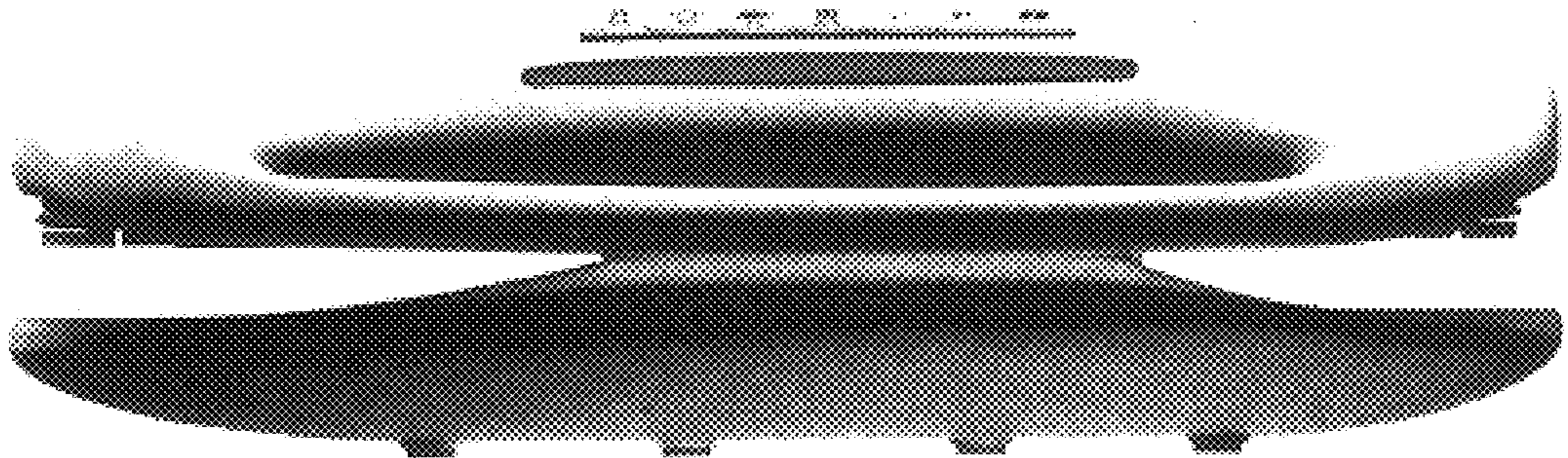


FIG. 8

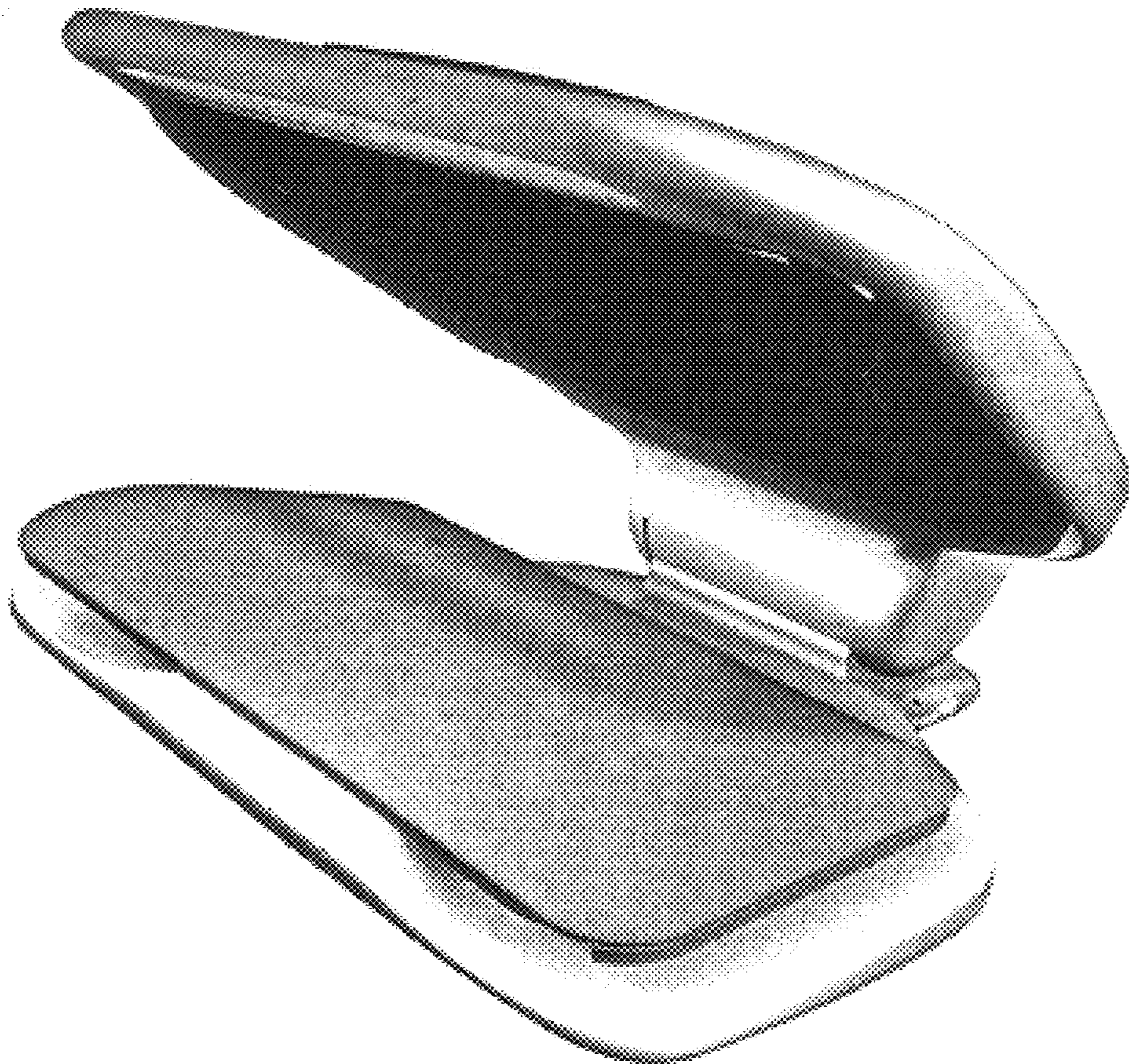


FIG. 9

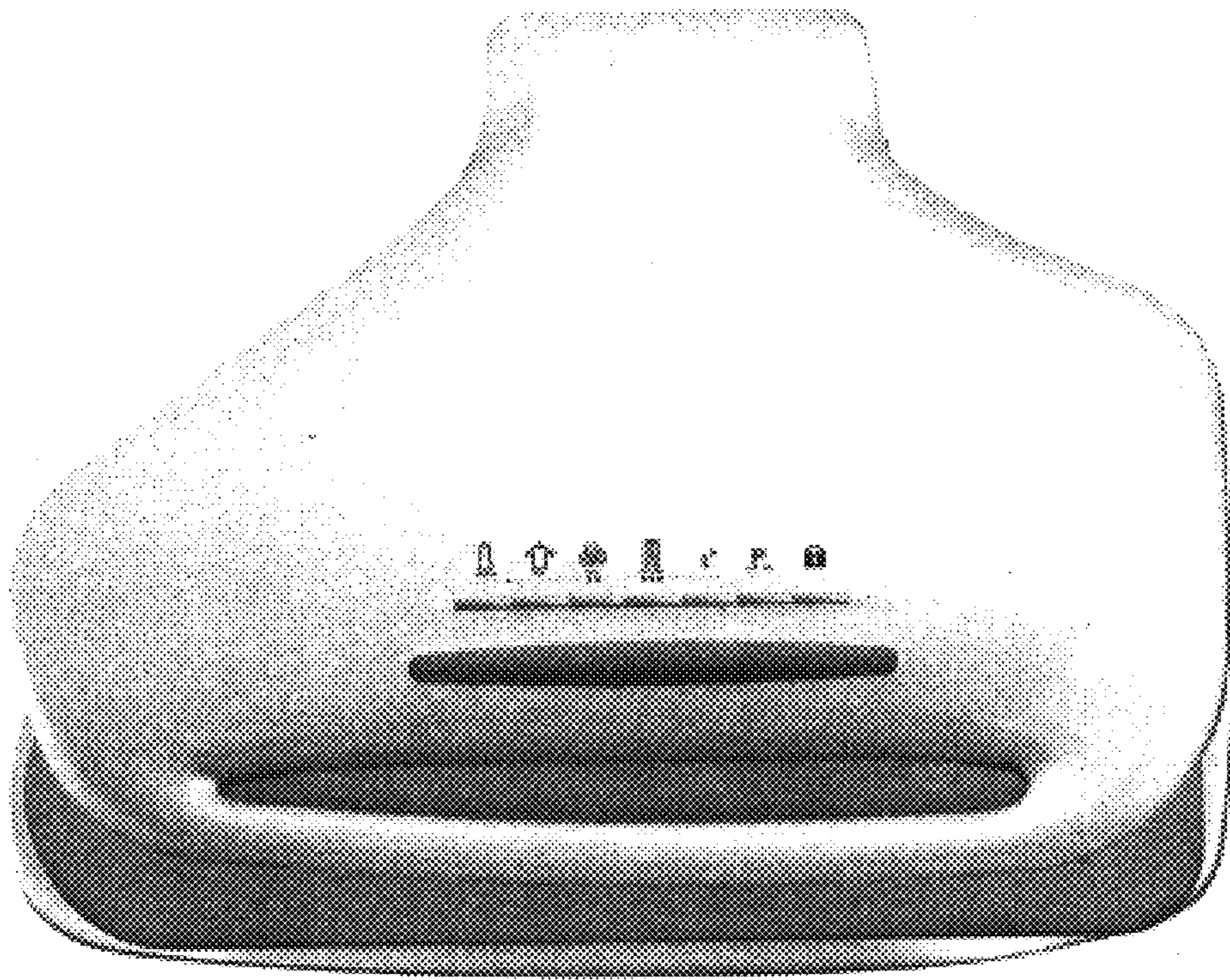


FIG. 10

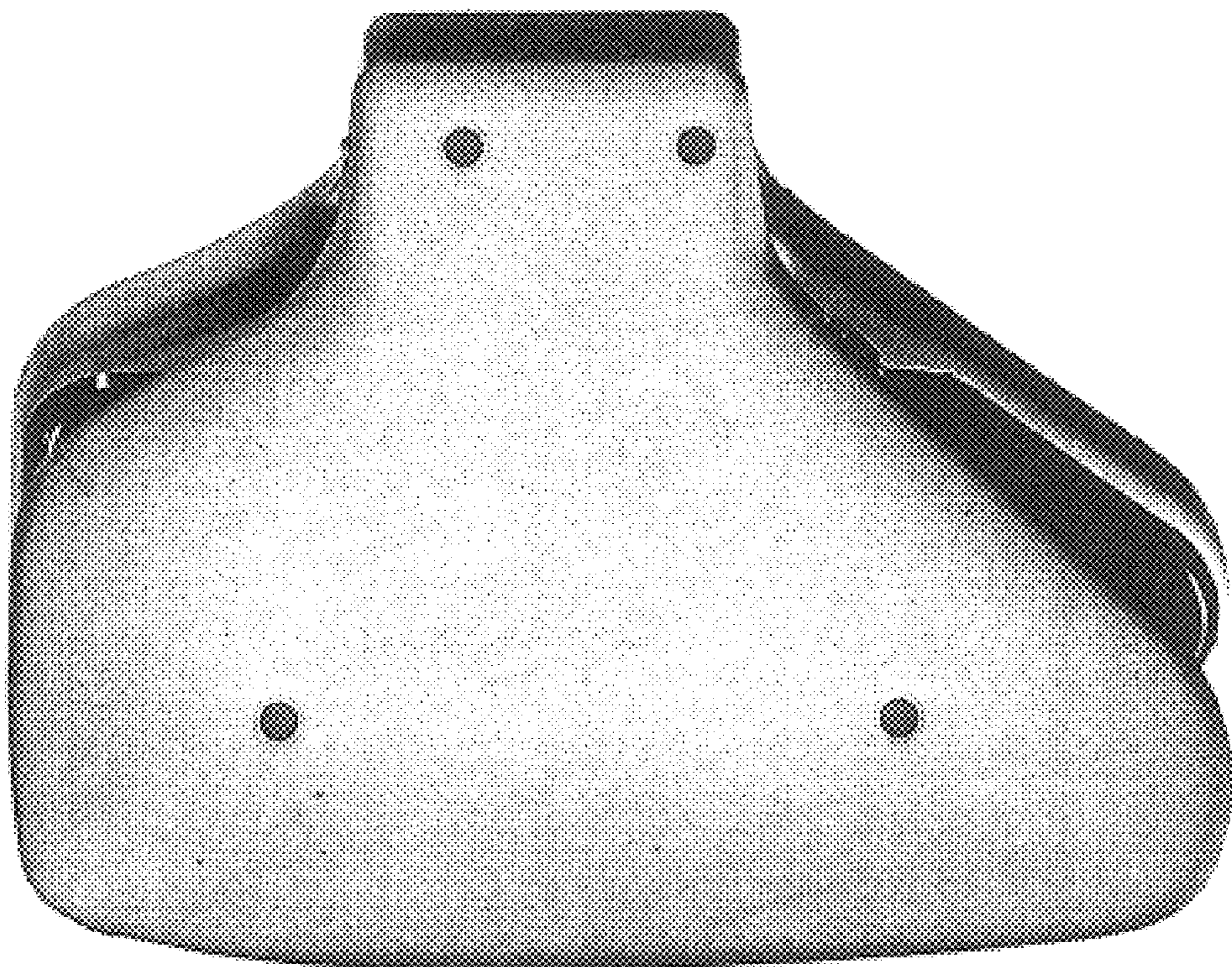


FIG. 11

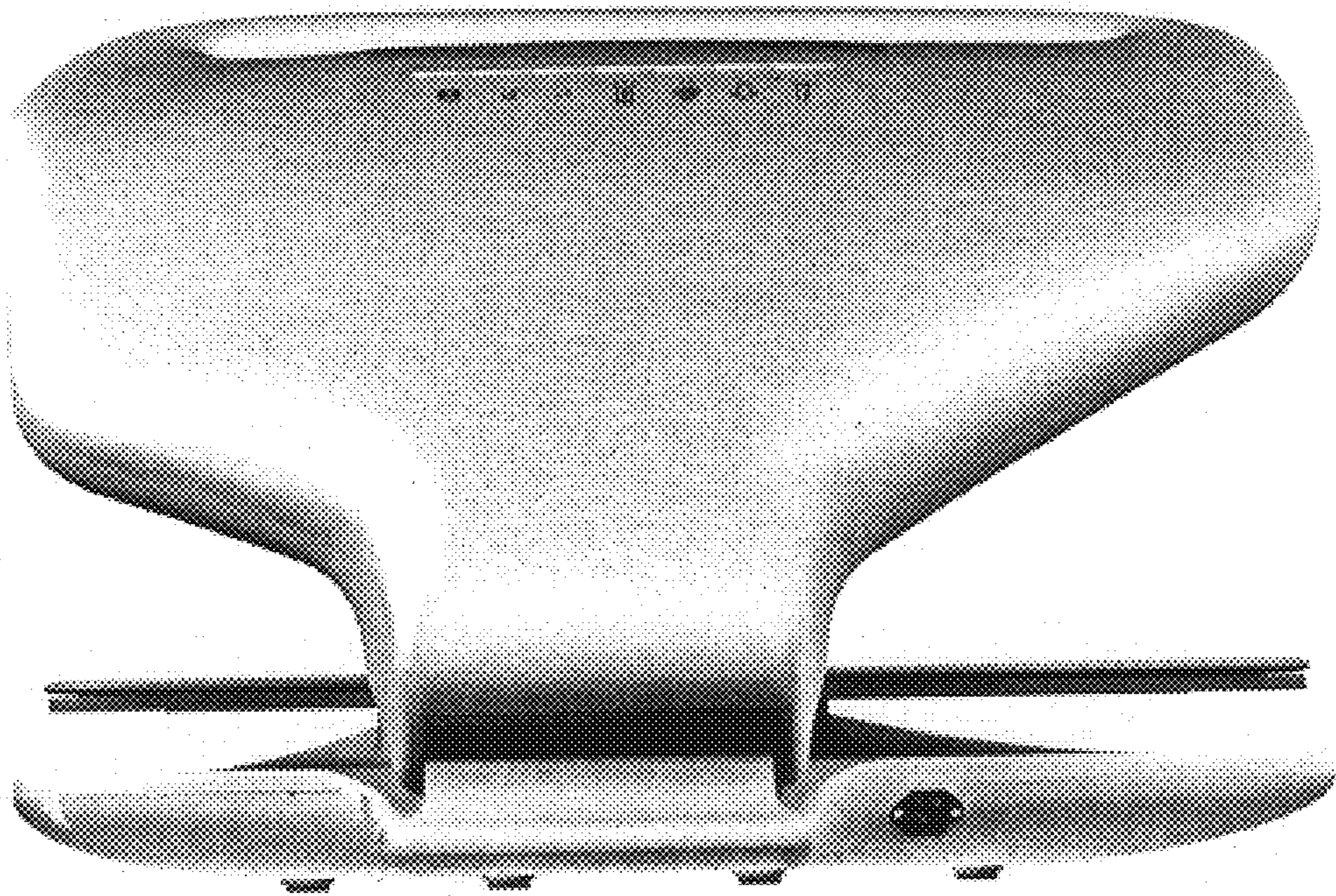


FIG. 12

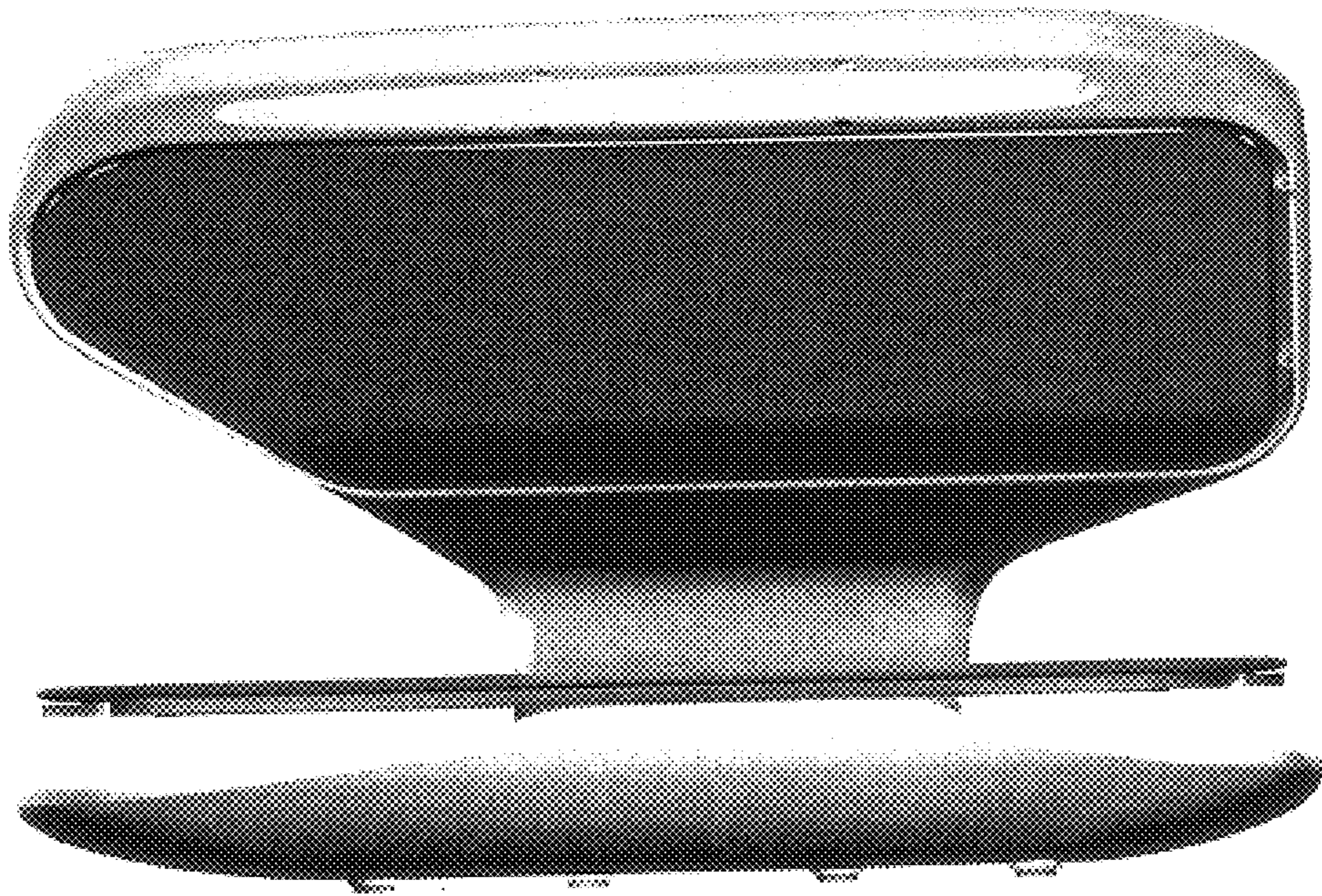


FIG. 13

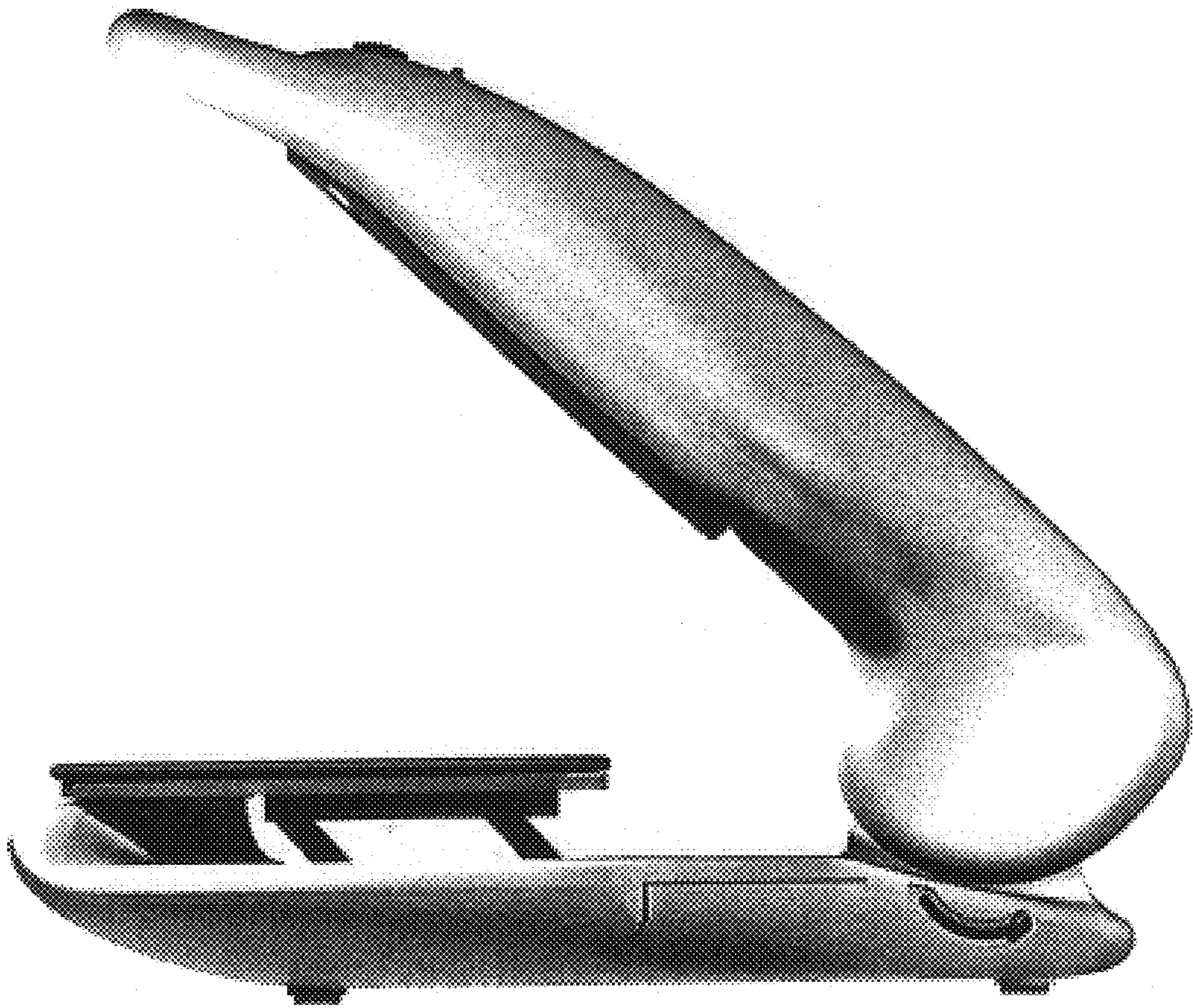


FIG. 14

