



US00D465071S

(12) **United States Design Patent**
Samulski et al.

(10) **Patent No.:** **US D465,071 S**

(45) **Date of Patent:** **** Oct. 29, 2002**

(54) **PET BED**

(76) Inventors: **Eva Samulski**, 38310 Lakeshore Dr.,
Harrison Township, MI (US) 48045;
Christopher Stein, 44155 Donley Dr.,
Sterling Heights, MI (US) 48314

(**) Term: **14 Years**

(21) Appl. No.: **29/150,724**

(22) Filed: **Nov. 28, 2001**

(51) **LOC (7) Cl.** **30-06**

(52) **U.S. Cl.** **D30/118; D6/388**

(58) **Field of Search** **D30/118; 119/28.5;**
5/907, 675, 665, 678, 663, 945, 946; D6/388,
382, 385, 386, 387, 393, 394, 505, 506,
598

(56) **References Cited**

U.S. PATENT DOCUMENTS

D167,241 S	*	7/1952	Wallace et al.	D6/506
D190,989 S	*	8/1961	Fonelli	D6/388
D286,347 S	*	10/1986	Porro	D6/505
4,841,586 A	*	6/1989	Juster et al.	5/663
D361,872 S	*	8/1995	McMahon et al.	D30/118
5,537,952 A	*	7/1996	Devlin	119/28.5

D430,709 S	*	9/2000	Mirabito	D30/118
D436,235 S	*	1/2001	Watt	D30/118
D448,891 S	*	10/2001	Mirabito	D30/118

* cited by examiner

Primary Examiner—Cathy Anne MacCormac
(74) *Attorney, Agent, or Firm*—Harness, Dickey & Pierce,
P.L.C.

(57) **CLAIM**

The ornamental design for a pet bed, as shown and described.

DESCRIPTION

FIG. 1 is a front perspective view of a pet bed showing our new design;

FIG. 2 is a front elevational view thereof;

FIG. 3 is a left side elevational view thereof;

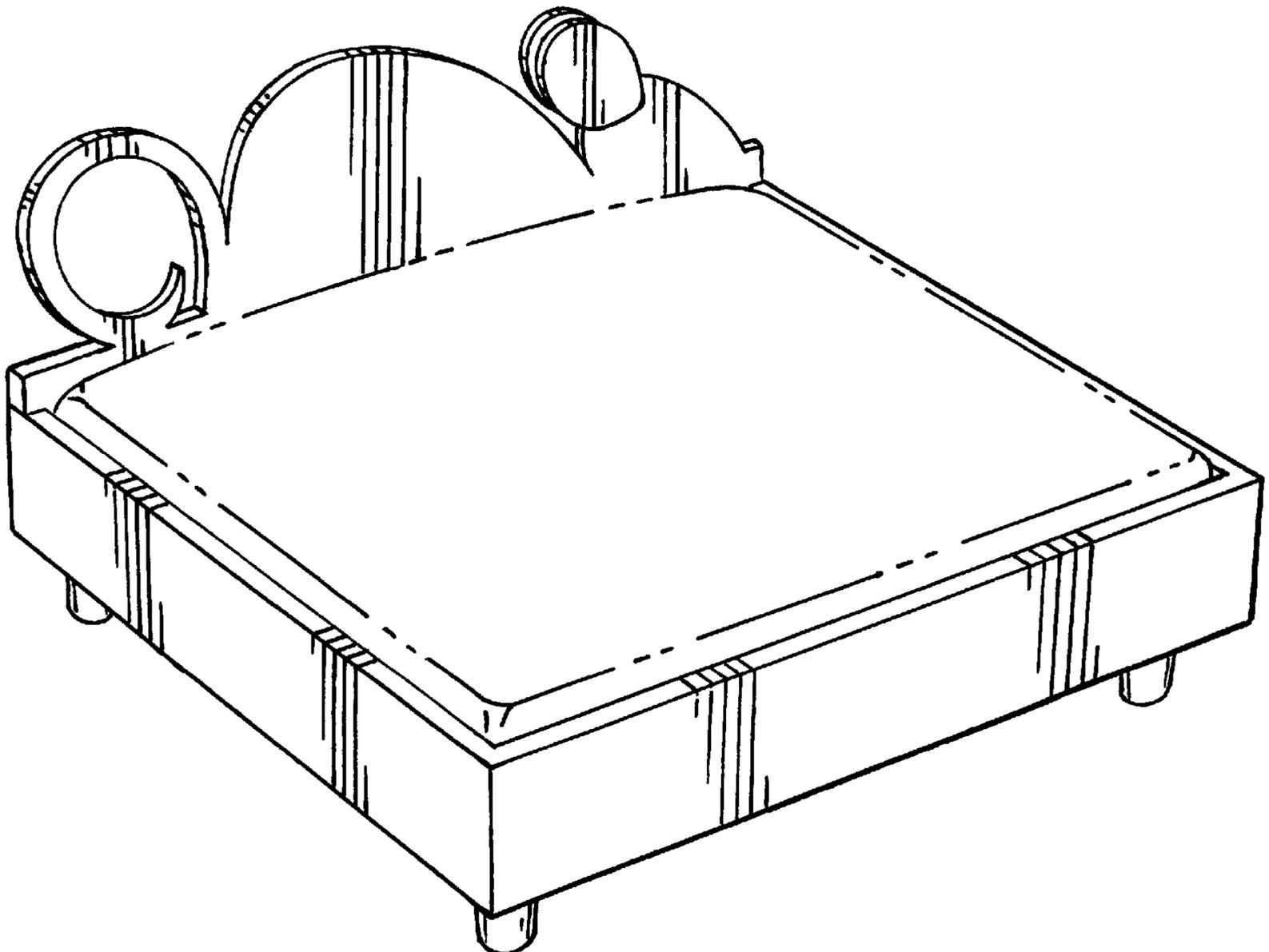
FIG. 4 is a right side elevational view thereof; and,

FIG. 5 is a back elevational view thereof.

It should be understood that the bottom of our design is plain, unornamented and not visible during ordinary use.

It should be further understood that the broken lines shown in FIG. 1 are for illustration only and form no part of the claimed design.

1 Claim, 2 Drawing Sheets



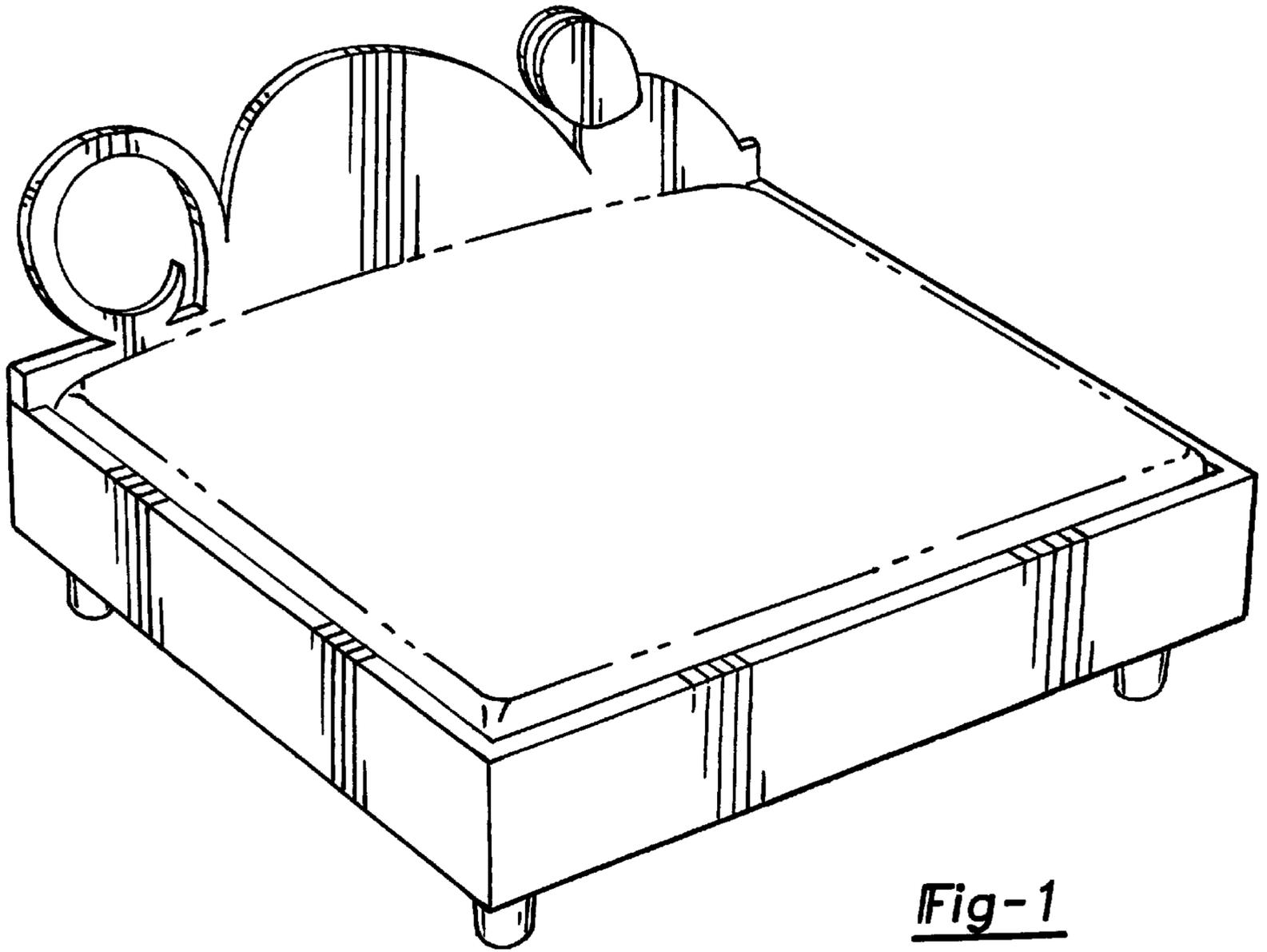
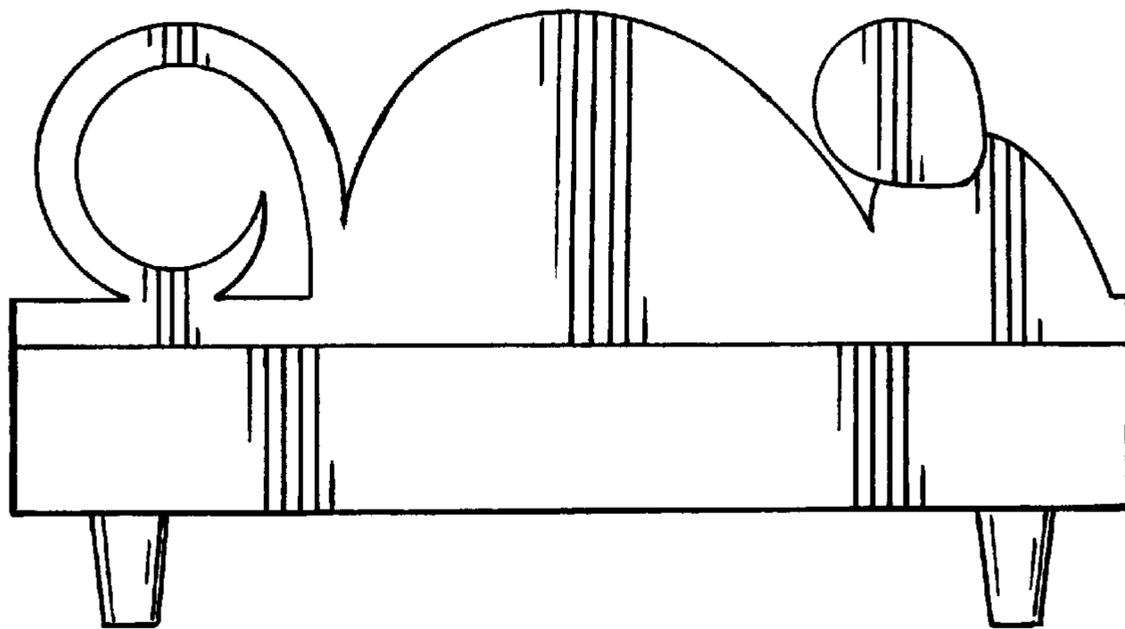


Fig-2



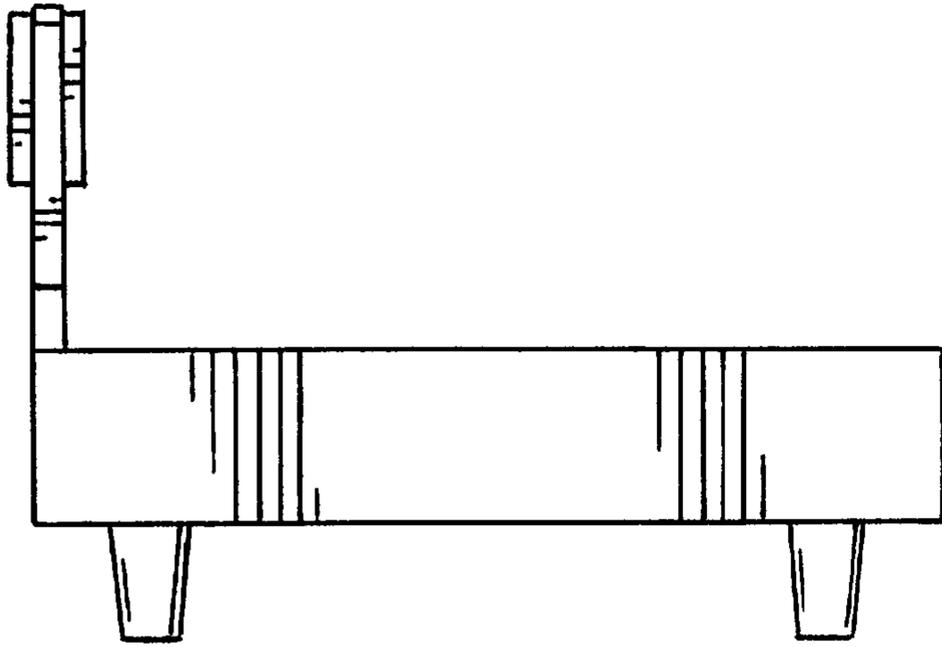


Fig-3

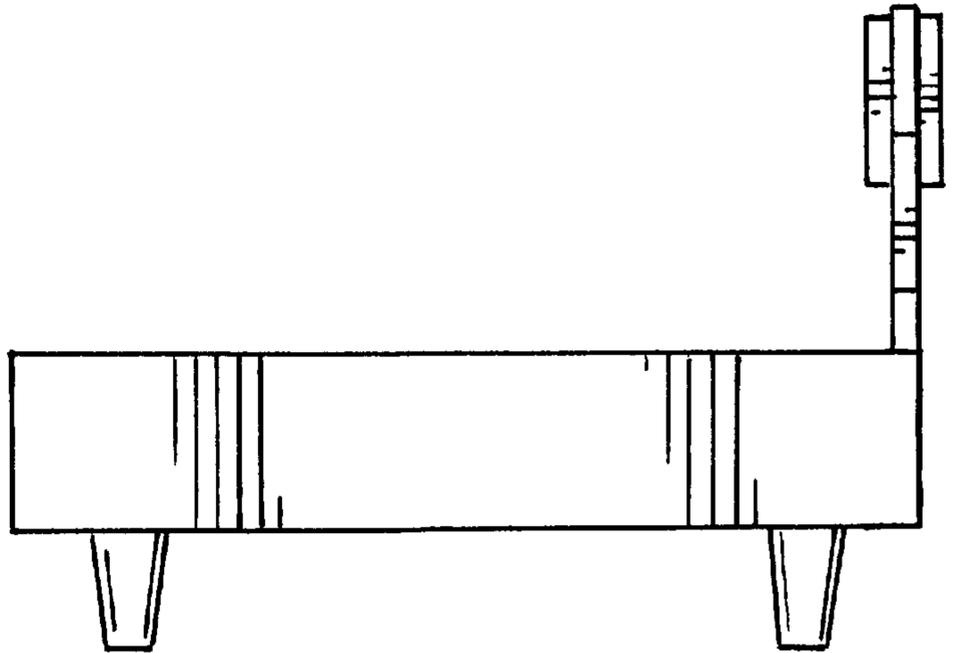


Fig-4

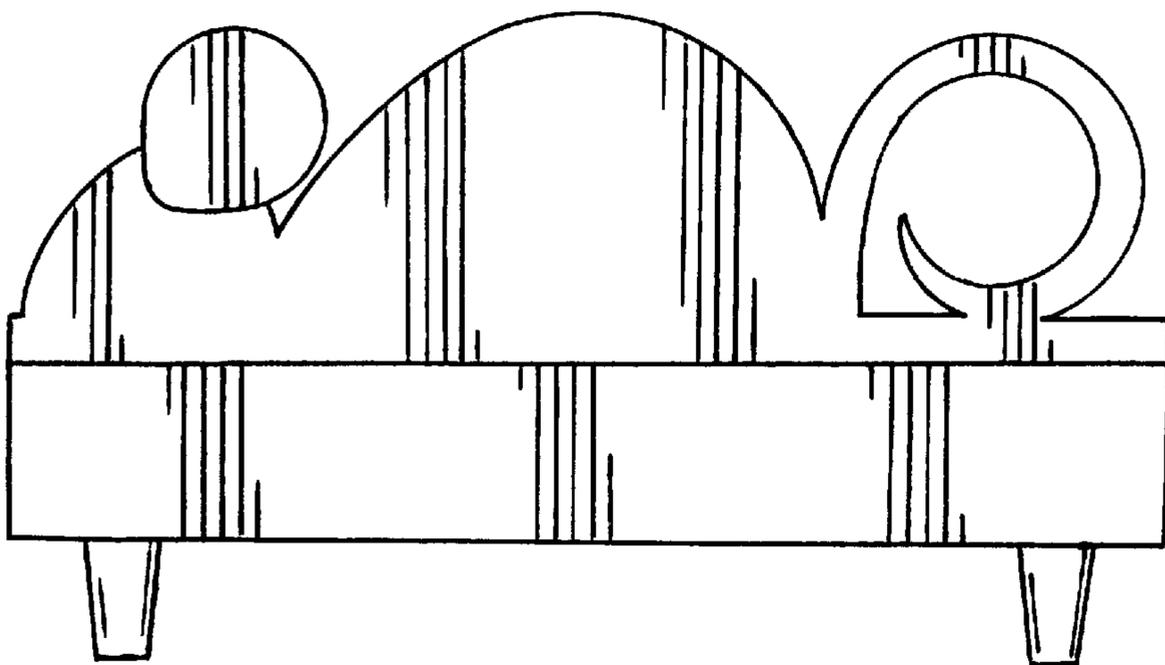


Fig-5