



US00D465069S

(12) **United States Design Patent**
Criddell

(10) **Patent No.:** **US D465,069 S**

(45) **Date of Patent:** **** Oct. 29, 2002**

(54) **INFANT KNEE PROTECTION PAD**

D344,609 S * 2/1994 Lapin D29/121.1
D417,037 S * 11/1999 Bitter D29/121.1

(76) Inventor: **Vernon Criddell**, 1747 E. James Pl.,
Pomona, CA (US) 91767

* cited by examiner

(**) Term: **14 Years**

Primary Examiner—Lucy Lieberman

(74) *Attorney, Agent, or Firm*—Goldstein & Lavas, P.C.

(21) Appl. No.: **29/159,090**

(57) **CLAIM**

(22) Filed: **Apr. 12, 2002**

The ornamental design for an infant knee protection pad, as shown and described.

(51) **LOC (7) Cl.** **29-02**

DESCRIPTION

(52) **U.S. Cl.** **D29/121.1**

(58) **Field of Search** D29/100, 120.1,
D29/121.1, 121.2, 122; D24/190; D2/901;
2/22, 23, 24, 62, 911, 16, 267; 128/882,
892

FIG. 1 is a perspective view of an infant knee protection pad.

FIG. 2 is a front elevational view thereof.

FIG. 3 is a rear elevational view thereof.

FIG. 4 is a left side elevational view thereof.

FIG. 5 is a right side elevational view thereof.

FIG. 6 is a top plan view of the infant knee protection pad;
and,

FIG. 7 is a bottom plan view thereof.

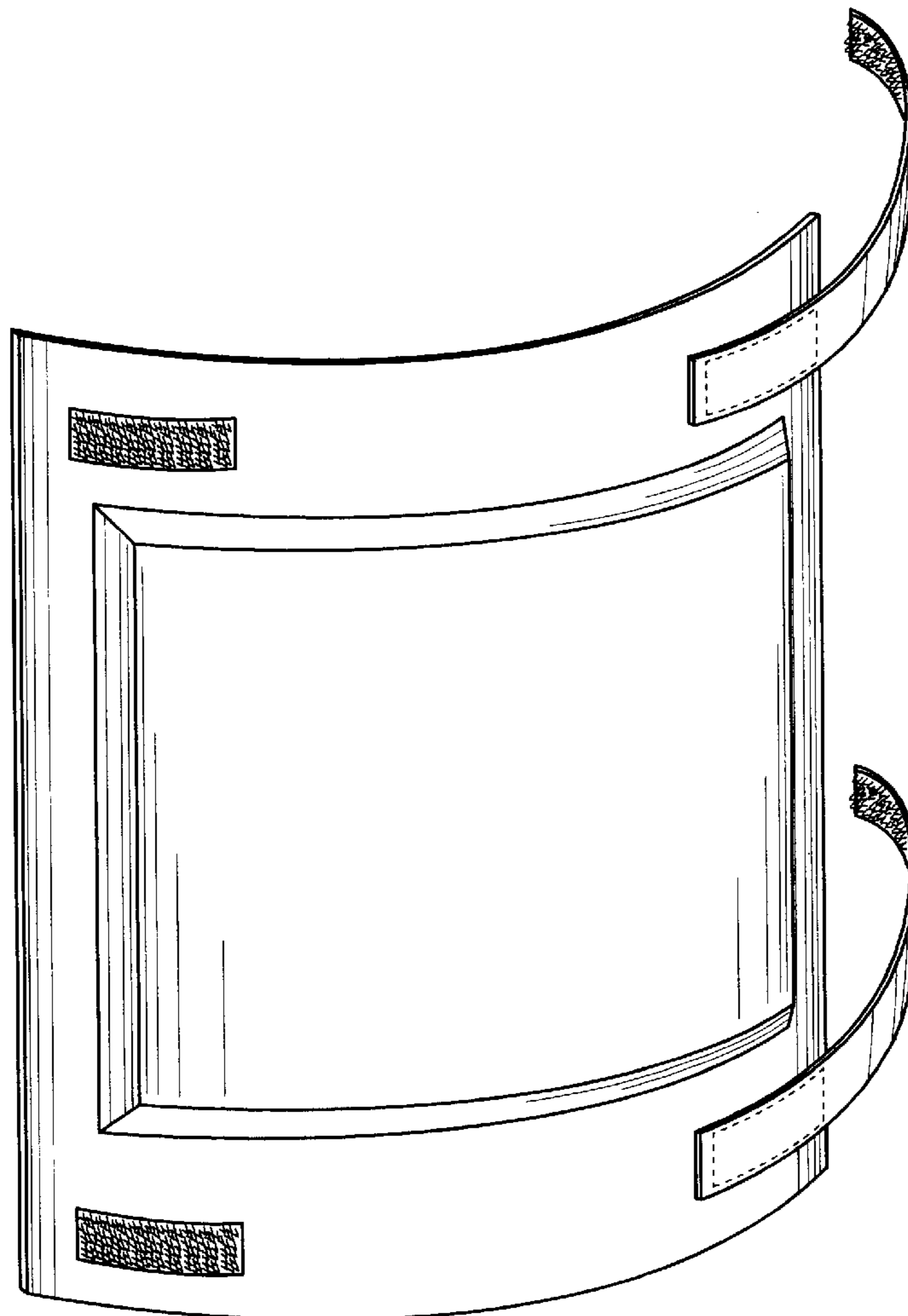
The dashed lines shown in FIGS. 1, 2 and 3 represent stitching.

(56) **References Cited**

U.S. PATENT DOCUMENTS

2,650,362 A * 9/1953 Musgrave 2/24
3,346,877 A * 10/1967 Zirves 2/24
3,548,420 A * 12/1970 Spence 128/892
D334,827 S * 4/1993 Brown D29/121.1

1 Claim, 3 Drawing Sheets



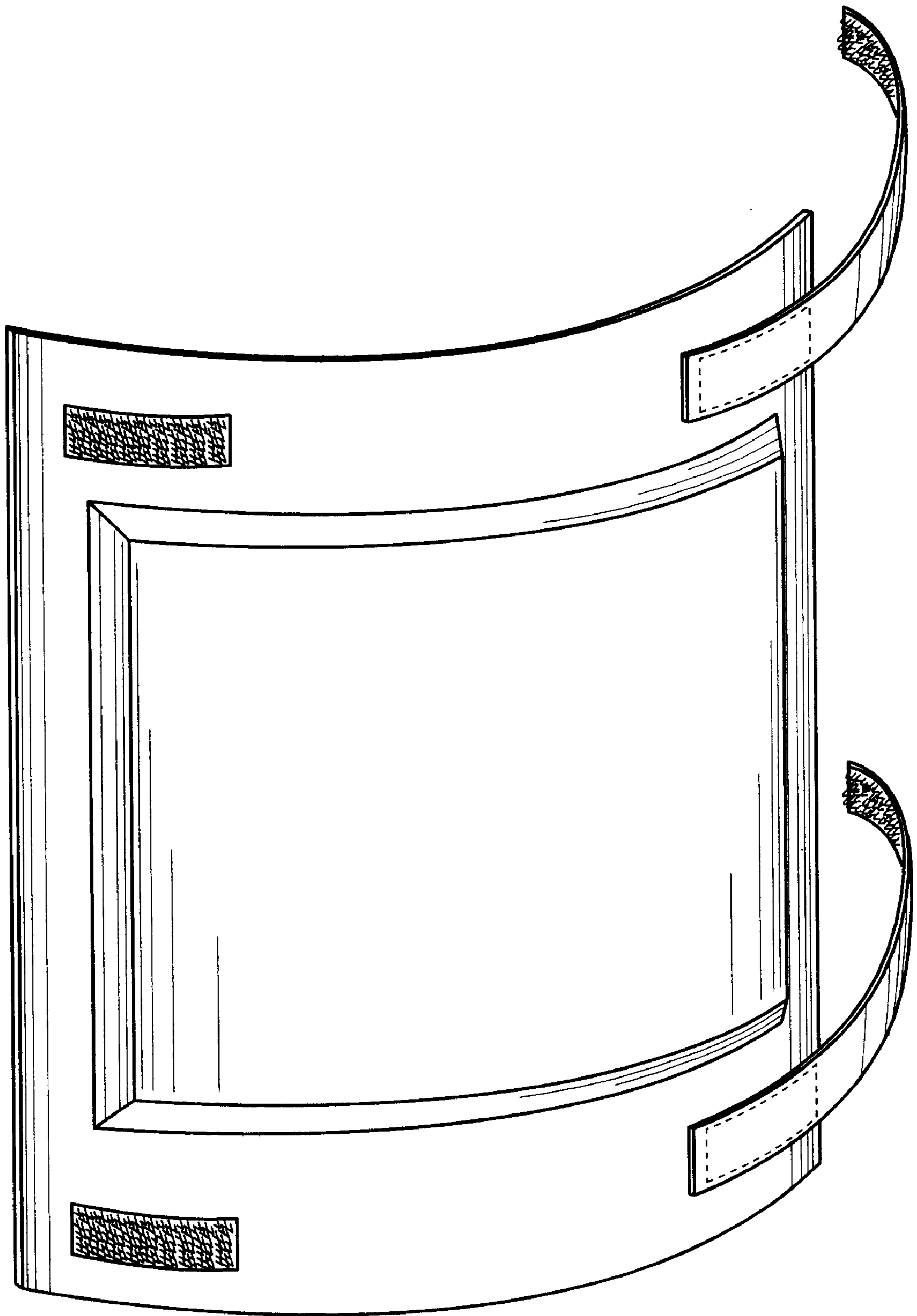


FIG. 1

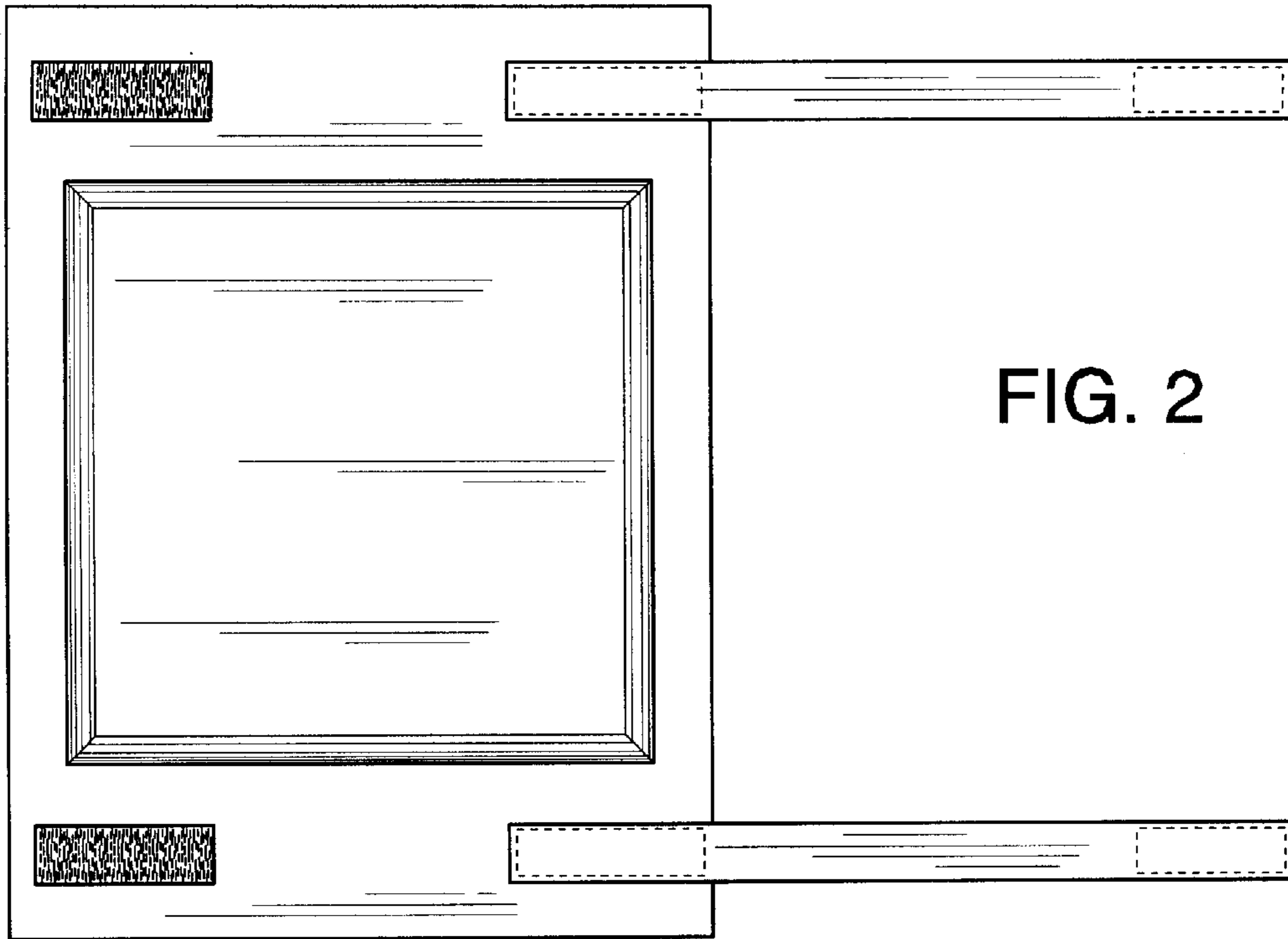


FIG. 2

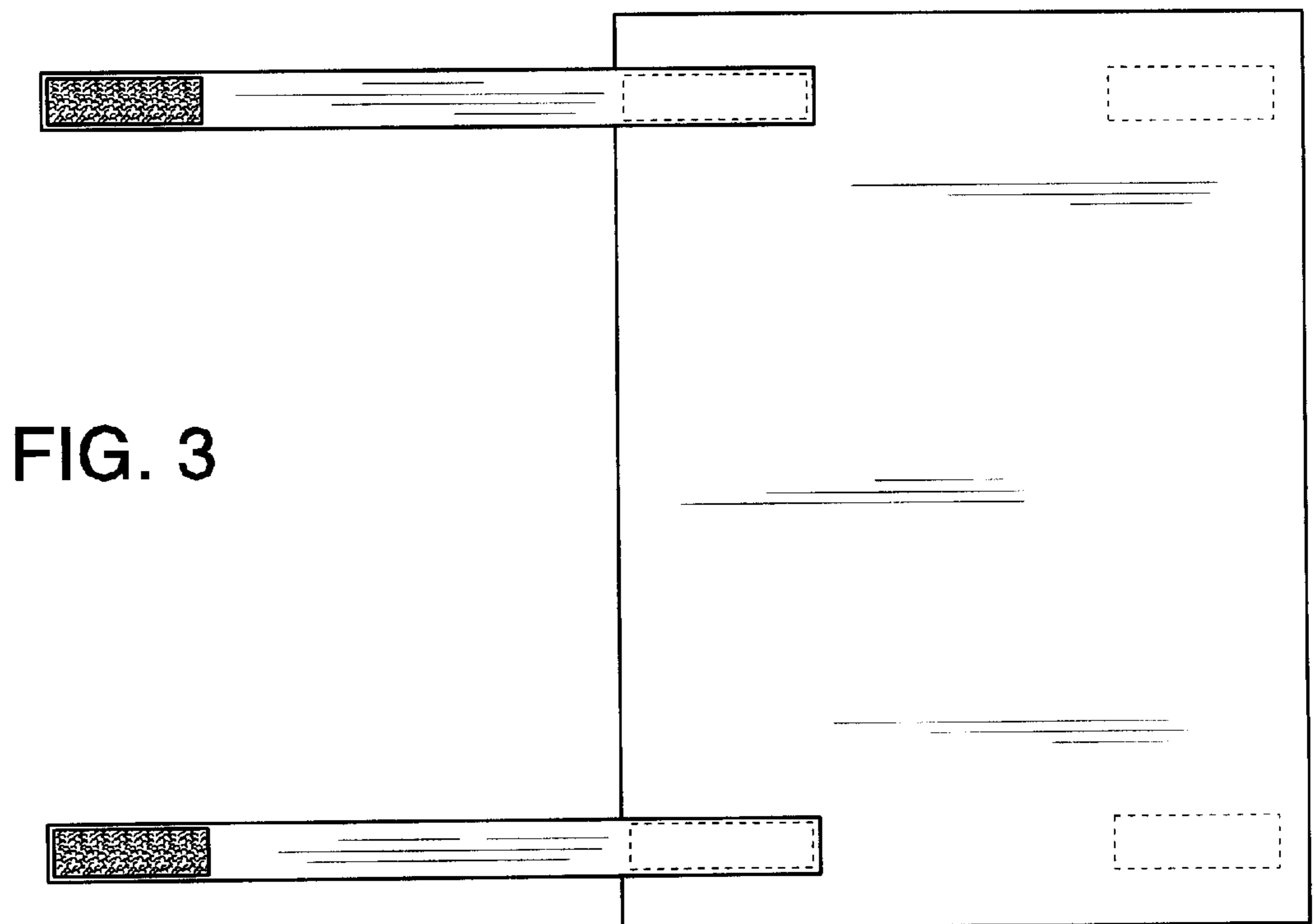


FIG. 3



FIG. 4



FIG. 5



FIG. 6



FIG. 7