



US00D465061S

(12) **United States Design Patent**  
**Guthrie**

(10) **Patent No.:** **US D465,061 S**

(45) **Date of Patent:** **\*\* Oct. 29, 2002**

(54) **SEALING RING**

D285,109 S \* 8/1986 Jornhagen ..... D23/269  
4,729,080 A \* 3/1988 Fremont et al. .... 362/365  
5,373,431 A \* 12/1994 Hayman et al. .... 362/365

(75) Inventor: **Ian Guthrie**, Victoria (AU)

(73) Assignee: **Spa Electrics Pty. Ltd.**, Noble Park (AU)

\* cited by examiner

(\*\*) Term: **14 Years**

*Primary Examiner*—Jennifer Rivard  
(74) *Attorney, Agent, or Firm*—Christie, Parker & Hale, LLP

(21) Appl. No.: **29/138,683**

(22) Filed: **Mar. 15, 2001**

(57) **CLAIM**

(30) **Foreign Application Priority Data**

Sep. 15, 2000 (AU) ..... 2997/00

The ornamental design for sealing ring, as shown and described.

(51) **LOC (7) Cl.** ..... **26-99**

**DESCRIPTION**

(52) **U.S. Cl.** ..... **D26/138**; D23/269

FIG. 1 is a right perspective view of the sealing ring;

(58) **Field of Search** ..... 362/145, 147, 362/404, 408, 267, 364, 365; D26/113, 138, 142, 152; D23/269

FIG. 2 is a left perspective view thereof;

FIG. 3 is a right elevation view thereof;

FIG. 4 is a left elevation view thereof; and,

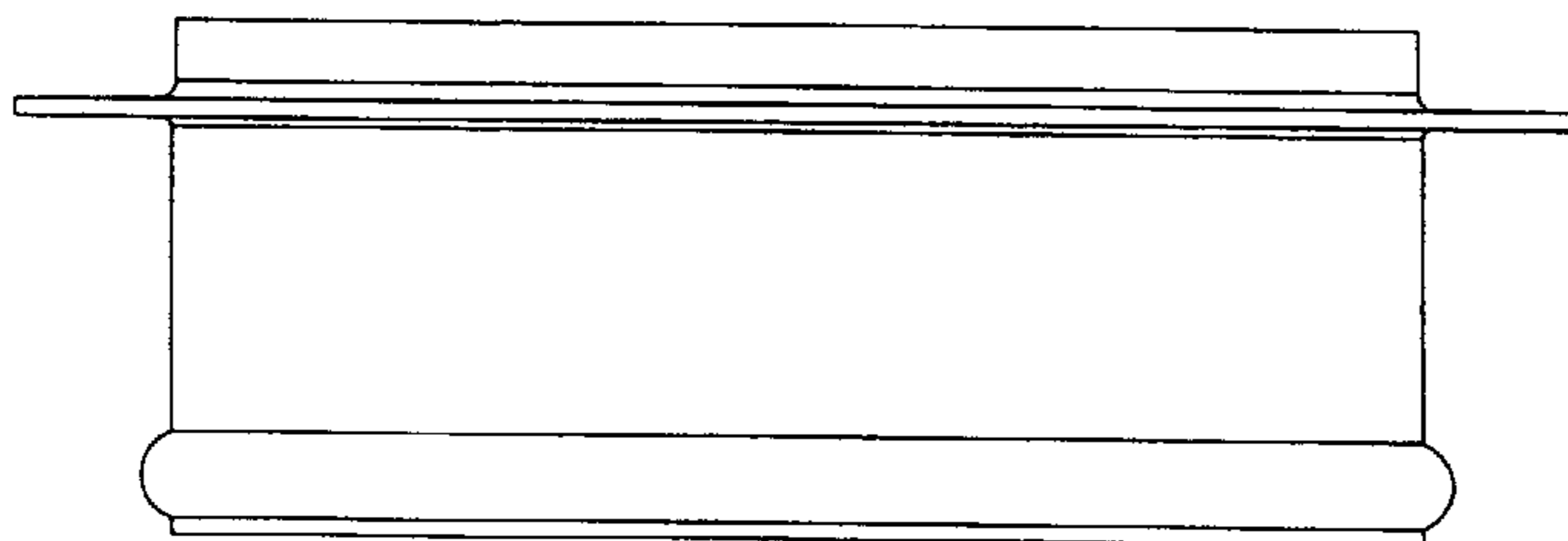
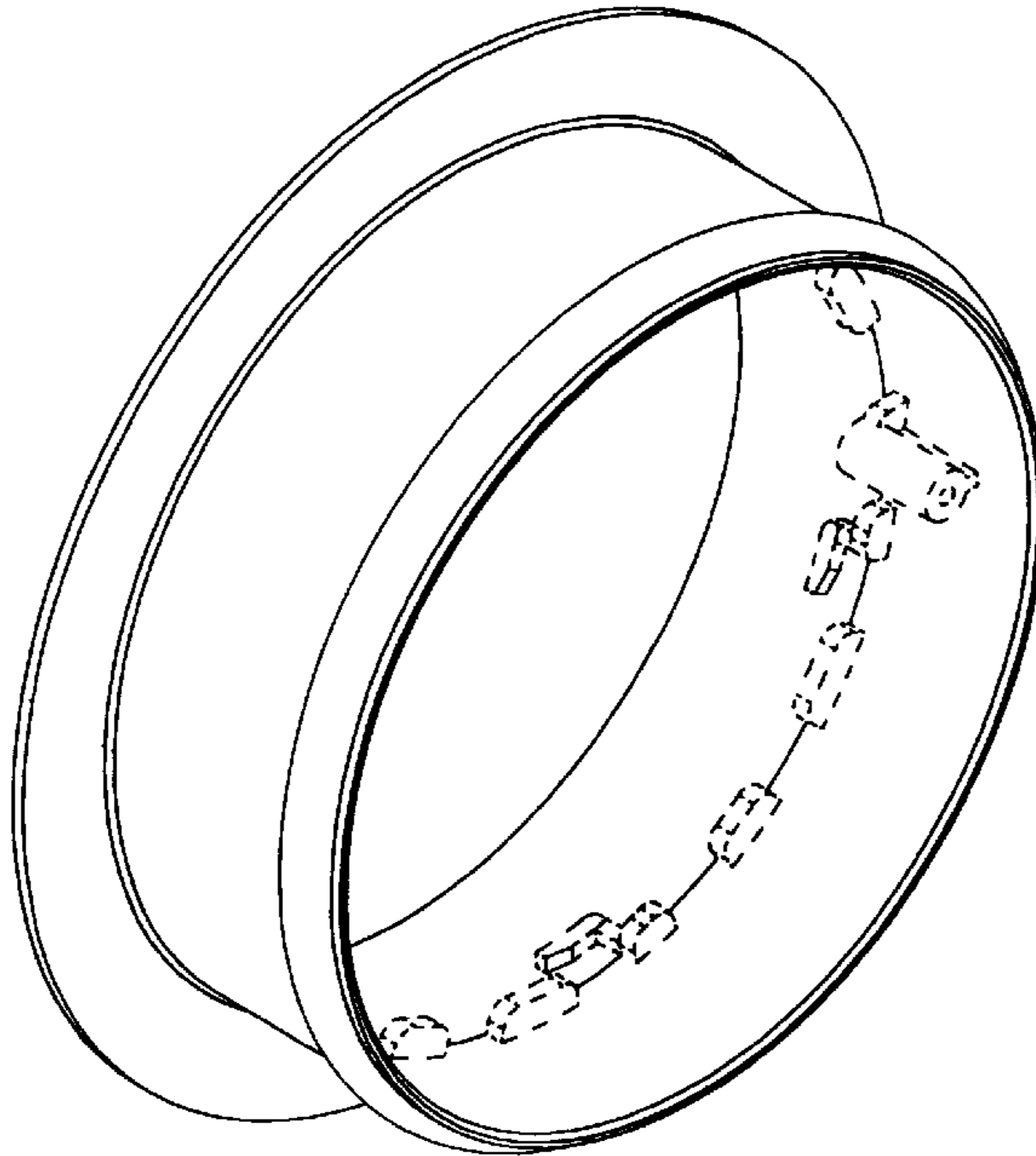
FIG. 5 is a side elevation view thereof.

(56) **References Cited**

**U.S. PATENT DOCUMENTS**

4,274,615 A \* 6/1981 Chan et al. .... 362/365

**1 Claim, 2 Drawing Sheets**



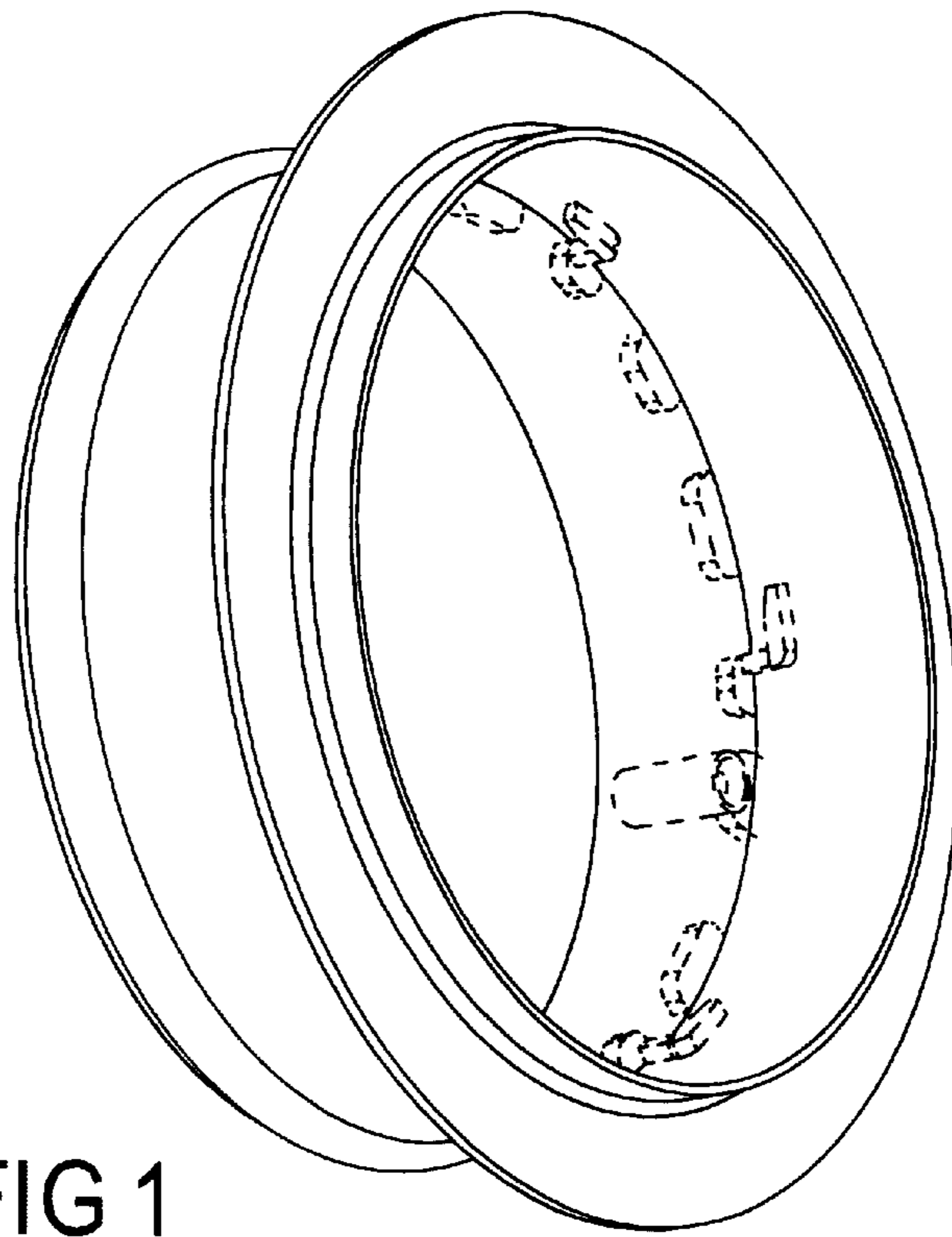


FIG 1

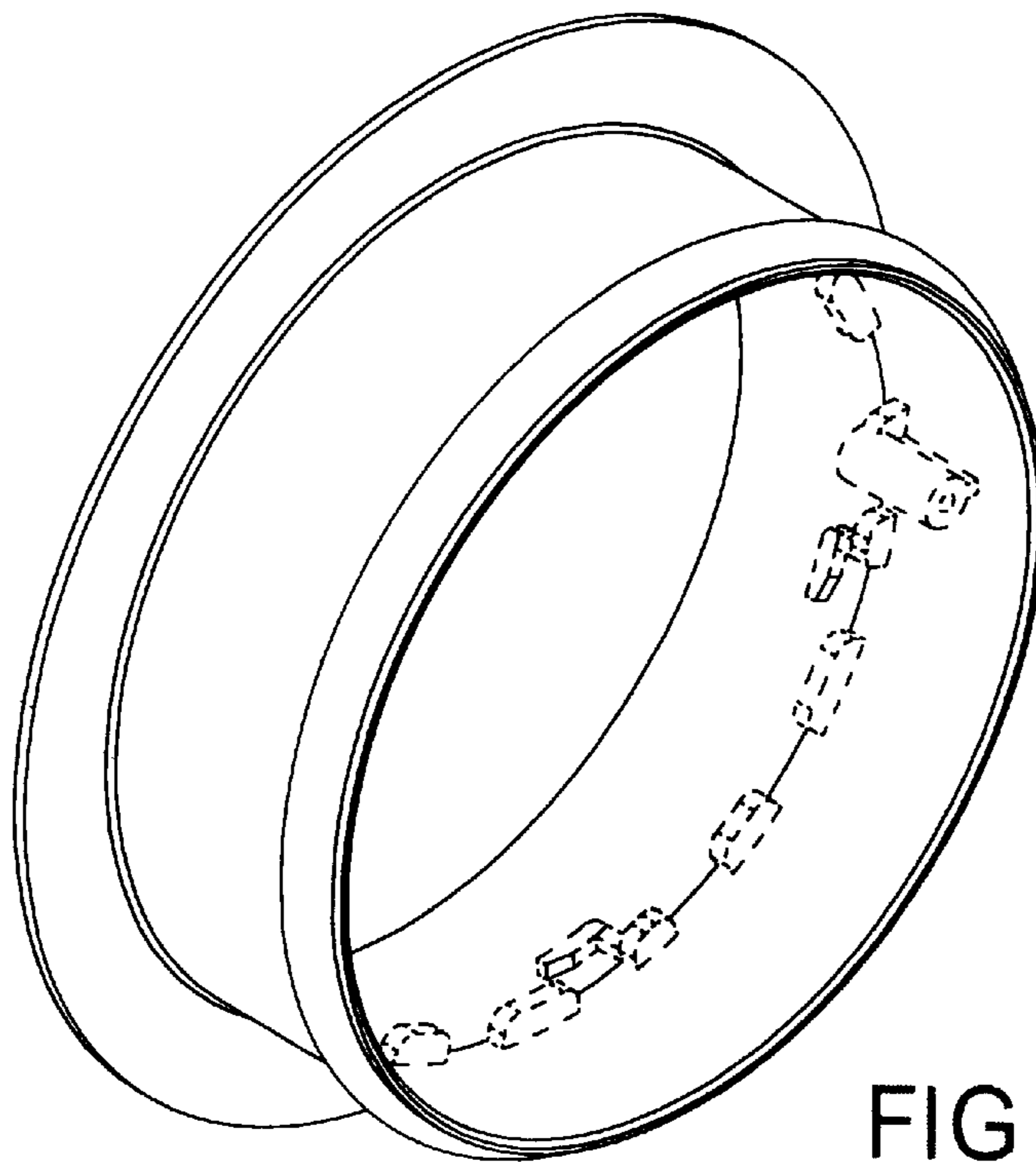


FIG 2

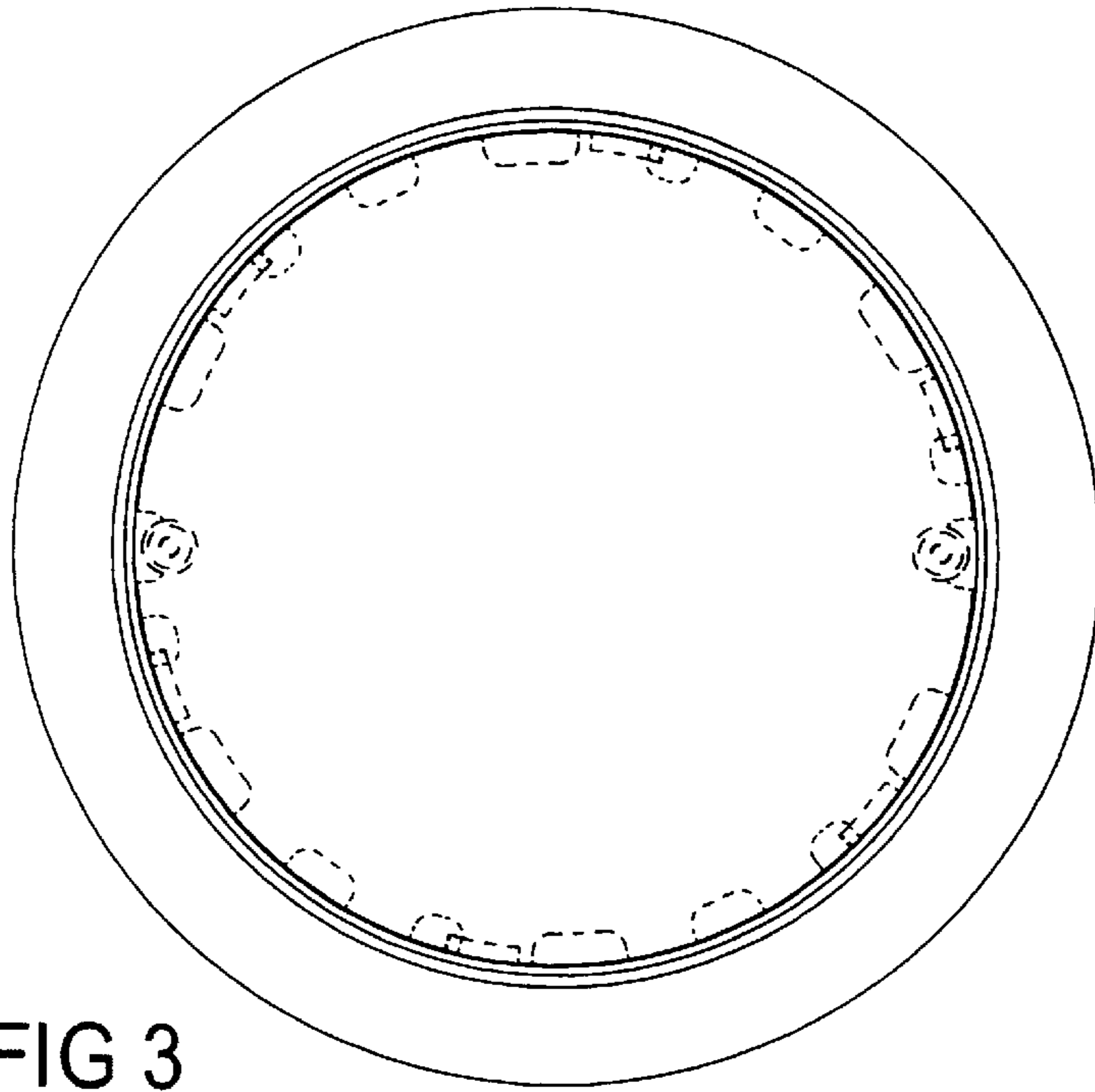


FIG 3

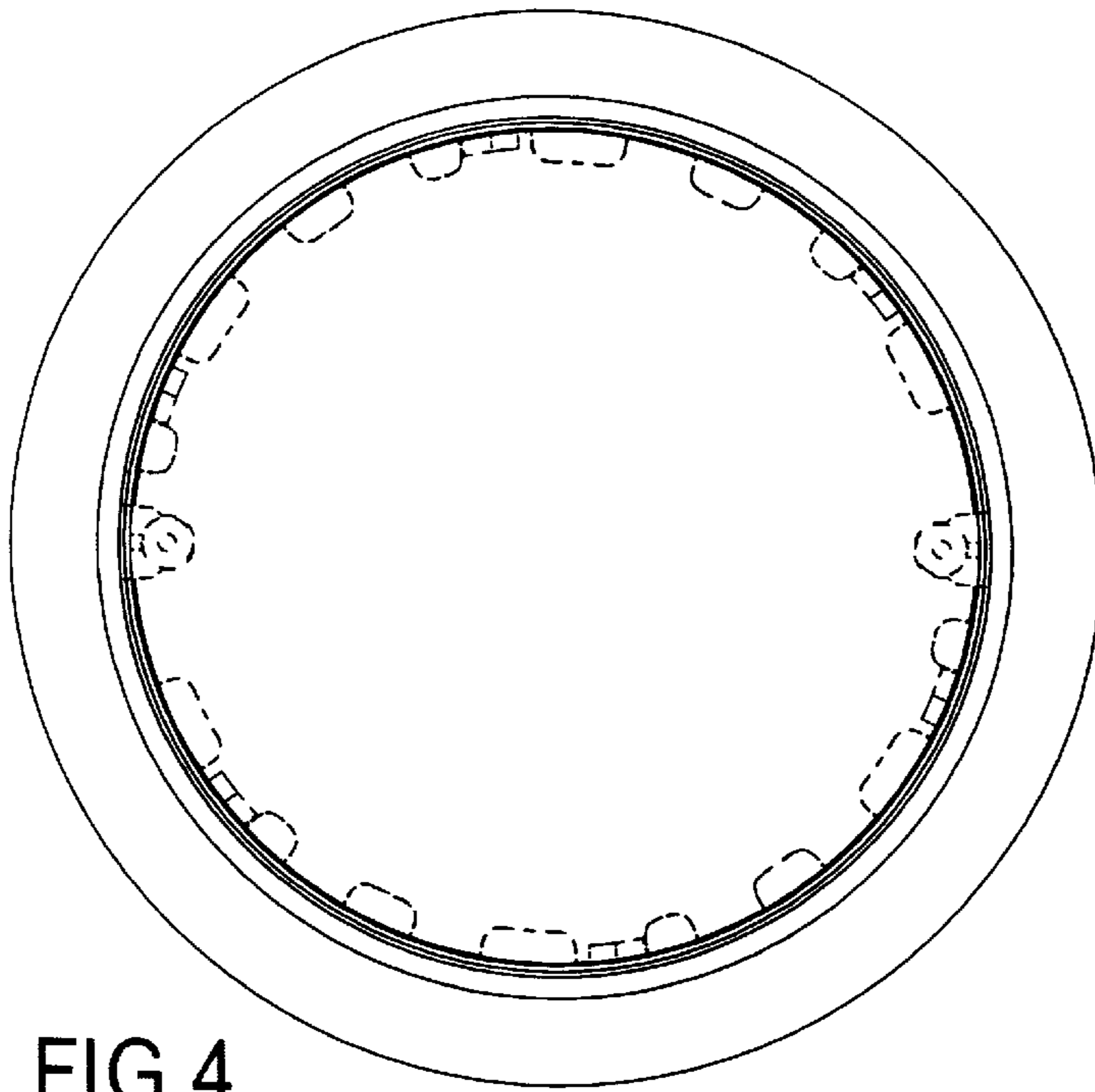


FIG 4

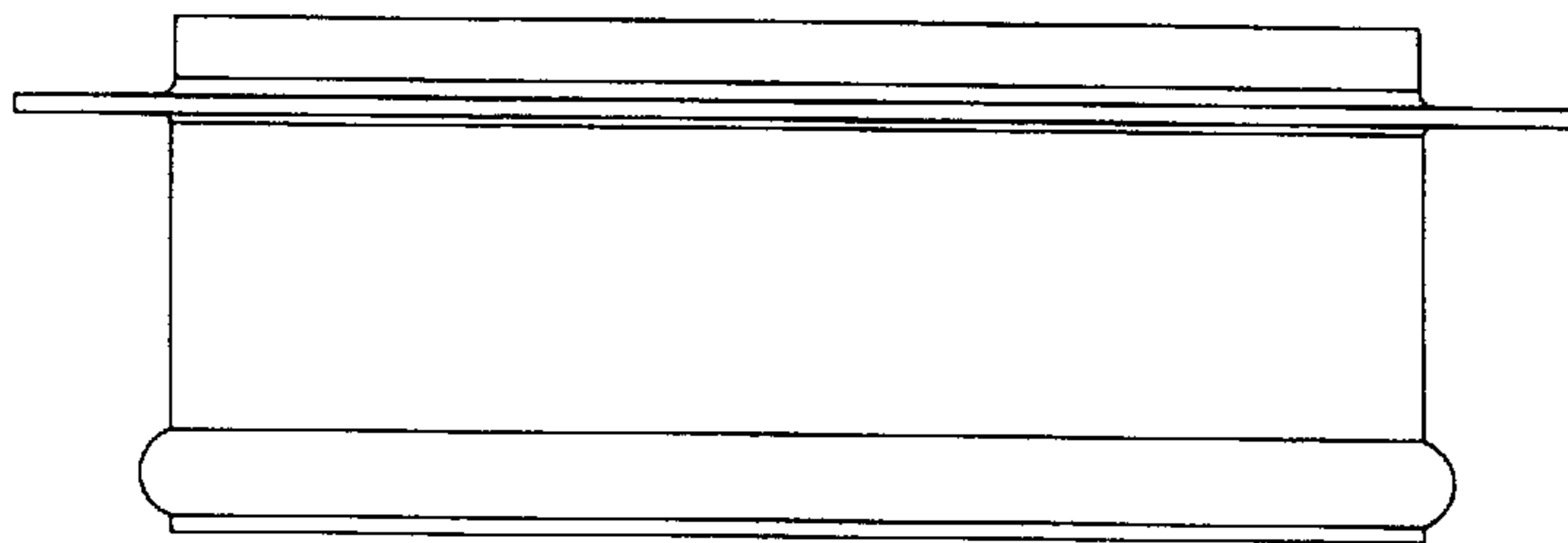


FIG 5