



US00D465058S

(12) **United States Design Patent**
Mitani

(10) **Patent No.:** **US D465,058 S**

(45) **Date of Patent:** **** Oct. 29, 2002**

(54) **TABLE LAMP**

(76) Inventor: **Shigeto Mitani**, 14851 Jeffrey Rd. #60,
Irvine, CA (US) 92618

(**) Term: **14 Years**

(21) Appl. No.: **29/149,063**

(22) Filed: **Oct. 2, 2001**

(51) **LOC (7) Cl.** **26-03**

(52) **U.S. Cl.** **D26/104**

(58) **Field of Search** D26/67-71, 93-112;
362/410-414, 147, 157, 404-408, 431,
432, 367

(56) **References Cited**

U.S. PATENT DOCUMENTS

D176,082 S * 11/1955 Puzey et al. D26/106
D193,904 S * 10/1962 Bloomfield et al. D26/108

* cited by examiner

Primary Examiner—Alan P. Douglas

Assistant Examiner—Linda Brooks

(74) *Attorney, Agent, or Firm*—Vladimir Khiterer

(57) **CLAIM**

The ornamental design for a table lamp, as shown and described.

DESCRIPTION

FIG. 1 is a perspective view of a table lamp;

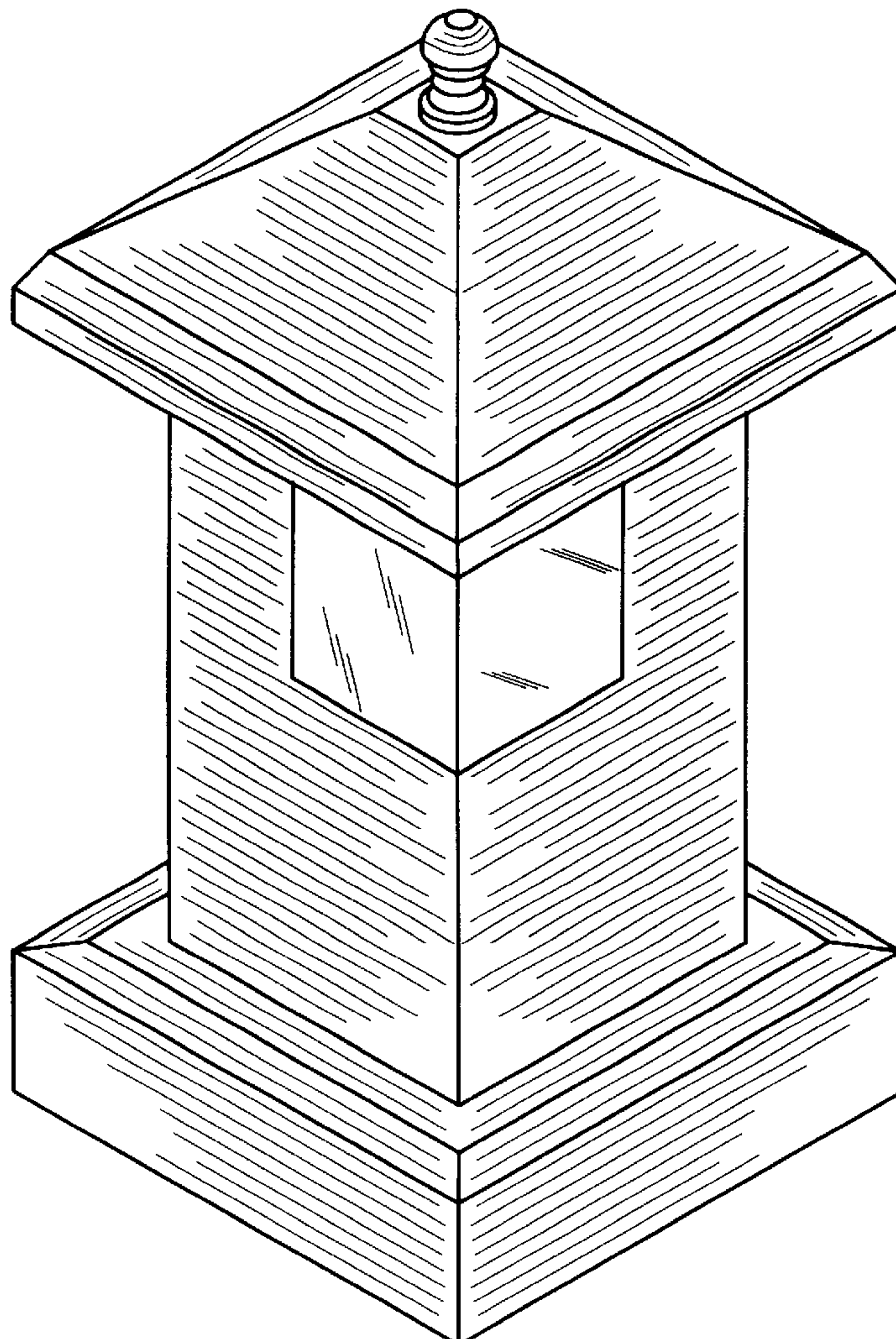
FIG. 2 is a front elevational view thereof, a right side elevational view thereof being a mirror image of the front elevational view shown in FIG. 2;

FIG. 3 is a left side elevational view thereof, a back elevational view thereof being a mirror image of the left side elevational view shown in FIG. 3; and,

FIG. 4 is a top plan view thereof.

The appearance of the bottom forms no part of the claimed design.

1 Claim, 4 Drawing Sheets



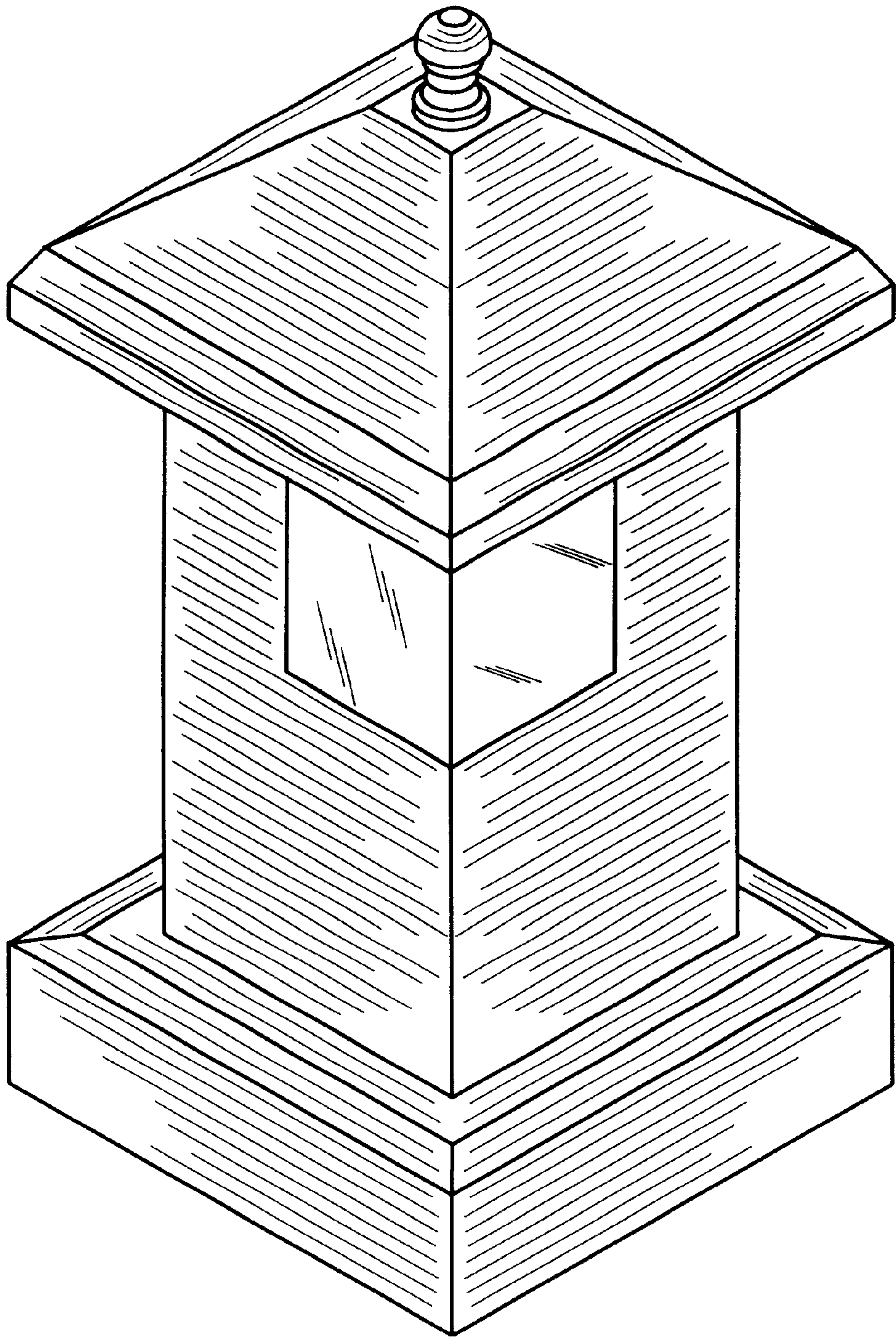


FIG.1

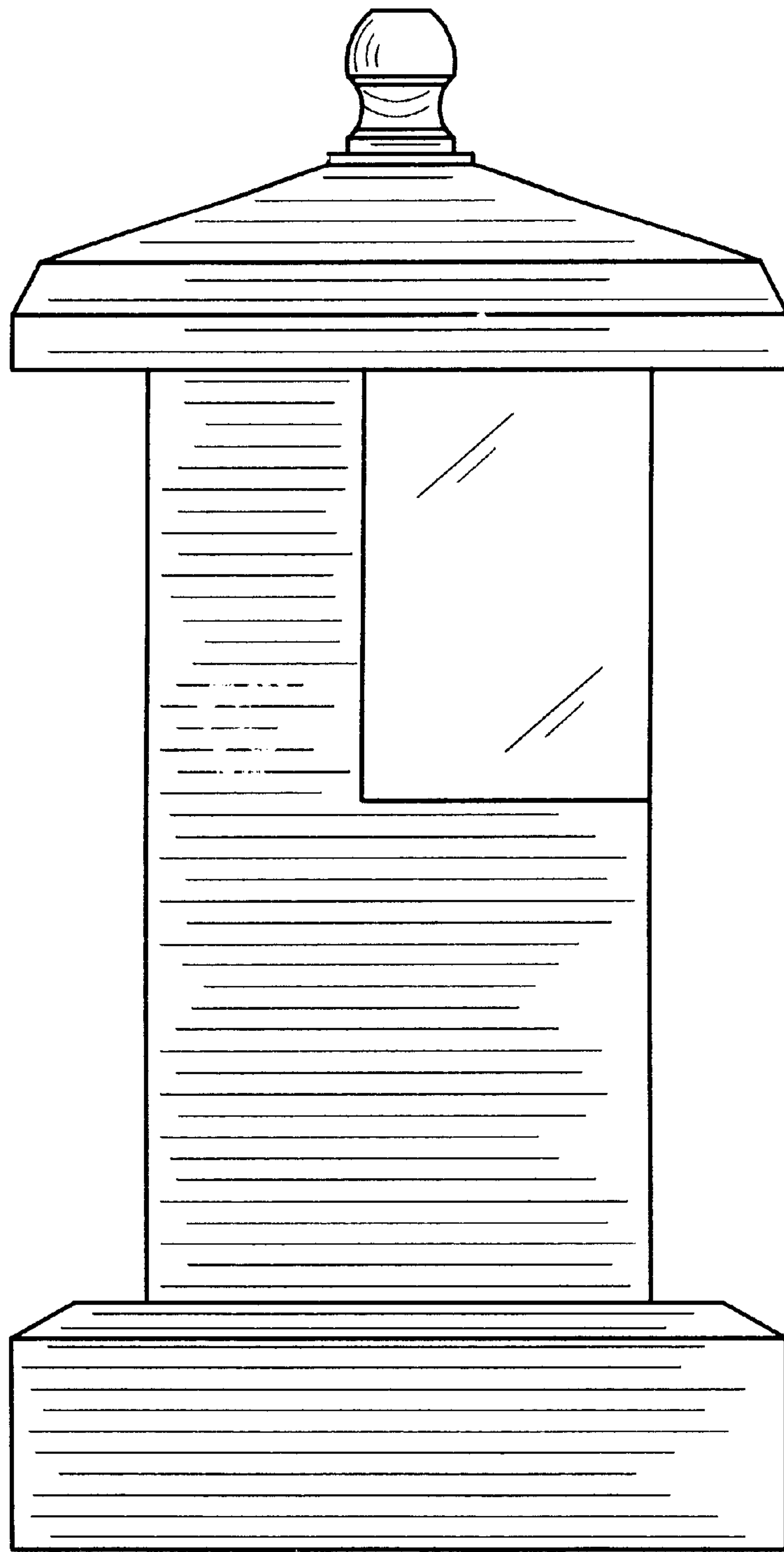


FIG. 2

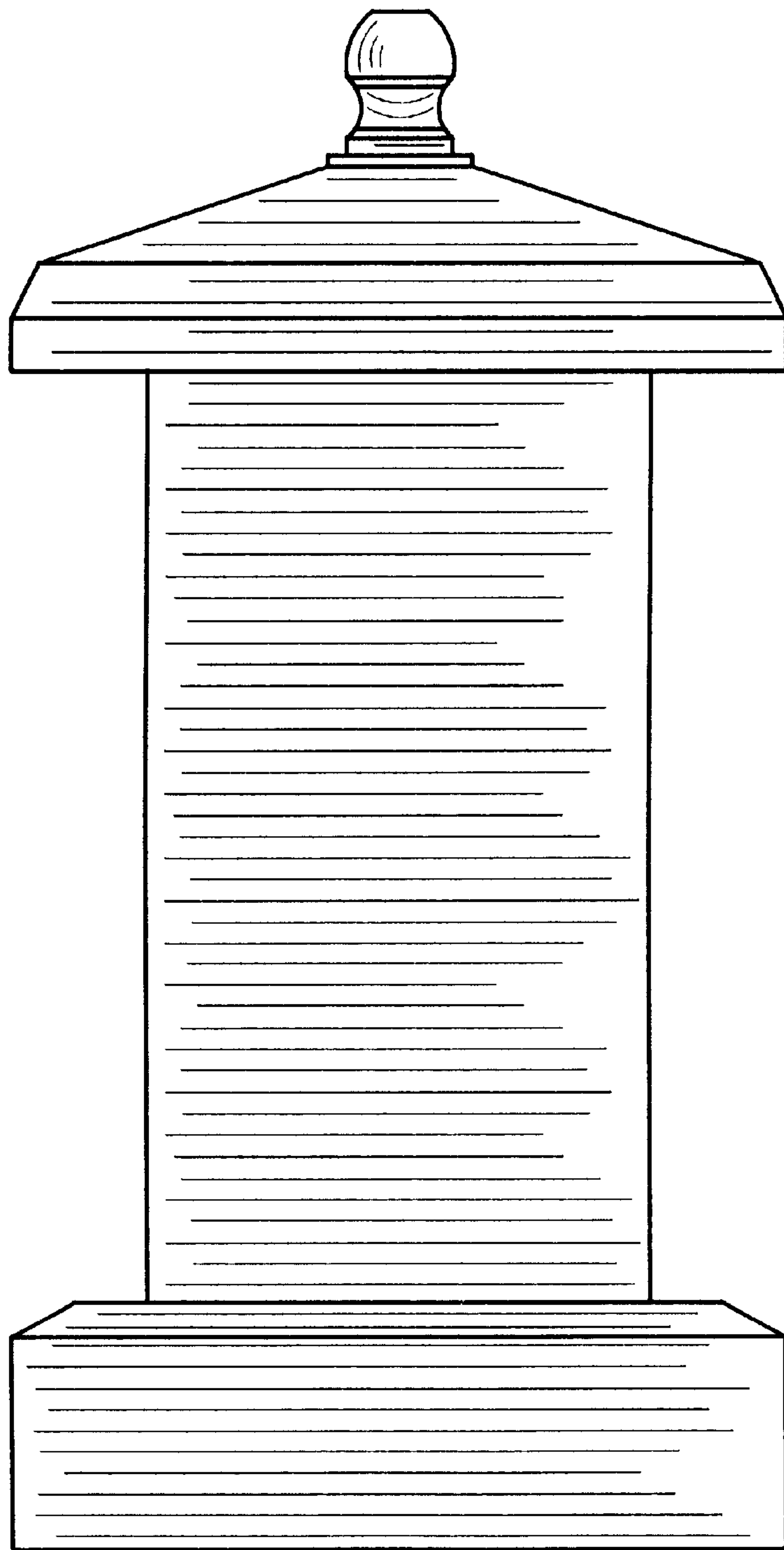


FIG.3

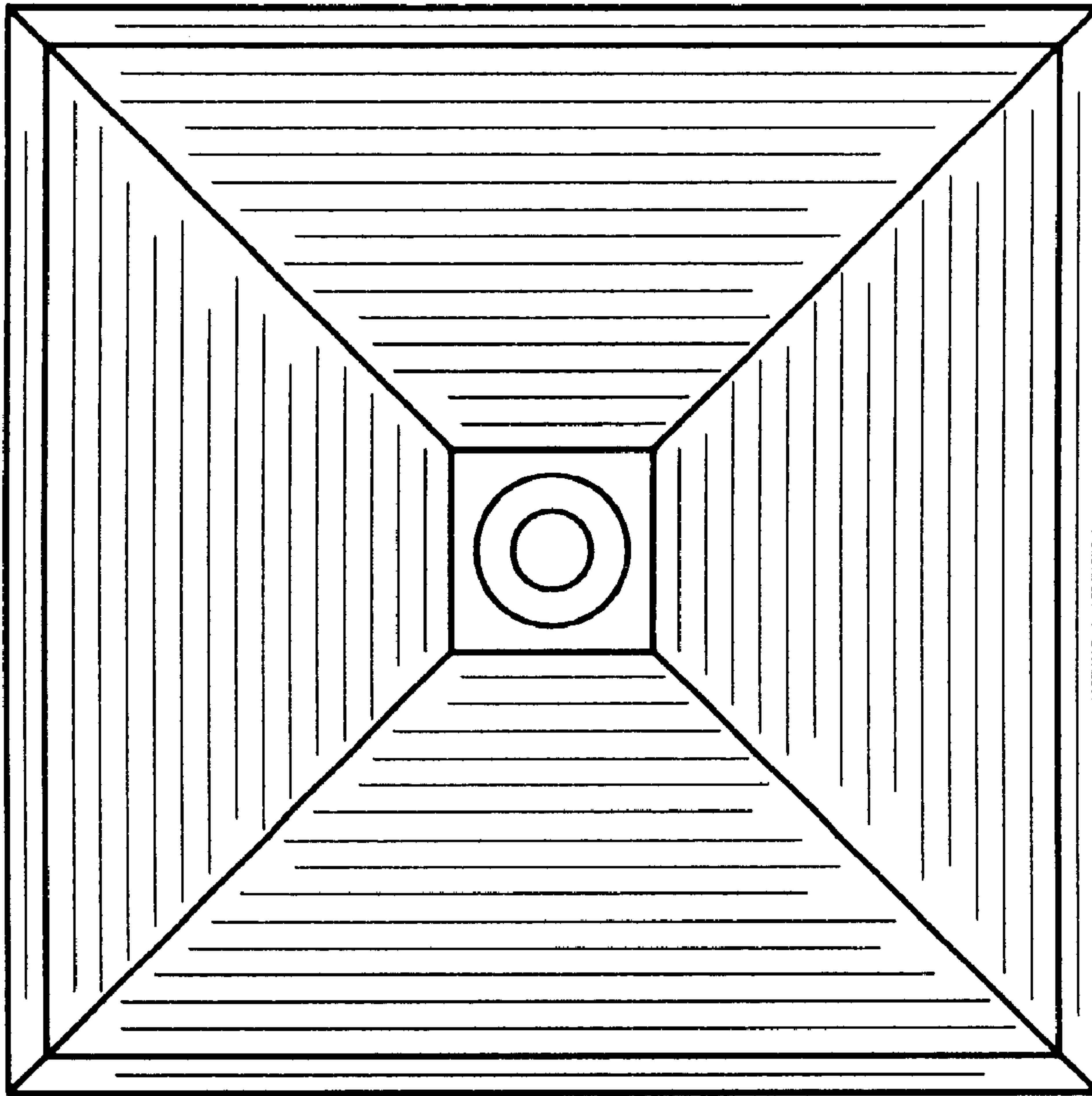


FIG.4