



US00D465051S

(12) **United States Design Patent**
Willmorth

(10) **Patent No.:** **US D465,051 S**

(45) **Date of Patent:** **** Oct. 29, 2002**

(54) **SQUARE WALL-MOUNTED LUMINAIRE**

(75) **Inventor:** **Kevin Willmorth**, Chino Hill, CA (US)

(73) **Assignee:** **Kim Lighting Inc.**, City of Industry, CA (US)

(**) **Term:** **14 Years**

(21) **Appl. No.:** **29/141,360**

(22) **Filed:** **May 3, 2001**

(51) **LOC (7) Cl.** **26-03**

(52) **U.S. Cl.** **D26/85**

(58) **Field of Search** D26/72-79, 80-83,
D26/85-92, 128, 135, 136; 362/147, 404-408,
432, 182, 362, 363, 351

(56) **References Cited**

U.S. PATENT DOCUMENTS

D324,112 S	*	2/1992	Kluck	D26/86
D410,553 S		6/1999	Compton		
6,053,625 A	*	4/2000	Bowker	362/348
D444,903 S	*	7/2001	Wang	D26/85

OTHER PUBLICATIONS

Progress Catalog , p. 171/item# P7401.*
Lighting Design & Application/Apr. 1993/p. 12/"ZigZag"
fixture.*
CheckOLite International (c) 1993/item#9080.*

* cited by examiner

Primary Examiner—Alan P. Douglas

Assistant Examiner—Clare E. Heflin

(74) *Attorney, Agent, or Firm*—Lyon & Lyon LLP

(57) **CLAIM**

The ornamental design for a square wall-mounted luminaire, substantially as shown and described.

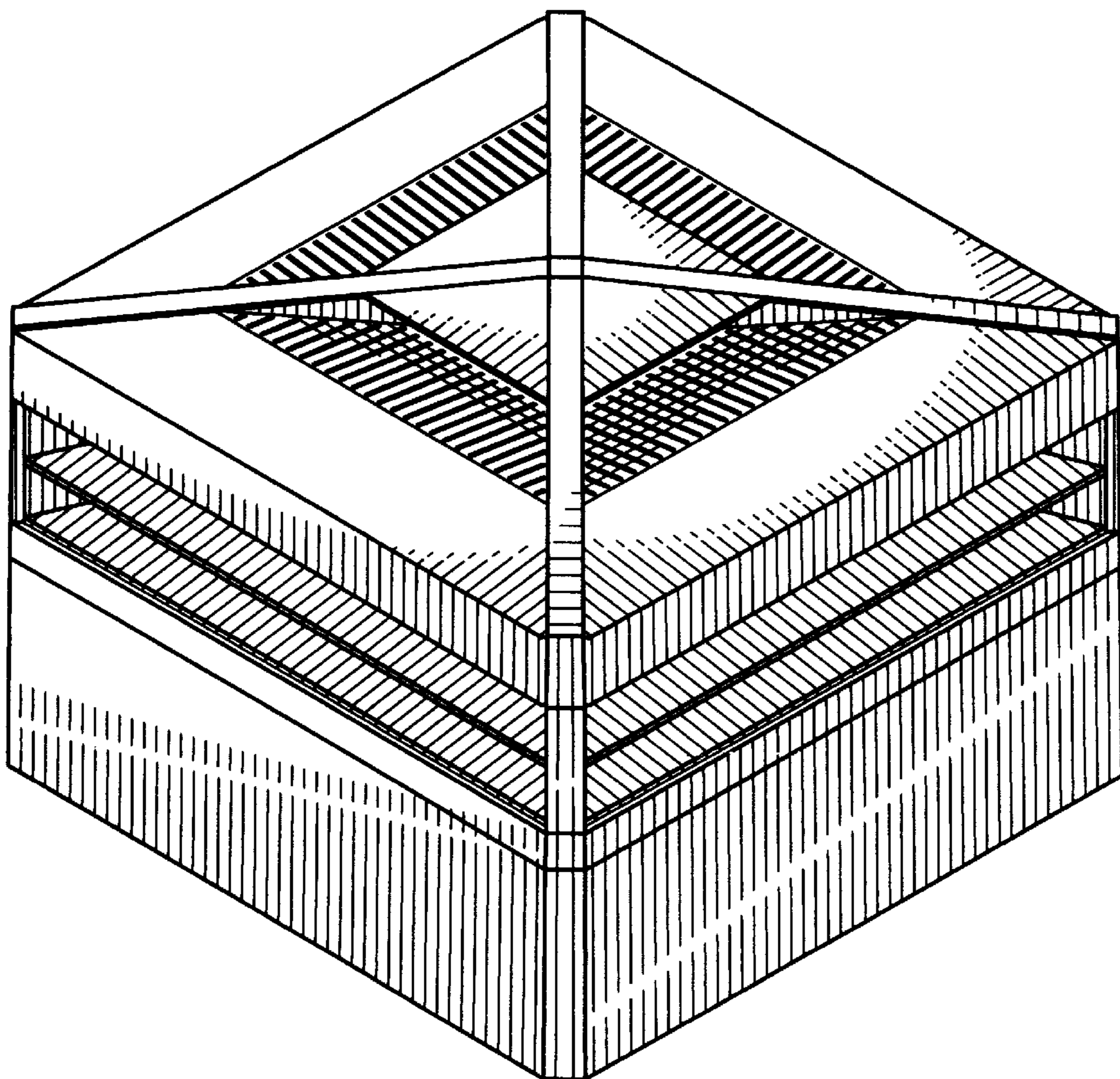
DESCRIPTION

FIGS. 1 and 3 are two side views, which are identical to each other, and the remaining two side views are likewise identical,

FIG. 2 is a front view, the back view forming no part of the present design; and,

FIG. 4 is an enlarged perspective view.

1 Claim, 2 Drawing Sheets



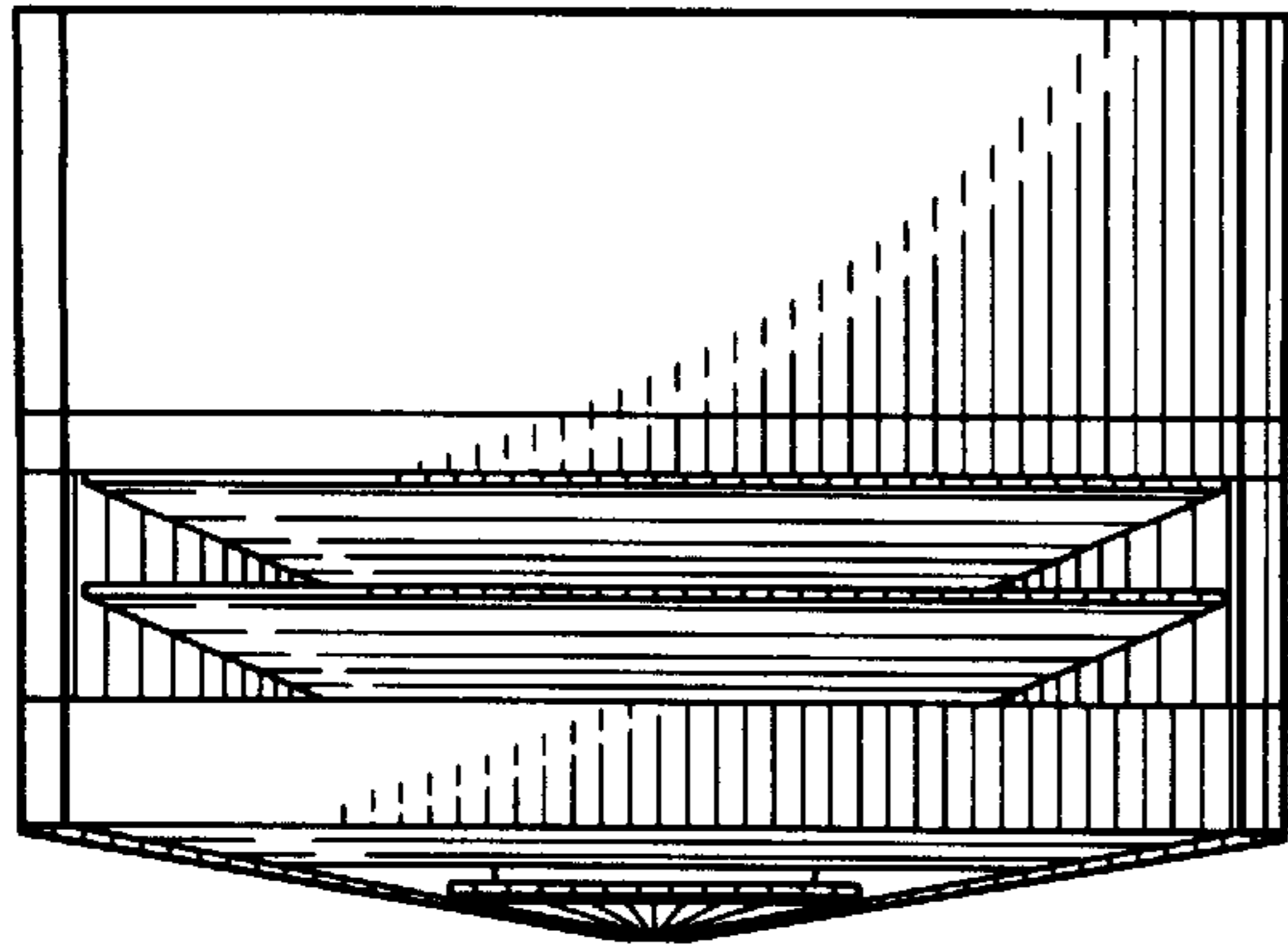


FIG. 1

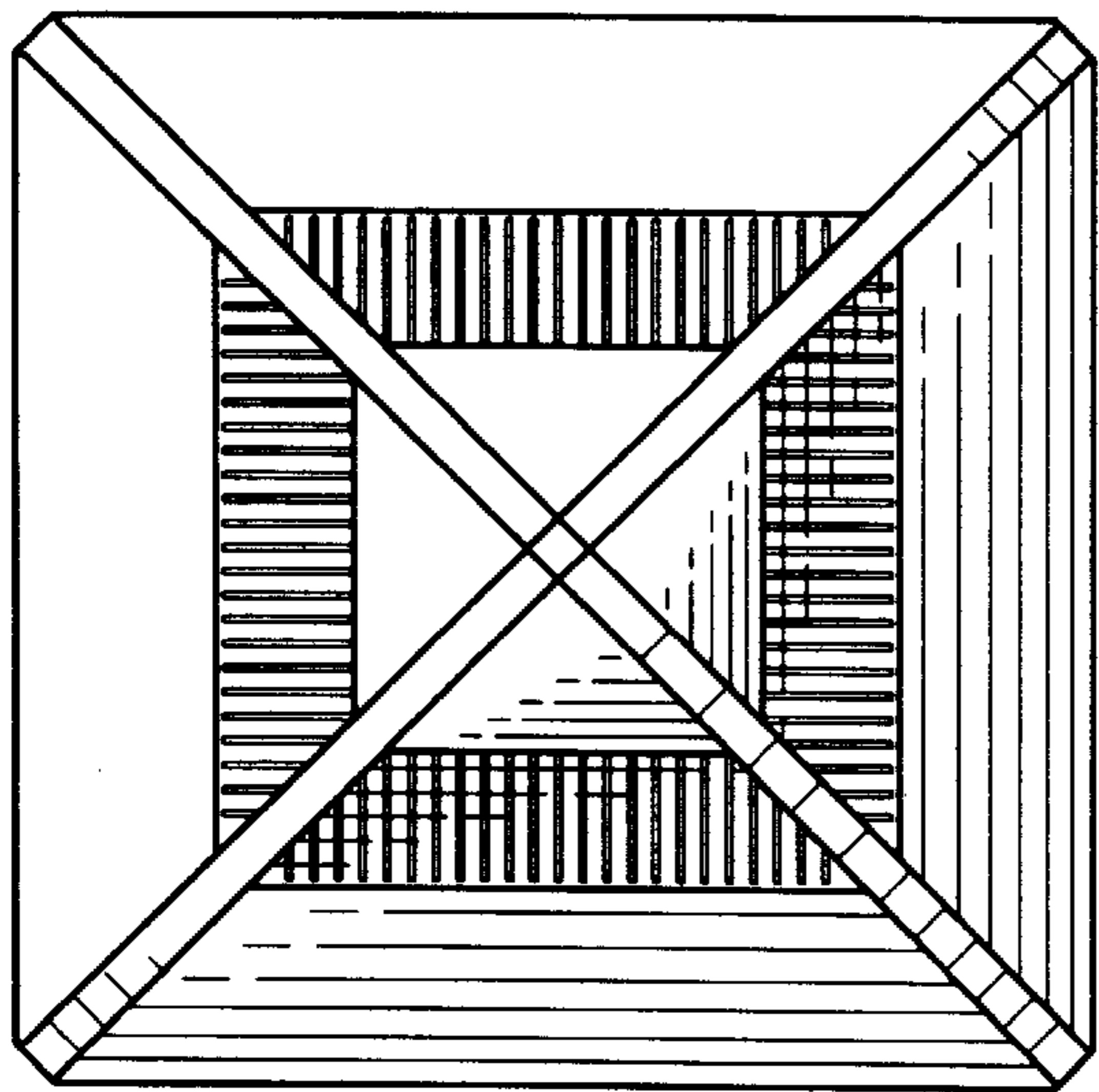


FIG. 2

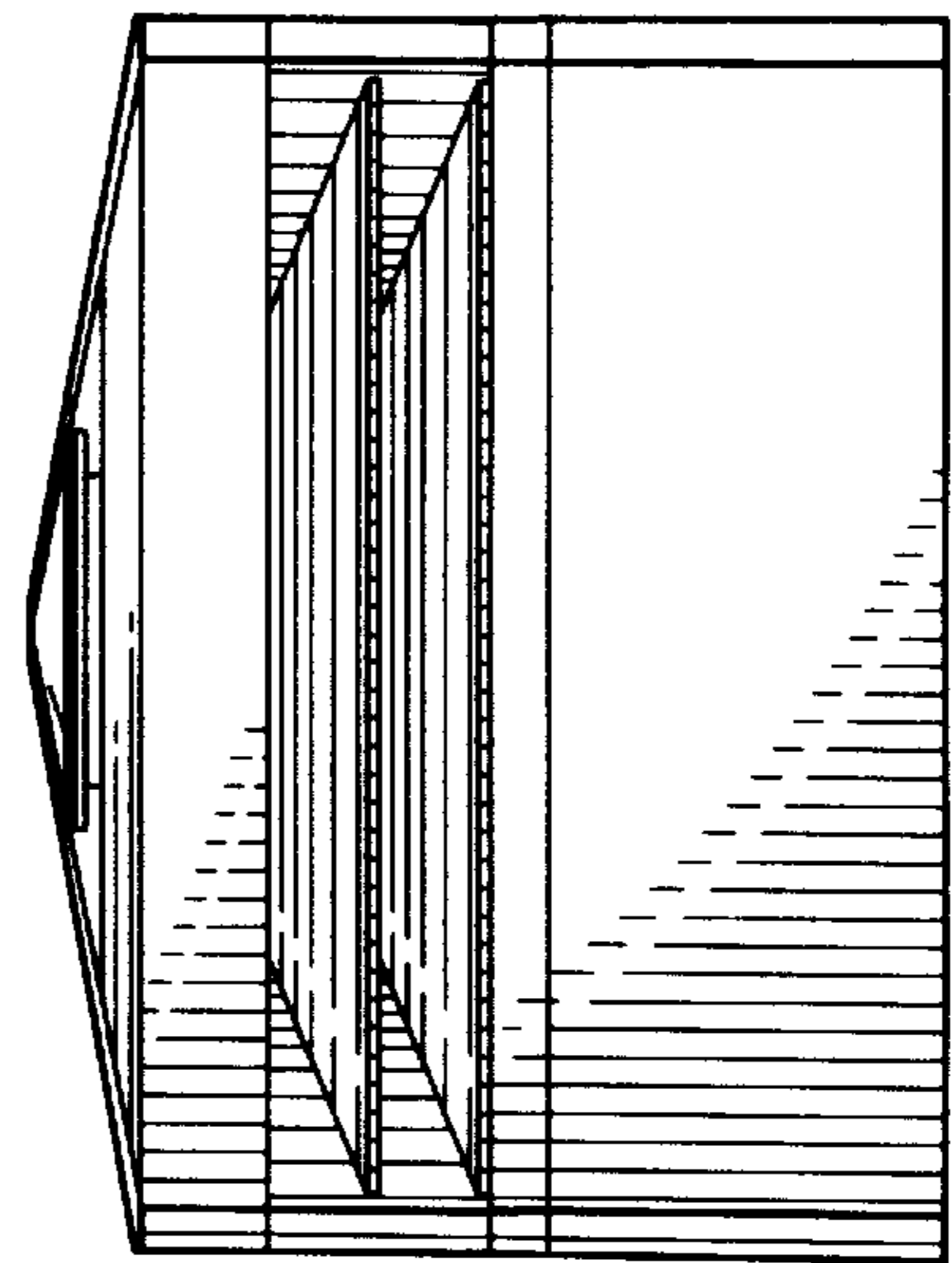


FIG. 3

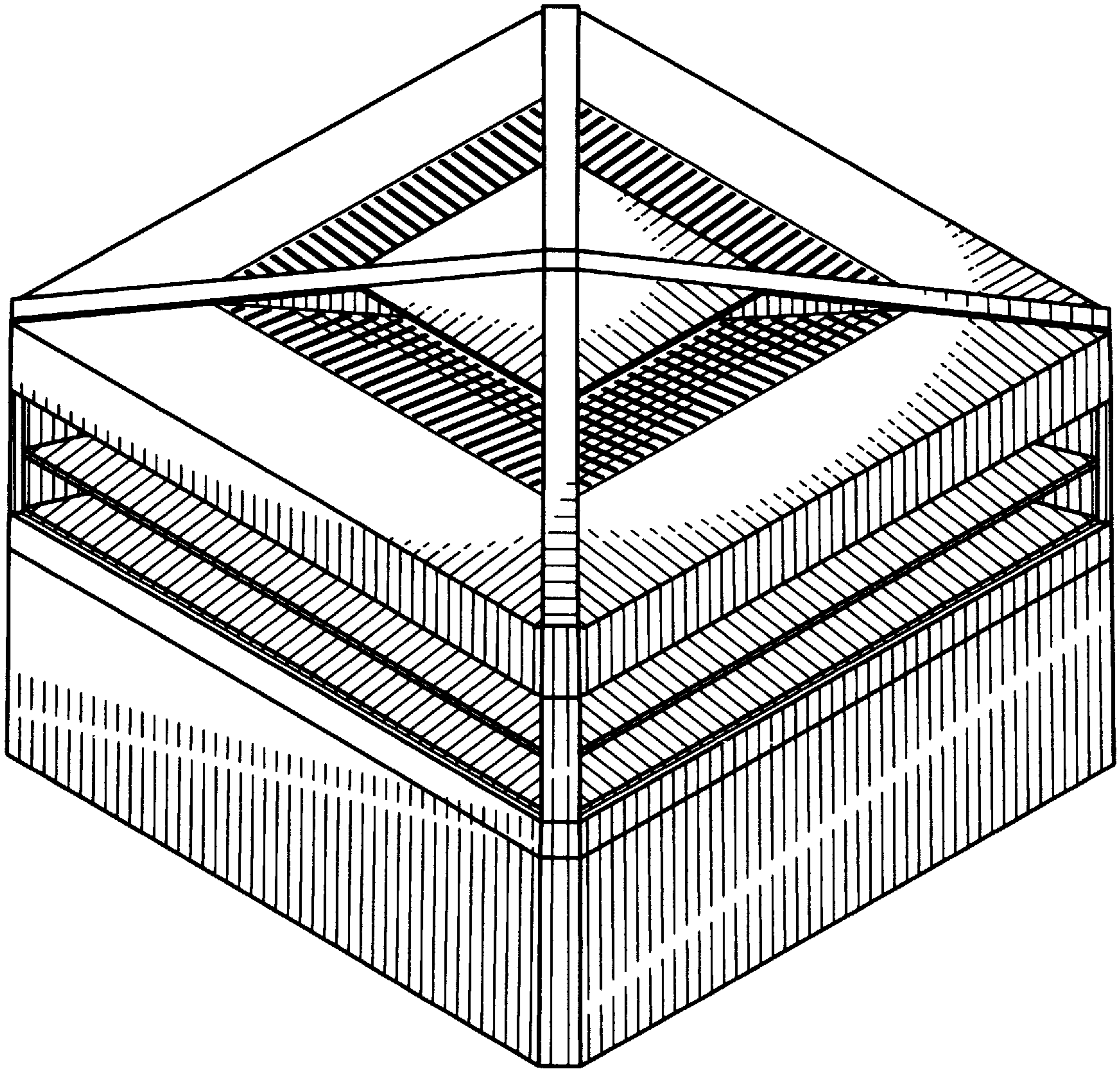


FIG. 4