

US00D465049S

(12) **United States Design Patent**
Ludwig

(10) **Patent No.:** **US D465,049 S**

(45) **Date of Patent:** **** Oct. 29, 2002**

(54) **LIGHTING APPARATUS**

(75) Inventor: **James N. Ludwig**, E. Grand Rapids,
MI (US)

(73) Assignee: **Steelcase Development Corporation**,
Caledonia, MI (US)

(**) Term: **14 Years**

(21) Appl. No.: **29/155,183**

(22) Filed: **Feb. 4, 2002**

Related U.S. Application Data

(62) Division of application No. 29/133,645, filed on Nov. 28,
2000.

(51) **LOC (7) Cl.** **26-03**

(52) **U.S. Cl.** **D26/78; D26/75**

(58) **Field of Search** D26/72-92; 362/147,
362/217-223, 224, 225, 292, 341, 346,
347, 432

(56) **References Cited**

U.S. PATENT DOCUMENTS

- 2,159,296 A 5/1939 Sharp
- 2,202,266 A 5/1940 Phillips
- 3,389,246 A 6/1968 Shemitz
- 3,471,629 A 10/1969 O'Leary
- 4,300,185 A 11/1981 Wakamatsu
- 4,748,543 A 5/1988 Swarens
- 4,866,584 A 9/1989 Plewman
- 4,920,458 A 4/1990 Jones
- D321,407 S 11/1991 Heidmann
- 5,331,526 A 7/1994 Giroto et al.
- 5,357,413 A 10/1994 Mandall
- D356,876 S 3/1995 Waldmann
- 5,394,658 A 3/1995 Schreiner et al.
- D364,478 S 11/1995 Pesau
- 5,511,348 A 4/1996 Cornell et al.
- 5,521,801 A 5/1996 Pesau et al.

- D377,990 S 2/1997 Nakano
- 5,743,054 A 4/1998 Luchetti et al.
- D397,819 S 9/1998 Thorton, Jr.
- 5,806,967 A 9/1998 Soorus et al.
- 5,845,988 A 12/1998 Mandall
- 6,056,416 A 5/2000 Ngai et al.
- D450,874 S 11/2001 Heiny et al.

OTHER PUBLICATIONS

Exhibit A, Discloses information on a prior art furniture system known as "CURRENT", manufactured by Knoll Intl., as shown on their website: www.knoll.com.

Exhibit B, Discloses a brochure showing prior art furniture know as "CURRENT", published by Knoll Int'l.

Exhibit C, Patent Application No. 09/289,778, filed Apr. 9, 1999, entitled Furniture Arrangement Configured to Support Overhead Utilities and Lighting (drawings attached).

Primary Examiner—Alan P. Douglas

Assistant Examiner—Clare E. Heflin

(74) *Attorney, Agent, or Firm*—Price Heneveld Cooper DeWitt & Litton

(57) **CLAIM**

I claim the ornamental design for a lighting apparatus, as shown and described.

DESCRIPTION

FIG. 1 is a top front perspective view of a lighting apparatus showing my design;

FIG. 2 is a front view of FIG. 1, the rear view being a mirror image thereof;

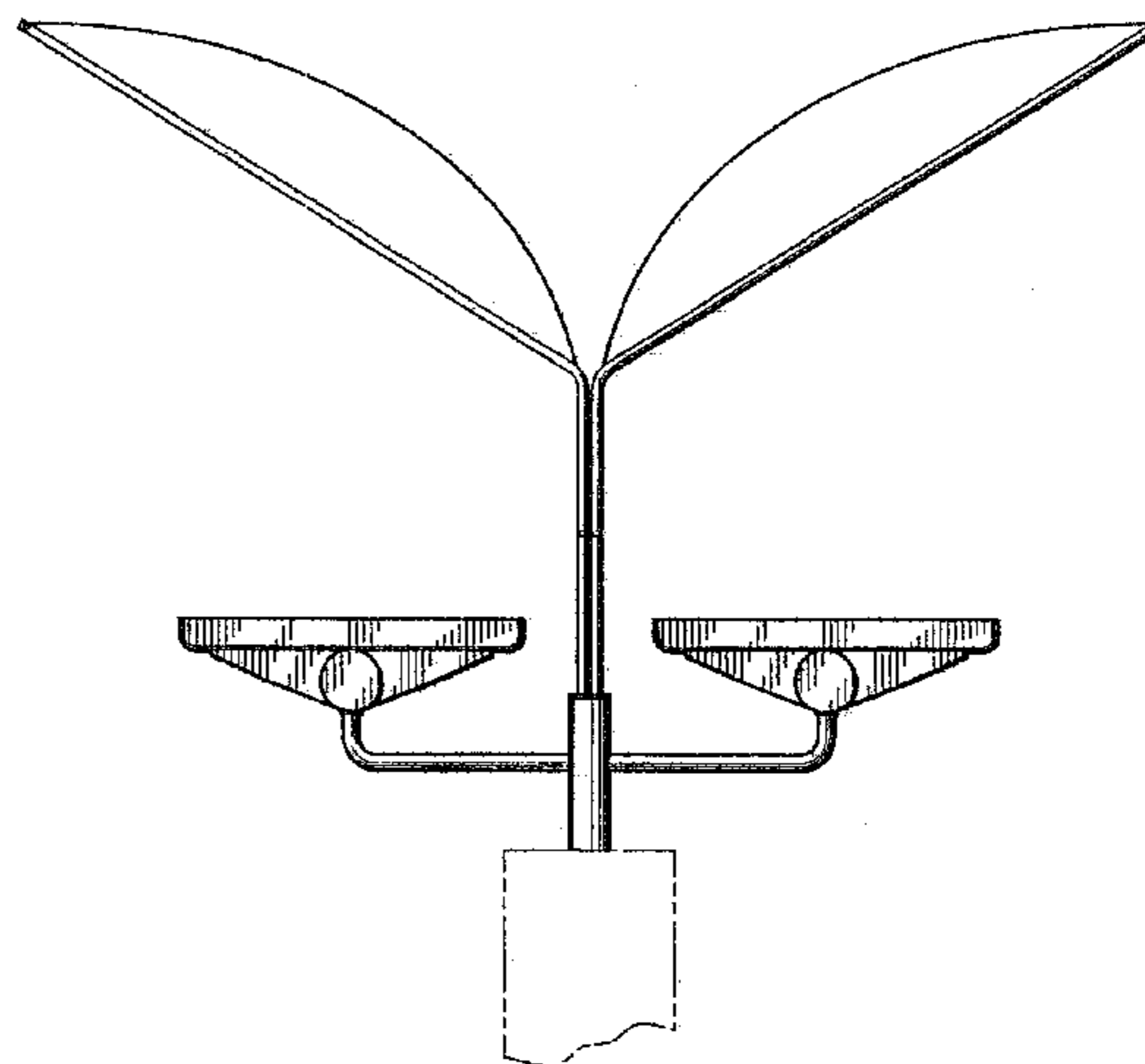
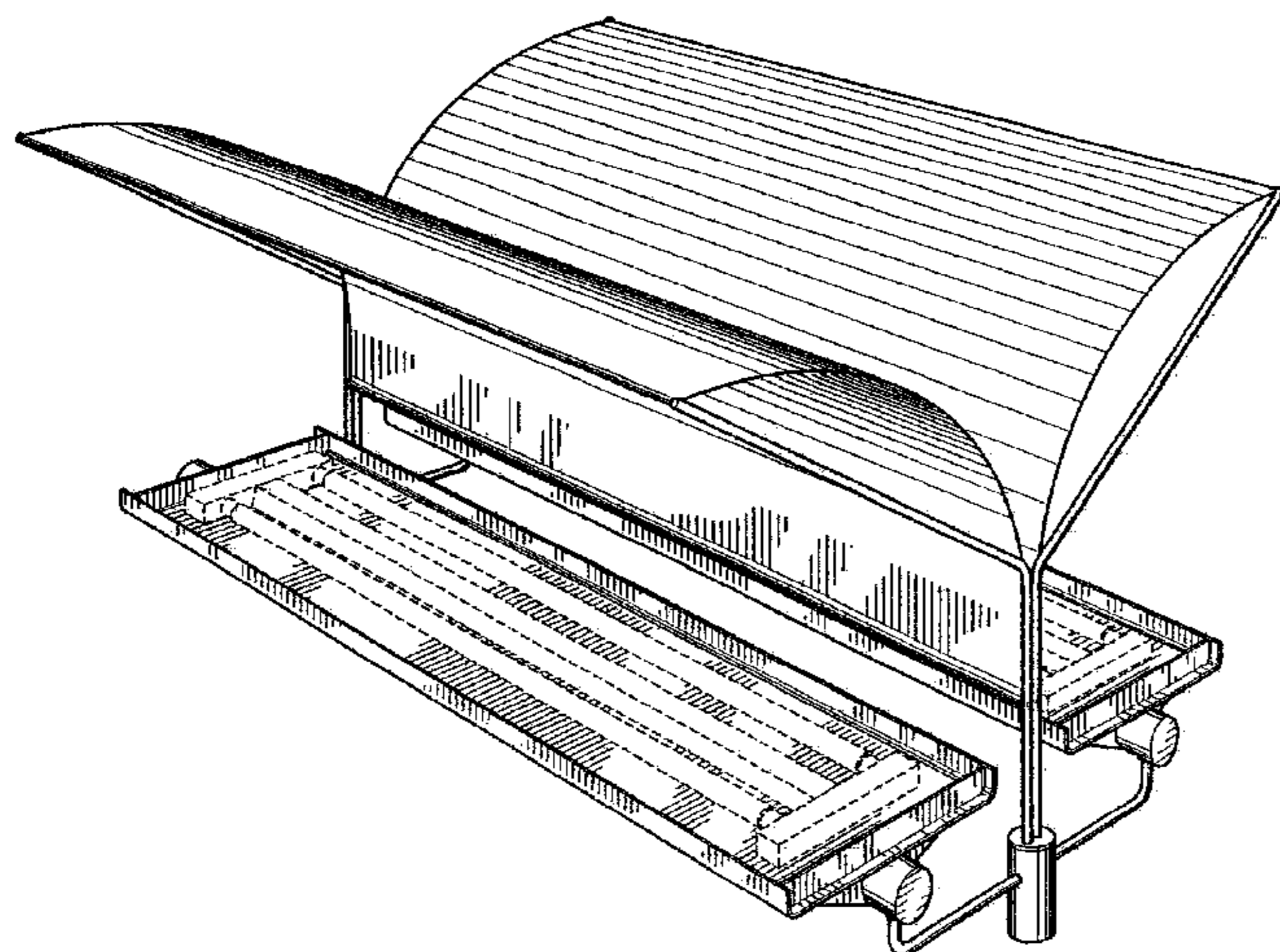
FIG. 3 is a top view of FIG. 1;

FIG. 4 is a bottom view of FIG. 1; and,

FIG. 5 is an end view of FIG. 1, the opposite end view being a mirror image thereof.

The dashed and phantom lines in FIGS. 1, 2 and 5 are to show the environment and do not form a part of the present invention.

1 Claim, 3 Drawing Sheets



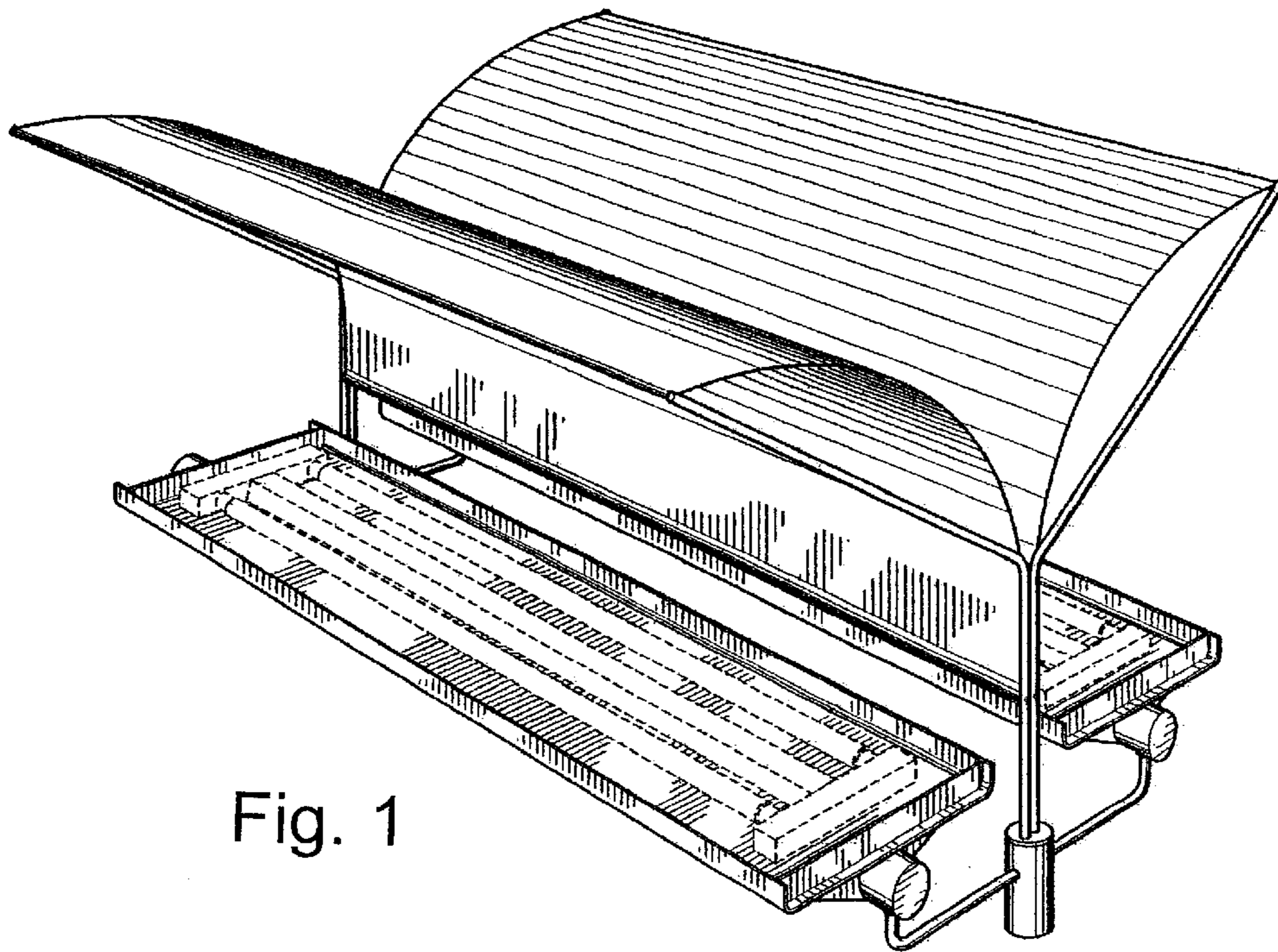


Fig. 1

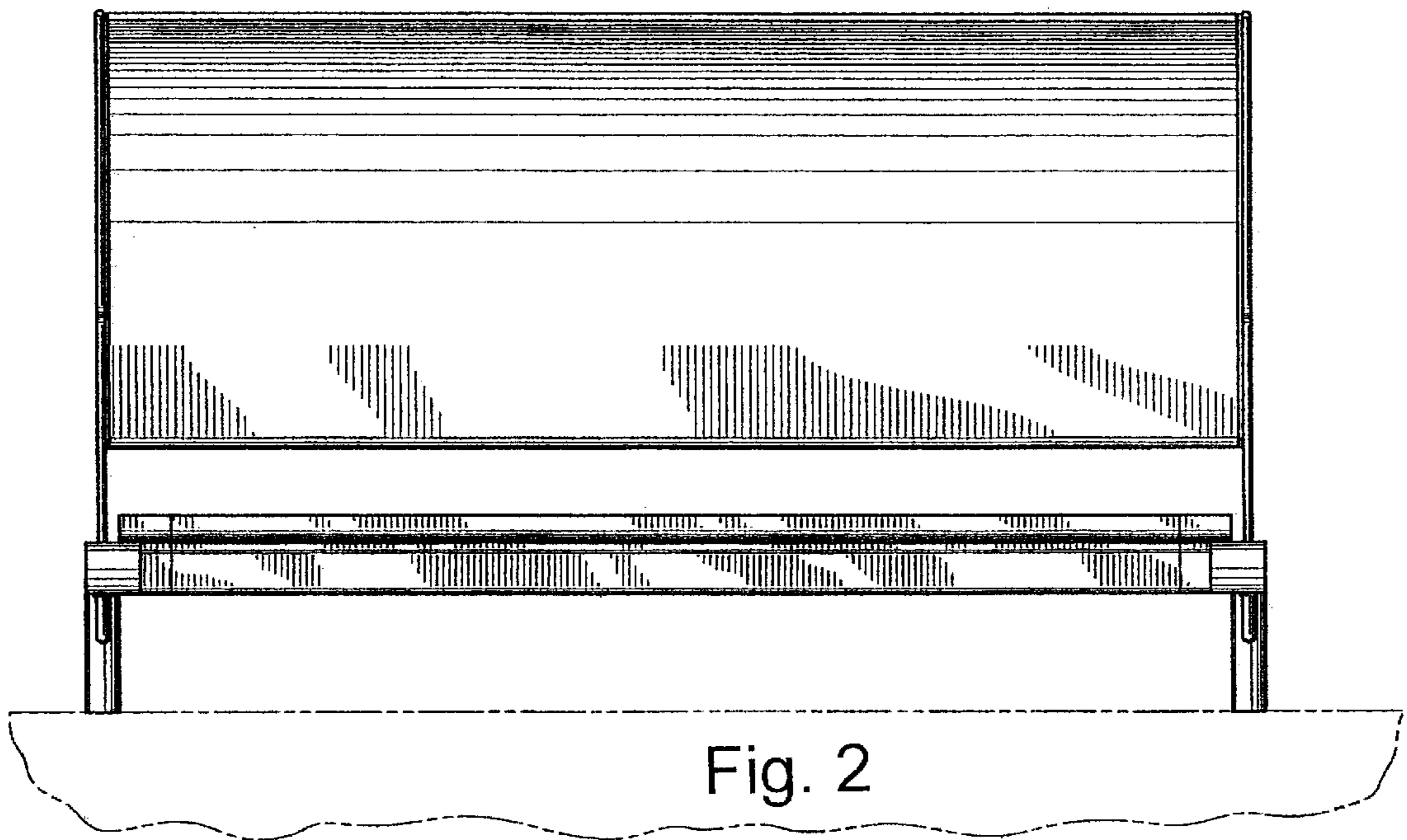


Fig. 2

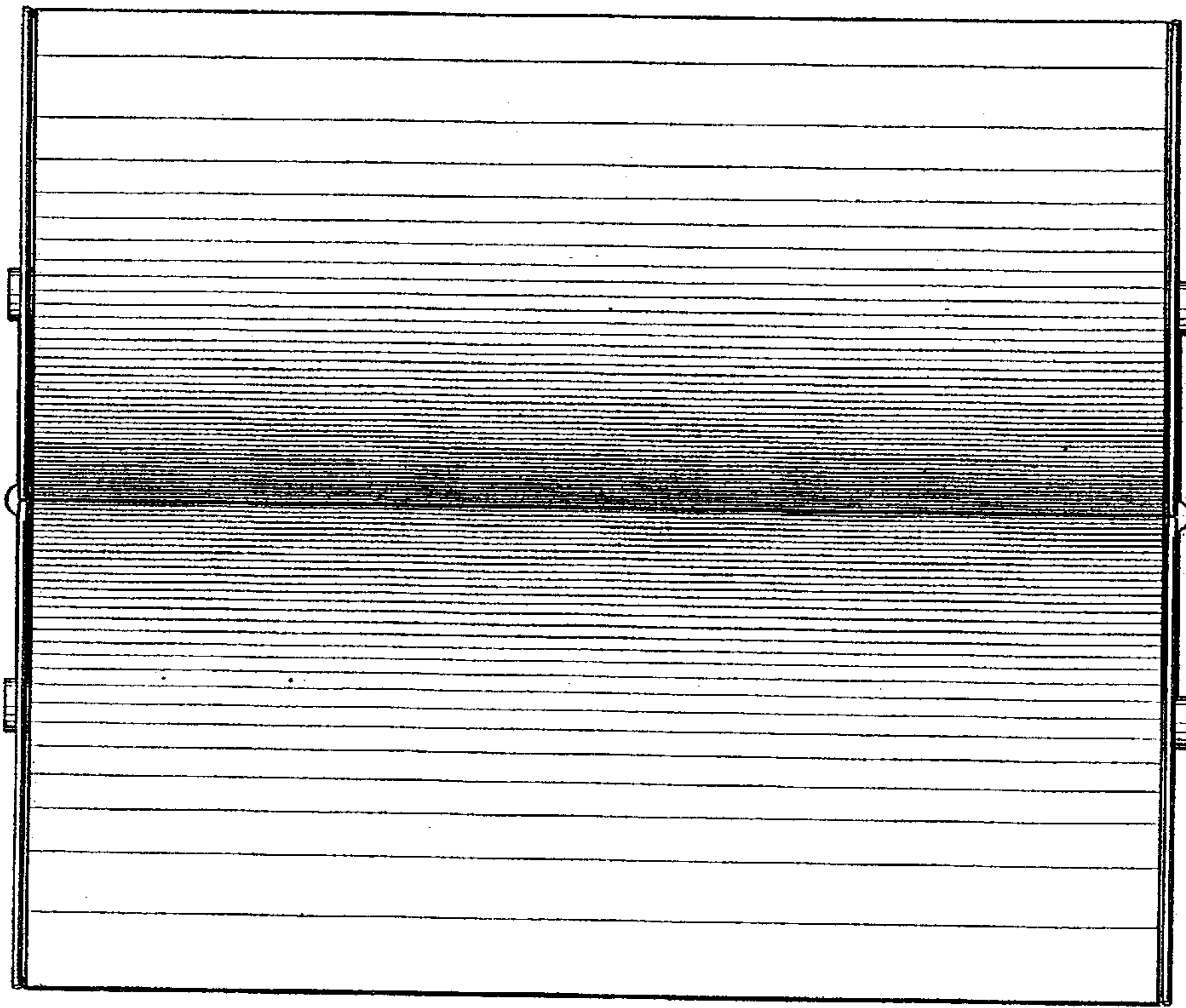


Fig. 3

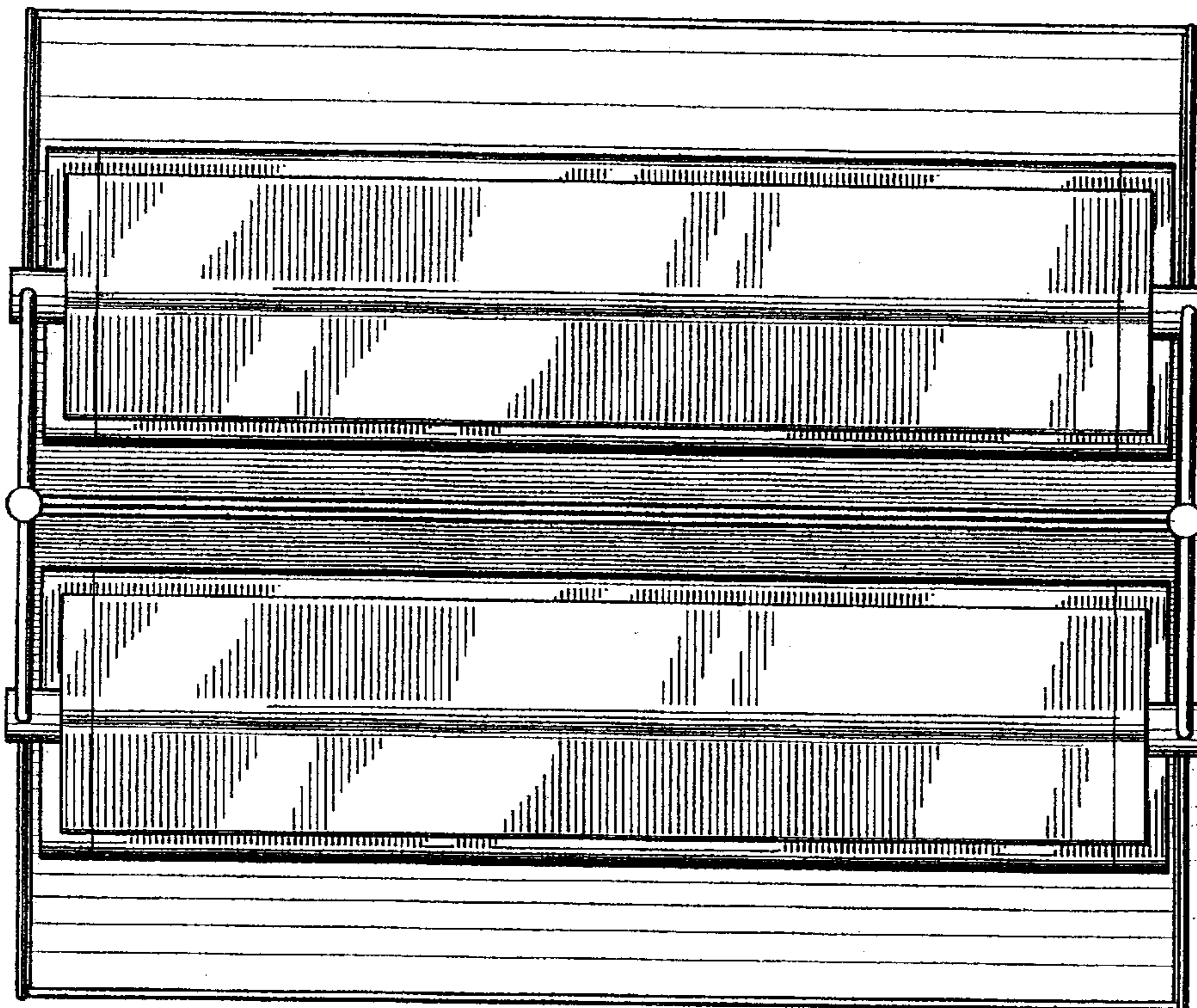


Fig. 4

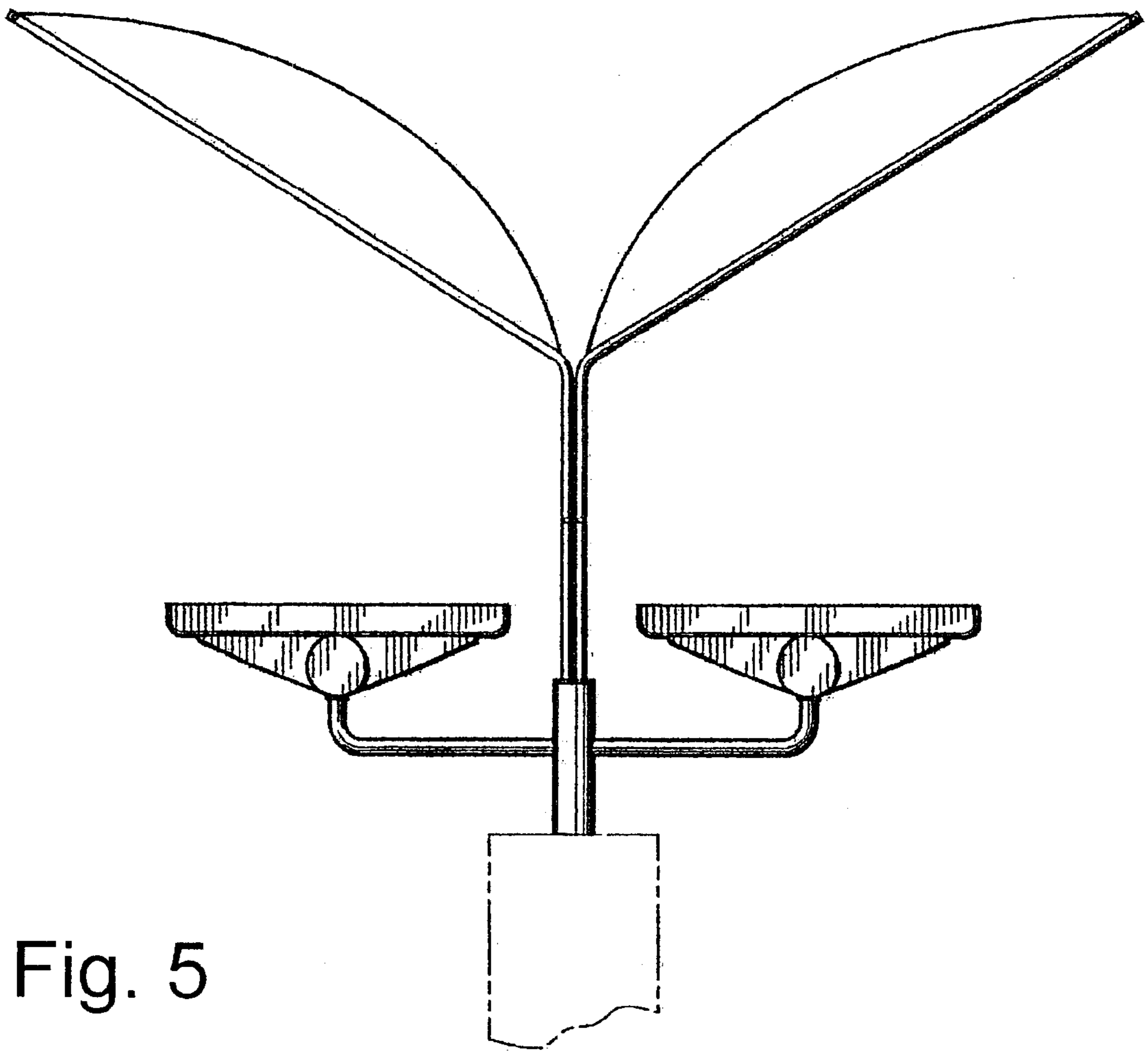


Fig. 5