



US00D465046S

(12) **United States Design Patent**
Layne et al.

(10) **Patent No.:** **US D465,046 S**

(45) **Date of Patent:** **** Oct. 29, 2002**

(54) **TRACK LIGHTING FIXTURE**

(75) Inventors: **Bruce Layne**, Wheaton, IL (US);
James Agro, Geneva, IL (US); **Steven Pyshos**, Glenview, IL (US)

(73) Assignee: **Cooper Technologies Company**,
Houston, TX (US)

(**) Term: **14 Years**

(21) Appl. No.: **29/127,050**

(22) Filed: **Jul. 28, 2000**

(51) **LOC (7) Cl.** **26-05**

(52) **U.S. Cl.** **D26/63**

(58) **Field of Search** D26/60-66; 362/269,
362/270, 275, 277, 278, 281, 283, 284,
285, 286, 289, 401, 402, 423, 427

(56) **References Cited**

U.S. PATENT DOCUMENTS

5,291,381 A	3/1994	Price	
D439,998 S	* 4/2001	Lin D26/63
D453,227 S	* 1/2002	Lin D26/63
D454,219 S	* 3/2002	Thompson D26/63

OTHER PUBLICATIONS

Translite Systems products brochure from www.translite.com, prior to Jul. 28, 2000.

Ardee Lighting products brochure from www.ardeelight-ing.com, prior to Jul. 28, 2000.

Juno Lighting products brochure from www.junolighting.com, prior to Jul. 28, 2000.

Belfer Lighting products brochure from www.belfer.com, prior to Jul. 28, 2000.

Erco Lighting products brochure from www.erco.com, prior to Jul. 28, 2000.

* cited by examiner

Primary Examiner—Marcus A. Jackson

(74) *Attorney, Agent, or Firm*—Thomas, Kayden, Horstemeyer & Risley, LLP

(57) **CLAIM**

I claim the ornamental design for a track lighting fixture, as shown and described.

DESCRIPTION

FIG. 1 is a left rear perspective view of a fixture showing the new design in a partially rotated position;

FIG. 2 is a bottom rear perspective view thereof in a partially rotated position;

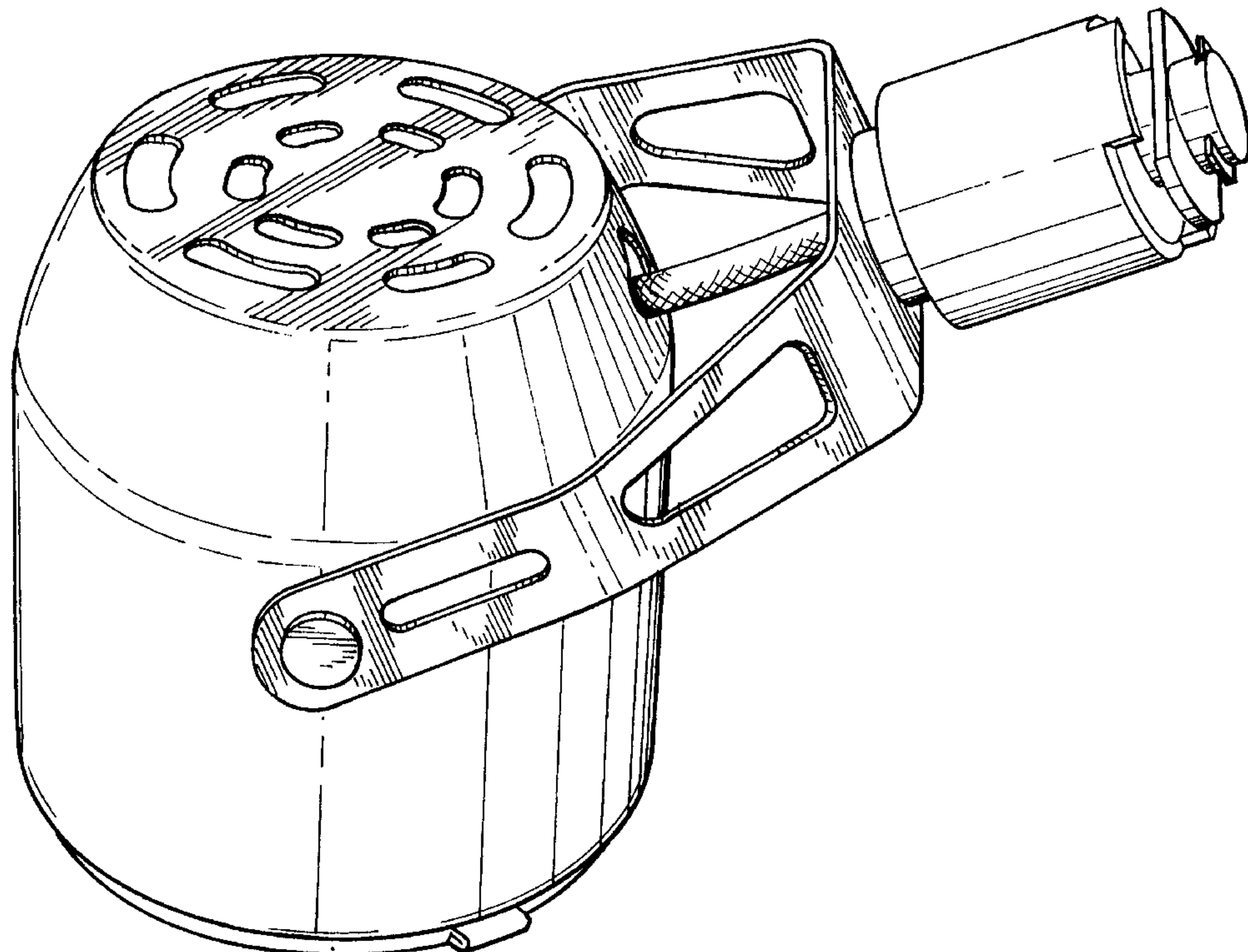
FIG. 3 is a front plan view thereof in a partially rotated position;

FIG. 4 is a bottom perspective view thereof in a partially rotated position;

FIG. 5 is rear perspective view thereof; in a partially rotated position; and,

FIG. 6 is a top plan view thereof in a partially rotated position.

1 Claim, 6 Drawing Sheets



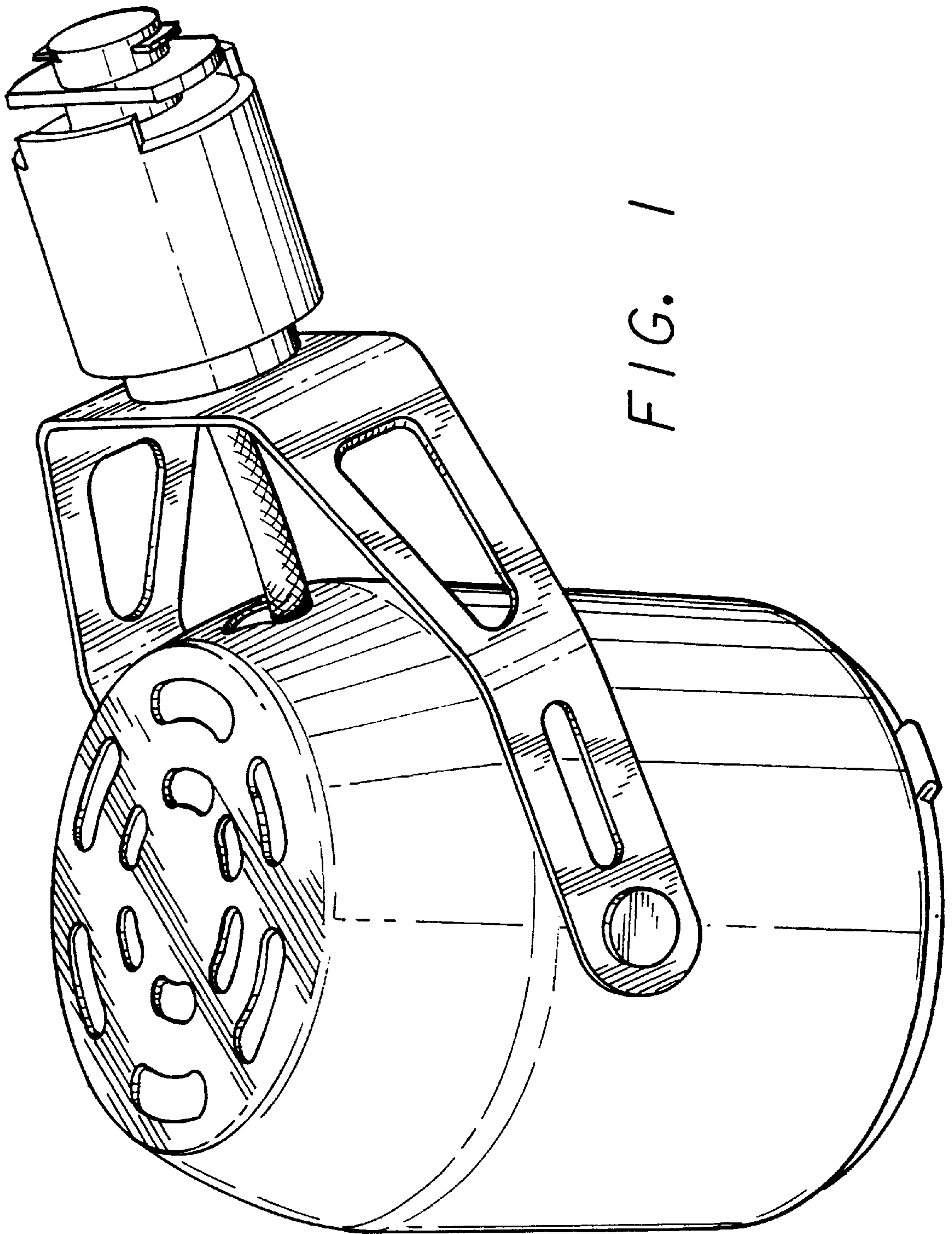


FIG. 1

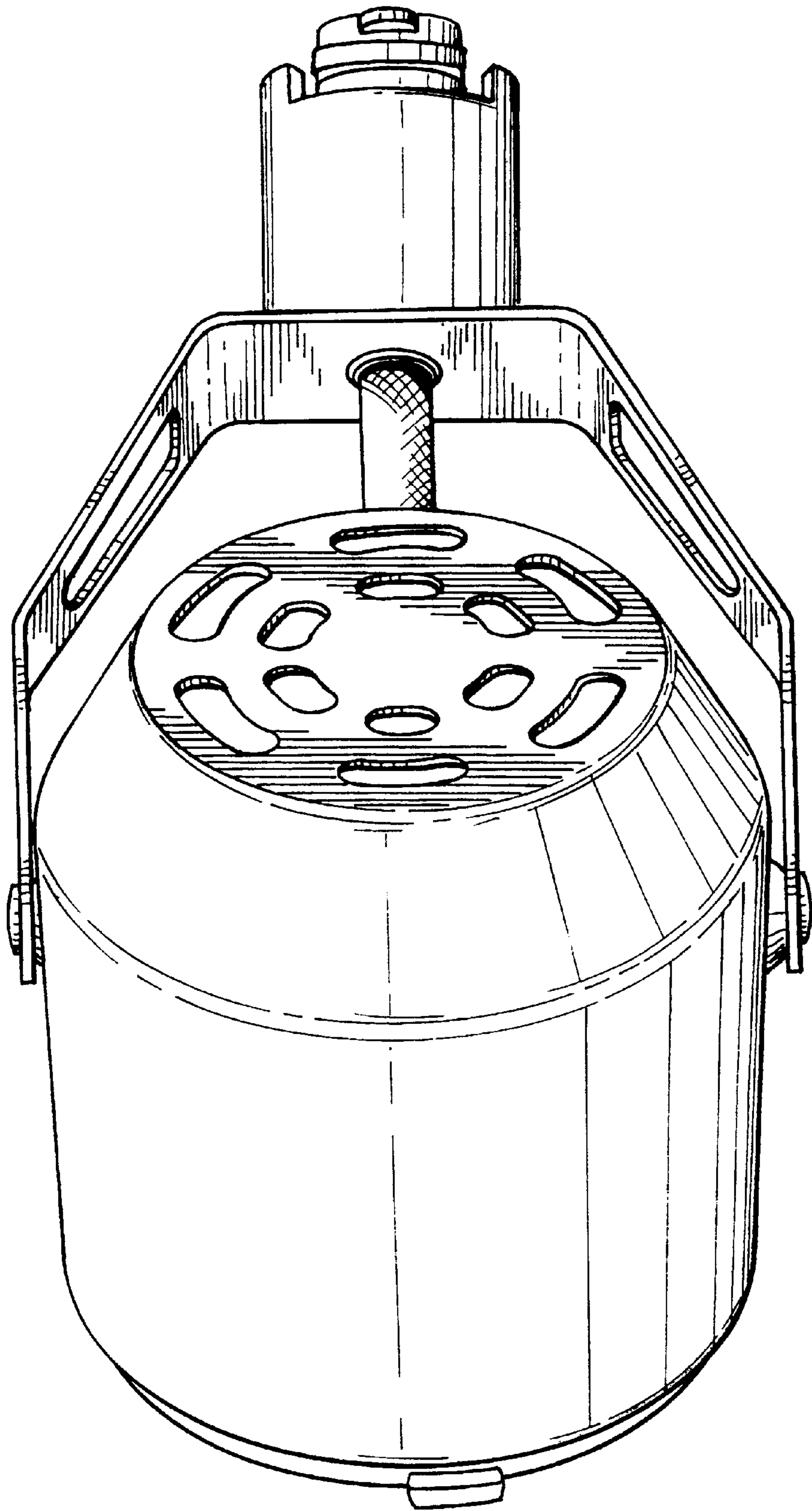


FIG. 2

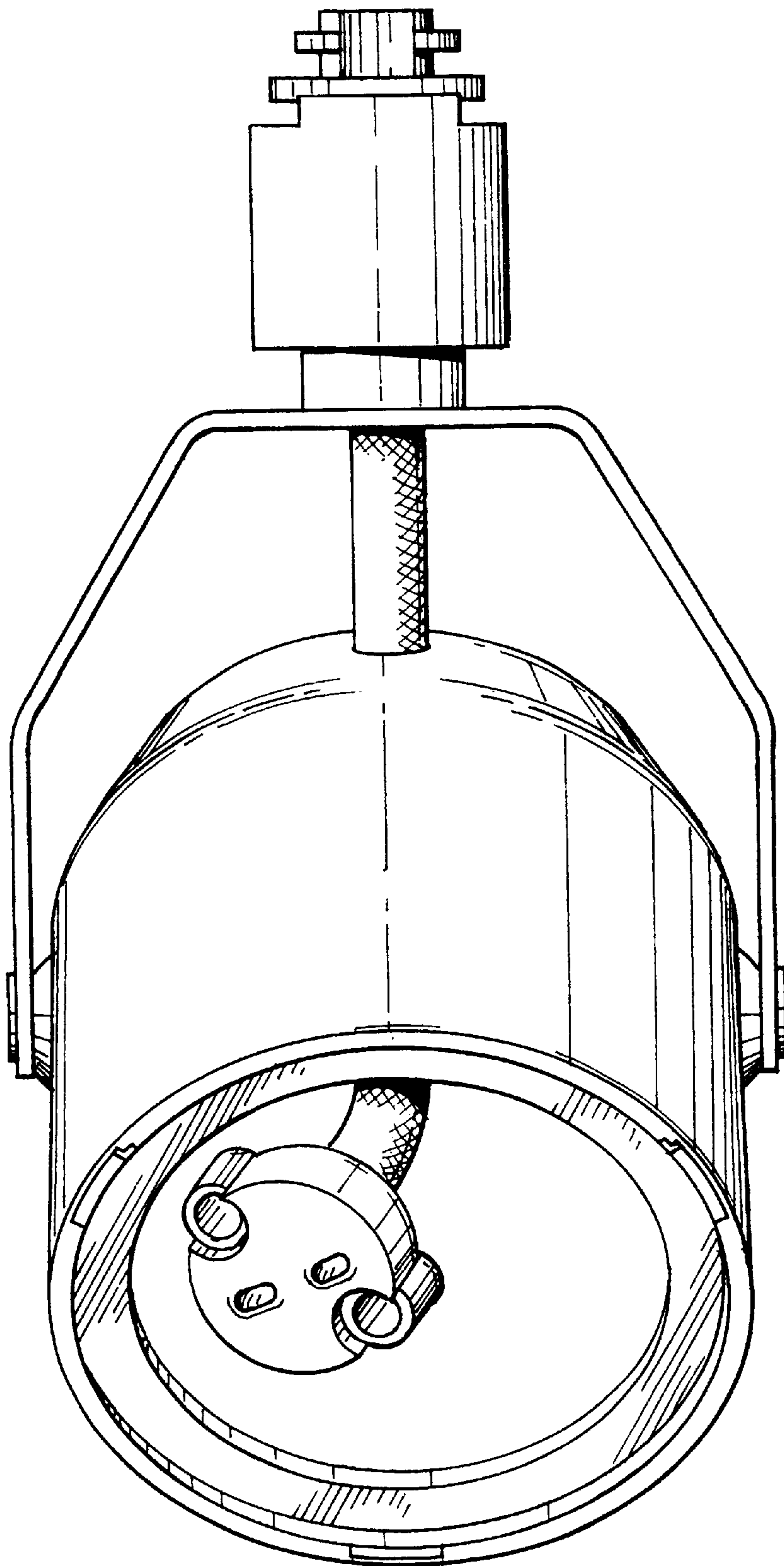


FIG. 3

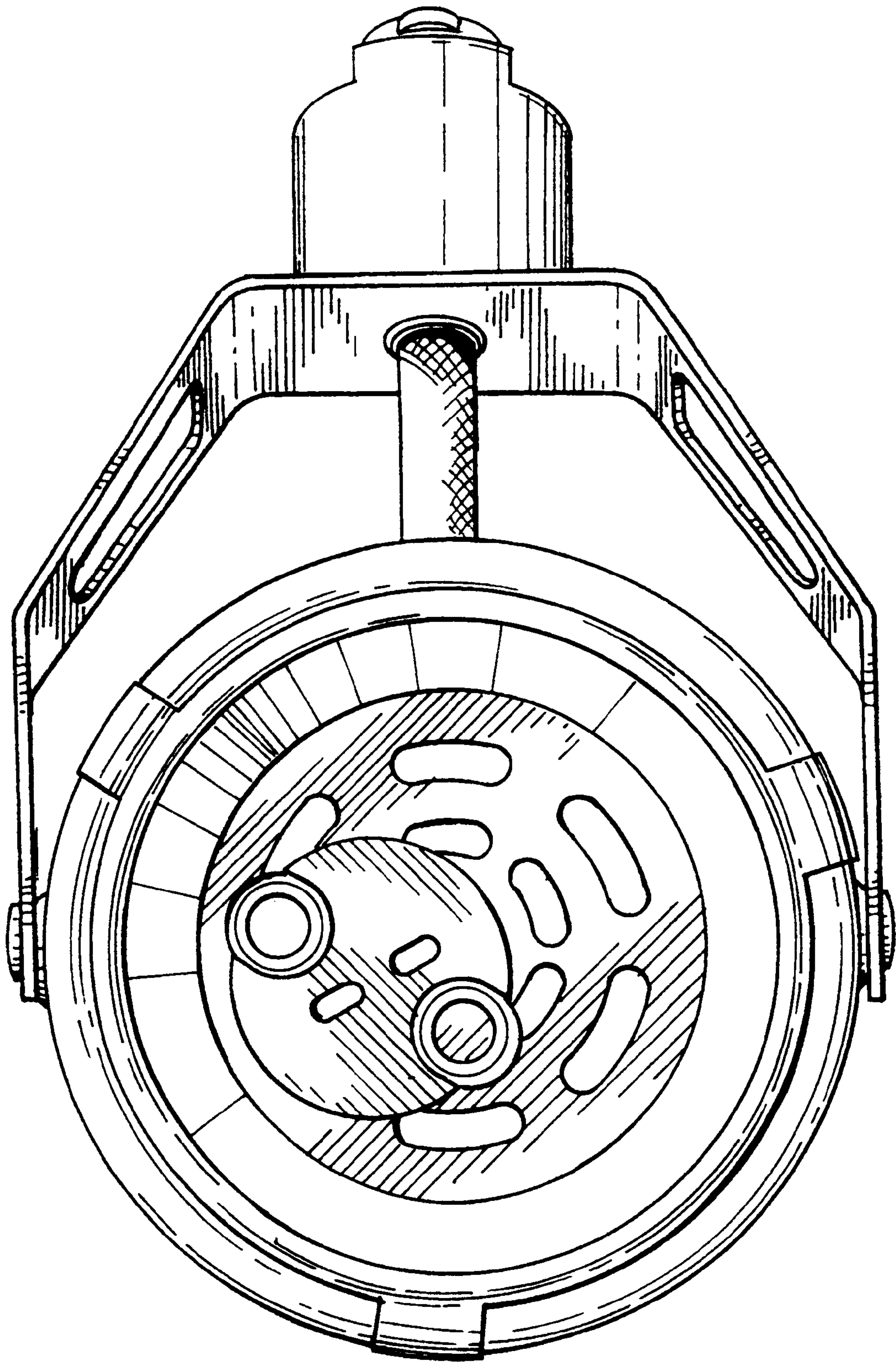


FIG. 4

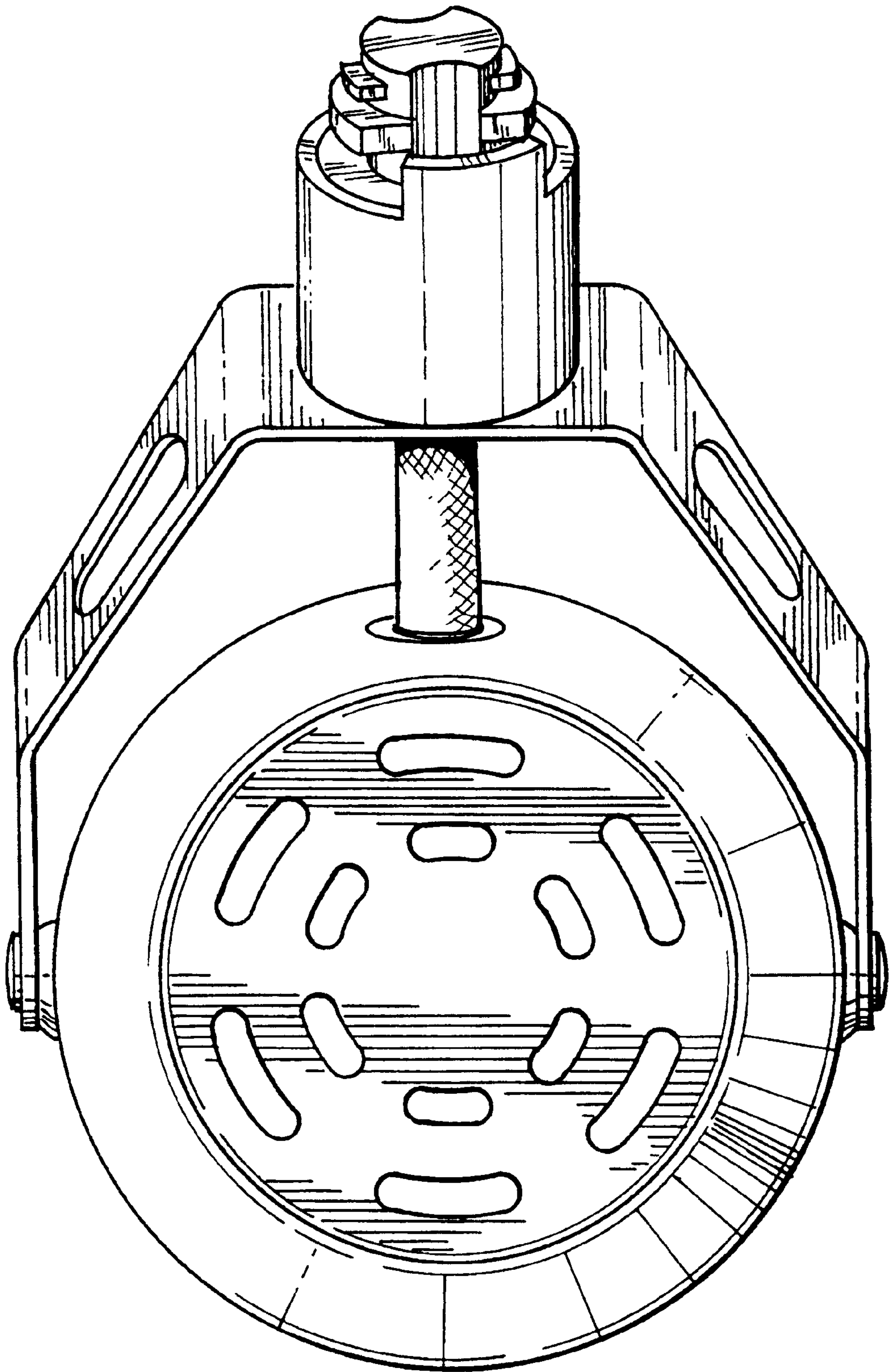


FIG. 5

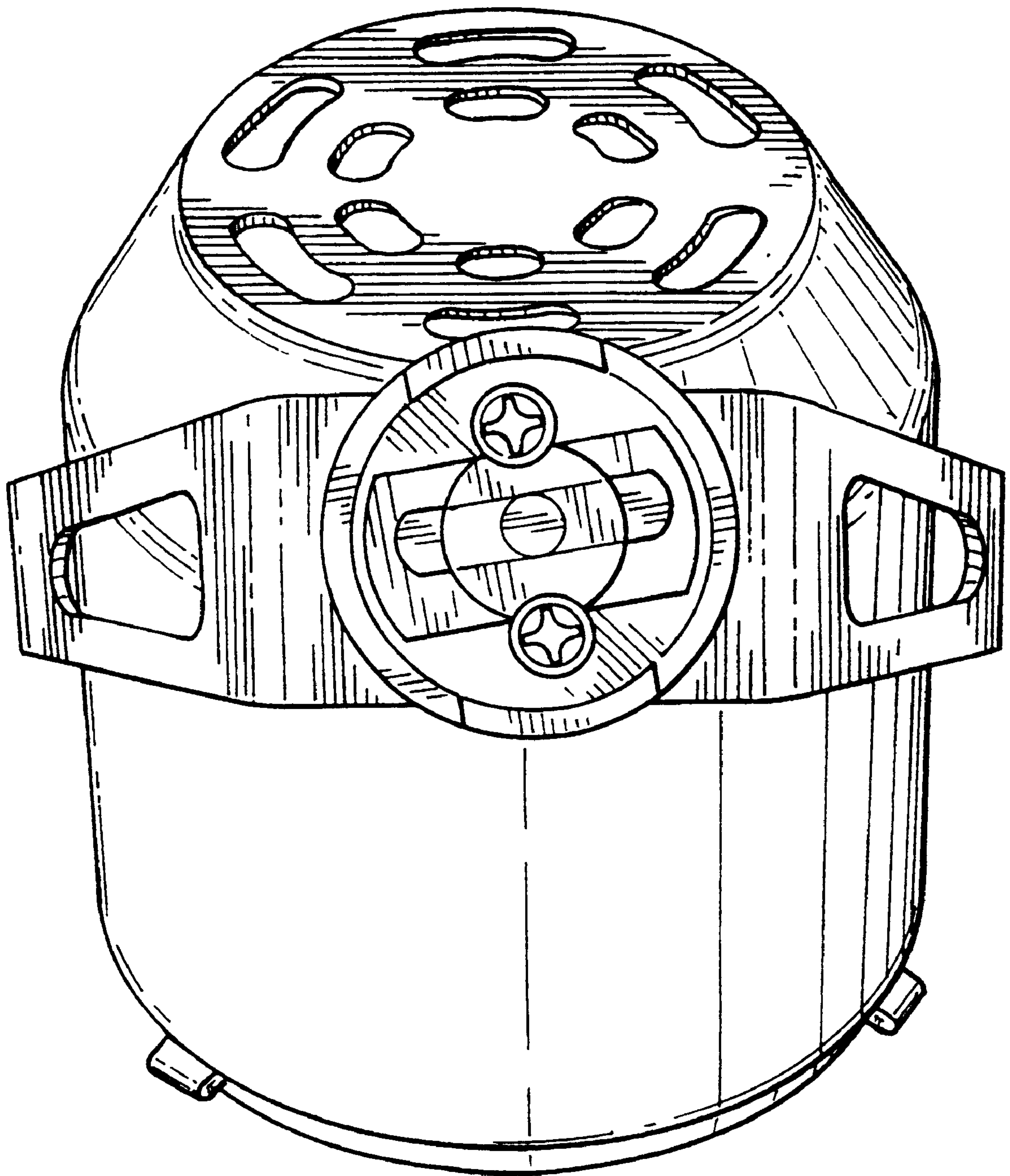


FIG. 6