



US00D465043S

(12) **United States Design Patent**
Halasz

(10) **Patent No.:** **US D465,043 S**

(45) **Date of Patent:** **** Oct. 29, 2002**

(54) **DOME SHAPED ILLUMINATION DEVICE**

(75) Inventor: **Christopher Lee Halasz**, Parker, CO (US)

(73) Assignee: **Bison Sportlights, Inc.**, Englewood, CO (US)

(**) Term: **14 Years**

(21) Appl. No.: **29/135,660**

(22) Filed: **Jan. 15, 2001**

(51) **LOC (7) Cl.** **26-02**

(52) **U.S. Cl.** **D26/39**

(58) **Field of Search** D26/37-50; 362/157, 362/162, 171, 178, 187, 188, 189, 190, 191, 194, 195, 196, 197, 198, 199, 200, 201, 202, 203, 204, 205, 206, 105, 106

(56) **References Cited**

U.S. PATENT DOCUMENTS

3,838,230	A	*	9/1974	Bohman et al.	362/105	X
3,912,919	A	*	10/1975	Eriksson	362/105	
5,115,382	A	*	5/1992	Smith	362/105	
5,163,420	A	*	11/1992	Var	362/105	
5,558,428	A	*	9/1996	Lehrer	362/105	

* cited by examiner

Primary Examiner—Marcus A. Jackson

(74) *Attorney, Agent, or Firm*—Le Boeuf, Lamb, Greene & MacRae, LLP.; John R. Posthumus

(57) **CLAIM**

The ornamental design for a dome shaped illumination device, as shown.

DESCRIPTION

FIG. 1 is a shaded perspective view with strap of the dome shaped illumination device in accordance with the present invention.

FIG. 2 is a shaded perspective view with strap of the dome shaped illumination device in accordance with the present invention.

FIG. 3 is a shaded perspective view with strap of the dome shaped illumination device in accordance with the present invention.

FIG. 4 is a shaded front view with strap of the dome shaped illumination device in accordance with the present invention.

FIG. 5 is shaded side view with strap of the dome shaped illumination device in accordance with the present invention.

FIG. 6 is a shaded top view with strap of the dome shaped illumination device in accordance with the present invention.

FIG. 7 is a shaded bottom view with strap of the dome shaped illumination device in accordance with the present invention.

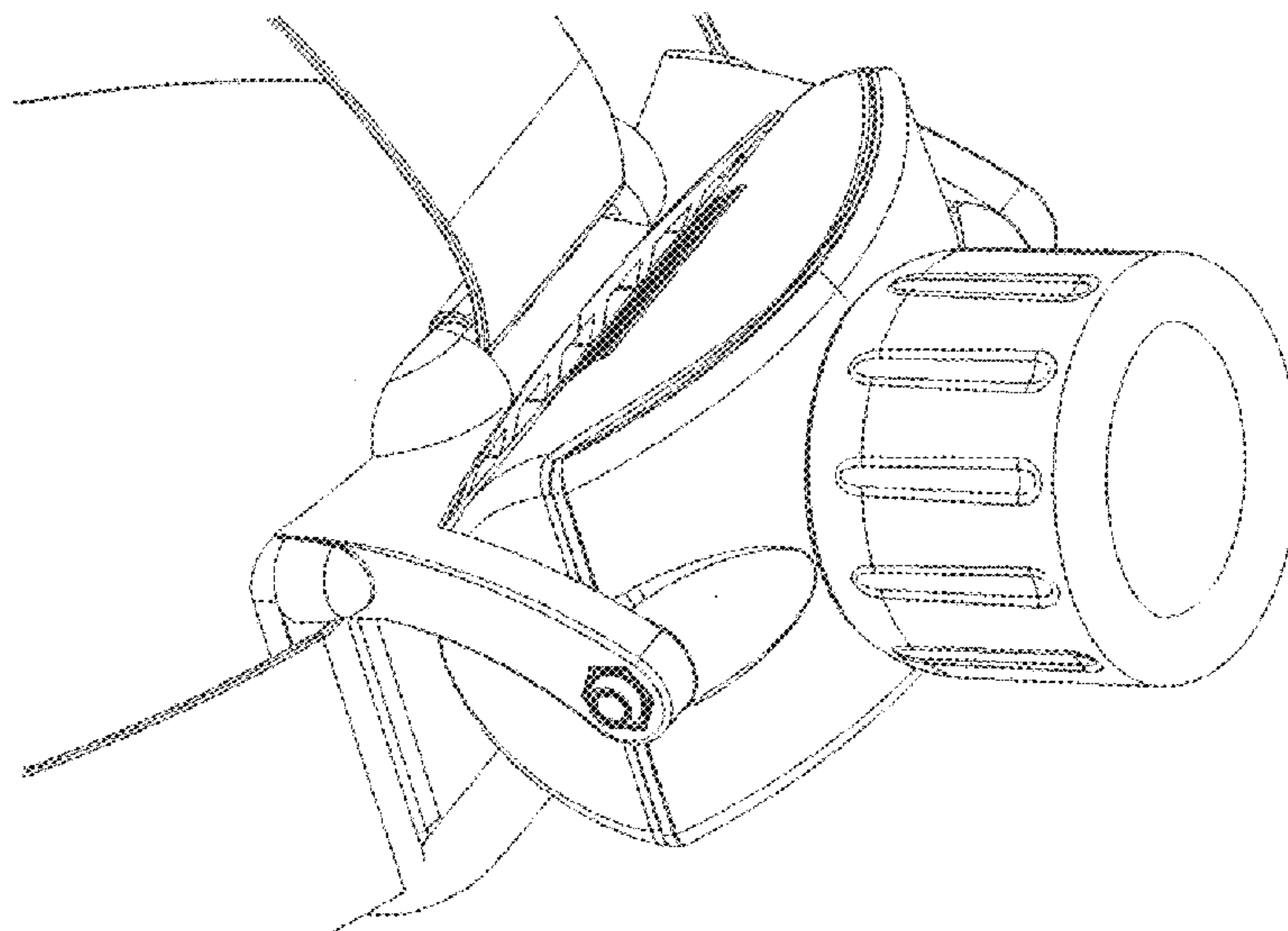
FIG. 8 is a shaded front view without strap of the dome shaped illumination device in accordance with the present invention.

FIG. 9 is a shaded back view without strap of the dome shaped illumination device in accordance with the present invention.

FIG. 10 is a shaded top view without strap of the dome shaped illumination device in accordance with the present invention; and,

FIG. 11 is a shaded side view without strap of the dome shaped illumination device in accordance with the present invention.

1 Claim, 11 Drawing Sheets



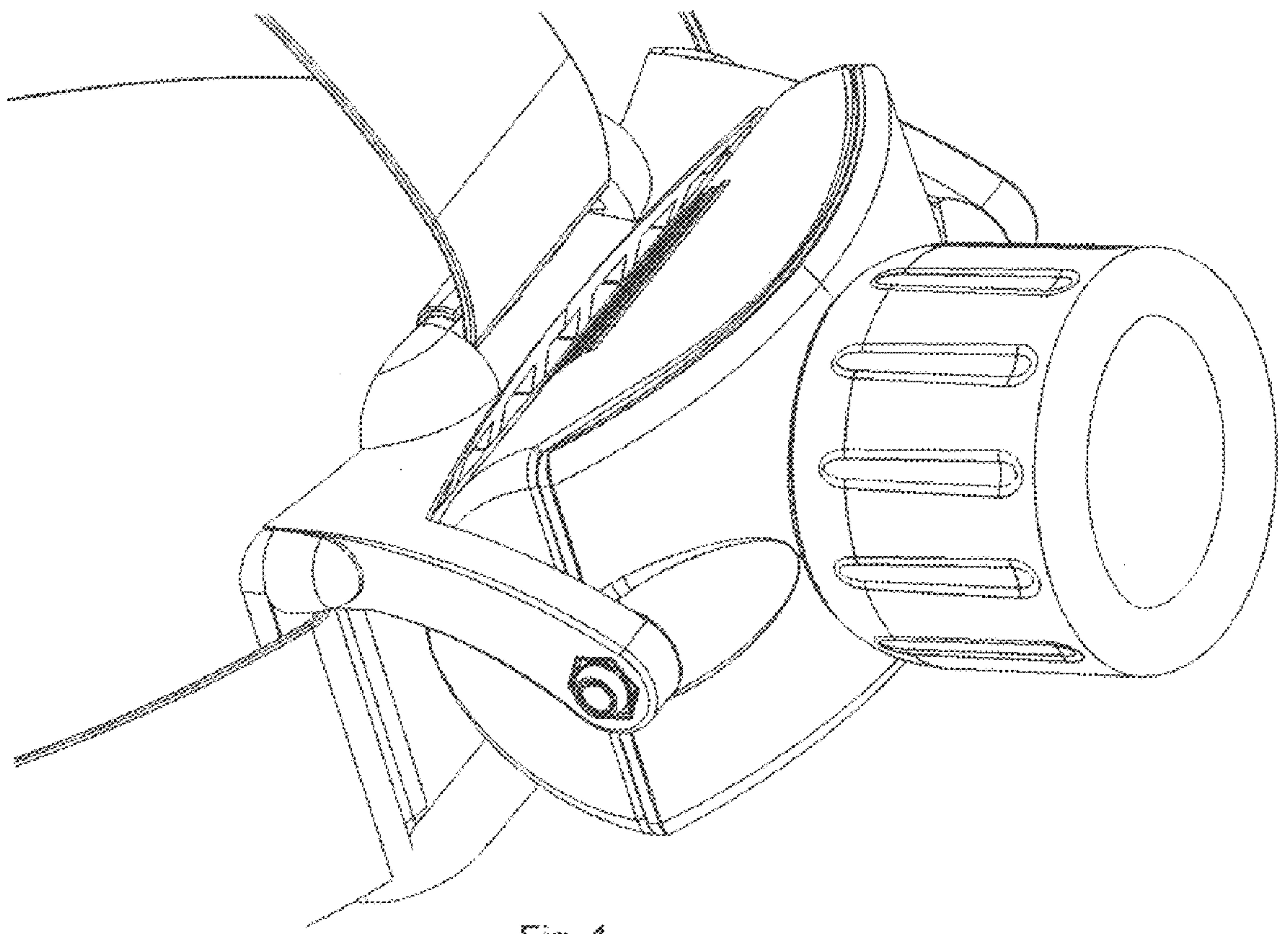


Fig. 1

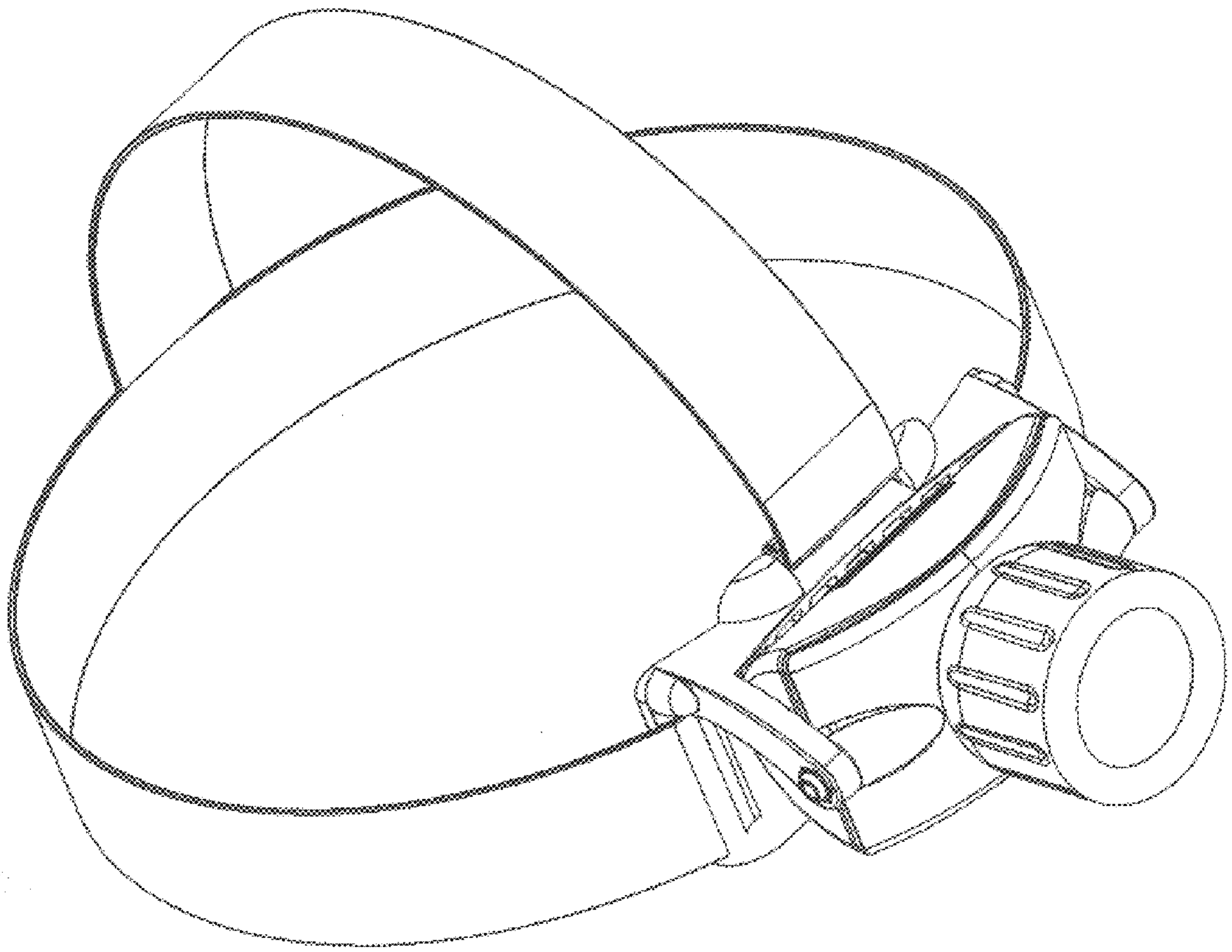


Fig. 2

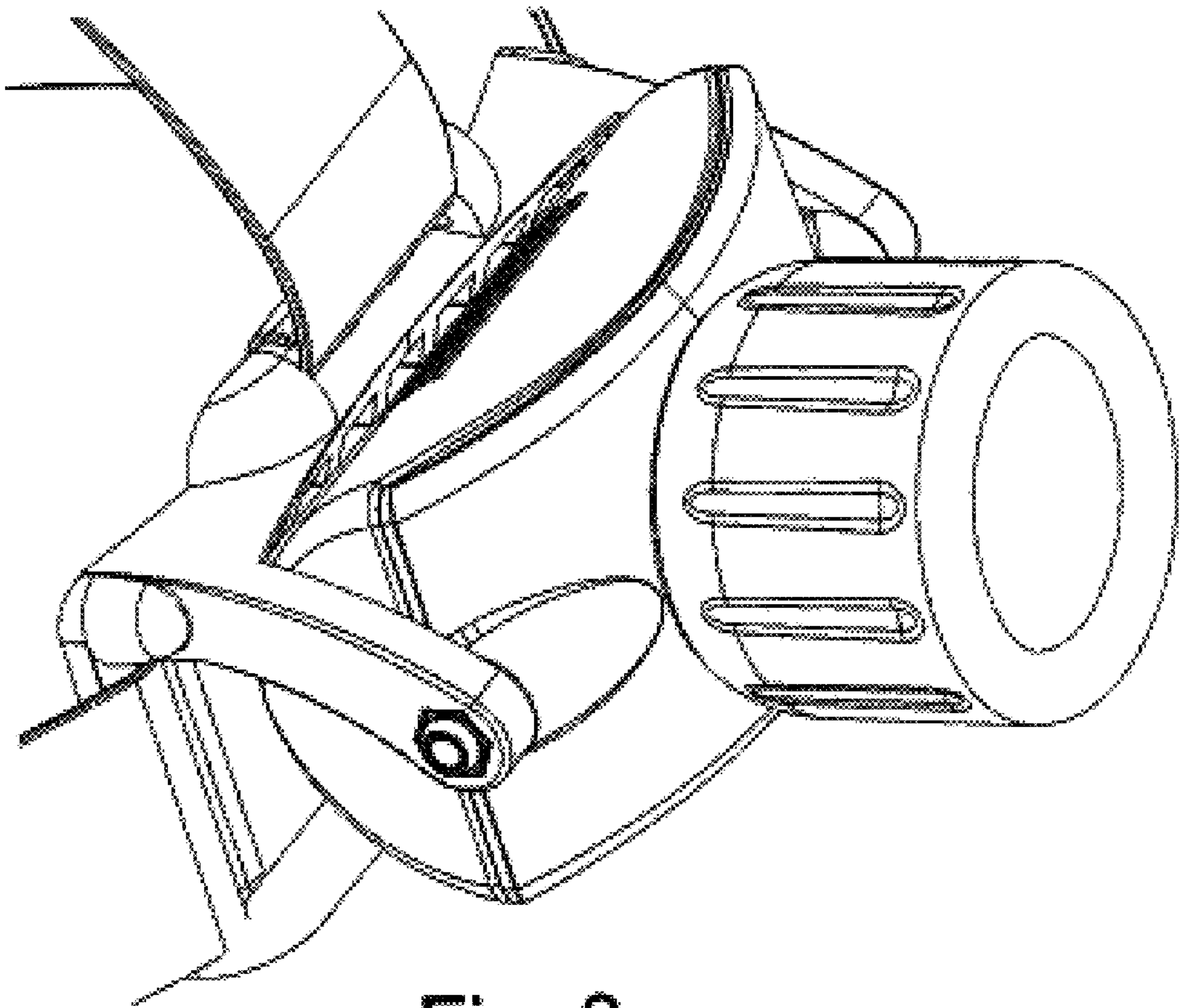


Fig. 3

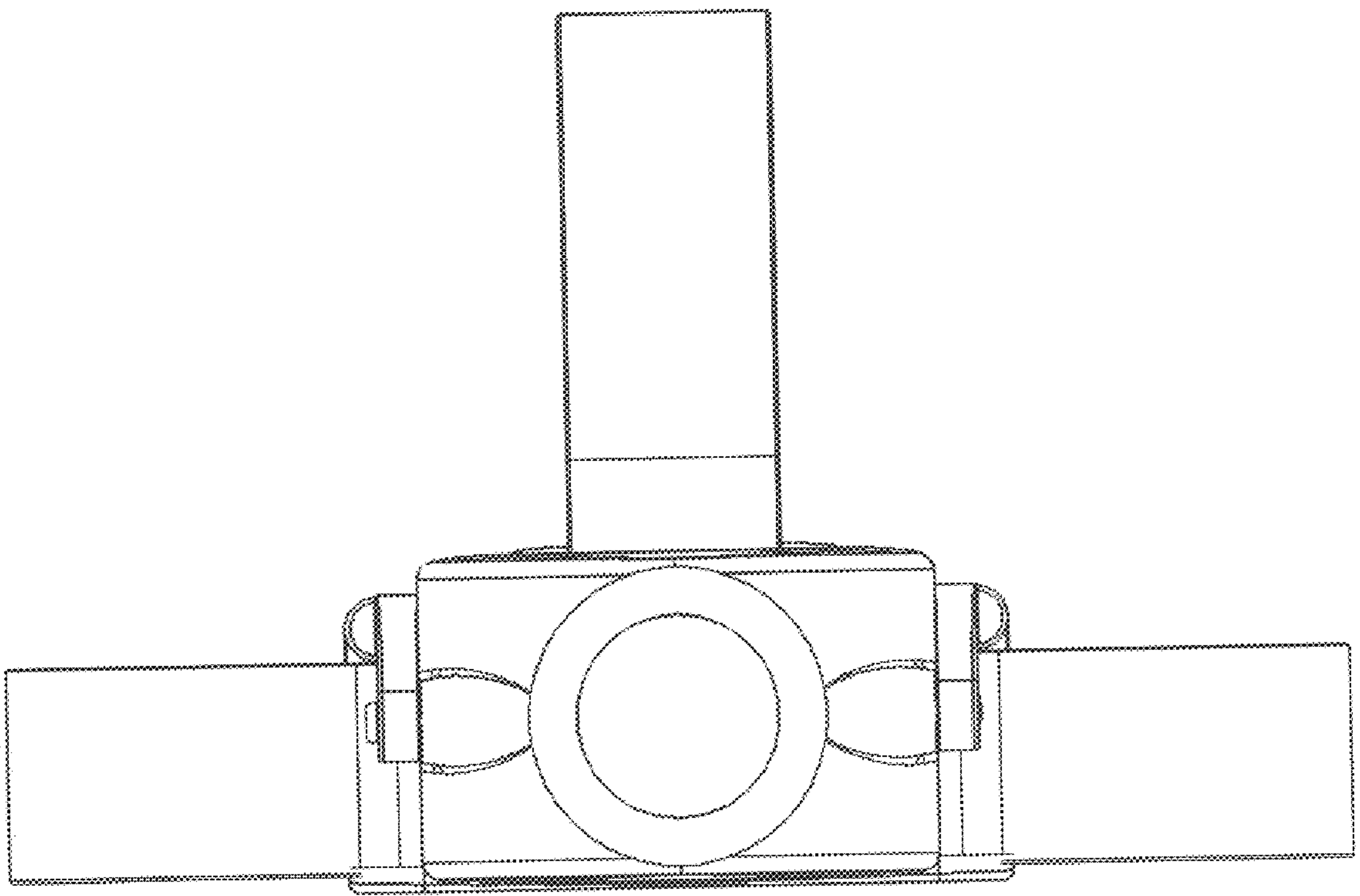


Fig. 4

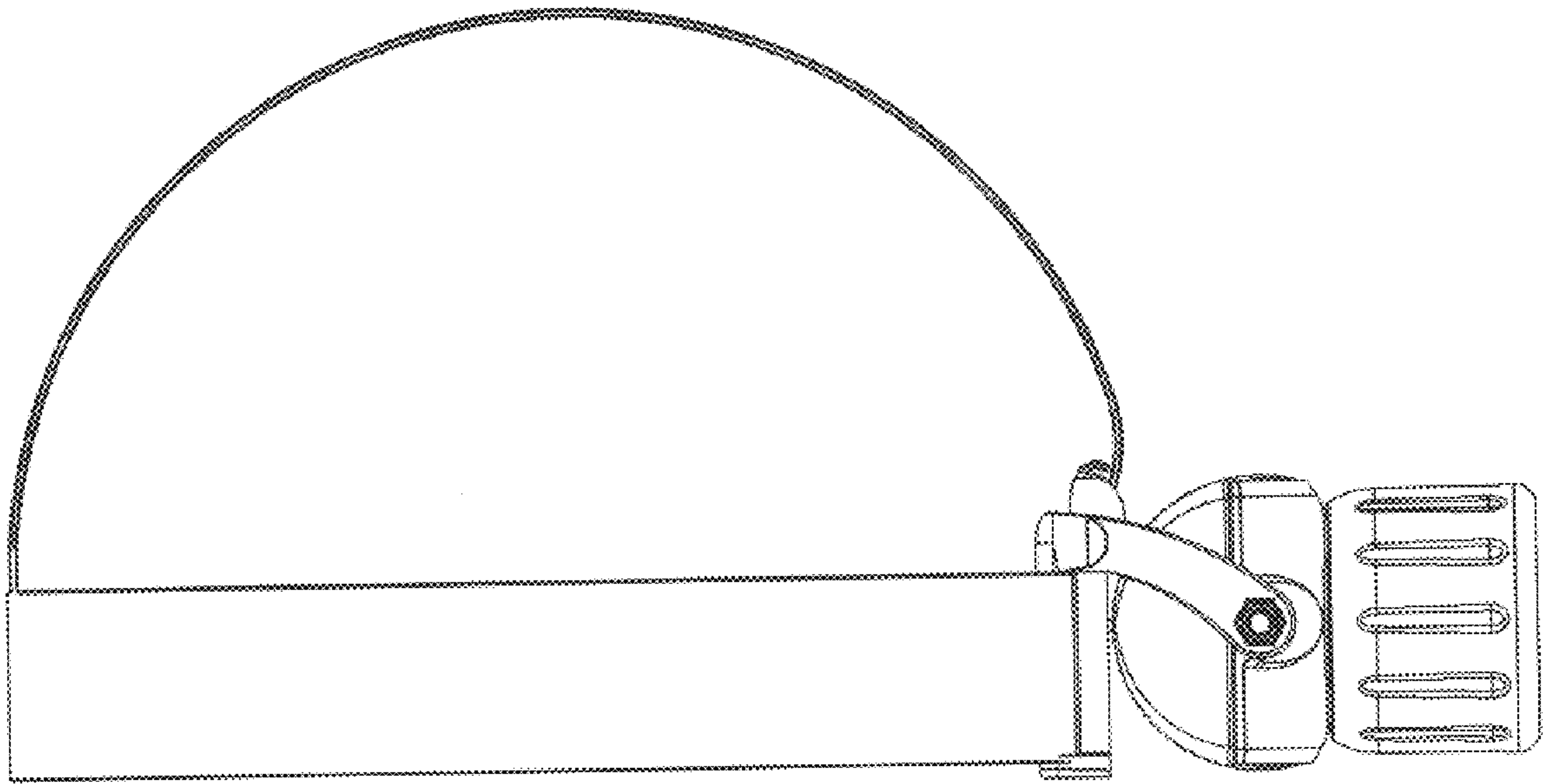


Fig. 5

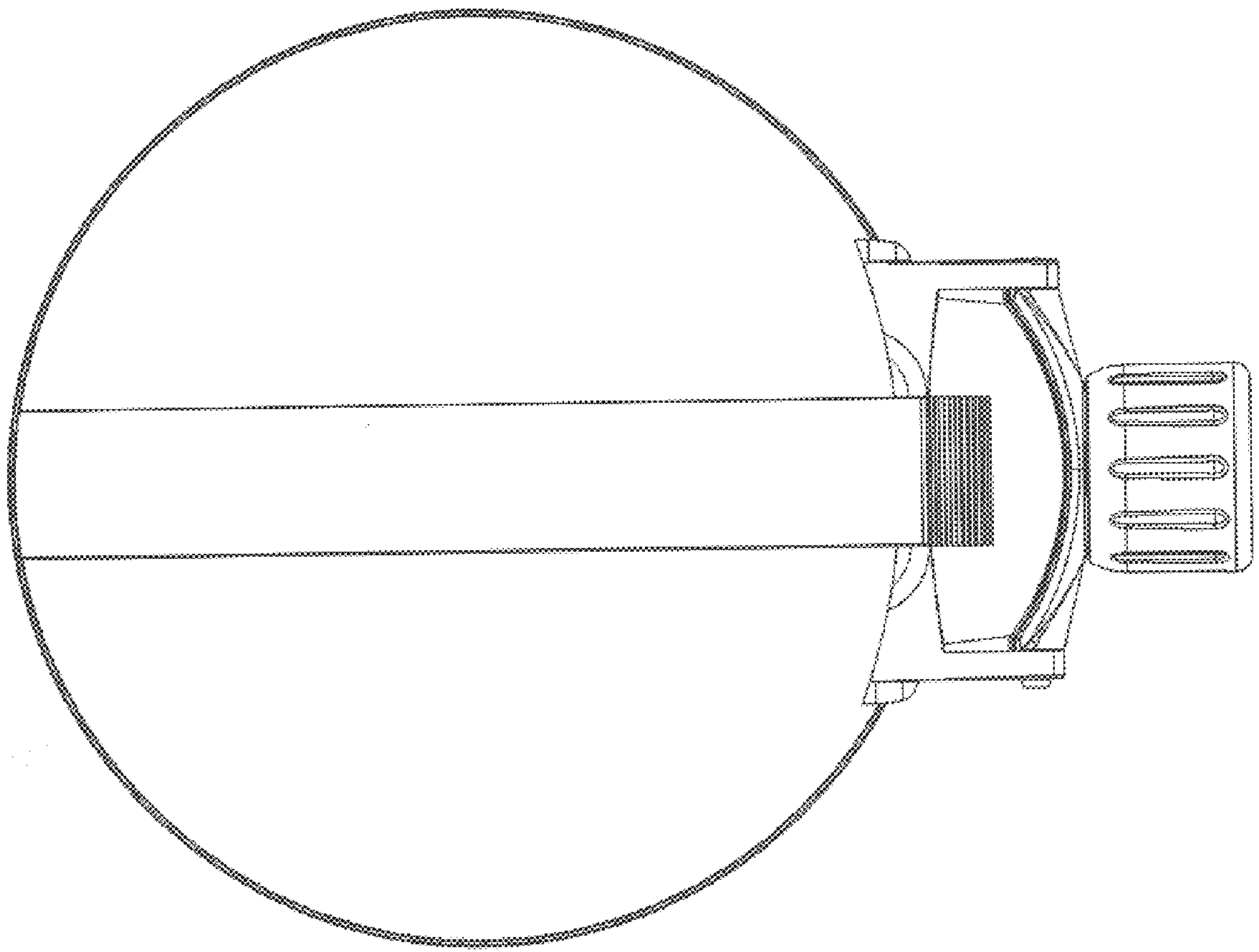


Fig. 6

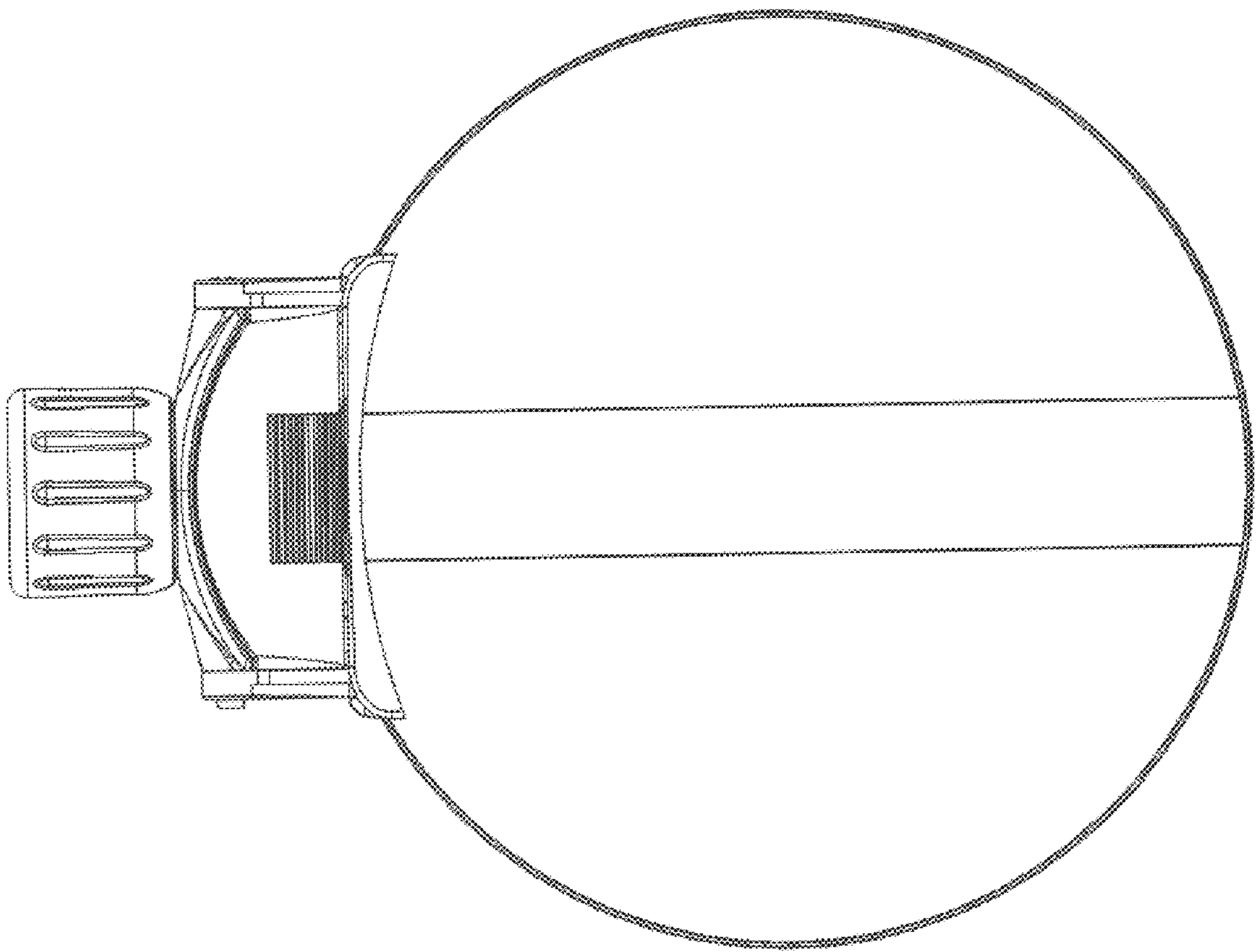


Fig. 7

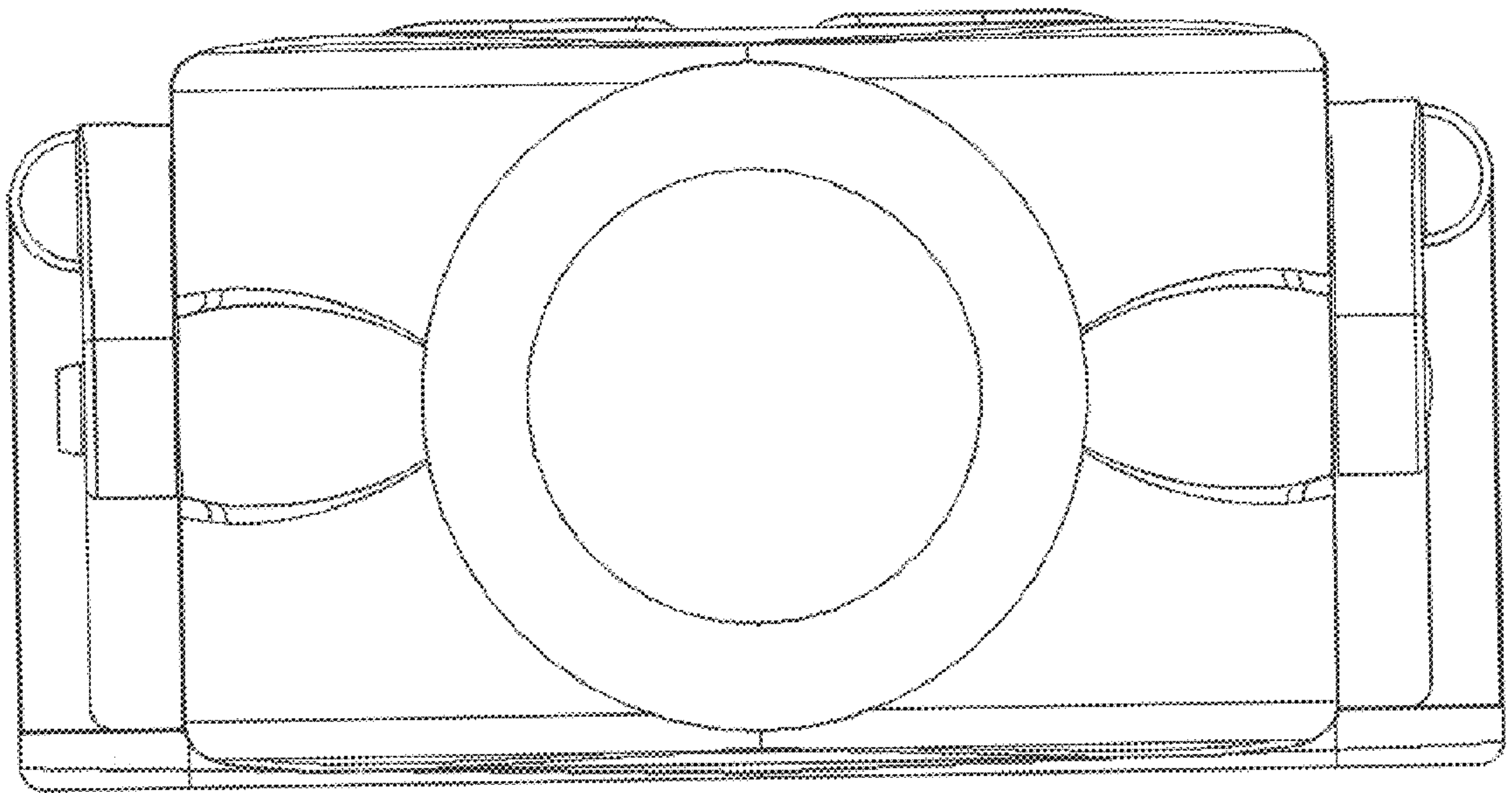


Fig. 8

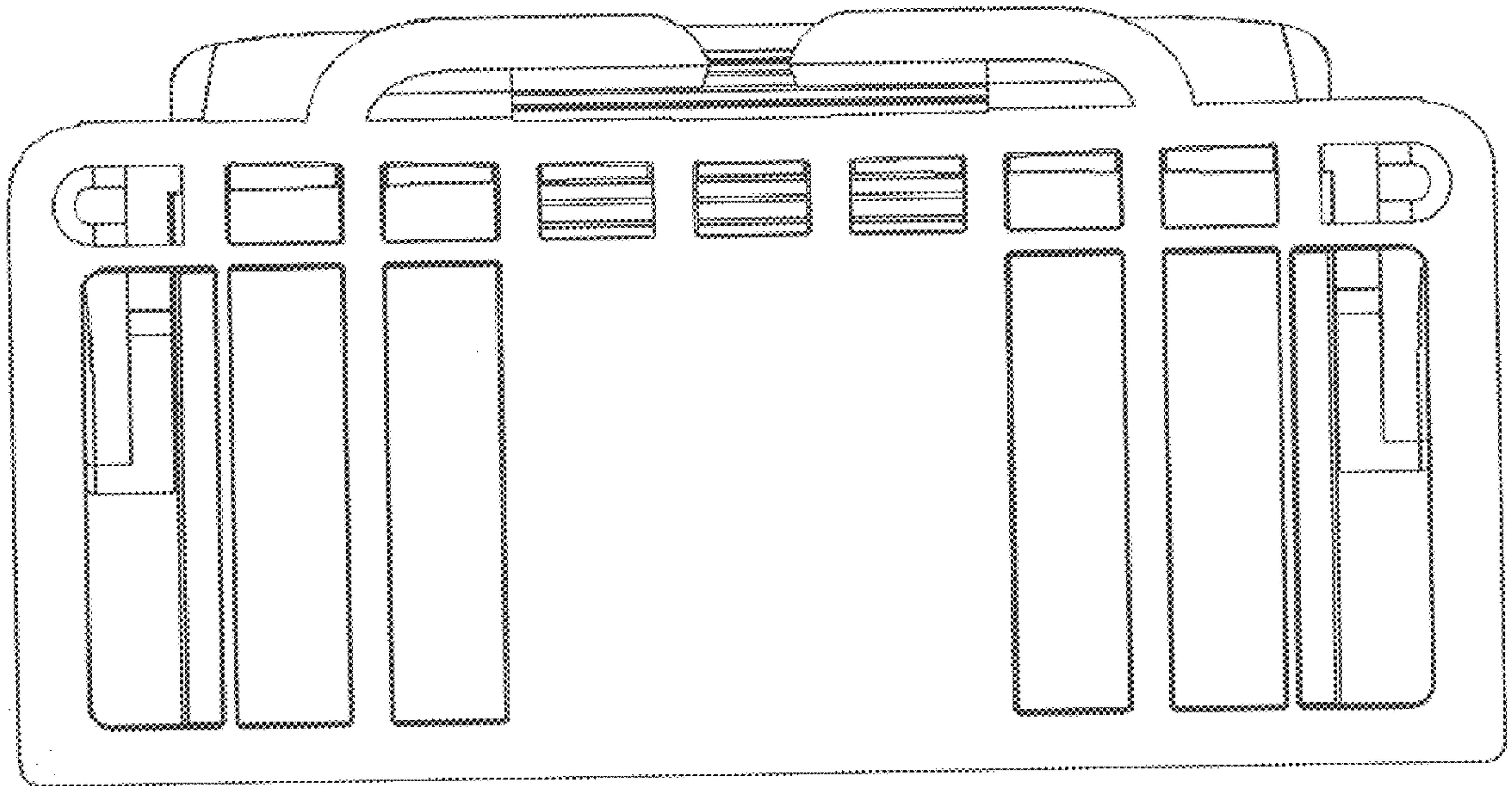


Fig. 9

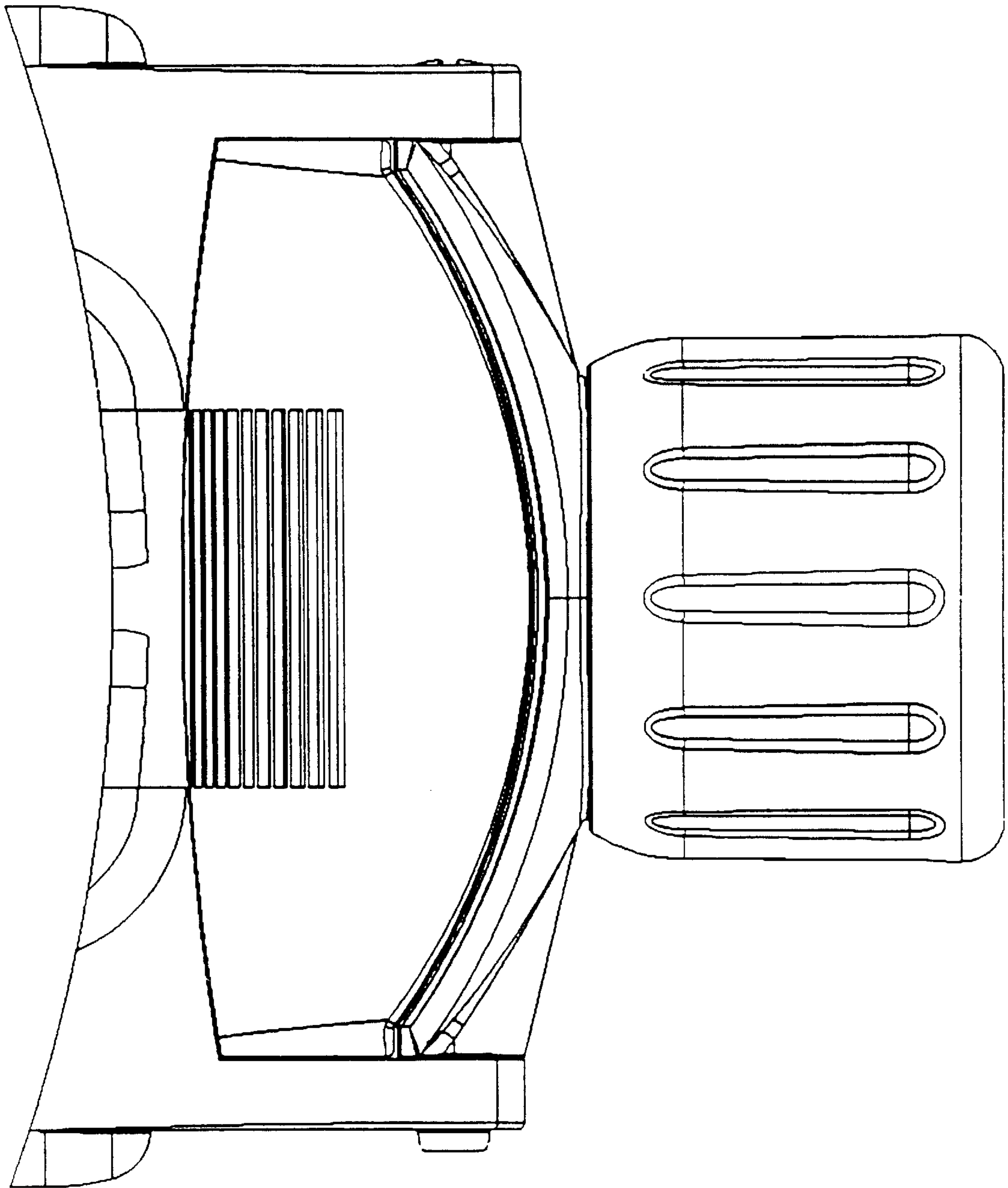


Fig. 10

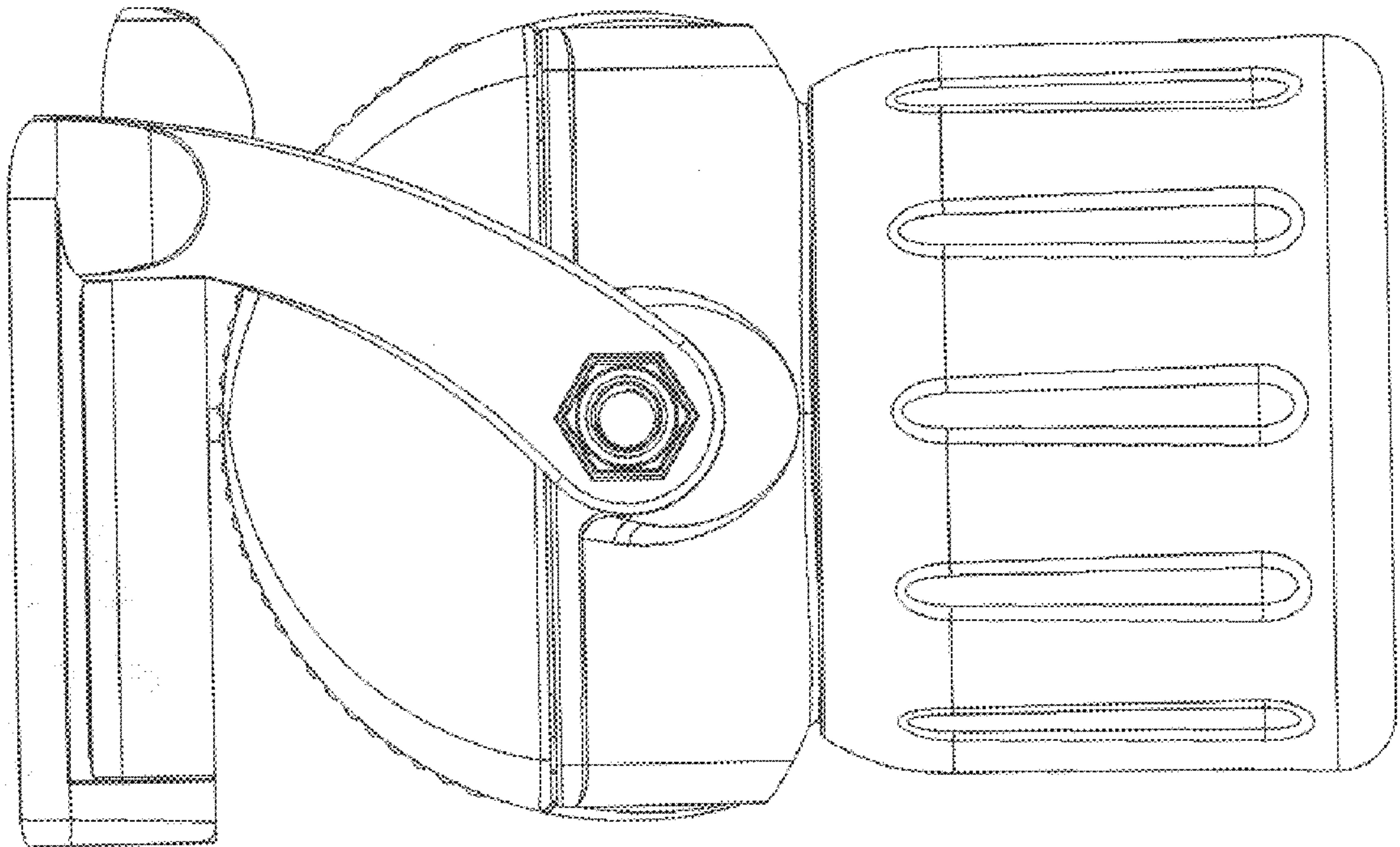


Fig. 11