



US00D465042S

(12) **United States Design Patent**
Bergin et al.

(10) **Patent No.:** **US D465,042 S**

(45) **Date of Patent:** **** Oct. 29, 2002**

(54) **REFLECTOR**

(75) Inventors: **Randall Patrick Bergin**, Seguin, TX (US); **Michael J. Russo**, Cincinatti, OH (US); **Honesto Daet Quiogue**, Florence, KY (US); **Ronald Paul Leonard**, Cincinatti, OH (US); **Thomas Edward Kuhlmann**, Cincinatti, OH (US)

(73) Assignee: **Spaulding Lighting, Inc.**, Cincinatti, OH (US)

(**) Term: **14 Years**

(21) Appl. No.: **29/155,424**

(22) Filed: **Feb. 11, 2002**

(51) **LOC (7) Cl.** **26-06**

(52) **U.S. Cl.** **D26/28**

(58) **Field of Search** D26/28-36, 85, D26/87; 362/61, 74, 147, 330, 331, 336, 372

(56) **References Cited**

U.S. PATENT DOCUMENTS

D330,687 S * 11/1992 Stanuch D26/28

D387,449 S * 12/1997 Lyons D26/28
D409,774 S * 5/1999 Hanlon et al. D26/28
D442,304 S * 5/2001 Huang D26/28

* cited by examiner

Primary Examiner—Marcus A. Jackson
(74) *Attorney, Agent, or Firm*—Hunton & Williams

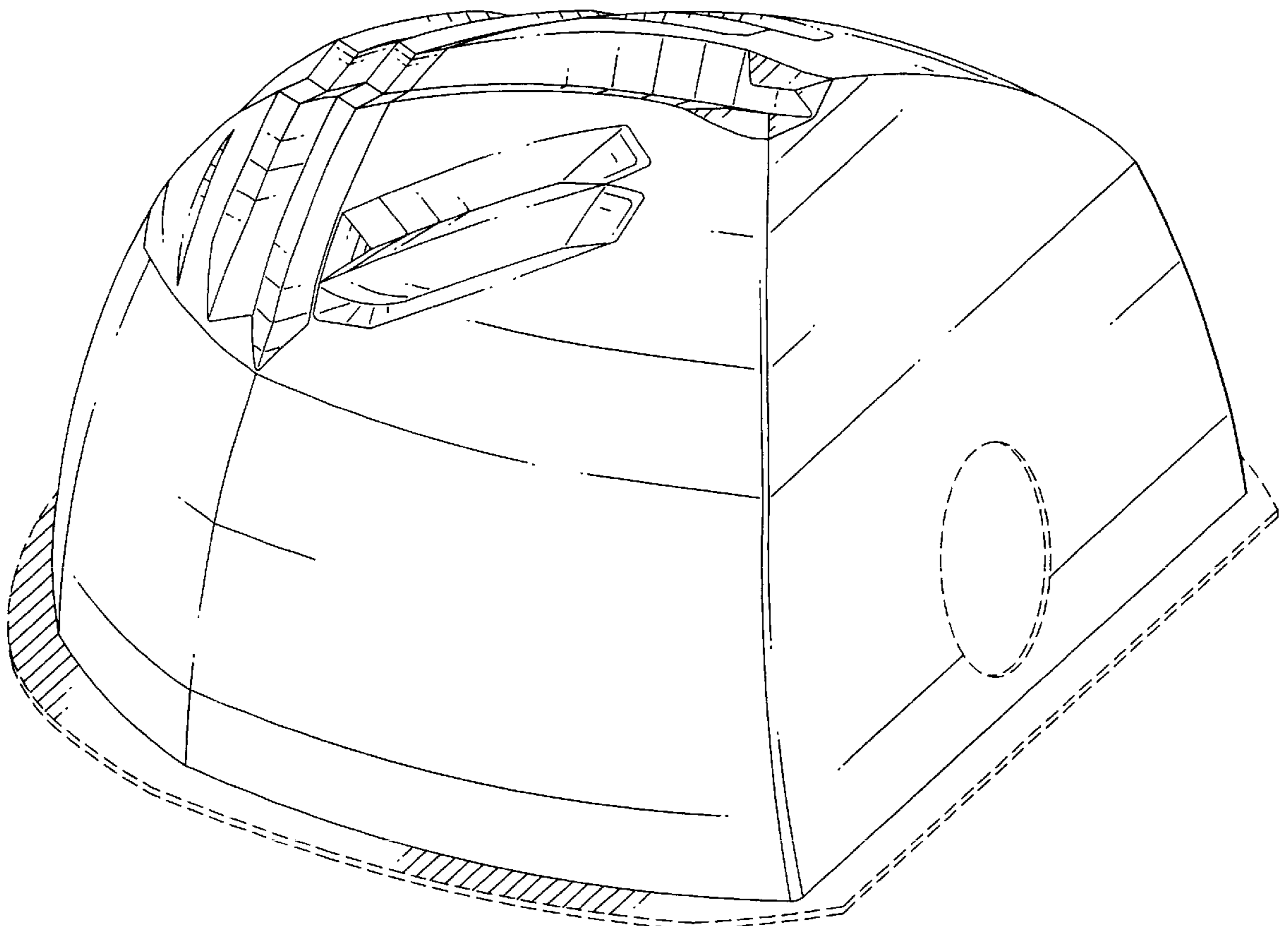
(57) **CLAIM**

The ornamental design for a reflector, as shown and described.

DESCRIPTION

FIG. 1 is an isometric view of the reflector.
FIG. 2 is another isometric view of the reflector of FIG. 1.
FIG. 3 is a left-side view of the reflector of FIG. 1. The right-side view is a mirror image of the left-side view.
FIG. 4 is a front view of the reflector of FIG. 1.
FIG. 5 is a back view of the reflector of FIG. 1; and,
FIG. 6 is a top view of the reflector of FIG. 1.
The broken line illustration of the perimeter of the rim structure and the opening for the lamp holder in FIGS. 1-6 is for illustrative purposes only and forms no part of the claimed design.

1 Claim, 6 Drawing Sheets



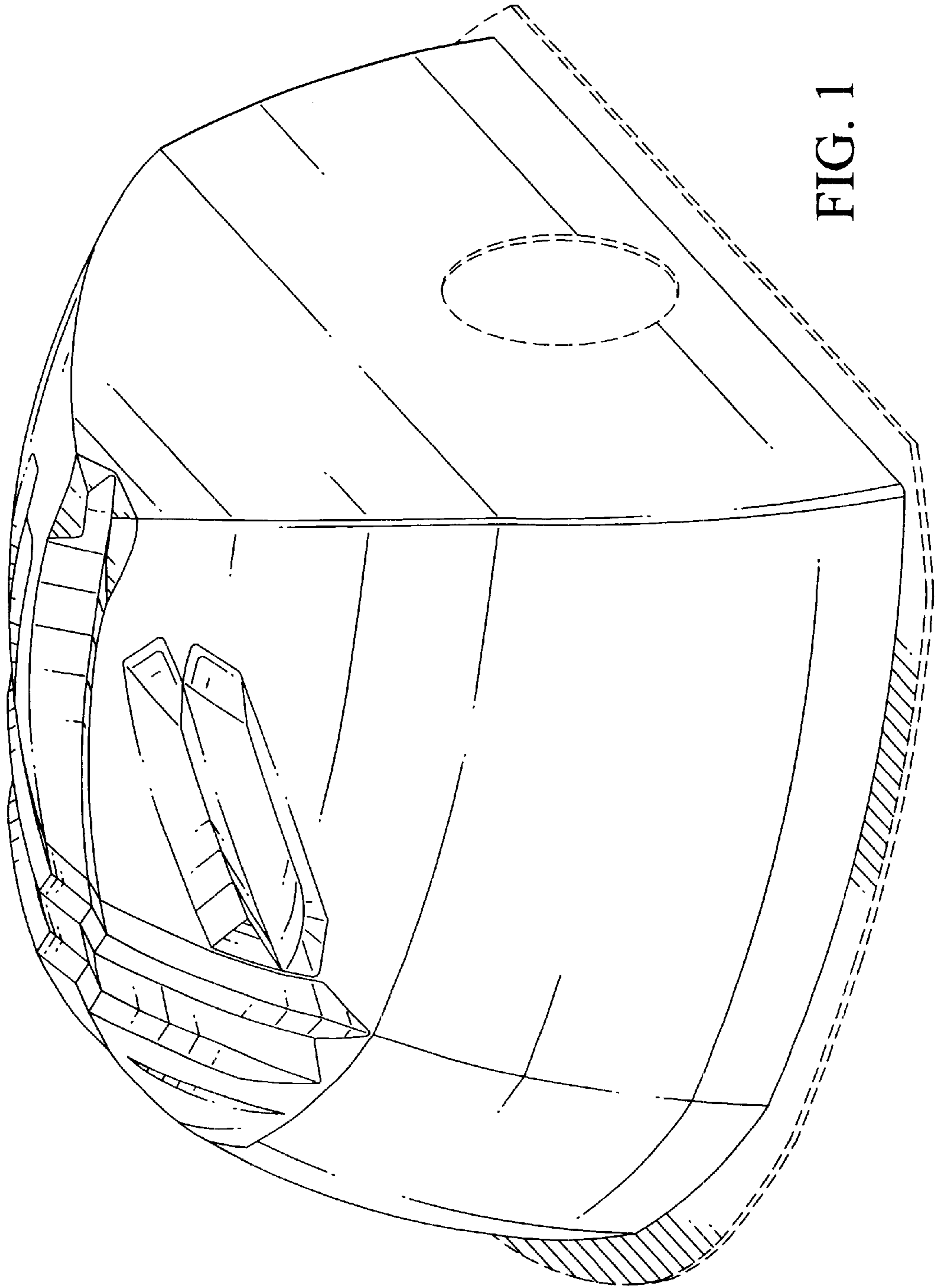


FIG. 1

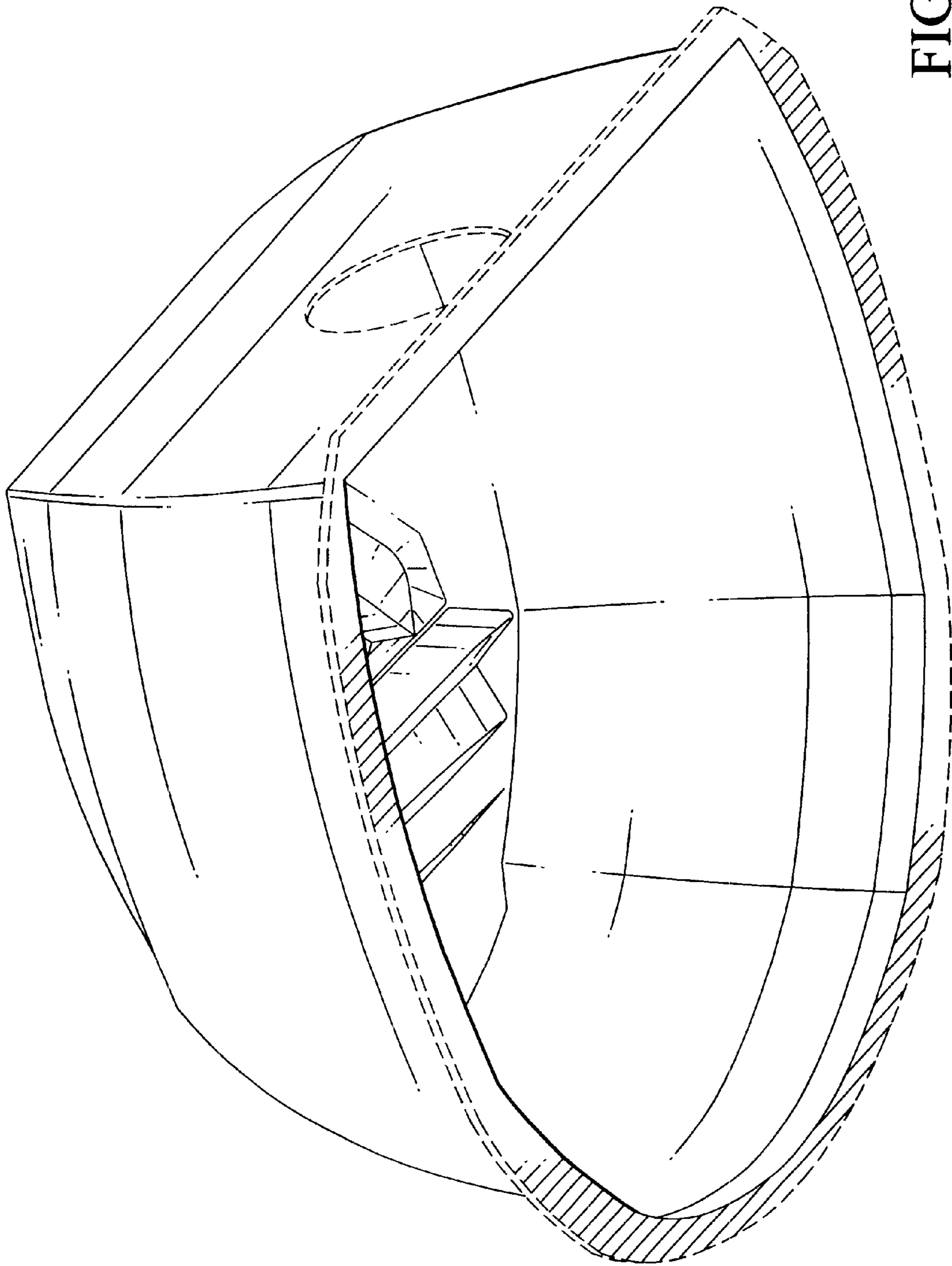


FIG. 2

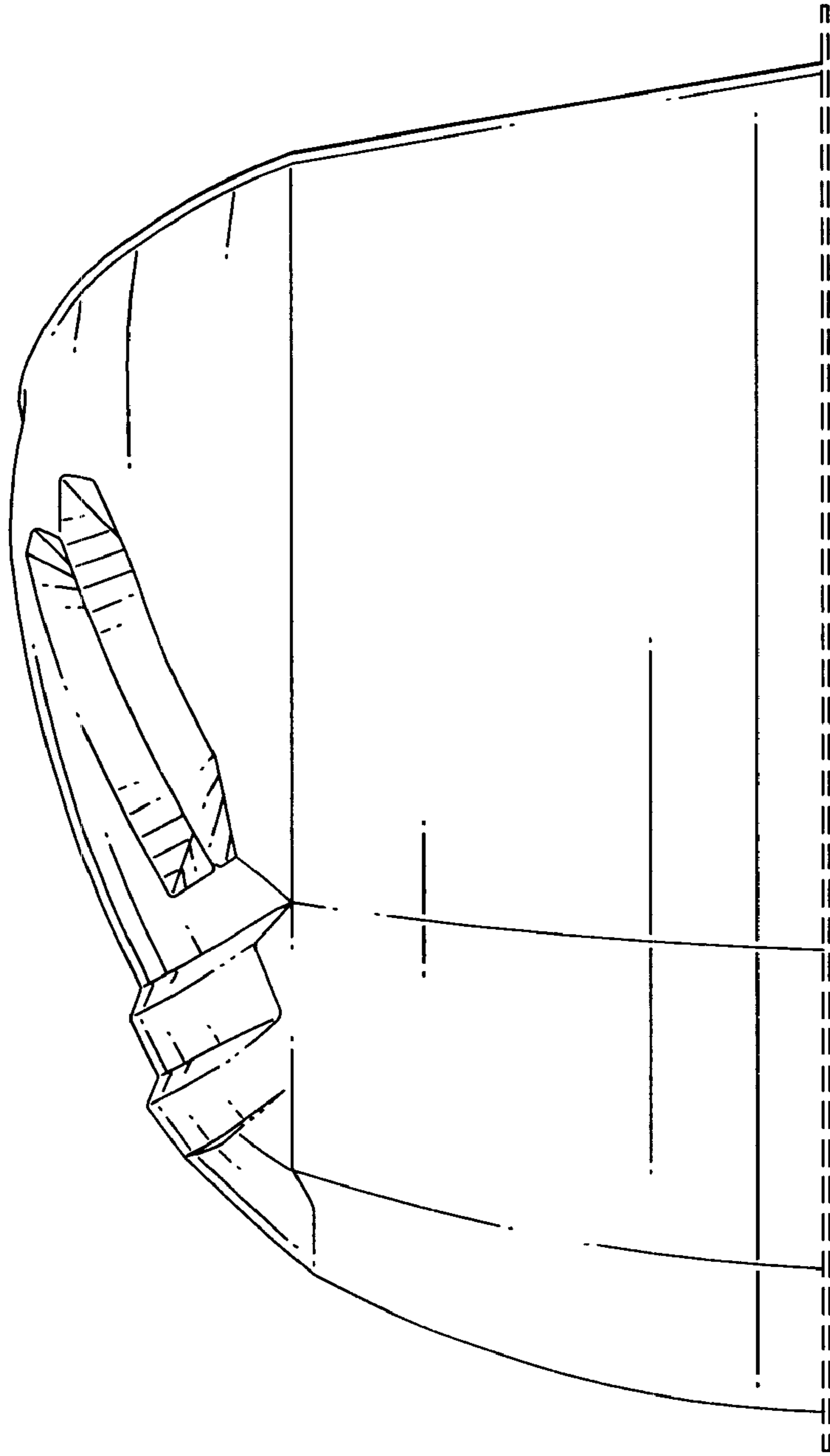


FIG. 3

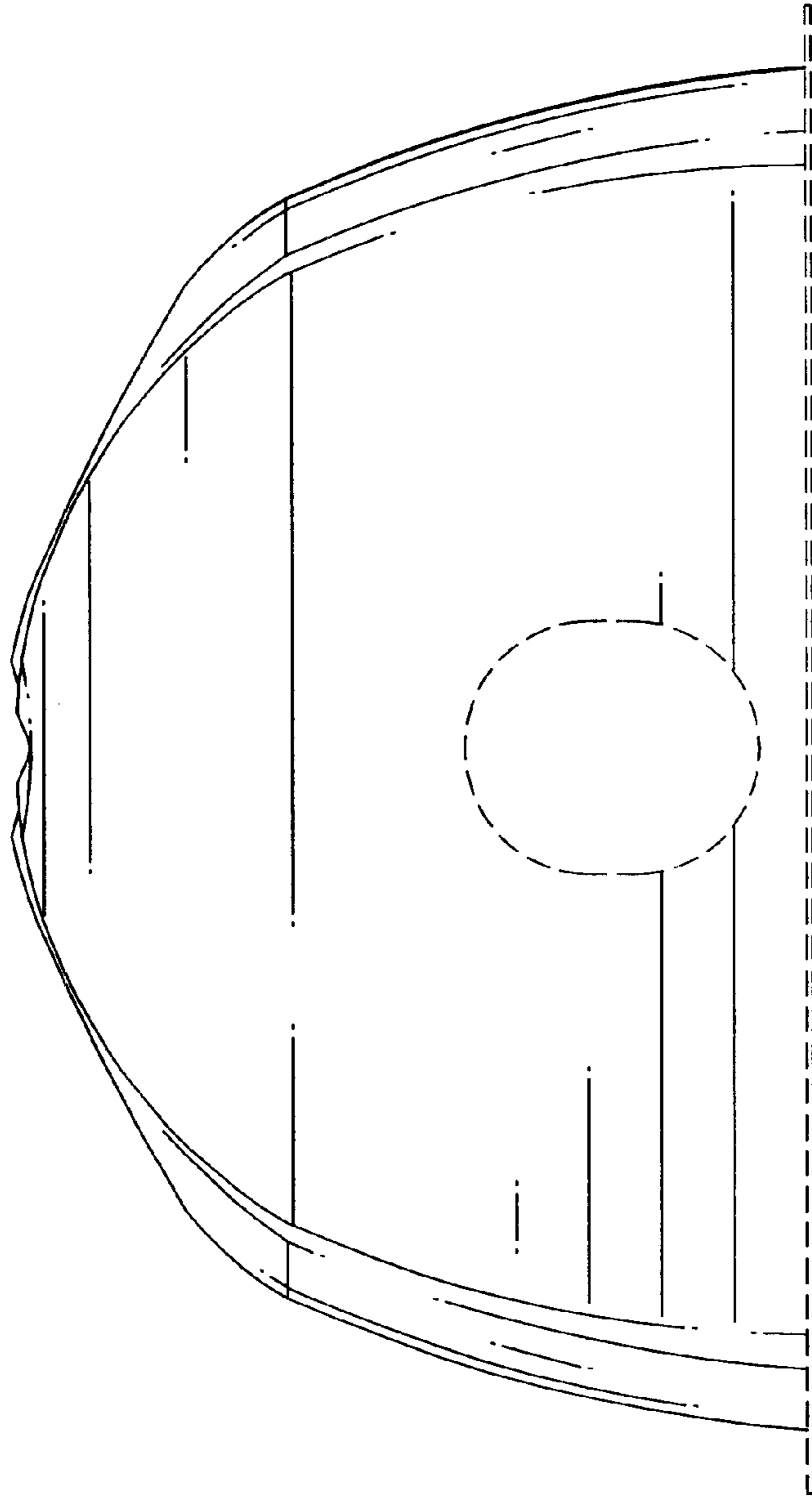


FIG. 4

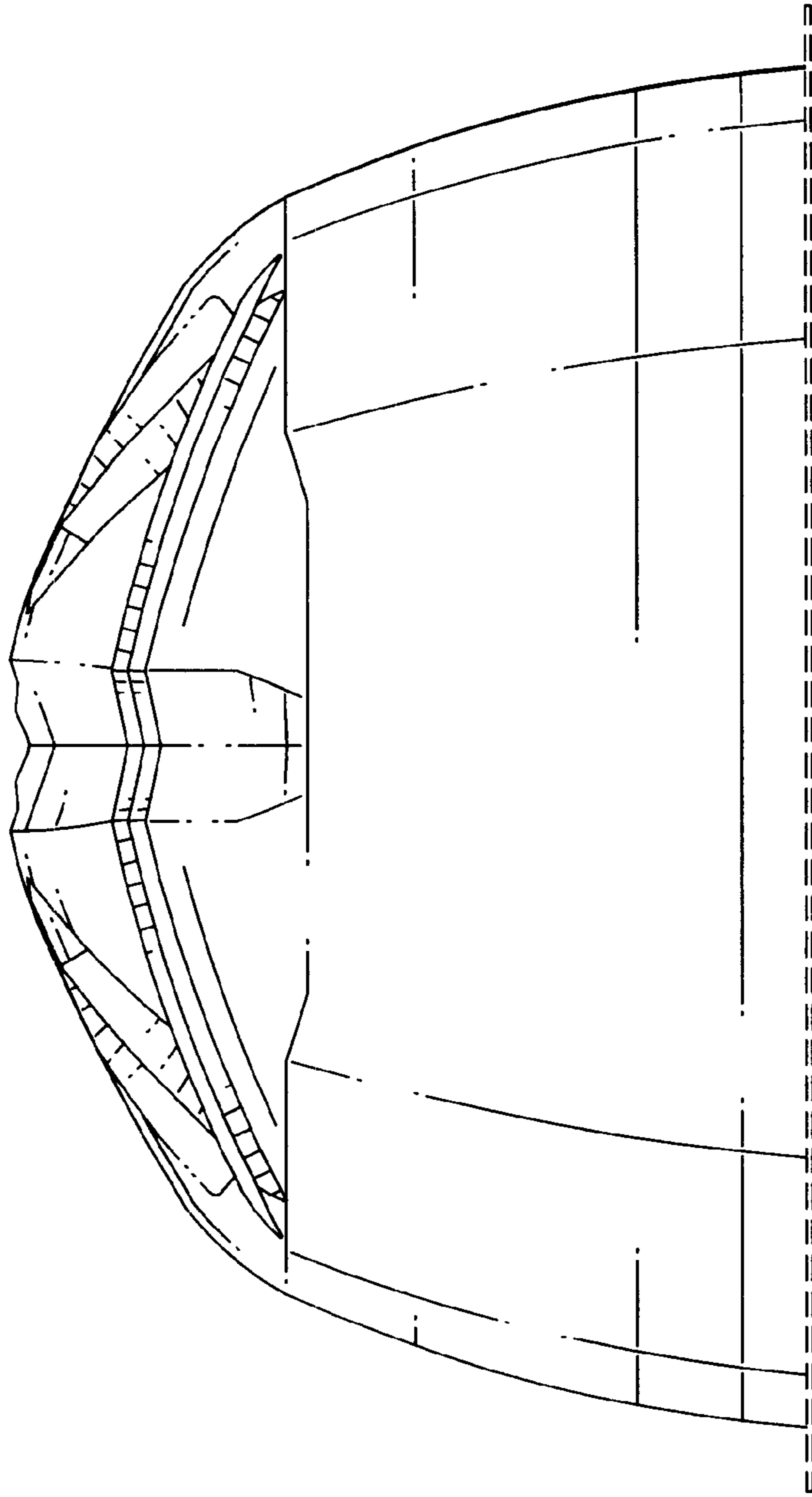


FIG. 5

FIG. 6

