



US00D465038S

(12) **United States Design Patent**  
**Bragg et al.**

(10) **Patent No.: US D465,038 S**

(45) **Date of Patent: \*\* Oct. 29, 2002**

(54) **ILLUMINATION APPARATUS**

4,947,291 A \* 8/1990 McDermott ..... 362/19  
4,963,798 A \* 10/1990 McDermott ..... 362/240

(75) Inventors: **Christopher F. Bragg**, Oakland, CA  
(US); **David Y. Lin**, Castro Valley, CA  
(US)

\* cited by examiner

*Primary Examiner*—Cynthia E. Ramirez

(73) Assignee: **Fiberstars, Inc.**, Fremont, CA (US)

(74) *Attorney, Agent, or Firm*—Fenwick & West, LLP

(\*\*) Term: **14 Years**

(57) **CLAIM**

(21) Appl. No.: **29/123,042**

The ornamental design of an illumination apparatus, as shown and described.

(22) Filed: **May 8, 2000**

**DESCRIPTION**

(51) **LOC (7) Cl.** ..... **26-25**

FIG. 1 is a perspective view of the illumination apparatus according to the present invention;

(52) **U.S. Cl.** ..... **D26/27**

FIG. 2 is a top perspective view of an end segment of FIG. 1;

(58) **Field of Search** ..... D26/4, 1, 24, 27,  
D26/75; 362/240, 231, 227, 800, 801

FIG. 3 is a perspective view of one end segment of FIG. 1; FIG. 4 is a perspective view of an opposite end segment of FIG. 1; and,

(56) **References Cited**

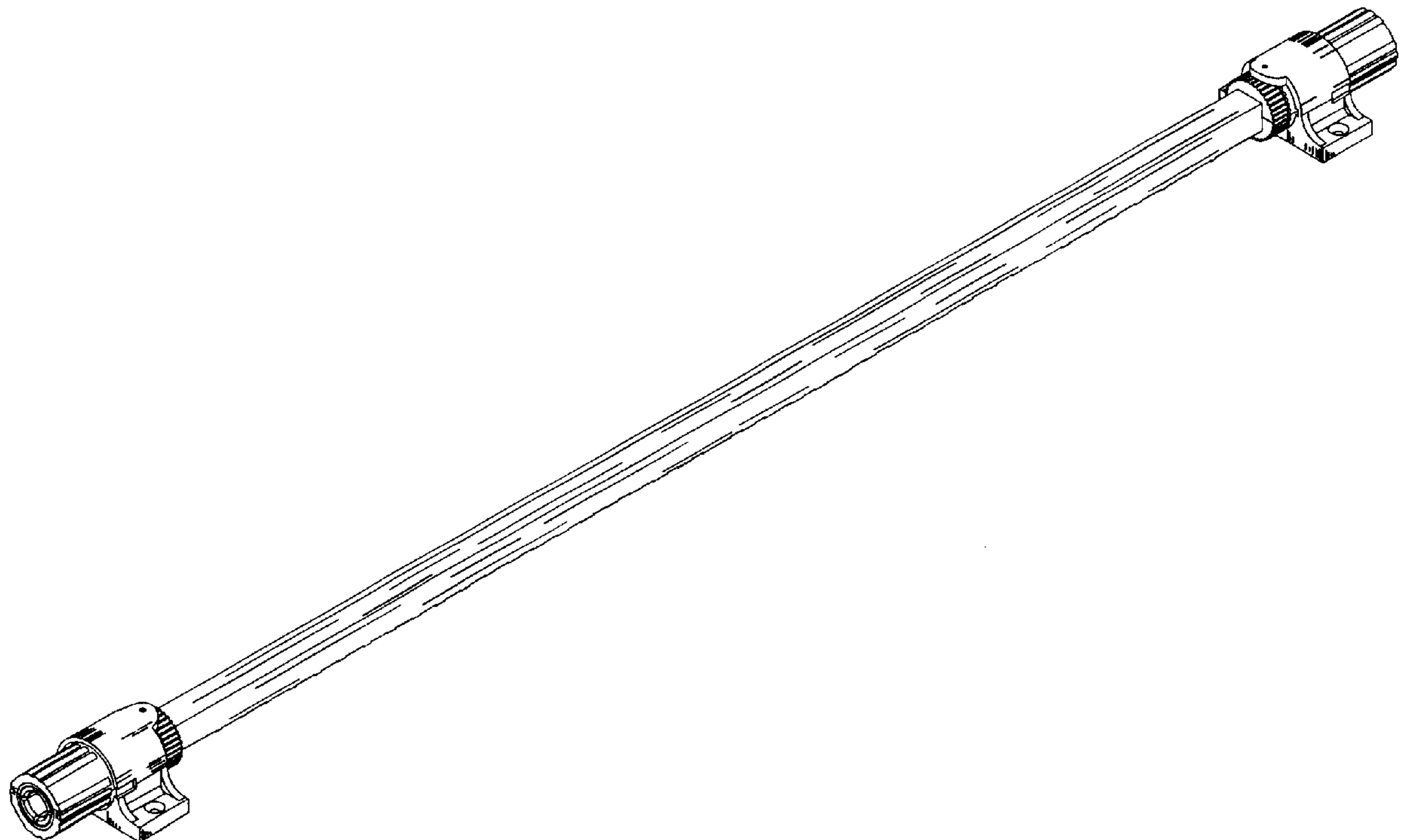
**U.S. PATENT DOCUMENTS**

FIGS. 5 and 6 comprise a front perspective view of the illumination apparatus of FIG. 1.

D244,561 S	*	5/1977	Dacal	.....	D26/3
D244,794 S	*	6/1977	Dacal	.....	D26/3
D250,289 S	*	11/1978	Dacal	.....	D26/3
D265,934 S	*	8/1982	Ellersick	.....	D26/118
D268,442 S	*	3/1983	Darmon	.....	D26/24
D280,025 S	*	8/1985	Waters	.....	D26/24

The illumination apparatus is being shown broken away in FIGS. 2 through 6 for convenience of illustration.

**1 Claim, 3 Drawing Sheets**



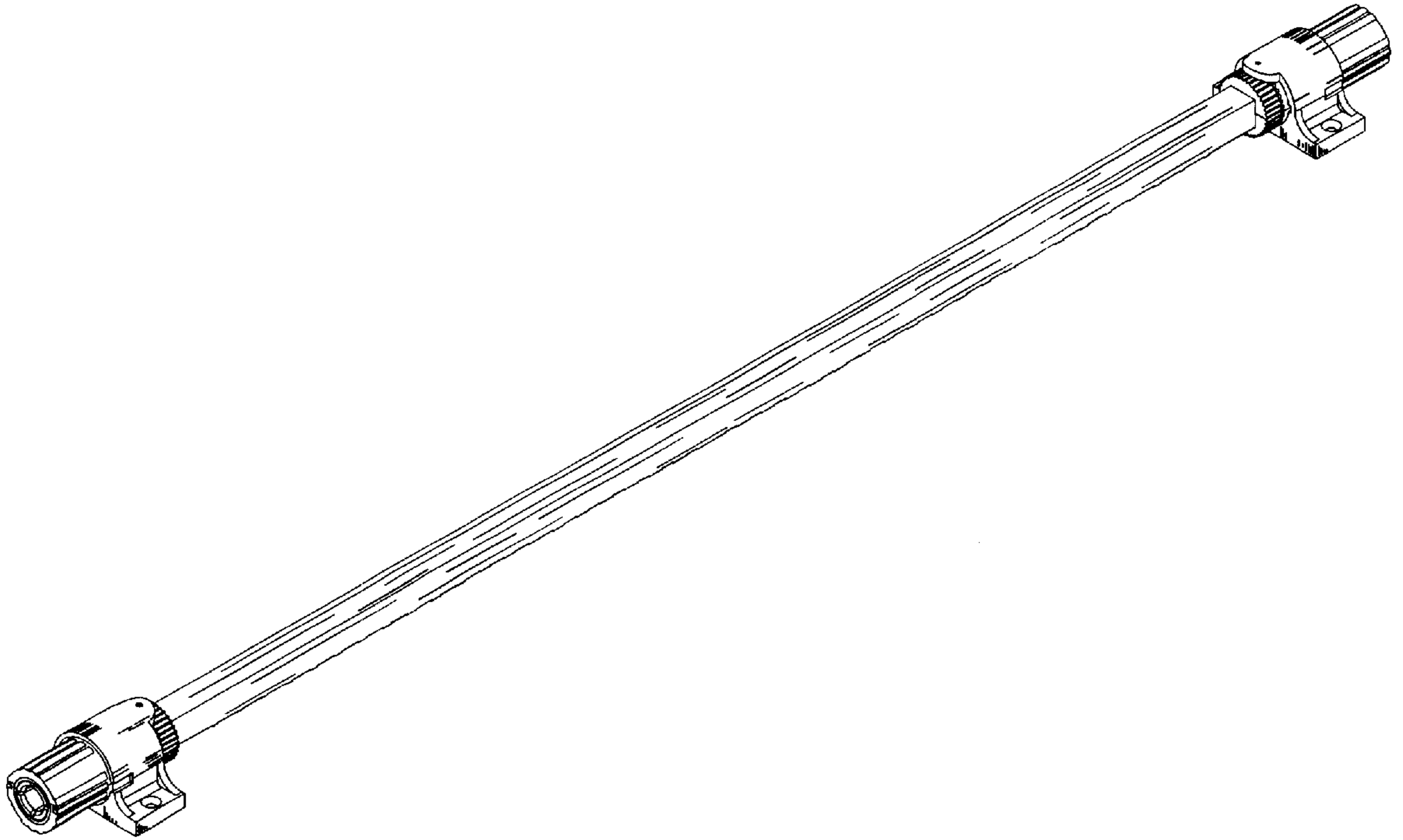


FIGURE 1

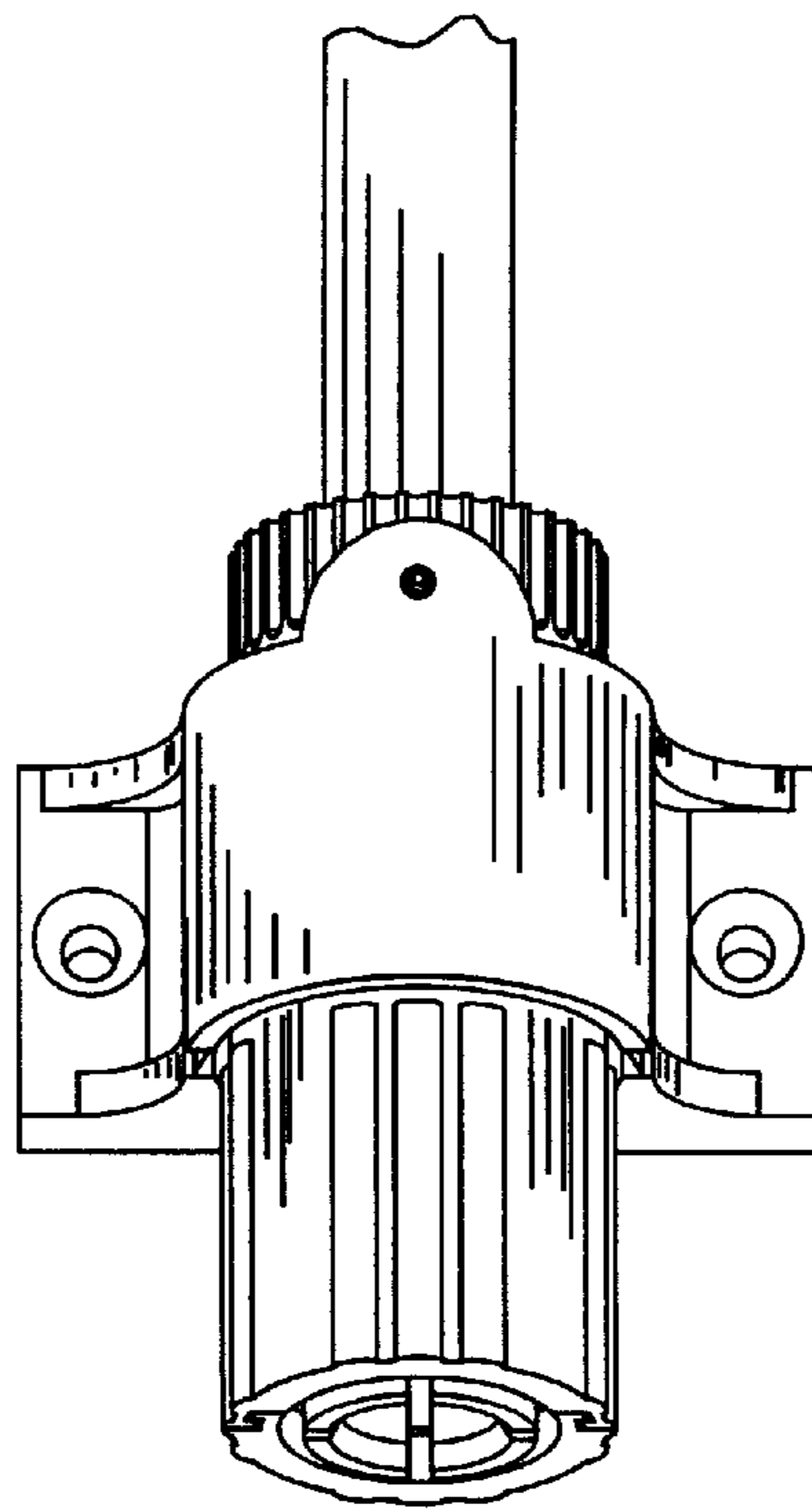


FIGURE 2

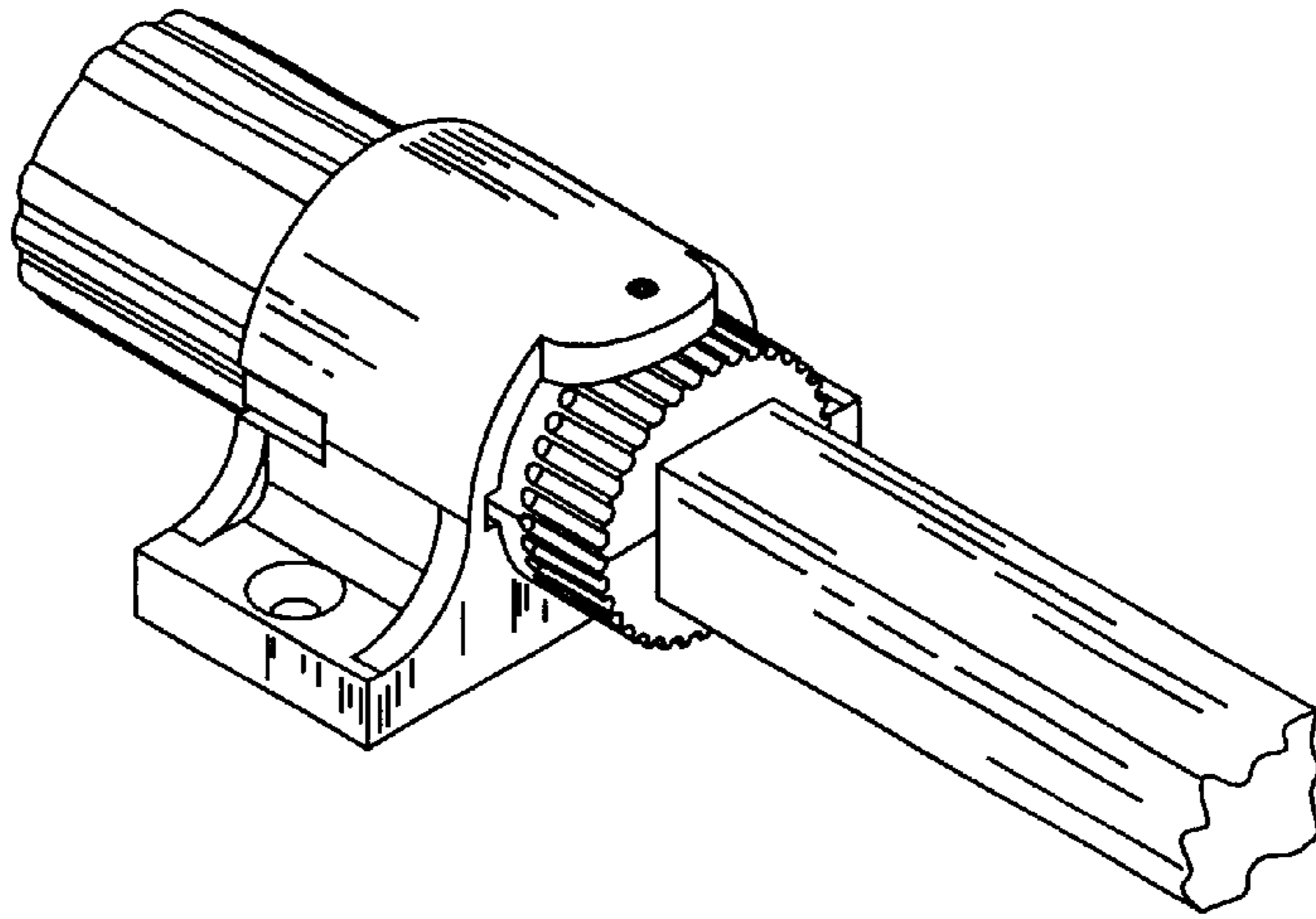


FIGURE 3

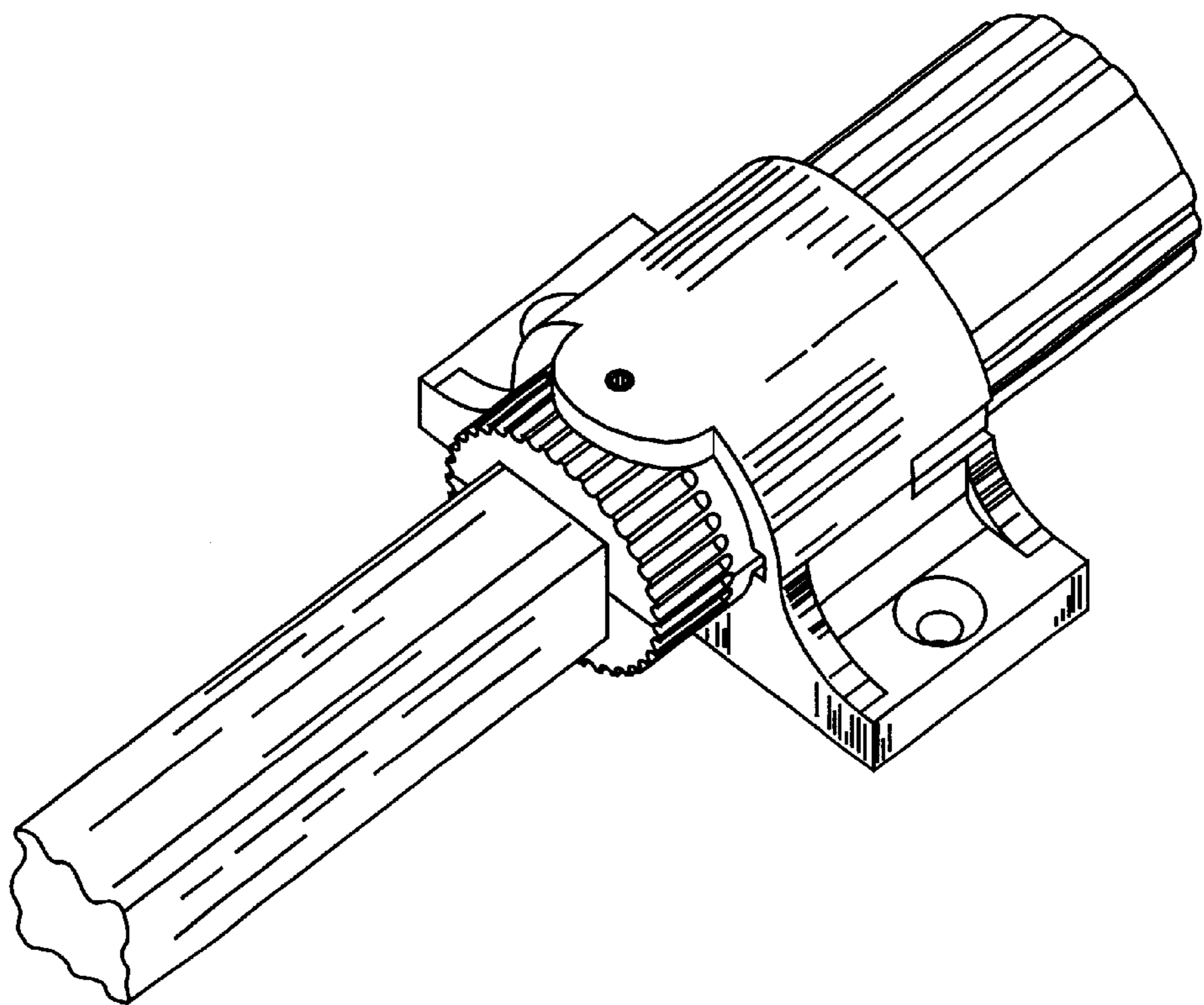


FIGURE 4

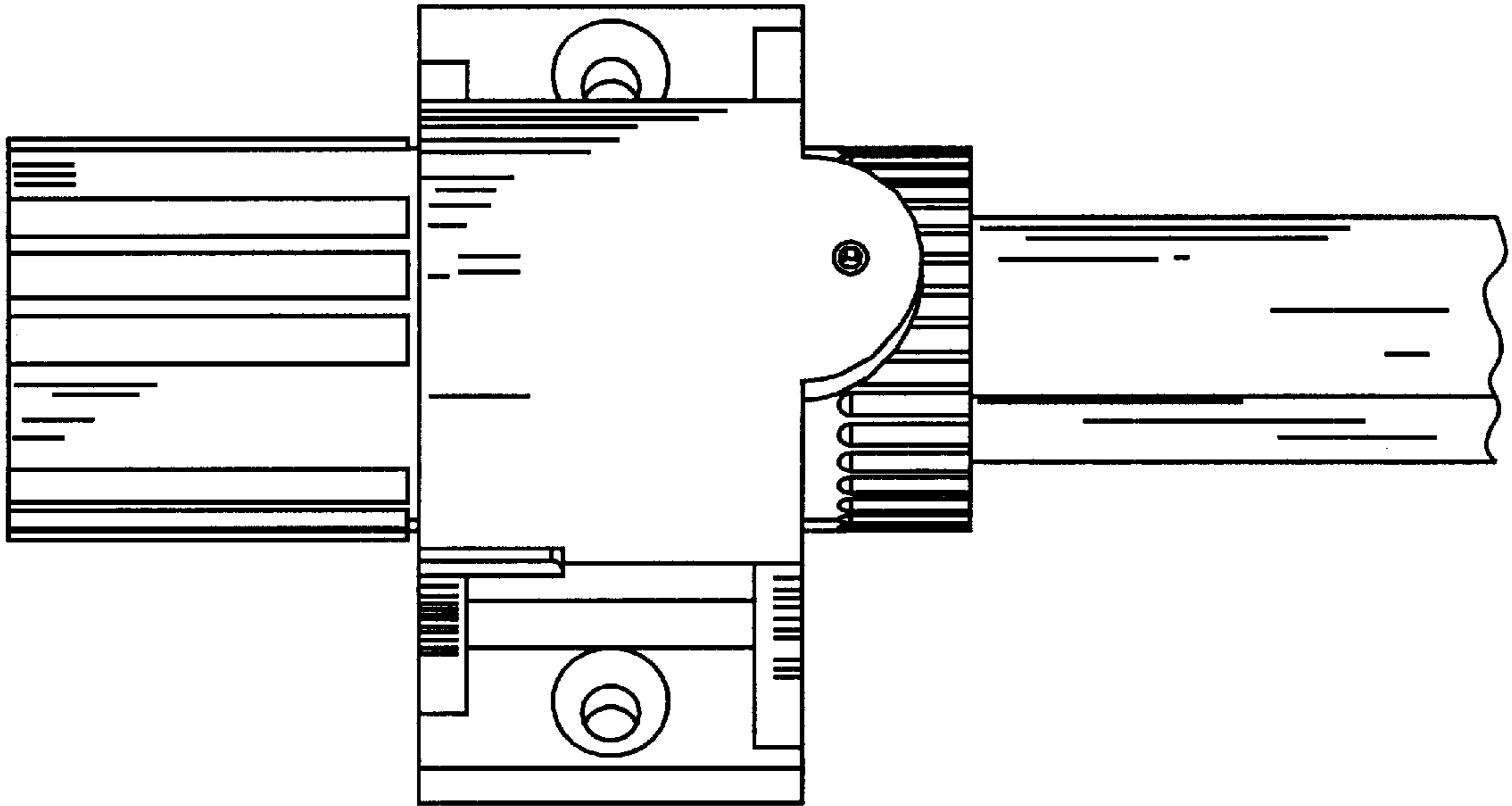


FIGURE 5

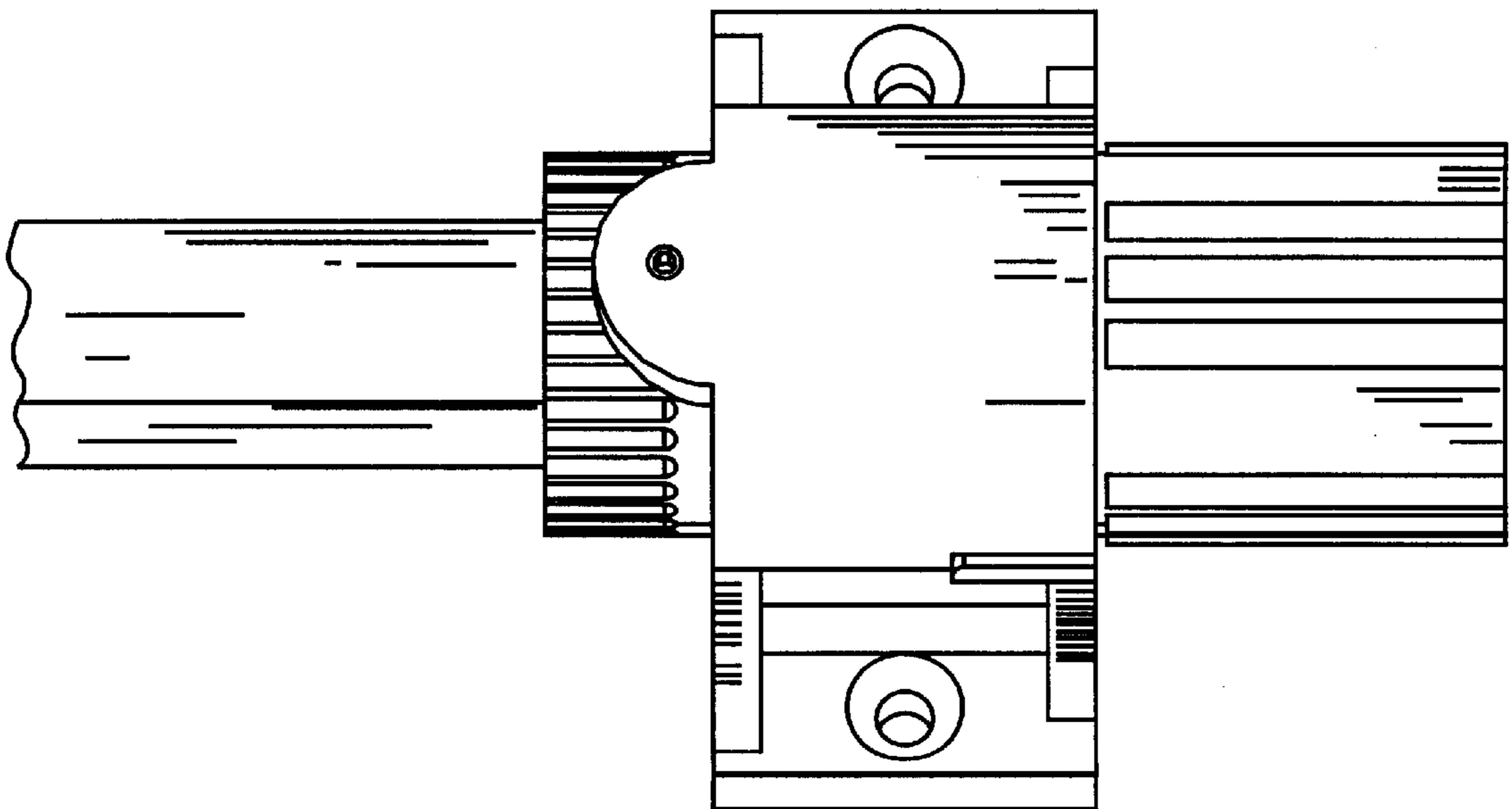


FIGURE 6