



US00D465036S

(12) **United States Design Patent**
Spruill

(10) **Patent No.:** **US D465,036 S**

(45) **Date of Patent:** **** Oct. 29, 2002**

(54) **FENCE CAP INSULATOR**

(76) **Inventor:** **James F. Spruill**, 4605 Sears Rd.,
Pegram, TN (US) 37143

(**) **Term:** **14 Years**

(21) **Appl. No.:** **29/151,616**

(22) **Filed:** **Oct. 19, 2001**

Related U.S. Application Data

(62) Division of application No. 09/518,243, filed on Mar. 3,
2000, now Pat. No. 6,198,032.

(51) **LOC (7) Cl.** **25-01**

(52) **U.S. Cl.** **D25/135**

(58) **Field of Search** 256/48, 1; 52/300;
D25/135; 174/74 A, 158 F, 161 F

(56) **References Cited**

U.S. PATENT DOCUMENTS

2,721,891 A	10/1955	Kersten	174/158
4,090,472 A	5/1978	York	119/20
4,516,756 A	5/1985	Beatty	256/19
4,520,231 A	5/1985	Hubbell	256/10
4,623,756 A	11/1986	Wilson, Jr.	174/158
4,680,428 A	7/1987	Wilson, Jr.	174/158
4,717,123 A	1/1988	Wrigley	256/10
4,725,825 A	2/1988	McKean	340/660
4,836,504 A	6/1989	Fingerson et al.	256/10
4,866,218 A	9/1989	Wilson, Jr.	174/158
5,085,409 A *	2/1992	Teixeira	174/158 F
5,207,178 A	5/1993	McDade et al.	119/29
5,255,896 A	10/1993	Letarte et al.	256/10
5,419,536 A	5/1995	Bender	256/1
5,421,556 A	6/1995	Dodge et al.	256/1

5,441,240 A	8/1995	Arnold	256/24
5,628,494 A	5/1997	Arnold	256/24
5,645,270 A	7/1997	Larwence	256/66
5,702,090 A	12/1997	Edgman	256/19
5,931,450 A	8/1999	Yoder	256/19
6,076,807 A	6/2000	Spence	256/1
6,149,135 A	11/2000	Hlavin	256/19

* cited by examiner

Primary Examiner—Doris Clark
(74) *Attorney, Agent, or Firm*—Wadley & Patterson; David
B. Pieper

(57) **CLAIM**

What is claimed is the ornamental design for a fence cap insulator, as shown and described.

DESCRIPTION

FIG. 1 is a top-front isometric view showing the fence cap insulator of Applicant's invention.

FIG. 2 is a bottom-front isometric view showing the fence cap insulator of Applicant's invention.

FIG. 3 is a back elevation the fence cap insulator of Applicant's invention.

FIG. 4 is a right side elevation of the fence cap insulator of Applicant's invention.

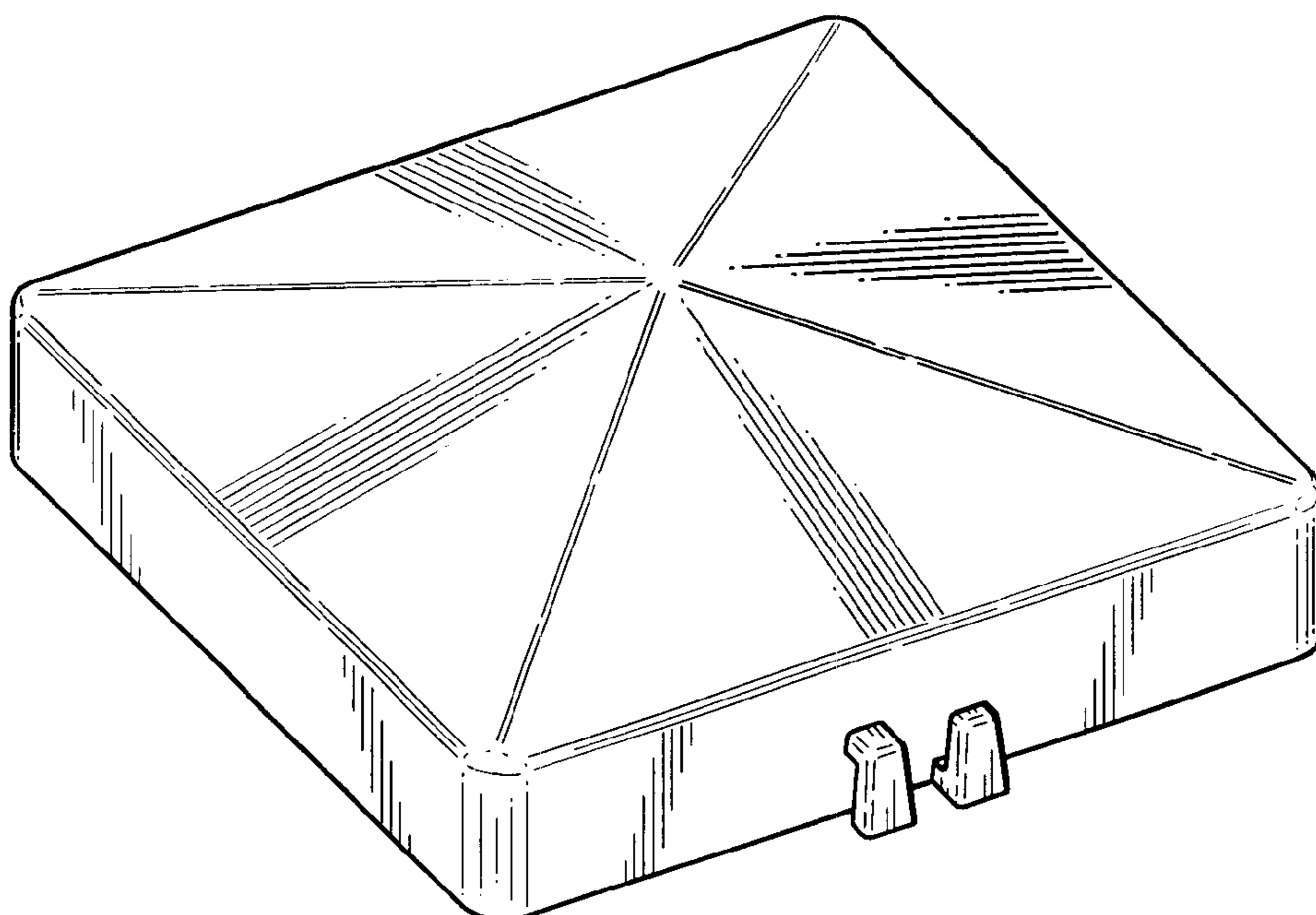
FIG. 5 is a top elevation of the fence cap insulator of Applicant's invention.

FIG. 6 is a left side elevation of the fence cap insulator of Applicant's invention.

FIG. 7 is a front elevation of the fence cap insulator of Applicant's invention, and,

FIG. 8 is a bottom view of the fence cap insulator of Applicant's invention.

1 Claim, 2 Drawing Sheets



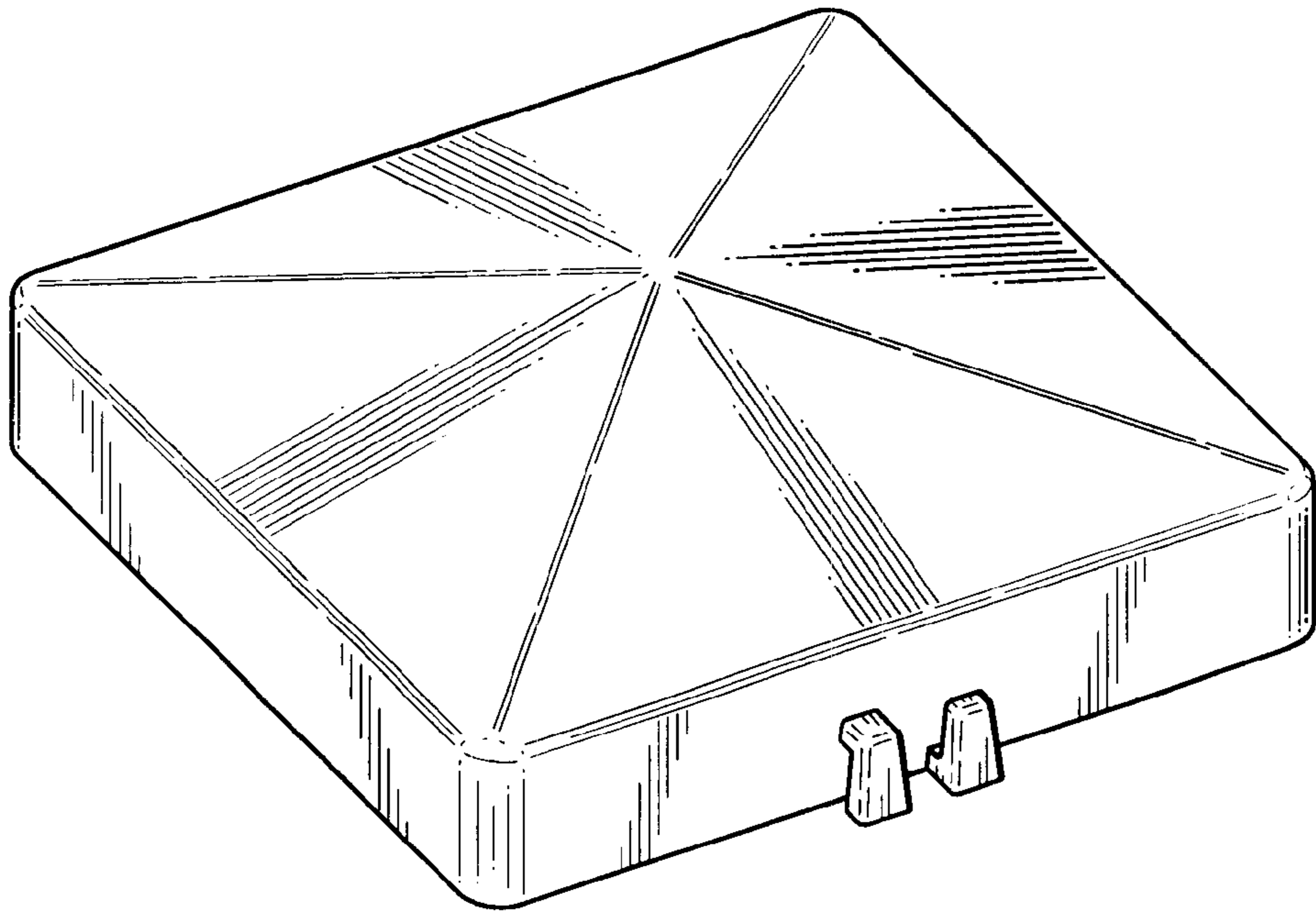


FIG. 1

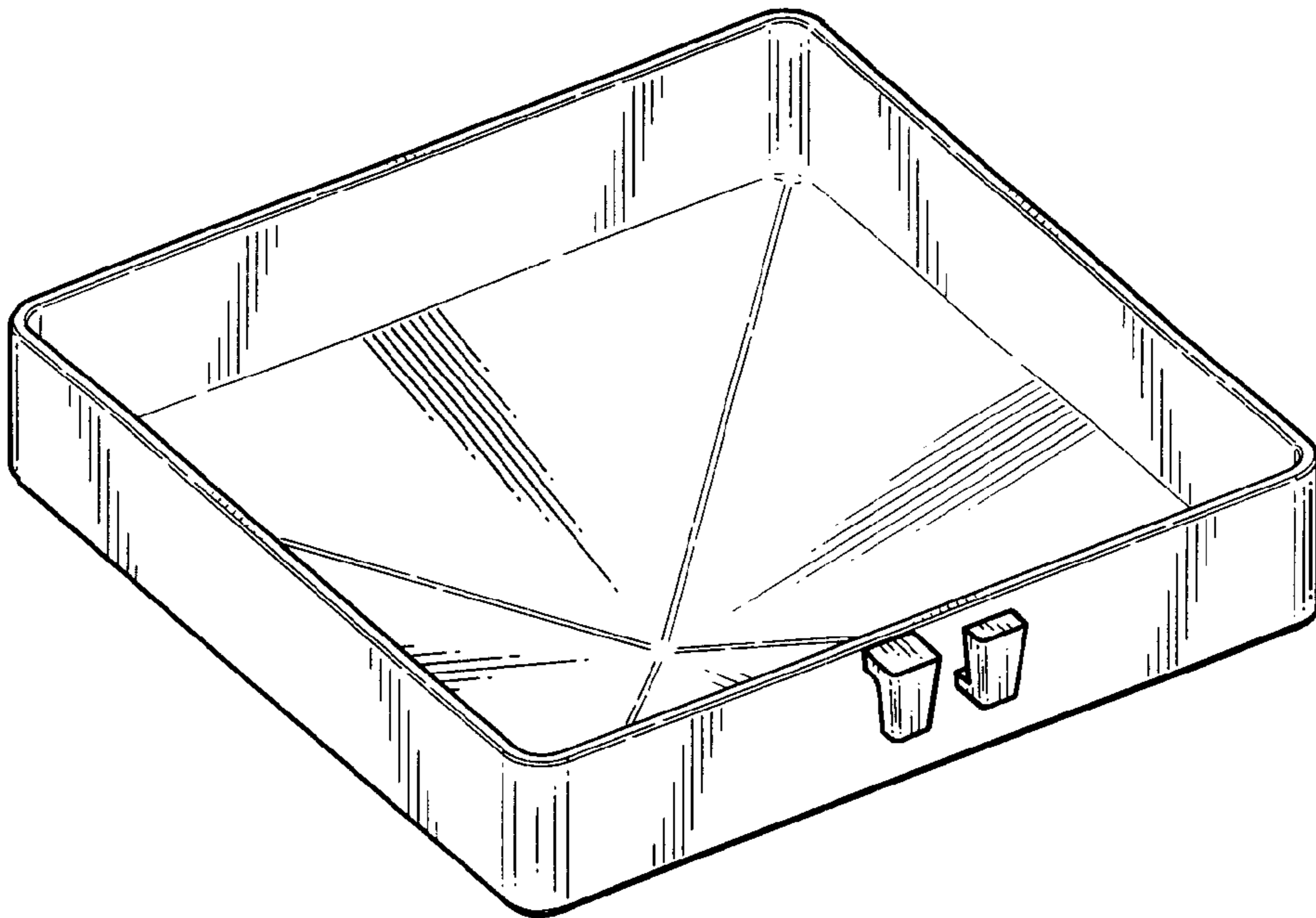


FIG. 2

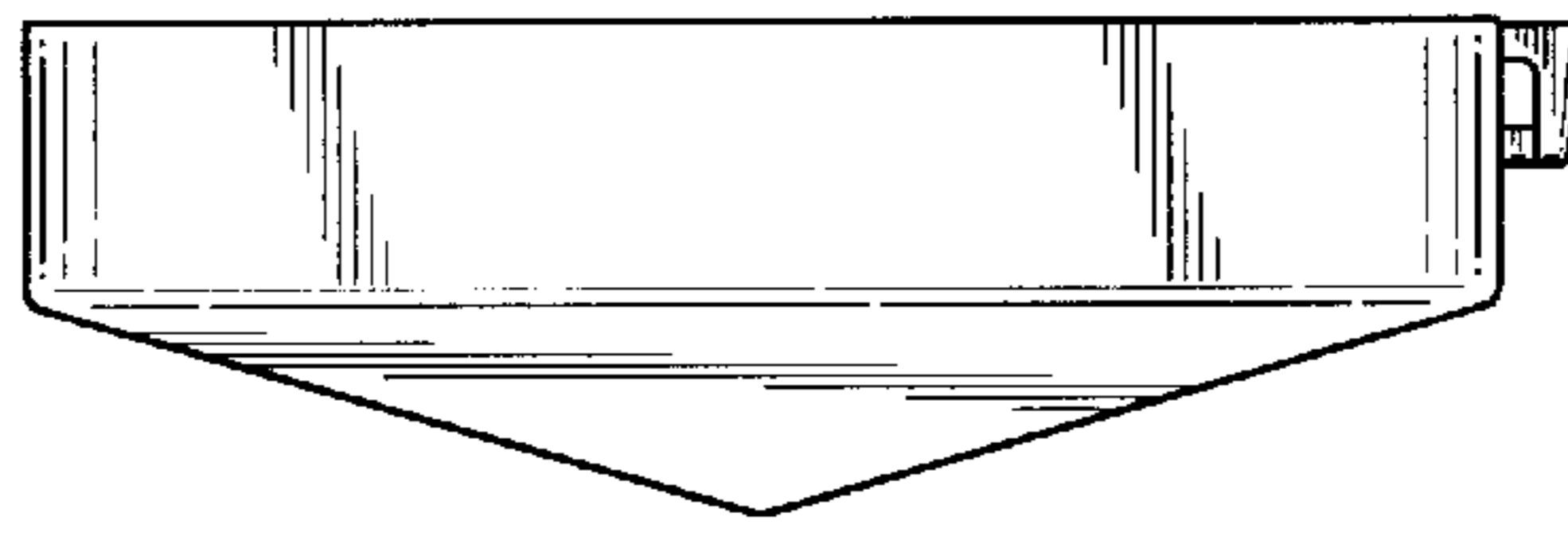


FIG. 4

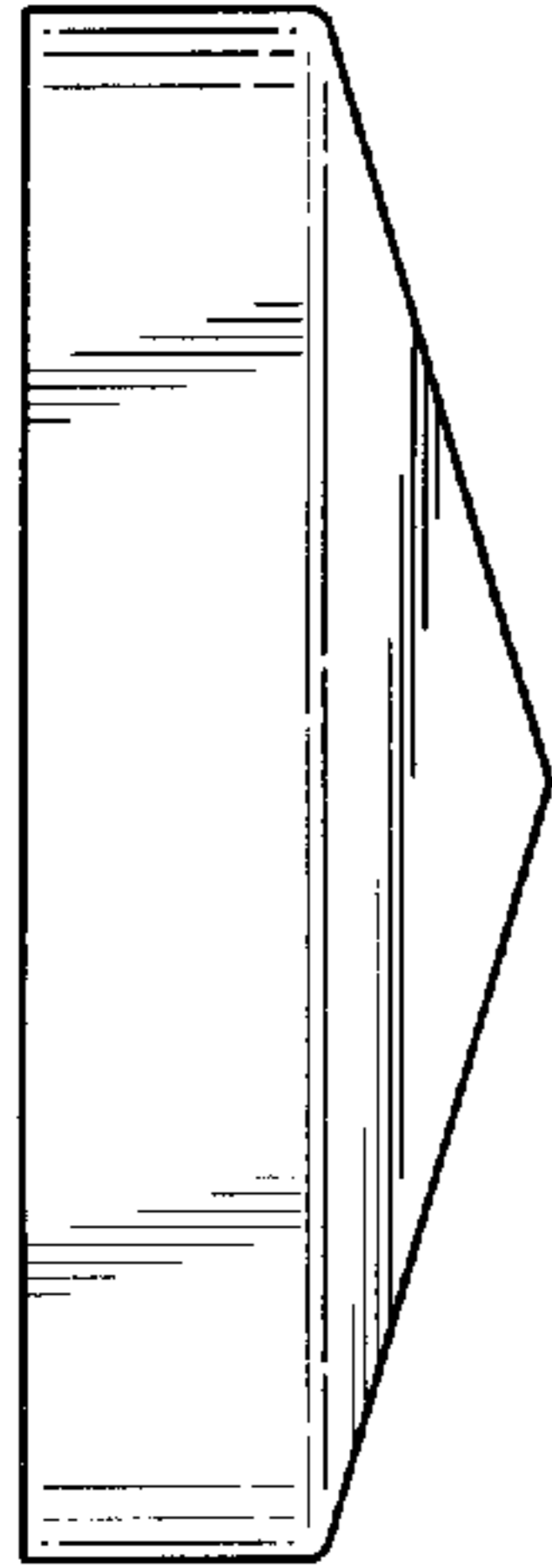


FIG. 3

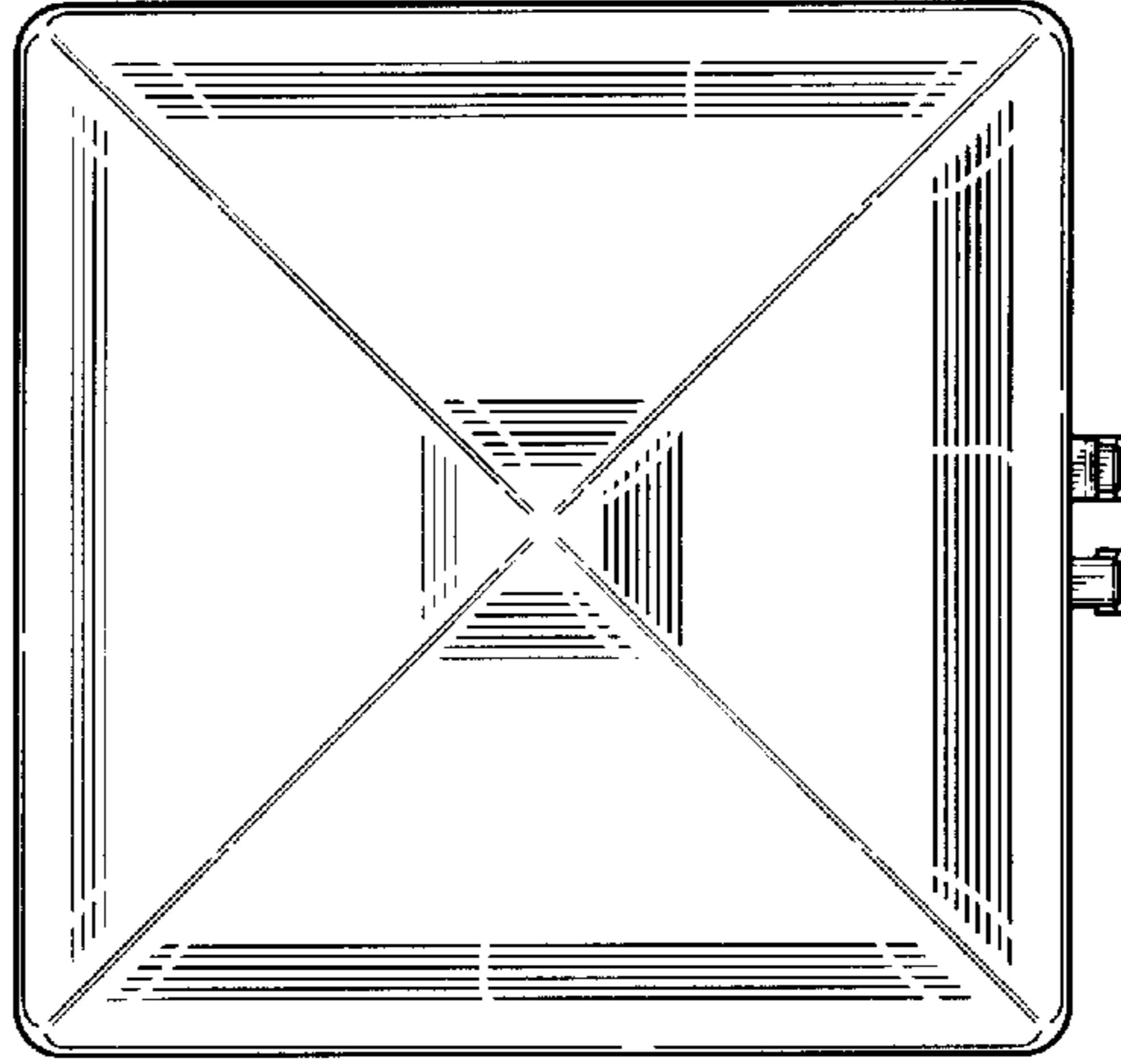


FIG. 5

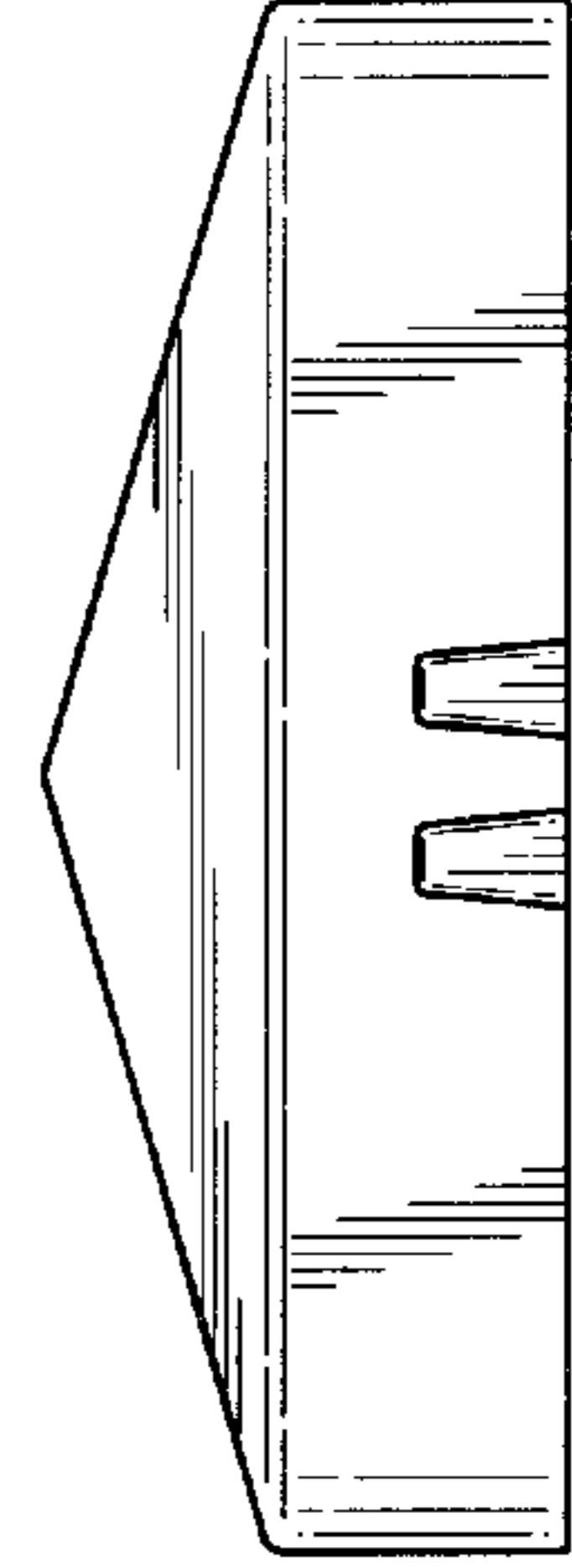


FIG. 7

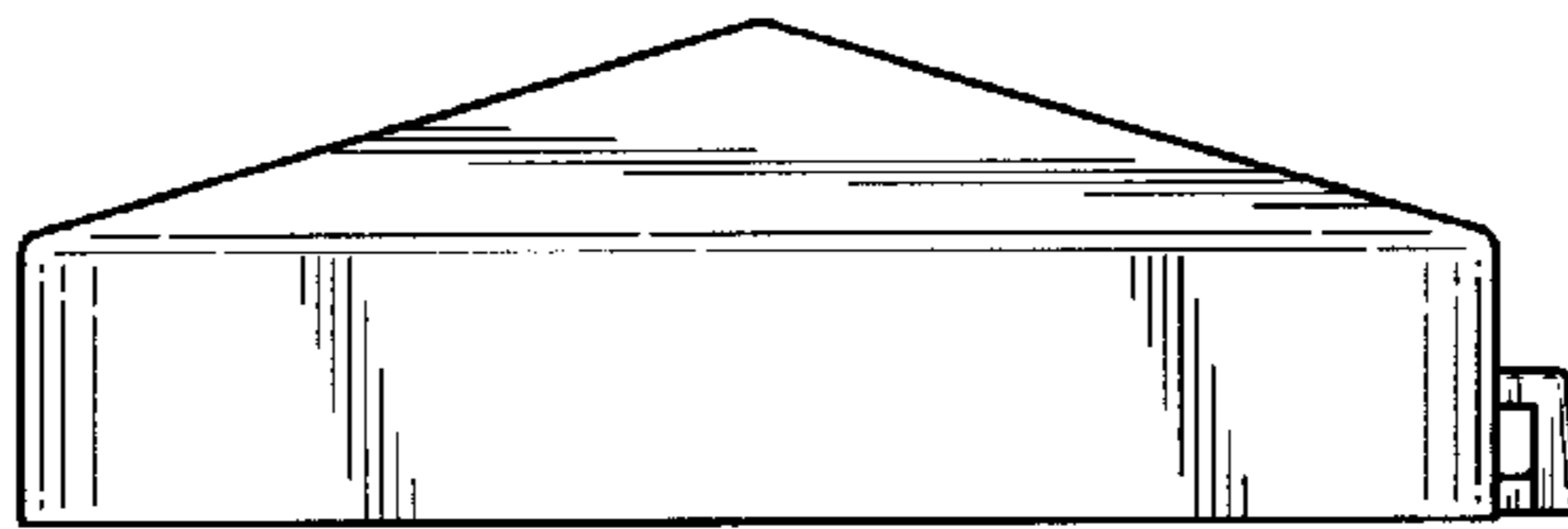


FIG. 6

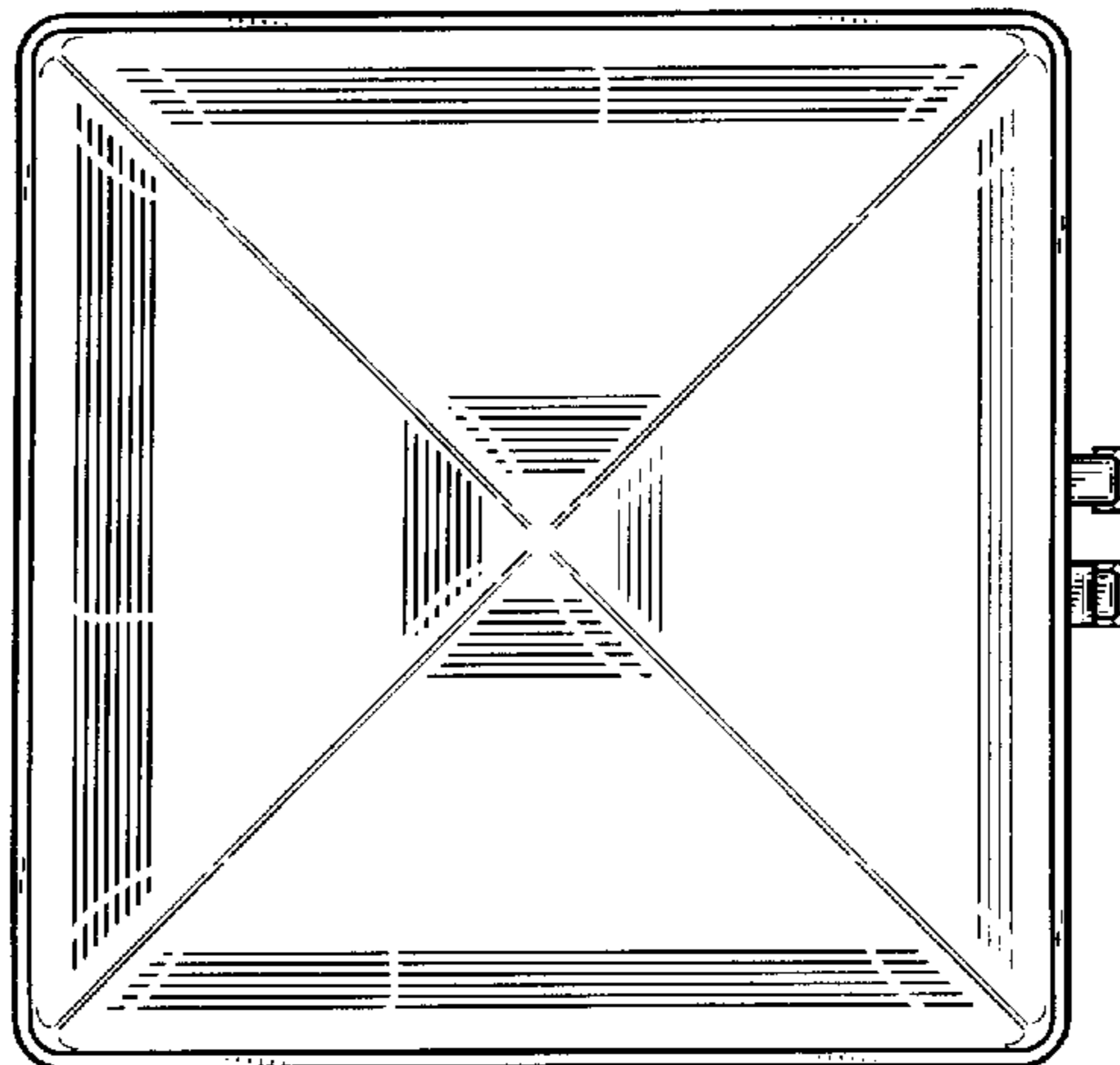


FIG. 8