



US00D465034S

(12) **United States Design Patent**
Mondo

(10) **Patent No.:** **US D465,034 S**

(45) **Date of Patent:** **** Oct. 29, 2002**

(54) **OFFSET BLOCK**

(76) Inventor: **Mark Mondo**, P.O. Box 250, Reno, OH
(US) 45773

(**) Term: **14 Years**

5,605,413 A	2/1997	Brown	
5,607,252 A	3/1997	Tischer	
5,947,452 A	9/1999	Albritton	
5,954,898 A	9/1999	McKague et al.	
6,007,269 A	12/1999	Marinelli	404/6
6,293,727 B1	9/2001	Albritton	
2001/0014254 A1	8/2001	Albritton	

(21) Appl. No.: **29/156,373**

(22) Filed: **Feb. 28, 2002**

(51) **LOC (7) Cl.** **25-01**

(52) **U.S. Cl.** **D25/113**

(58) **Field of Search** D25/113-116,
D25/118; D21/484, 491-492, 500-505;
405/16, 272-273, 284; 404/29, 34-42;
52/102, 581, 588.1, 582.1, 582.2, 596-599,
603-605, 608, 612

FOREIGN PATENT DOCUMENTS

WO	WO 97/47495	12/1997
WO	WO 98/50637	11/1998
WO	WO 00/09813	2/2000
WO	WO 00/40805	7/2000

OTHER PUBLICATIONS

U.S. patent application US Ser. No. 2001/0014254, James R. Albritton, Published Aug. 16, 2001, Energy Absorbing System for Fixed Roadside Hazards.

Bryson Products, Inc., *Bryson Block Brochure and article*, Public Roads, Jul./Aug. 2000.

Trinity Industries, Inc., *King Block Advertisement*, no date.

* cited by examiner

Primary Examiner—Louis S. Zarfaz

Assistant Examiner—Robert A. Delehanty

(74) *Attorney, Agent, or Firm*—Wood, Herron & Evans, L.L.P.

(56) **References Cited**

U.S. PATENT DOCUMENTS

1,921,129 A	8/1933	Miller	
2,923,029 A	2/1960	Harris et al.	
3,603,562 A	9/1971	Glaesener	244/3.21
3,876,185 A	4/1975	Welch	
3,963,218 A	6/1976	Glaesener	
4,115,491 A	9/1978	Hanning	
4,138,093 A	2/1979	Meinzer	
4,303,349 A	12/1981	Upton	
4,330,106 A	5/1982	Chisholm	256/13.1
4,427,818 A	1/1984	Prusinski	
4,521,999 A *	6/1985	Flanagan	52/103
4,797,237 A	1/1989	Hammer et al.	
4,822,542 A	4/1989	Kuwabara et al.	
5,093,053 A	3/1992	Eckardt et al.	
5,104,255 A	4/1992	Bodensohn	
5,106,554 A	4/1992	Drews	
5,195,727 A	3/1993	Liao et al.	
5,219,241 A	6/1993	Picton	
5,286,136 A	2/1994	Mandish et al.	404/6
5,336,016 A	8/1994	Baatz	
5,360,286 A	11/1994	Russell	
5,429,449 A	7/1995	Baatz	
5,499,891 A *	3/1996	Klenert	405/284
5,507,477 A	4/1996	Hammer et al.	
5,549,418 A	8/1996	Devine et al.	

(57) **CLAIM**

The ornamental design for an offset block, as shown and described.

DESCRIPTION

FIG. 1 is a perspective view of an offset block embodying my new design.

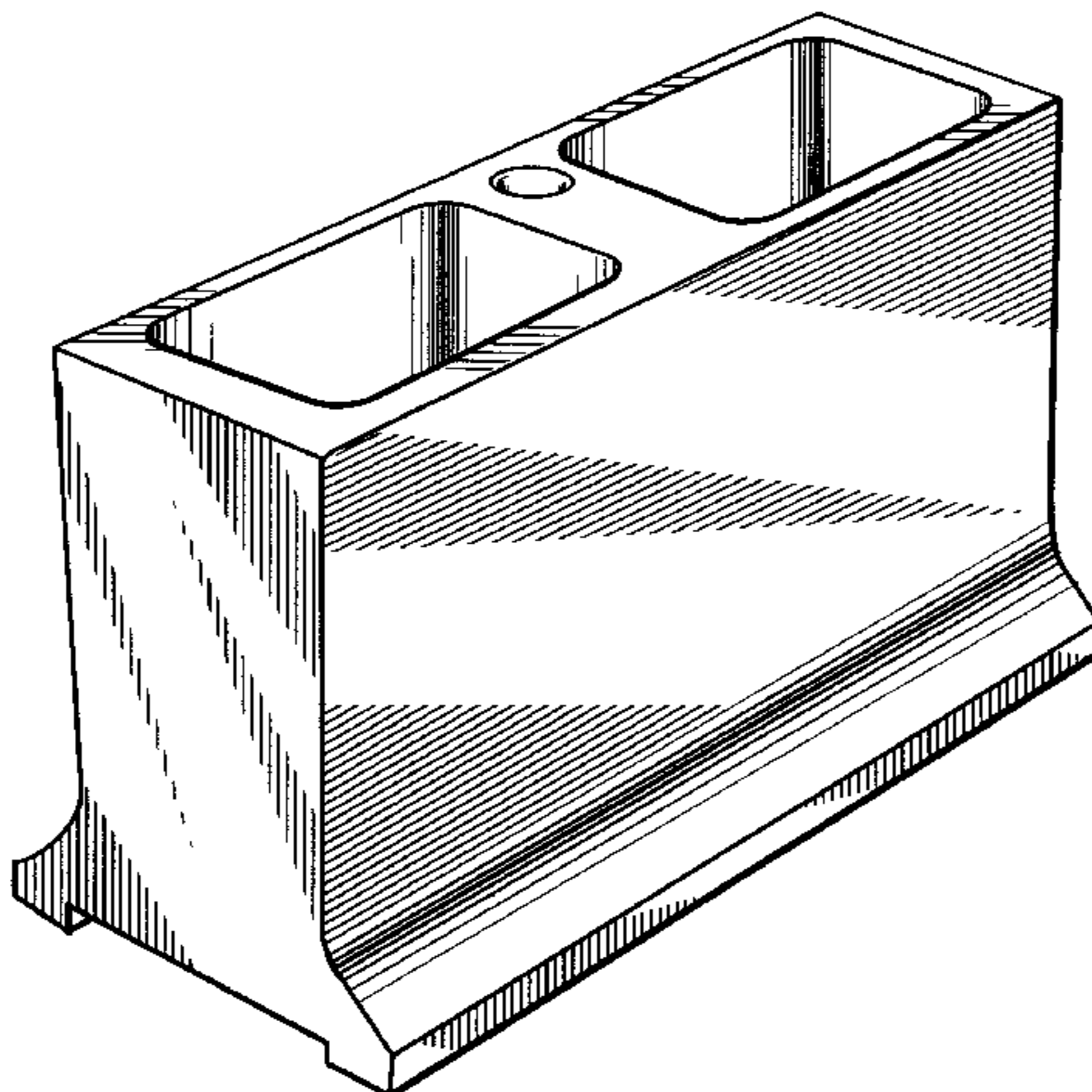
FIG. 2 is a top plan view thereof.

FIG. 3 is a bottom plan view thereof.

FIG. 4 is an end elevational view with the opposite end being a mirror image thereof; and,

FIG. 5 is a front elevational view with the back being a mirror image thereof.

1 Claim, 2 Drawing Sheets



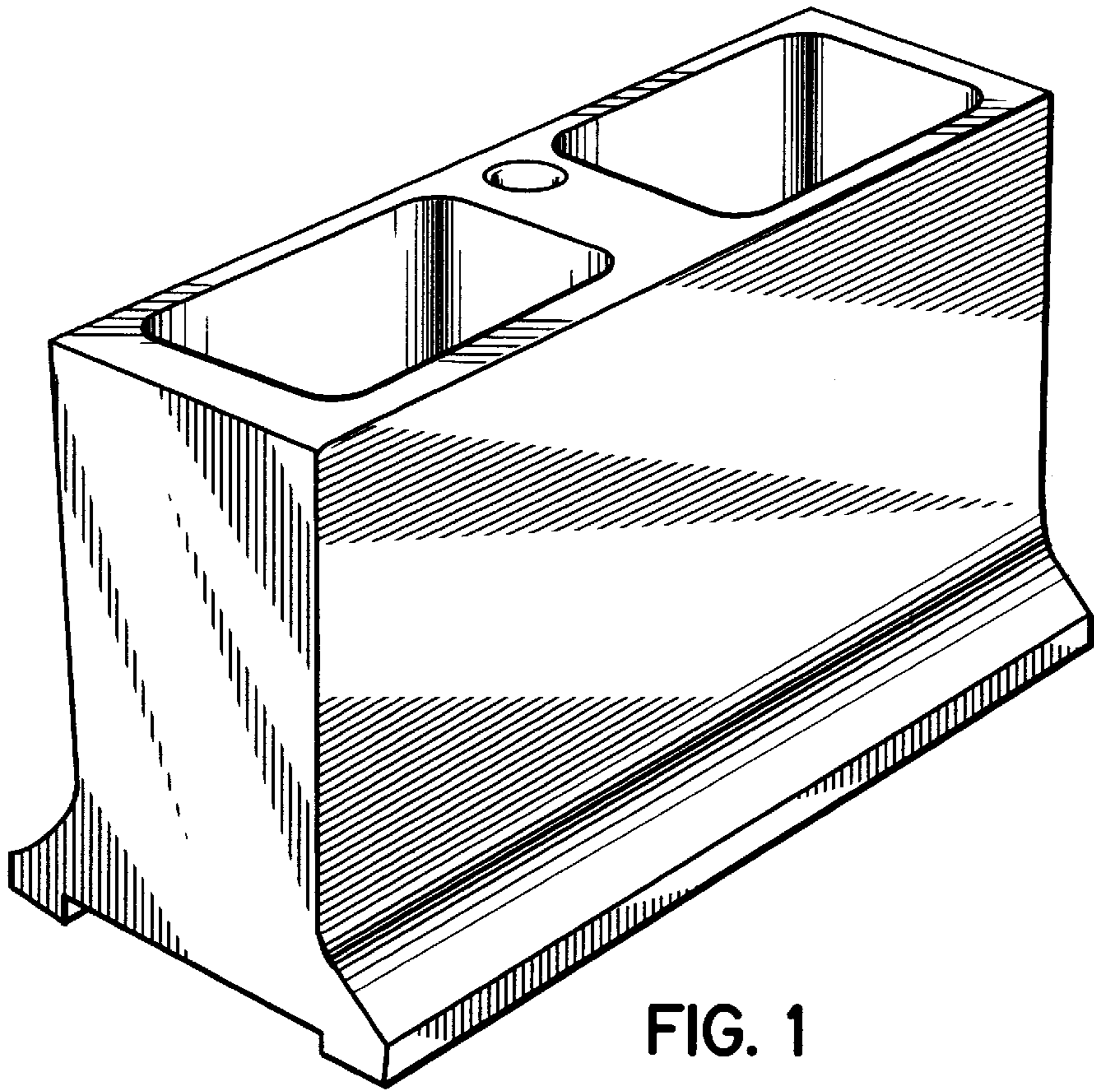


FIG. 1

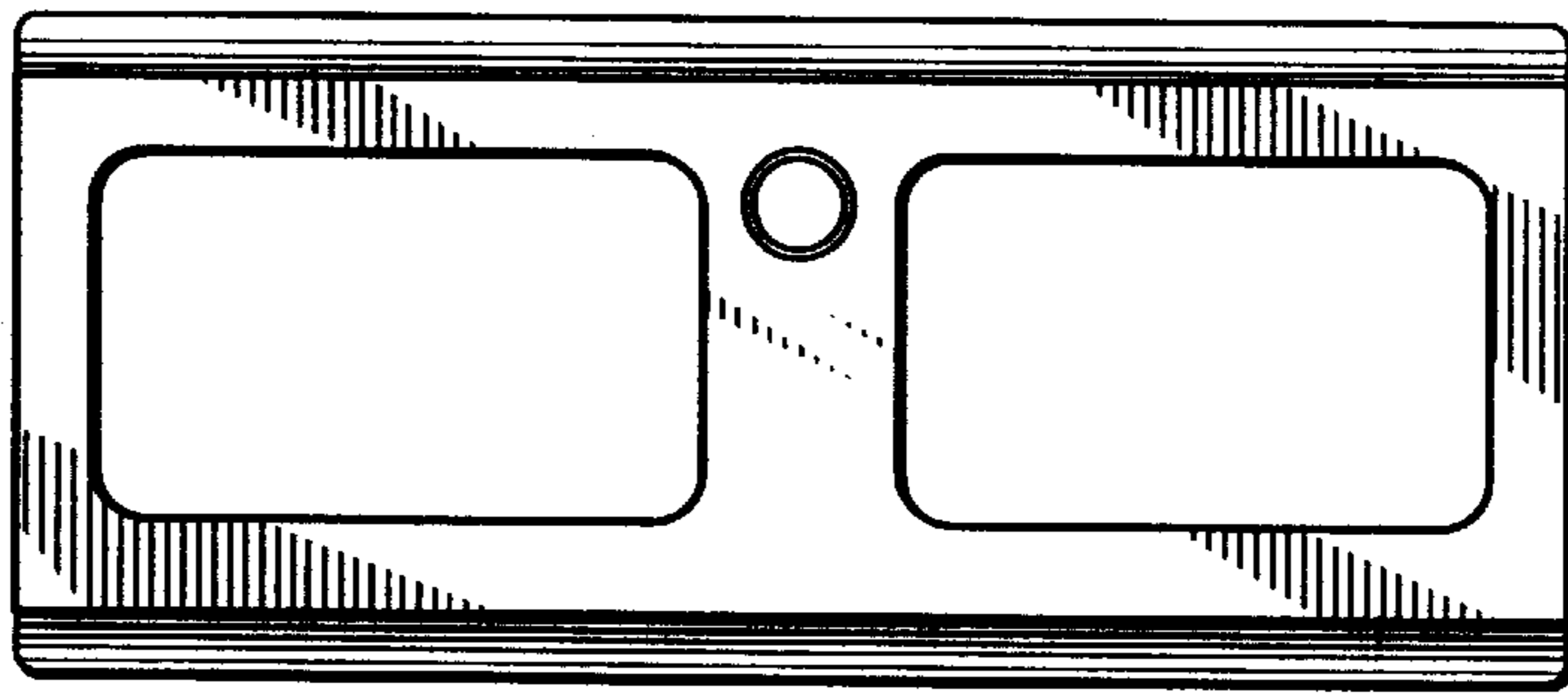


FIG. 2

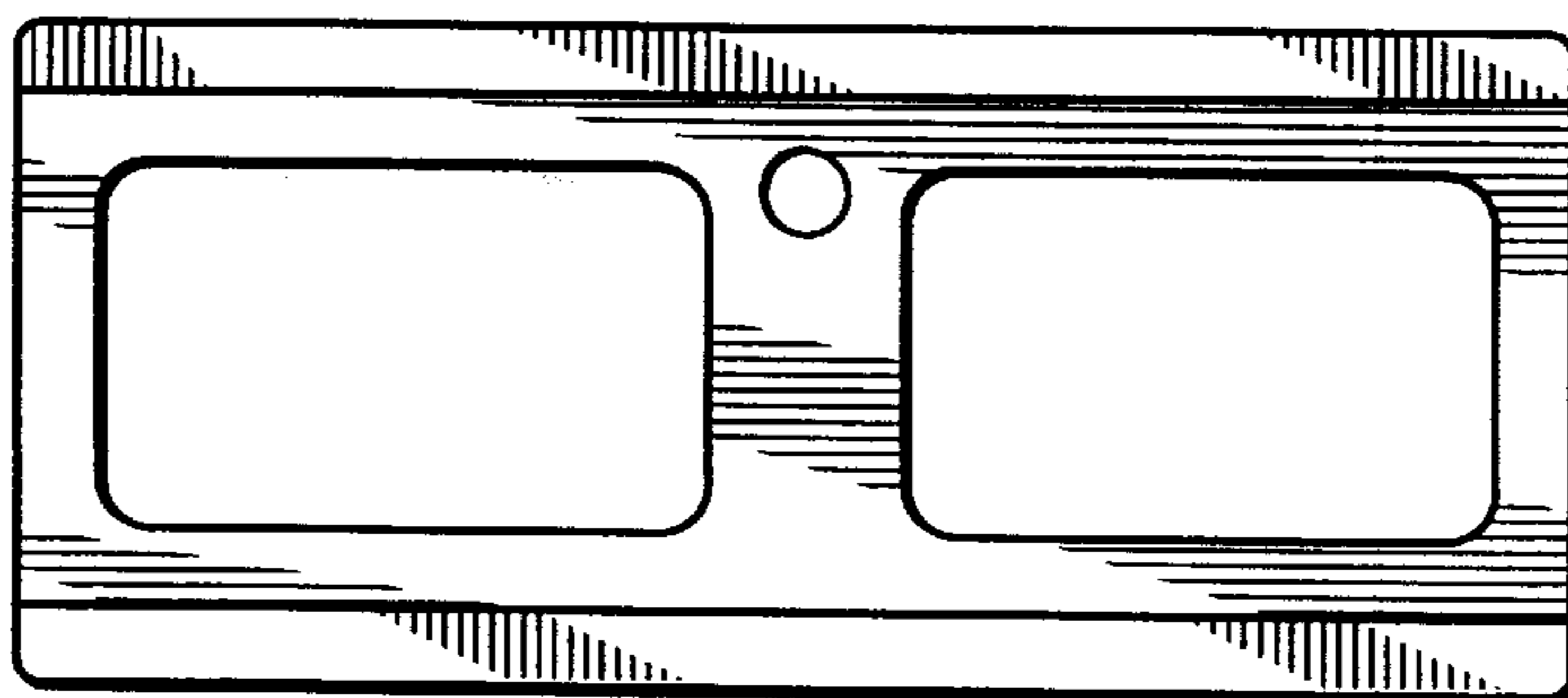


FIG. 3

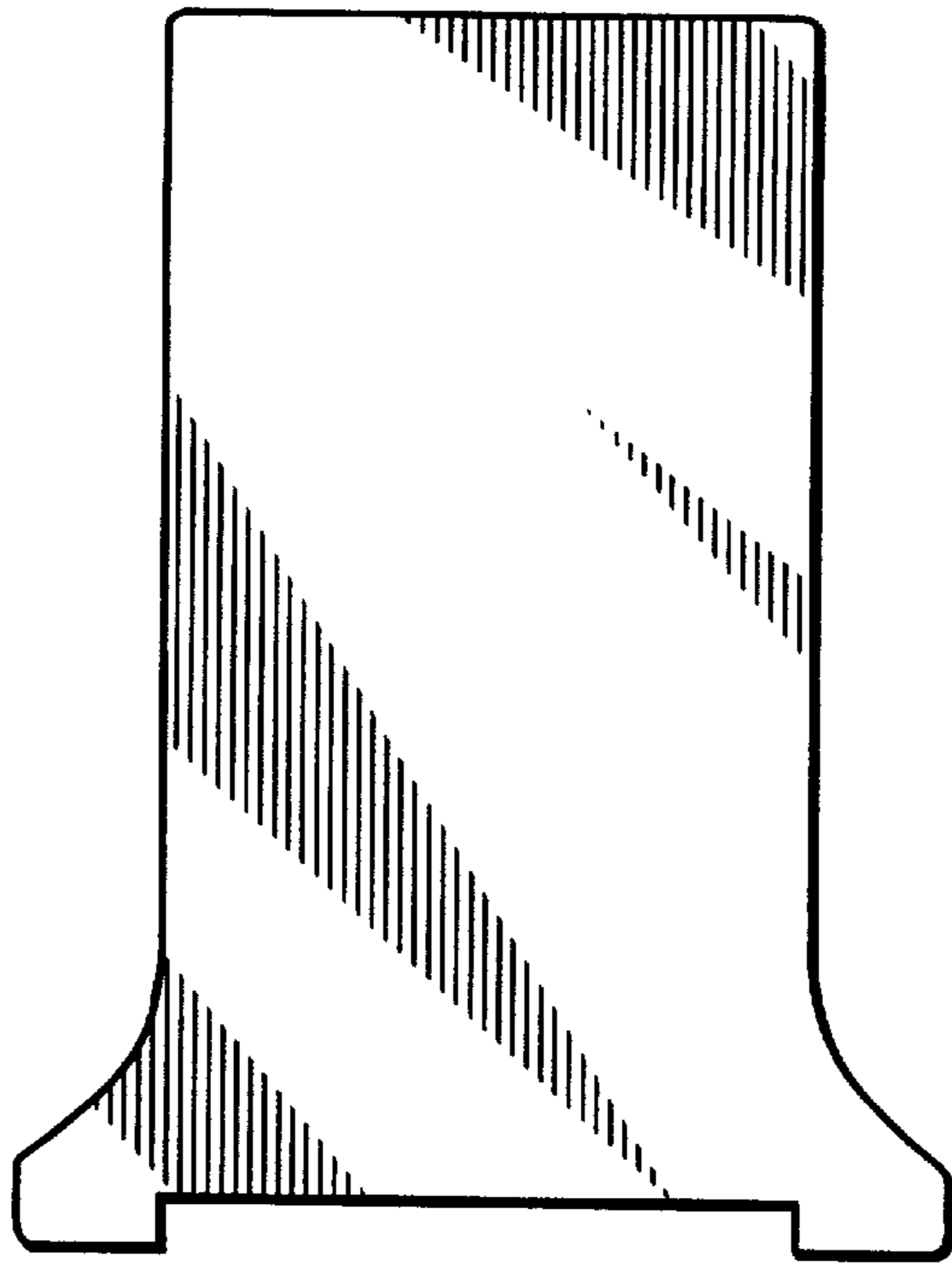


FIG. 4

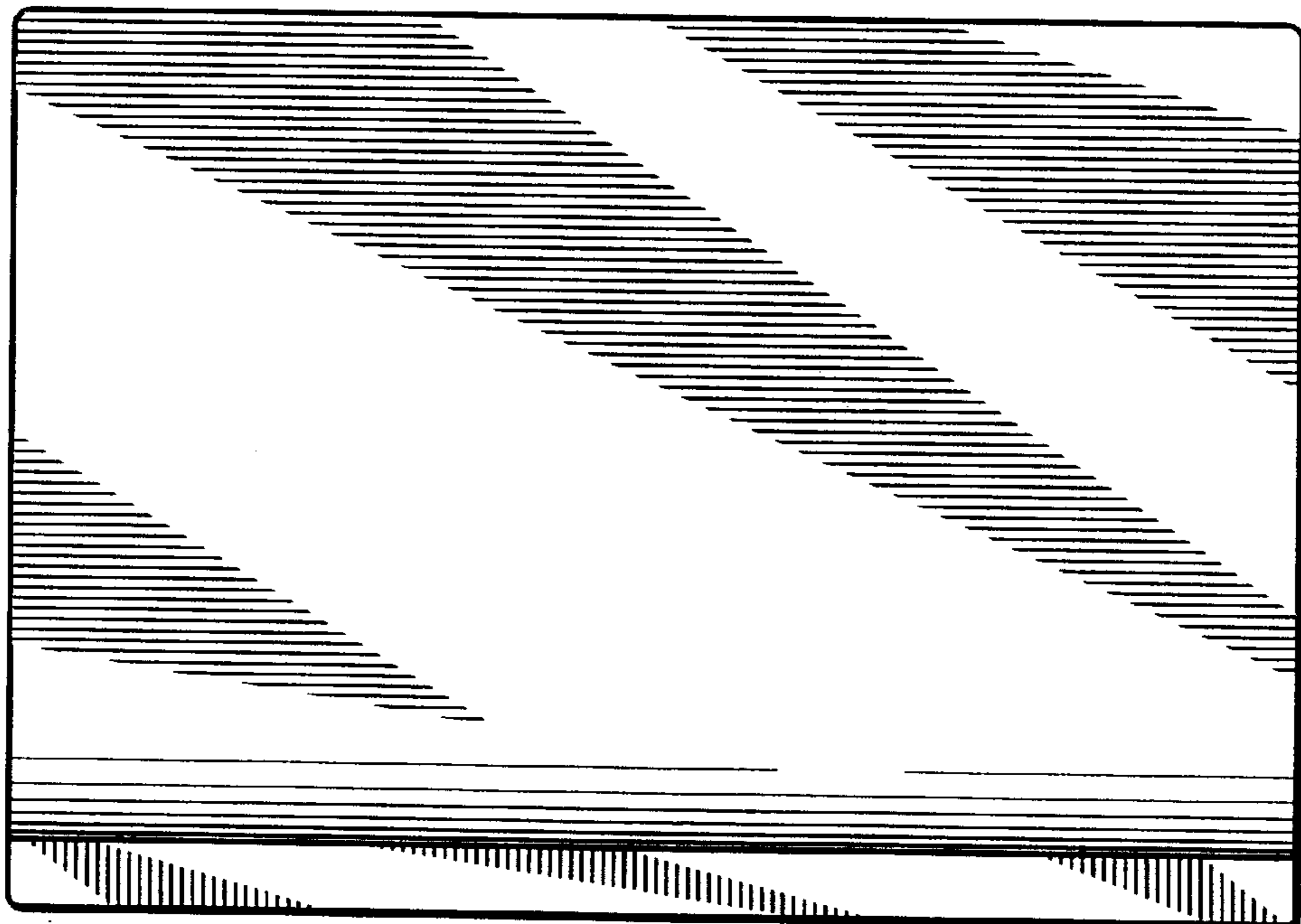


FIG. 5