



US00D465033S

(12) **United States Design Patent**
Messier et al.

(10) **Patent No.:** **US D465,033 S**

(45) **Date of Patent:** **** Oct. 29, 2002**

- (54) **SCREEN FRAME CORNER KEY**
- (75) Inventors: **Daniel Messier**, Montreal (CA);
Fernando Ricci, Montreal (CA)
- (73) Assignee: **Manufacture Industrielle Inc.**,
Montreal (CA)
- (**) Term: **14 Years**
- (21) Appl. No.: **29/152,491**
- (22) Filed: **Dec. 26, 2001**
- (51) **LOC (7) Cl.** **25-01**
- (52) **U.S. Cl.** **D25/102**
- (58) **Field of Search** 160/270, 265,
160/266, 290.1, 381; D25/102; D8/354

- (56) **References Cited**
U.S. PATENT DOCUMENTS
5,787,657 A * 8/1998 Librande et al. 160/381

D398,405 S * 9/1998 Beard, Jr. D25/102
* cited by examiner
Primary Examiner—Doris Clark
(74) *Attorney, Agent, or Firm*—Ogilvy Renault; Guy J. Houle

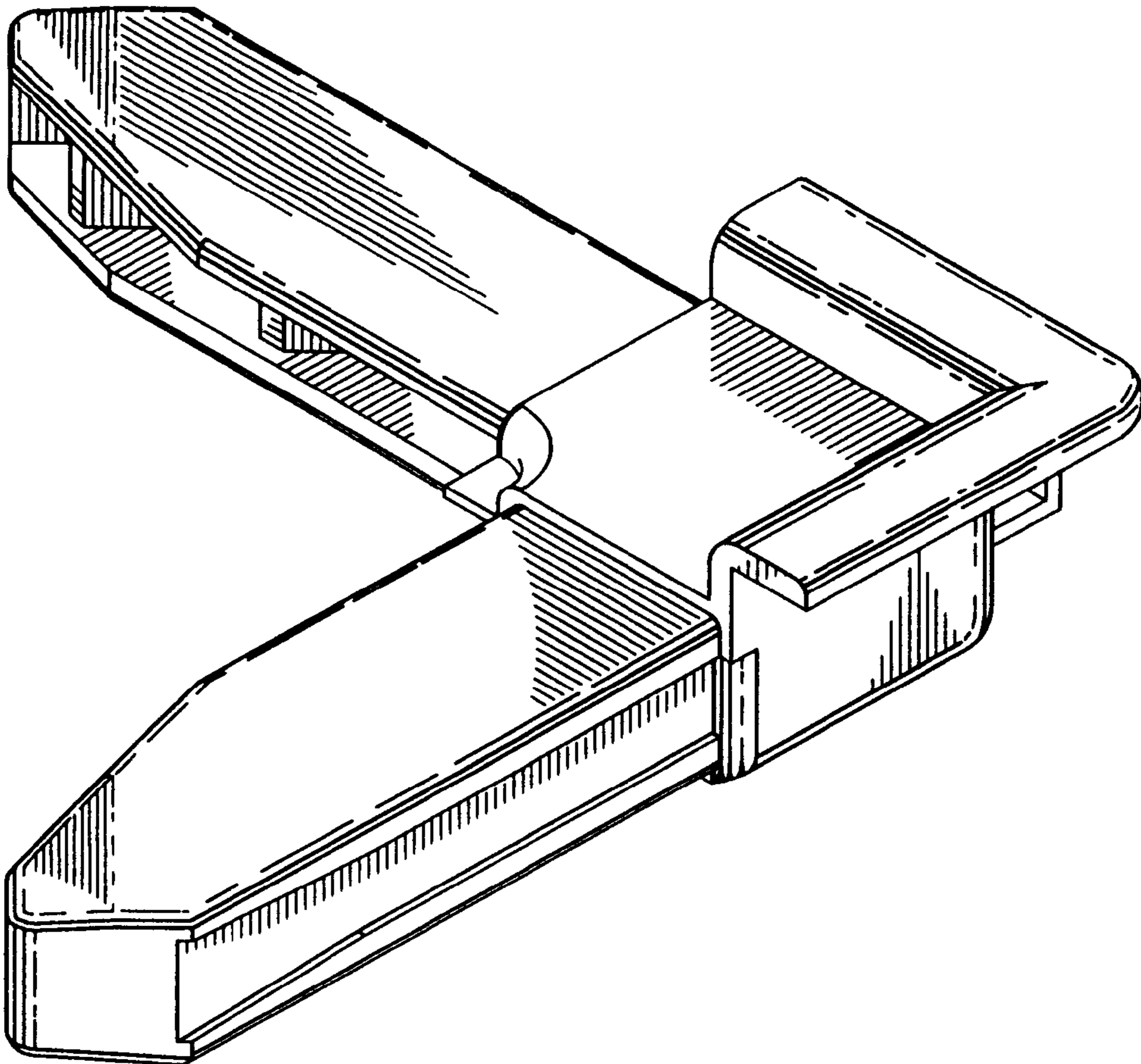
(57) **CLAIM**

The ornamental design of the screen frame corner key, as shown and described.

DESCRIPTION

FIG. 1 is a perspective view of the screen frame corner key;
FIG. 2 is a bottom view thereof;
FIG. 3 is a left side view thereof;
FIG. 4 is a right side view thereof;
FIG. 5 is a front view thereof;
FIG. 6 is a rear view thereof; and,
FIG. 7 is a bottom view thereof.

1 Claim, 4 Drawing Sheets



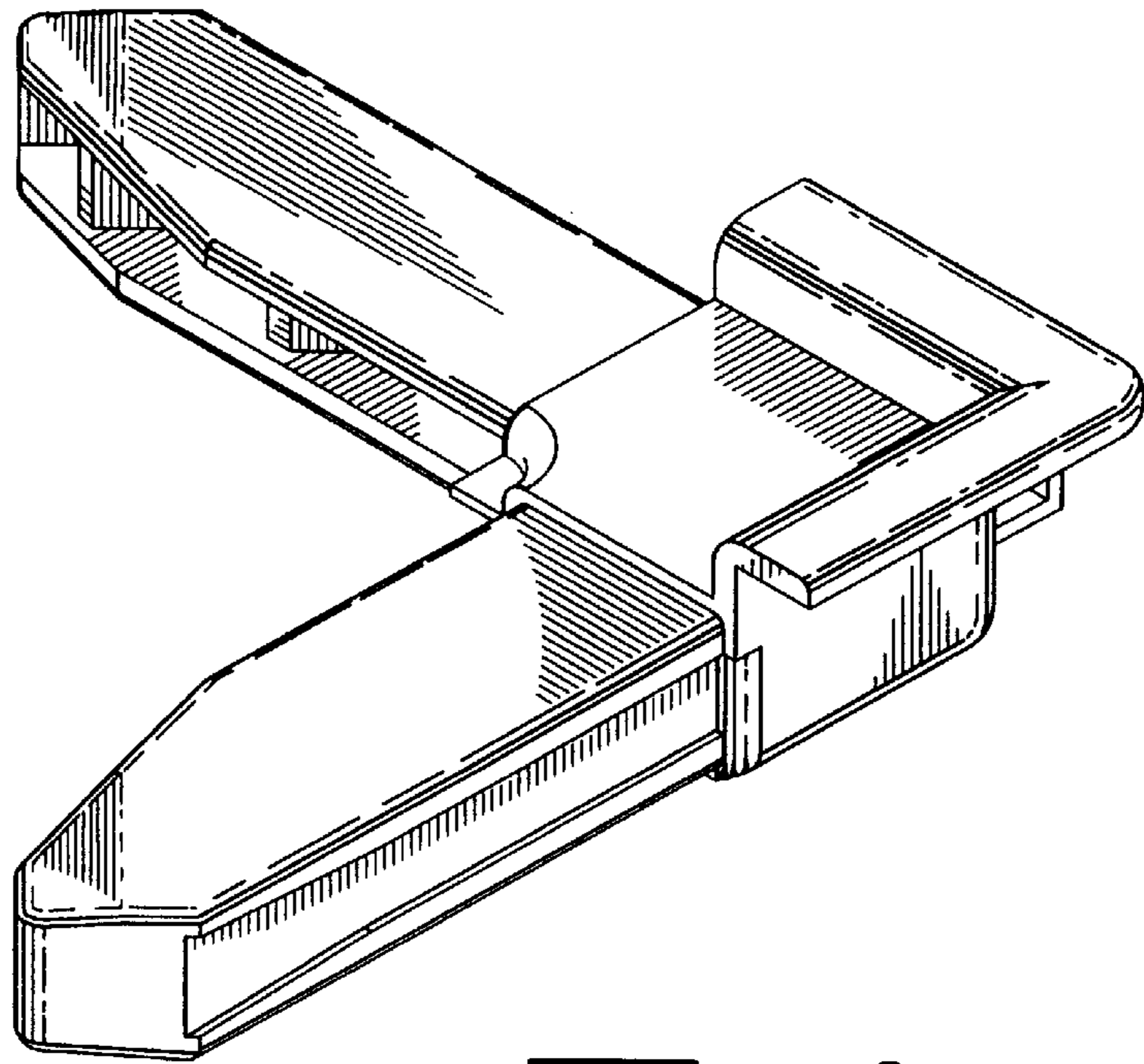


FIG. 1

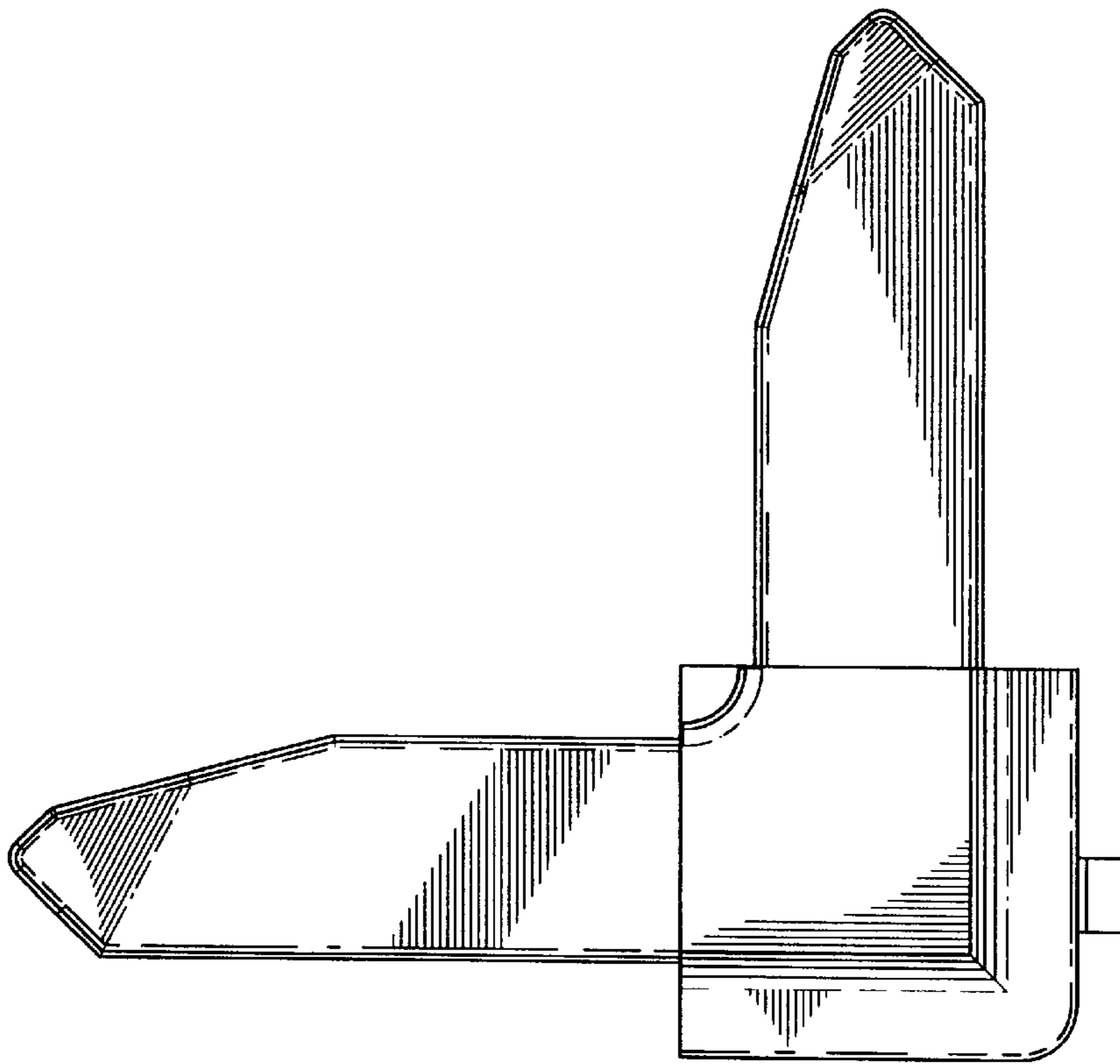


FIG. 2

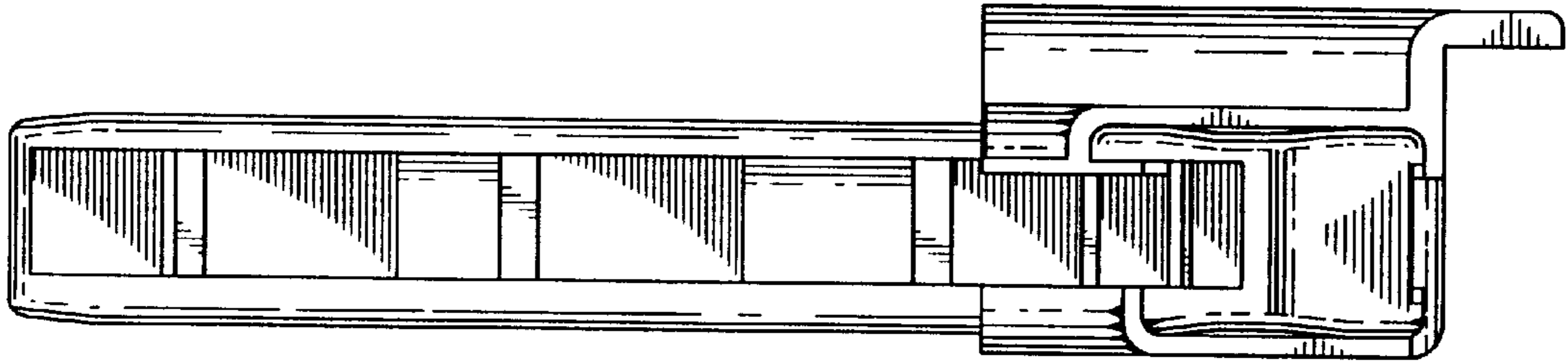


FIG. 3

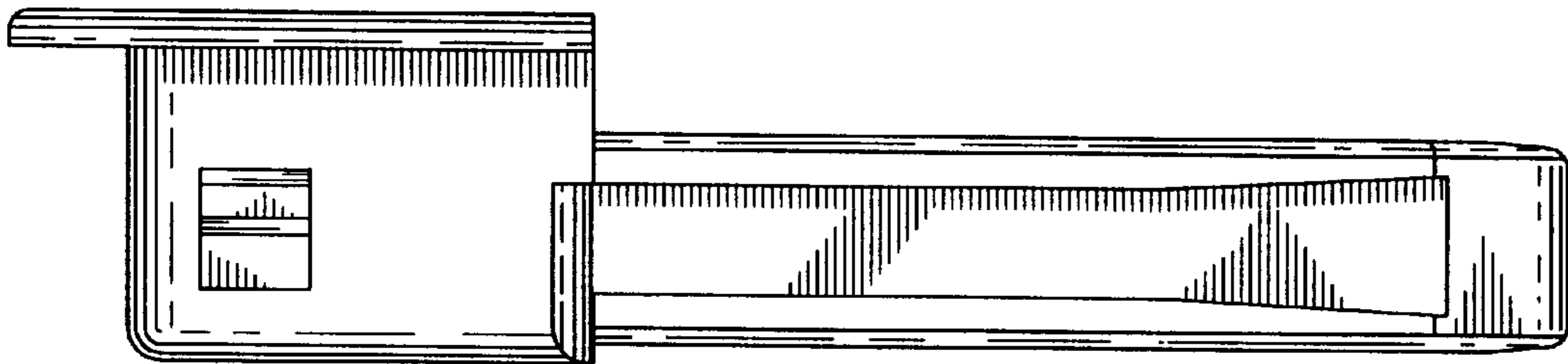


FIG. 4

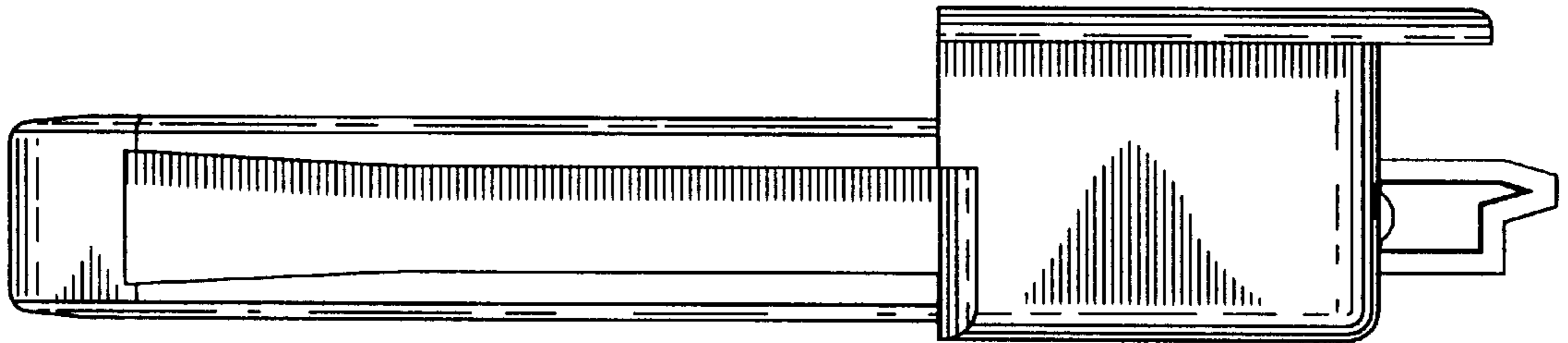


FIG. 5

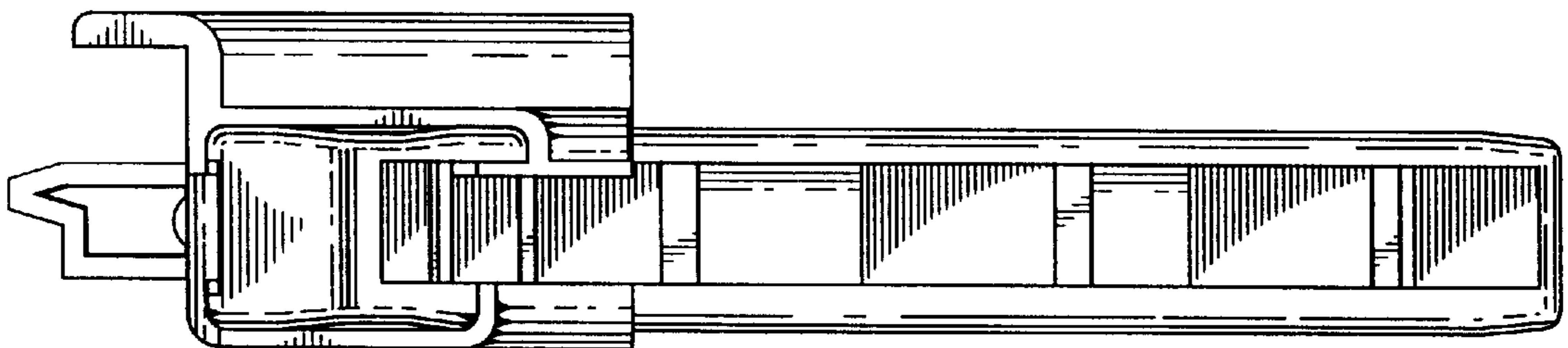


FIG. 6

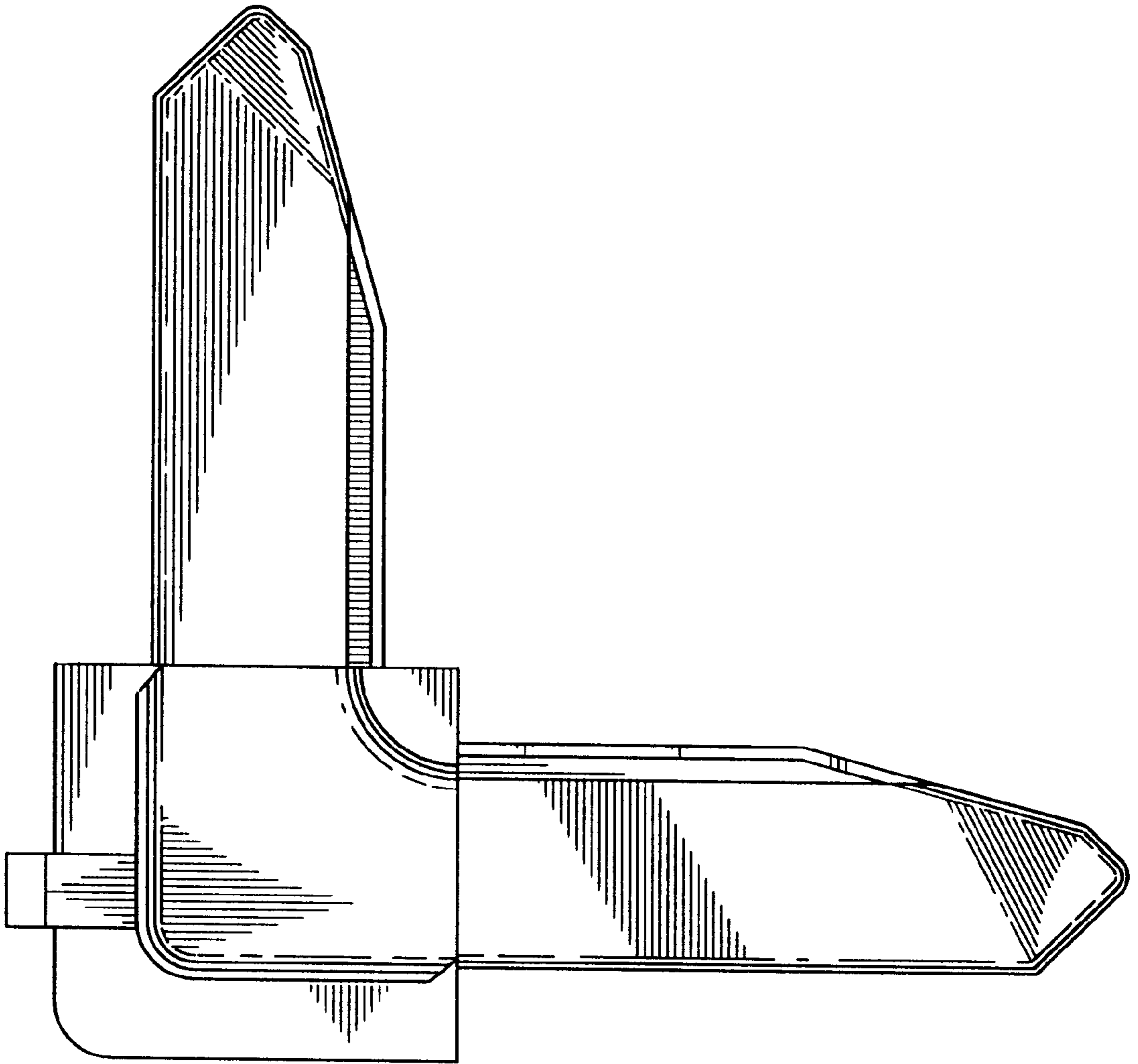


FIG. 7