



US00D465032S

(12) **United States Design Patent**
Robbins et al.

(10) **Patent No.:** **US D465,032 S**

(45) **Date of Patent:** **** Oct. 29, 2002**

(54) **STORAGE STEP**

(75) Inventors: **Alan Robbins**, Chippewa Lake, OH (US); **Daniel J. Christopherson**, Aguanga, CA (US)

(73) Assignee: **The Plastic Lumber Company**, Akron, OH (US)

(**) Term: **14 Years**

(21) Appl. No.: **29/150,956**

(22) Filed: **Nov. 30, 2001**

(51) **LOC (7) Cl.** **25-04**

(52) **U.S. Cl.** **D25/63; D25/65**

(58) **Field of Search** **D25/65, 63, 2; D6/336, 349; 182/33; 4/496; 52/169.7**

(56) **References Cited**

U.S. PATENT DOCUMENTS

D212,086 S * 8/1968 Gilman D25/65
D449,117 S * 10/2001 Wilson D26/63

* cited by examiner

Primary Examiner—Doris Clark

(74) *Attorney, Agent, or Firm*—Hahn Loeser & Parks LLP

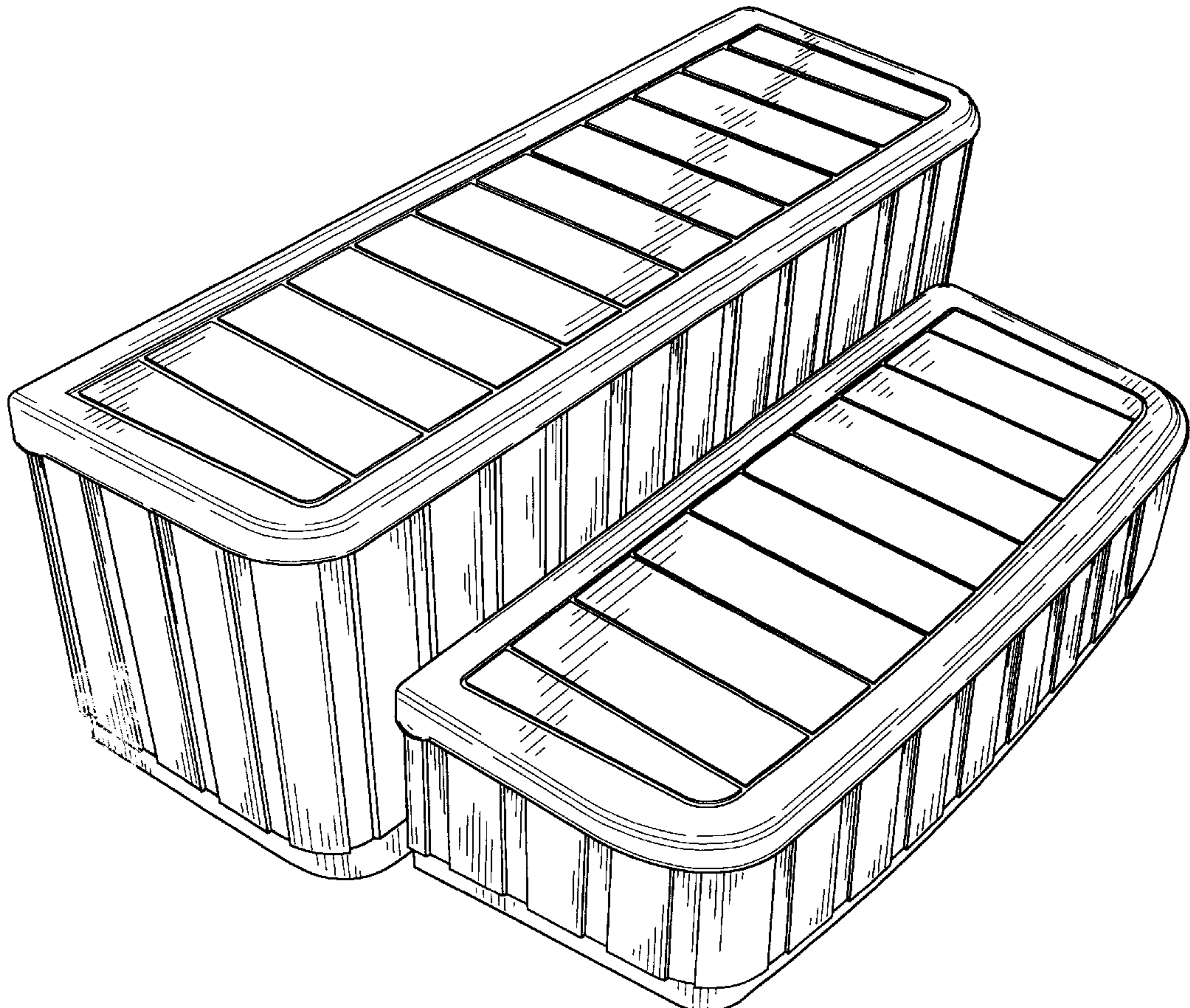
(57) **CLAIM**

We claim the ornamental design for storage step, as shown.

DESCRIPTION

FIG. 1 is a perspective view of applicant's storage step. FIG. 2 is a side elevation view of the storage step as shown in FIG. 1, showing the cover portion in an open position. FIG. 3 is a top elevation view of the small component of the storage step shown in FIG. 1. FIG. 4 is a front elevation view of the small component of the storage step shown in FIG. 1. FIG. 5 is a side elevation view of the small component of the storage step shown in FIG. 1. FIG. 6 is a side elevation view of the component shown in FIG. 5 with the cover portion in its open position. FIG. 7 is a top elevation view of the large component of the storage step shown in FIG. 1. FIG. 8 is a front elevation view of the large component of the storage step shown in FIG. 1. FIG. 9 is a side elevation view of the large component of the storage step shown in FIG. 1; and, FIG. 10 is a side elevation view of the component shown in FIG. 5 with the cover portion in its open position.

1 Claim, 3 Drawing Sheets



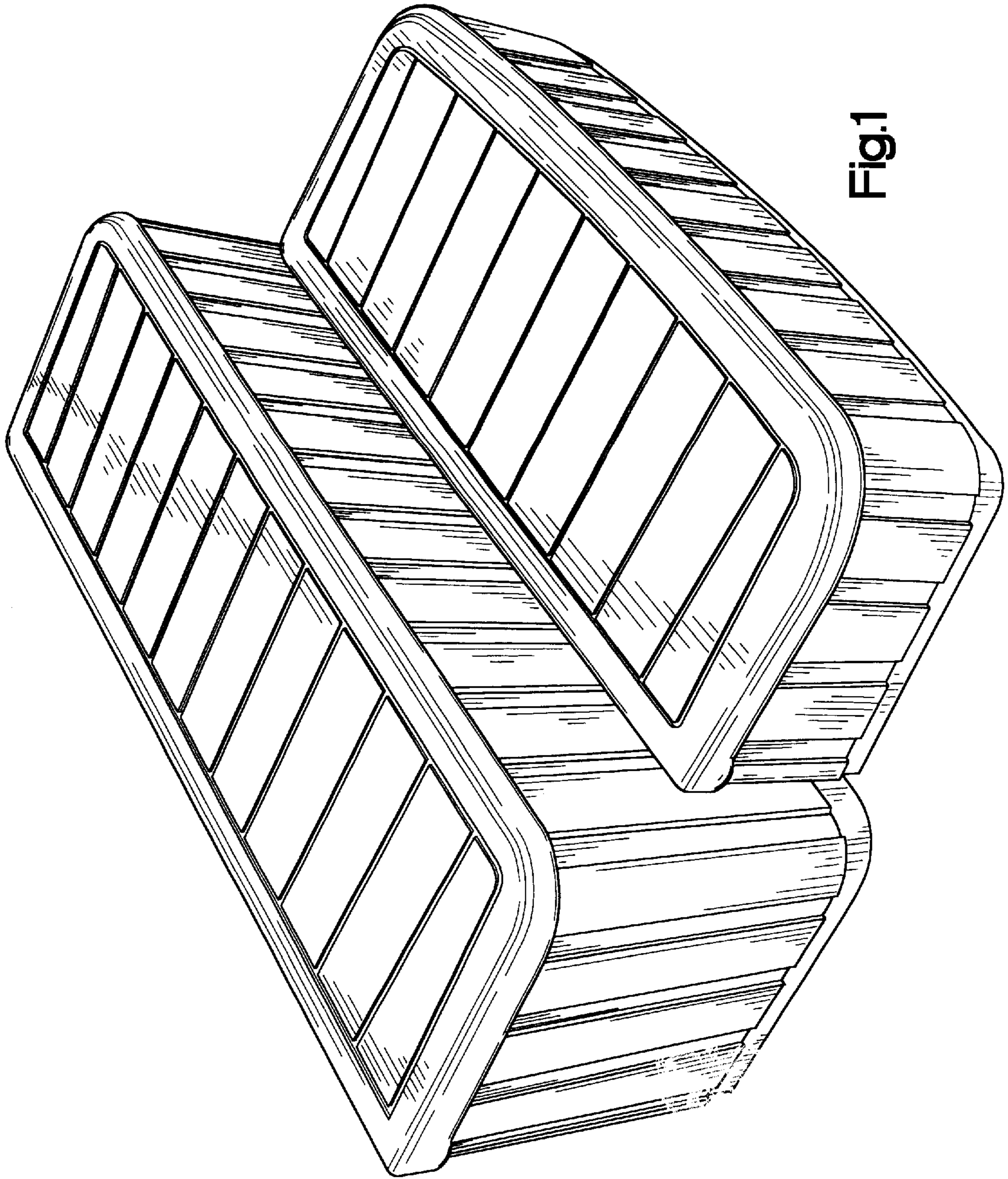


Fig.1

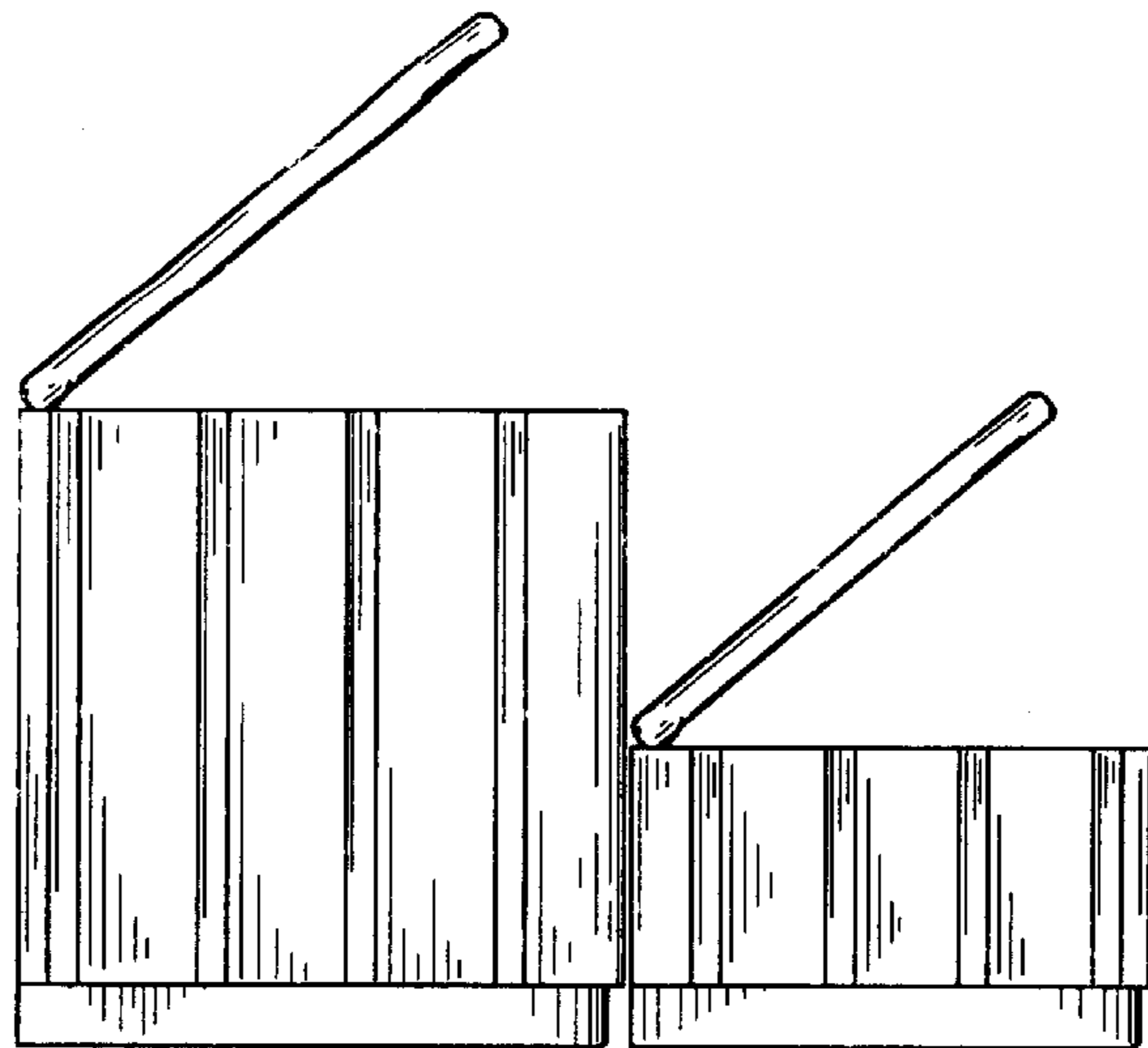


Fig.2

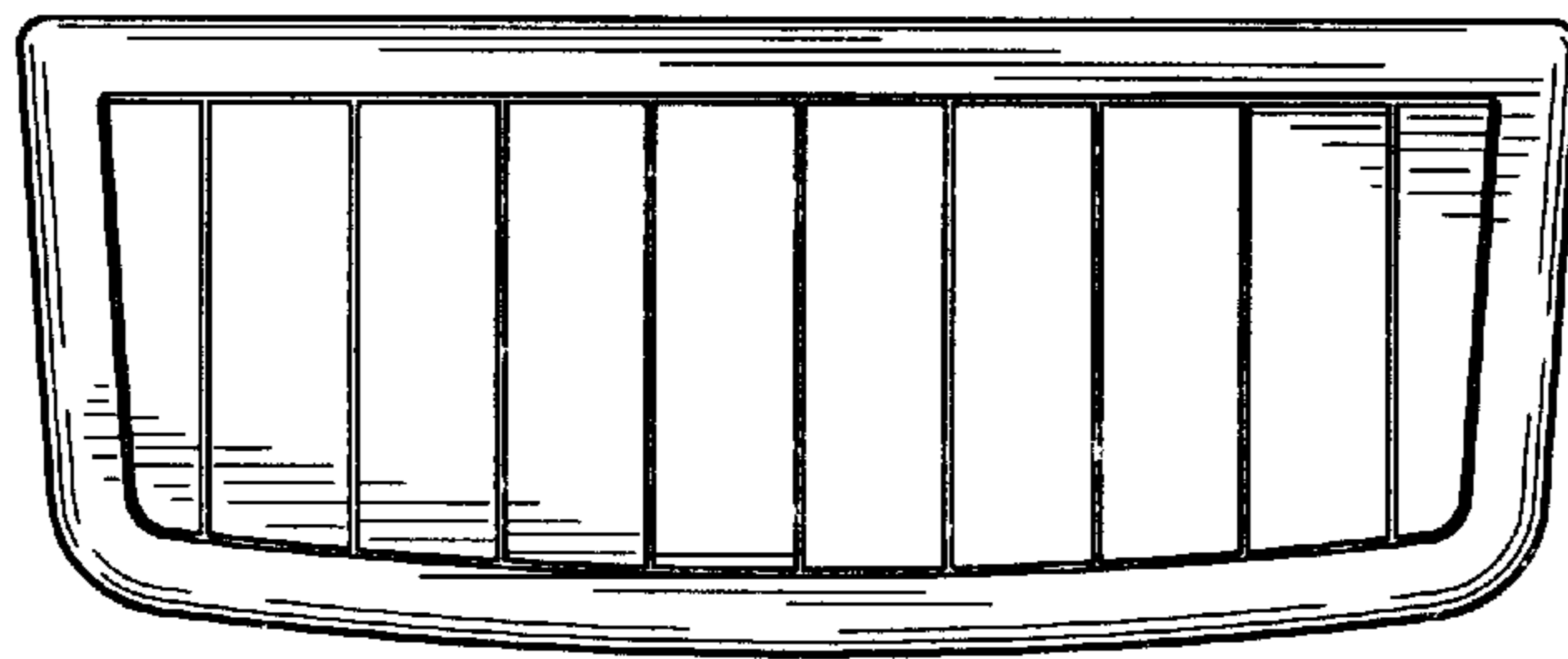


Fig.3

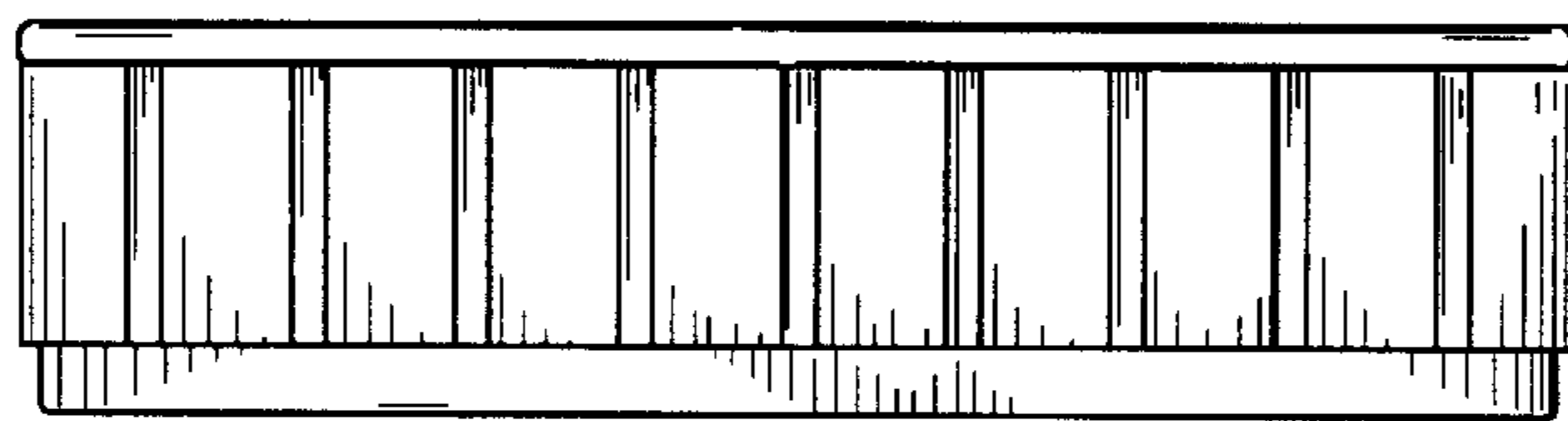


Fig.4

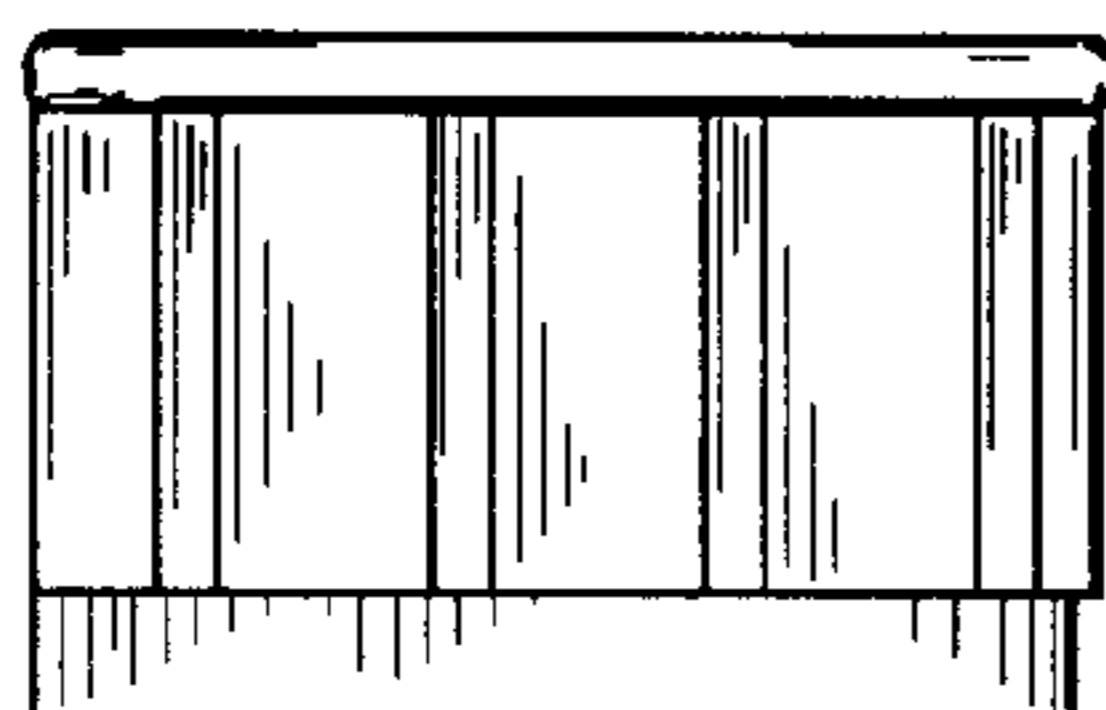


Fig.5

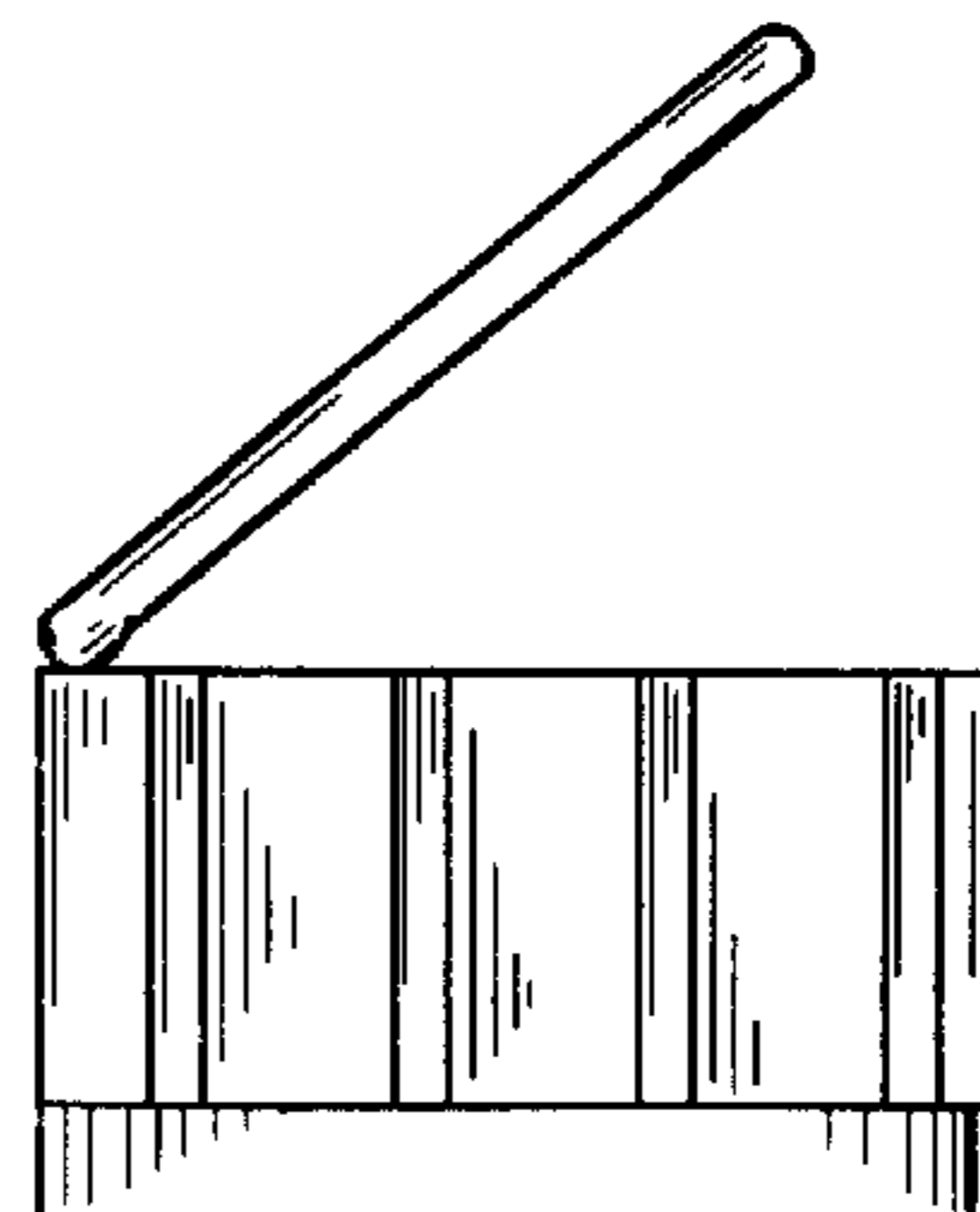


Fig.6

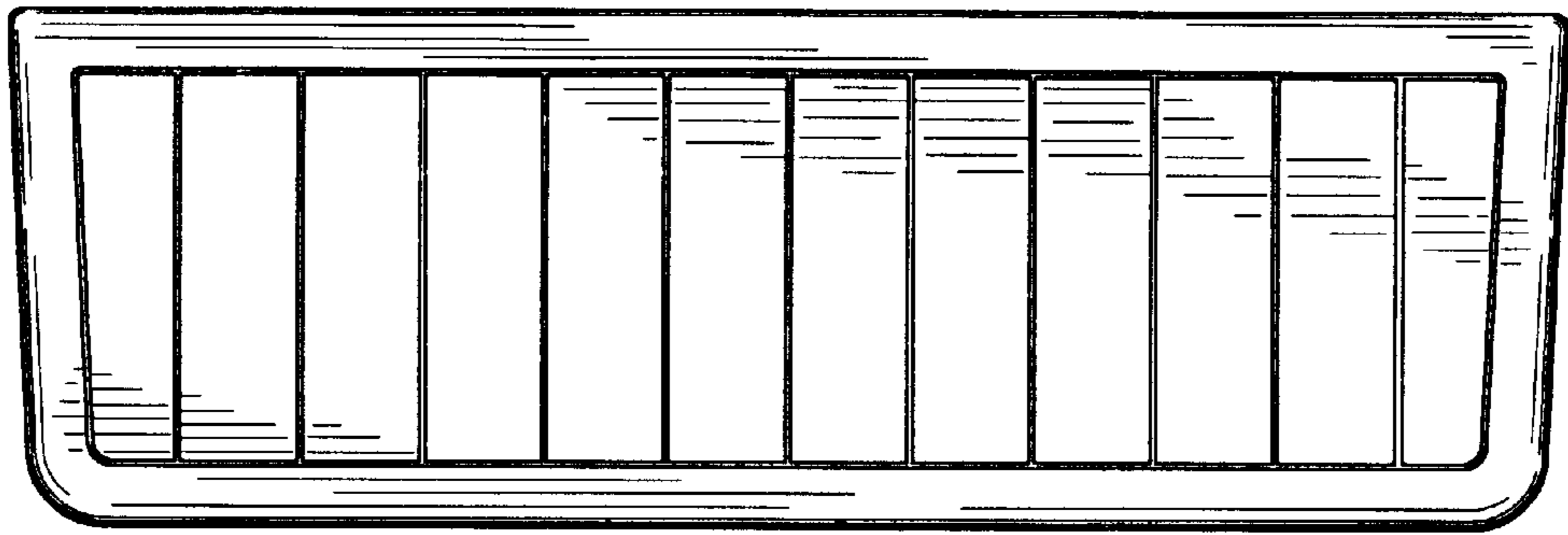


Fig.7

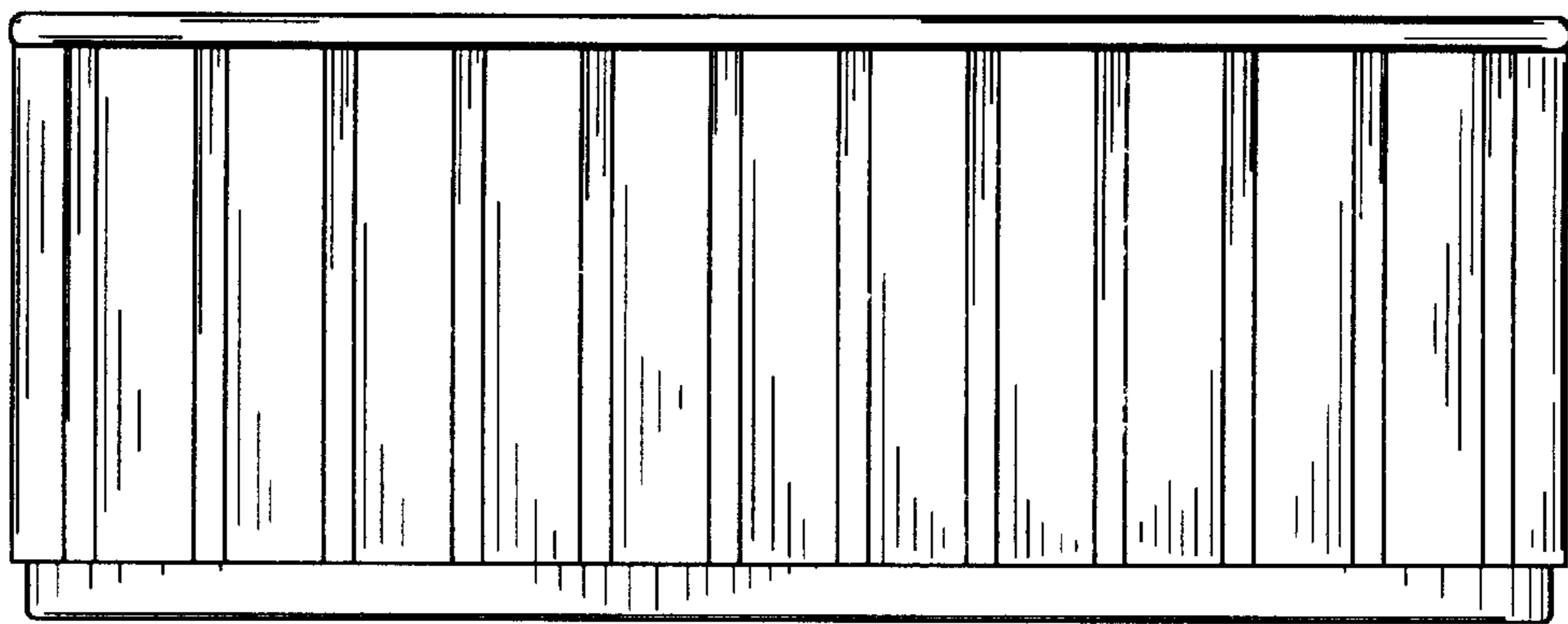


Fig.8

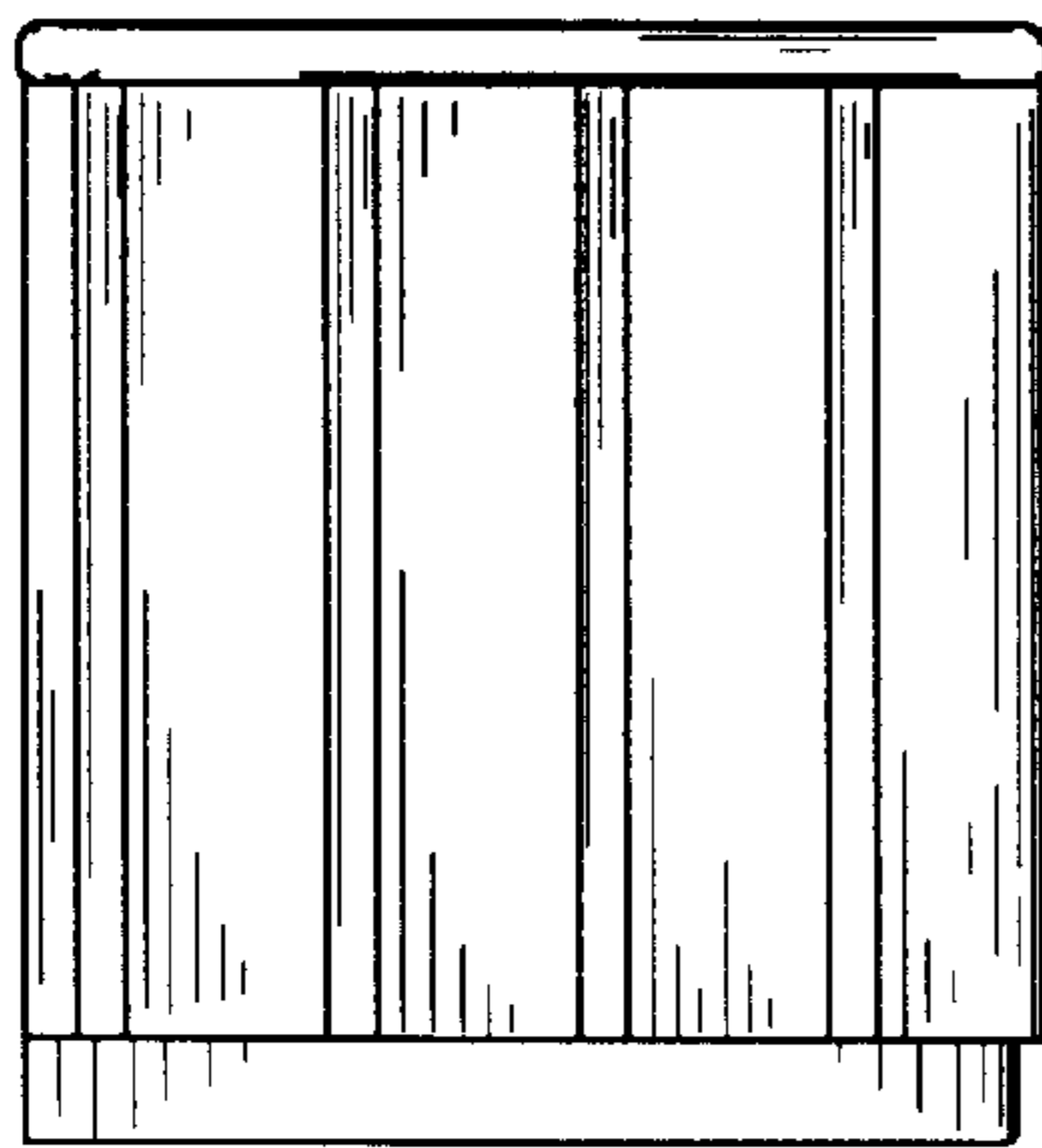


Fig.9

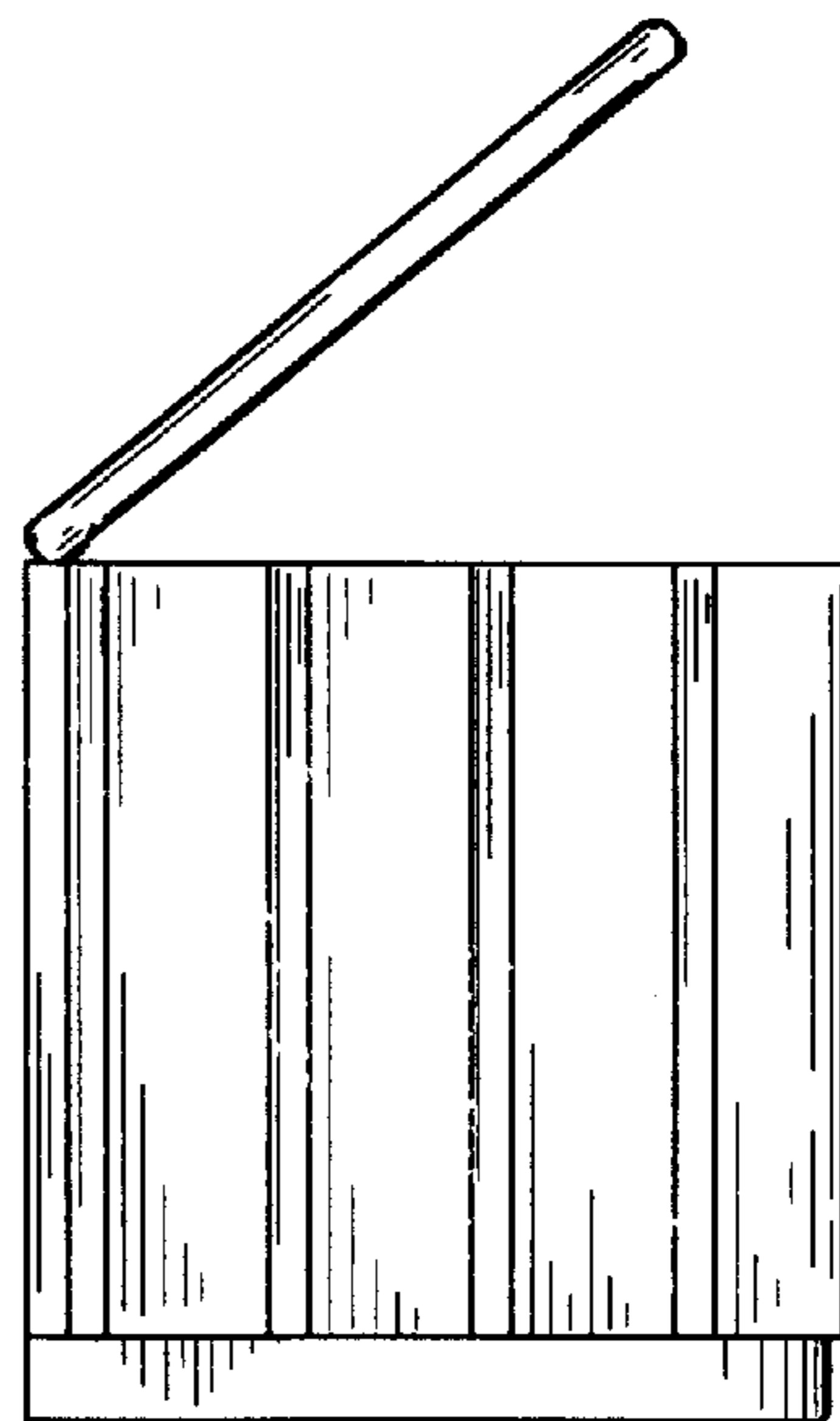


Fig.10