



US00D465016S

(12) **United States Design Patent**  
**Nanjo et al.**

(10) **Patent No.:** **US D465,016 S**

(45) **Date of Patent:** **\*\* Oct. 29, 2002**

(54) **AIR CONDITIONER**

(75) Inventors: **Satoshi Nanjo**, Kawasaki (JP);  
**Shintaro Ueno**, Kawasaki (JP)

(73) Assignee: **Fujitsu General Limited**,  
Kanagawa-ken (JP)

(\*\*) Term: **14 Years**

(21) Appl. No.: **29/148,482**

(22) Filed: **Sep. 21, 2001**

(30) **Foreign Application Priority Data**

Mar. 26, 2001 (JP) ..... 2001-008587  
Mar. 26, 2001 (JP) ..... 2001-008588

(51) **LOC (7) Cl.** ..... **23-04**

(52) **U.S. Cl.** ..... **D23/351**

(58) **Field of Search** ..... D23/351-354;  
62/259.1, 259.4, 262, 263, 298; 312/236;  
165/122; 454/201-204

(56) **References Cited**

**U.S. PATENT DOCUMENTS**

D351,648 S \* 10/1994 Ikeda et al. .... D23/351  
5,388,426 A \* 2/1995 Wada et al. .... 165/122  
D448,072 S \* 9/2001 Wakasa ..... D23/351  
D451,586 S \* 12/2001 Oya et al. .... D23/351  
D454,188 S \* 3/2002 Nonaka ..... D23/351

**FOREIGN PATENT DOCUMENTS**

JP 1026754 12/1998

\* cited by examiner

*Primary Examiner*—B. J. Bullock  
(74) *Attorney, Agent, or Firm*—Sughrue Mion, PLLC

(57) **CLAIM**

The ornamental design for an air conditioner, as shown and described.

**DESCRIPTION**

FIG. 1 is a perspective view of the front, bottom and right side of an air conditioner showing our new design;

FIG. 2 is a top plan view thereof;

FIG. 3 is a front elevational view thereof;

FIG. 4 is a right side elevational view thereof, the left side being a mirror image thereof;

FIG. 5 is a bottom plan view thereof;

FIG. 6 is a rear elevational view thereof;

FIG. 7 is a view similar to FIG. 1 with the ventilation slats in the open positions;

FIG. 8 is a perspective view of the front, bottom and right side of an air conditioner according to a further embodiment;

FIG. 9 is a top plan view thereof;

FIG. 10 is a front elevational view thereof;

FIG. 11 is a right side elevational view thereof, the opposite side being a mirror image thereof;

FIG. 12 is a bottom plan view thereof;

FIG. 13 is a rear elevational view thereof; and,

FIG. 14 is a perspective view similar to FIG. 8 with the ventilation slats in the open position.

**1 Claim, 10 Drawing Sheets**

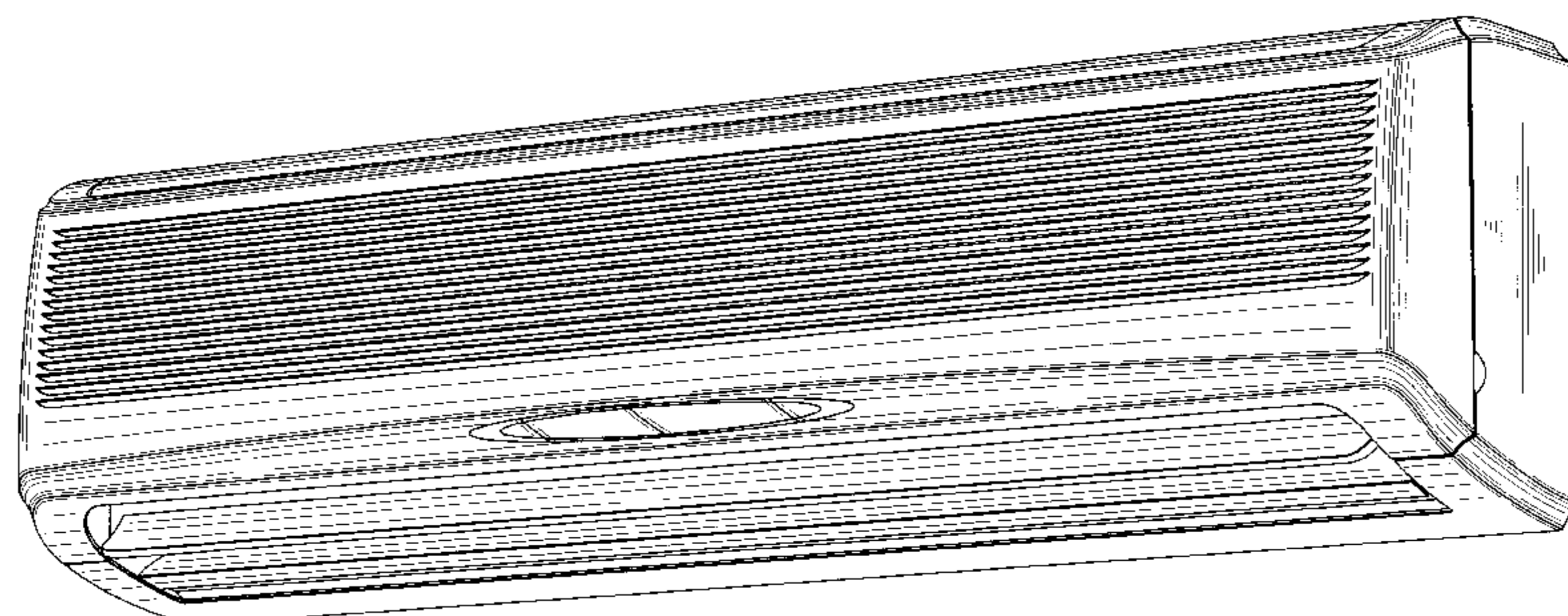
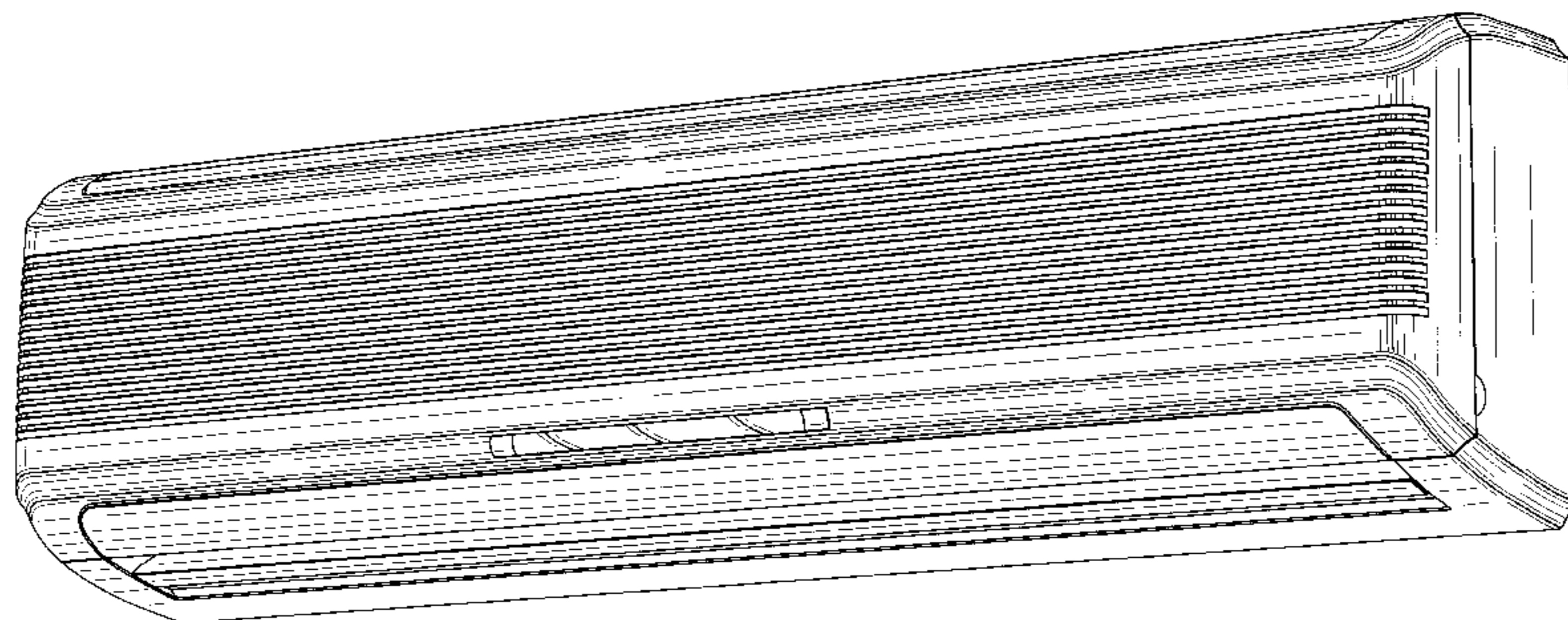


FIG. 1

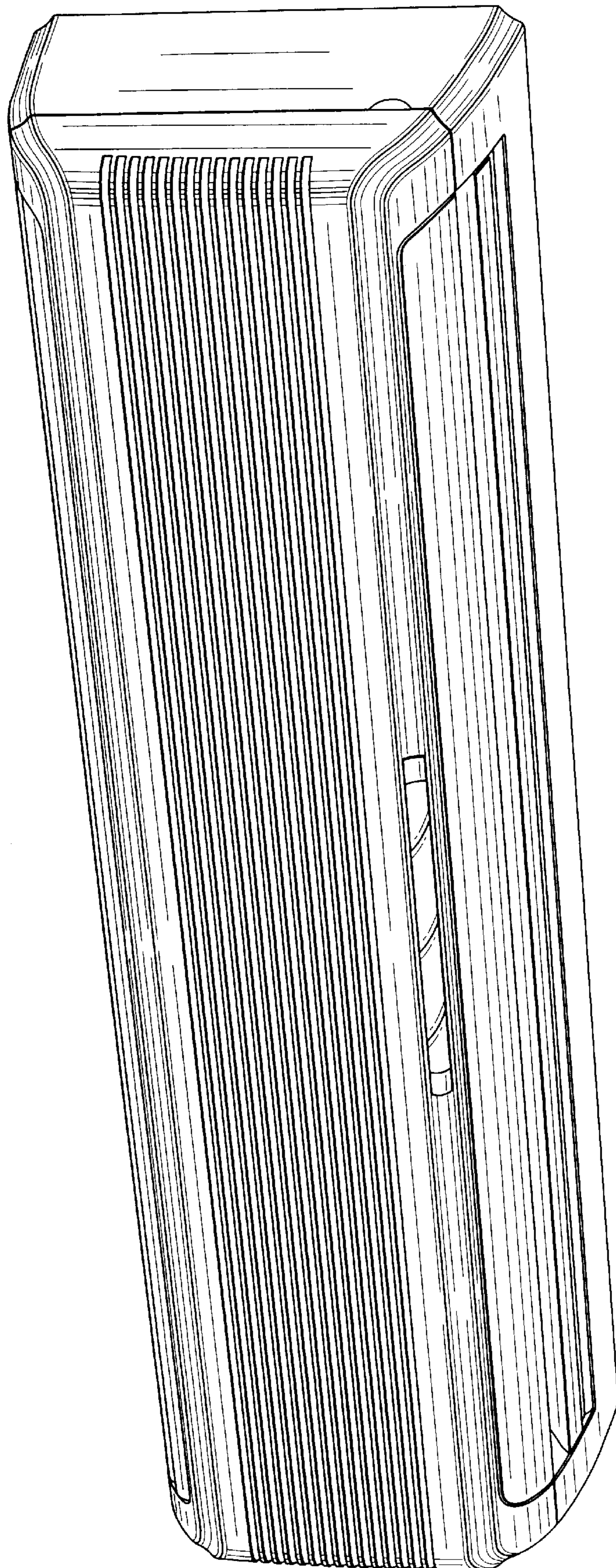


FIG. 2

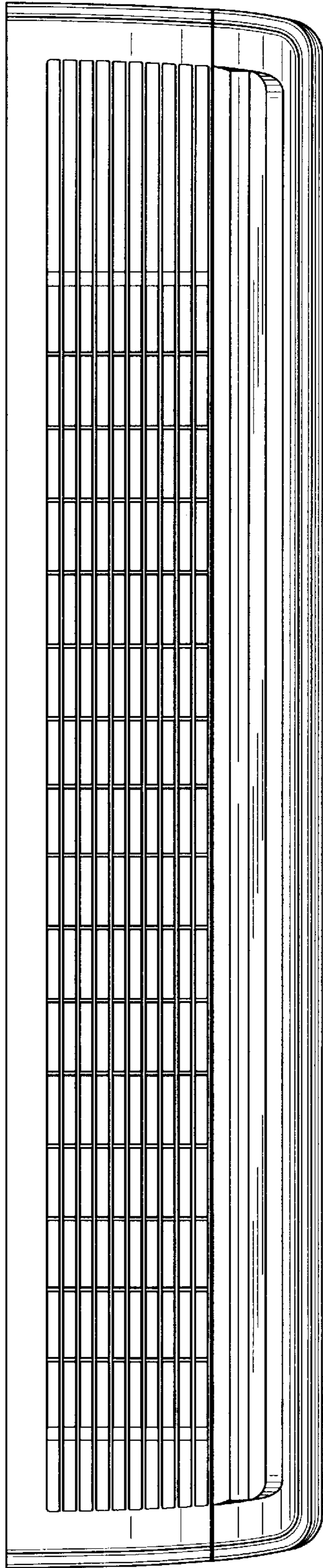
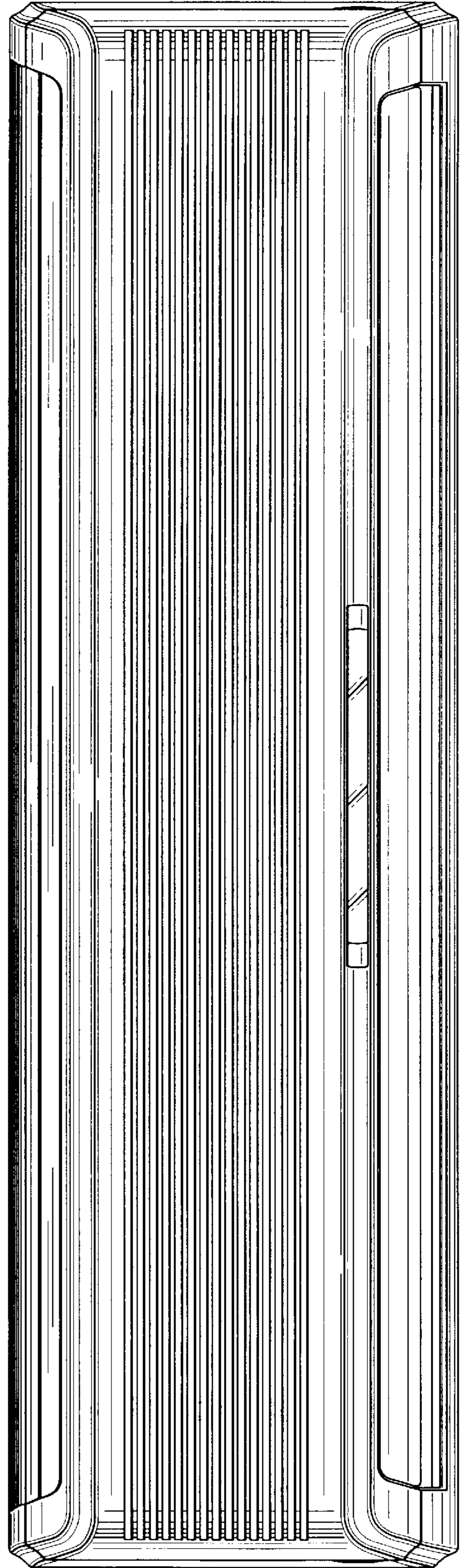


FIG. 3





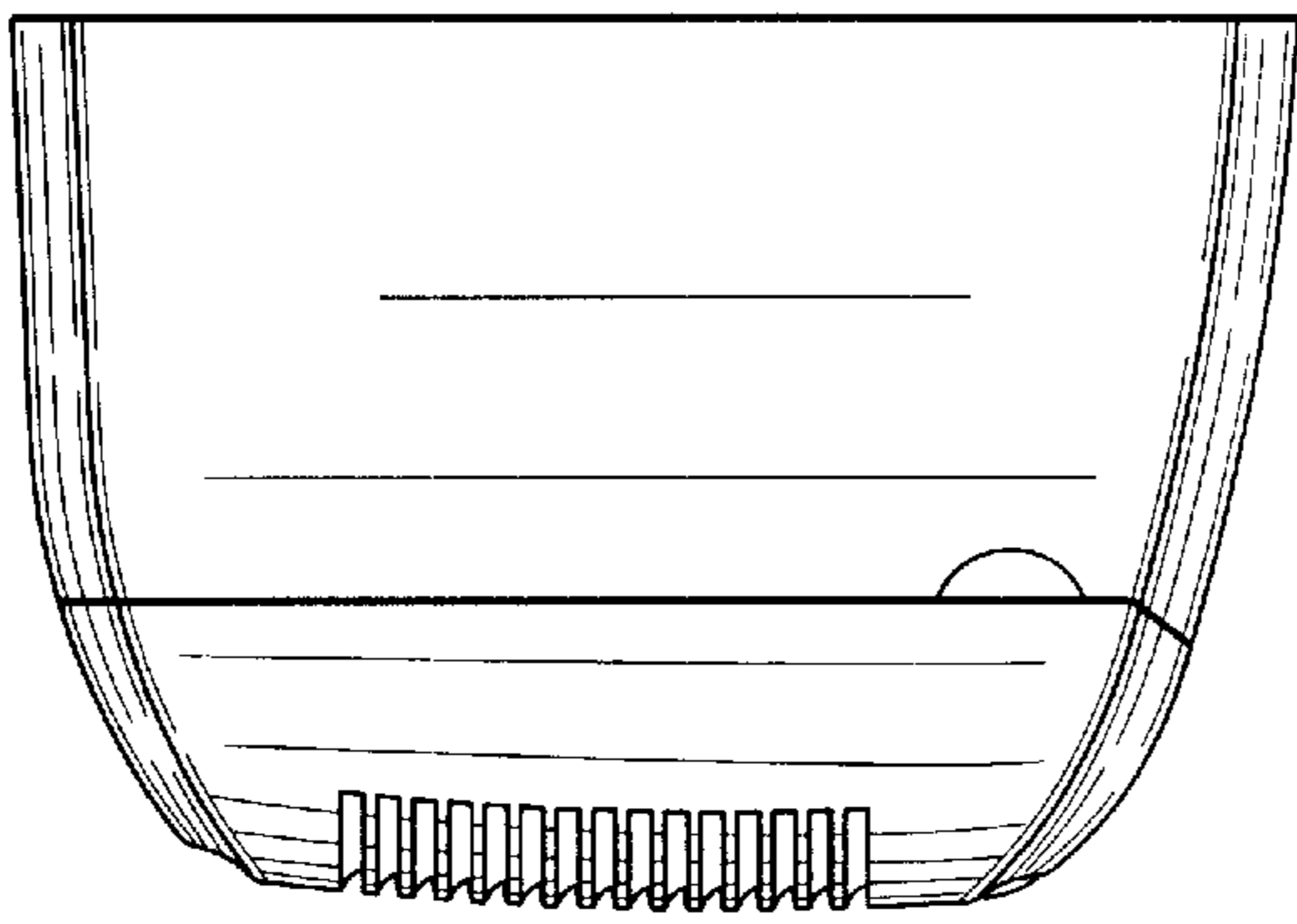


FIG. 4

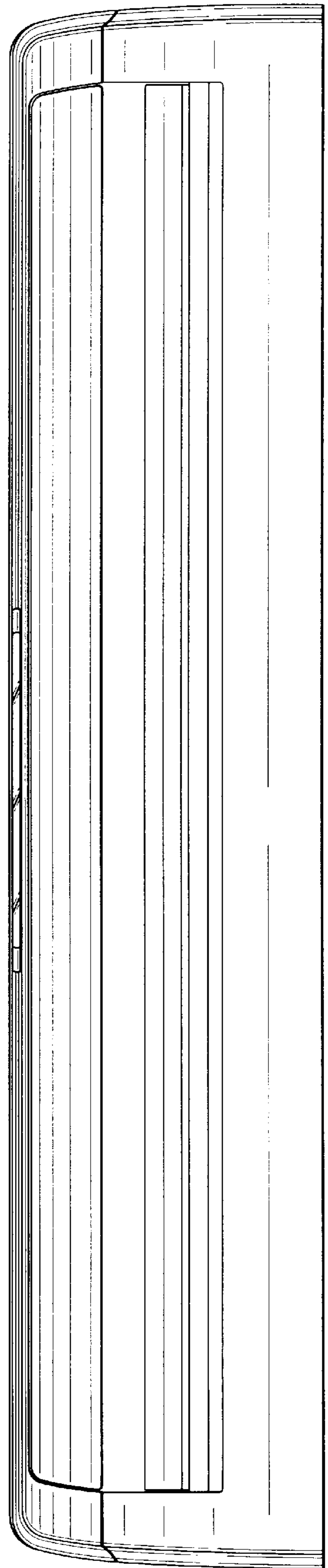


FIG. 5

**FIG. 6**

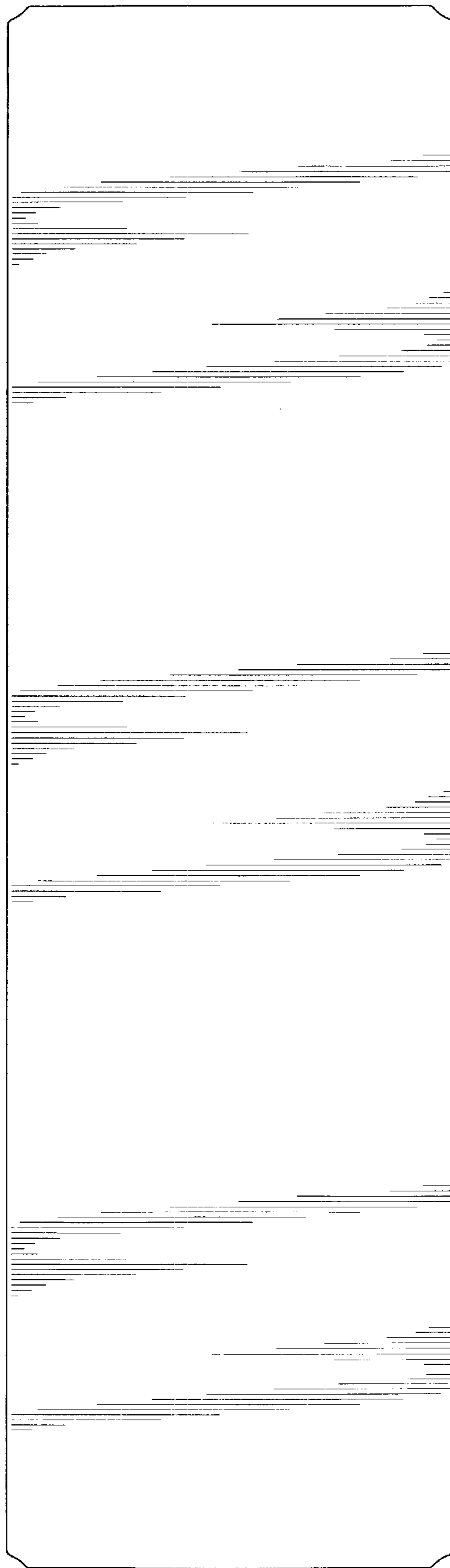


FIG. 7

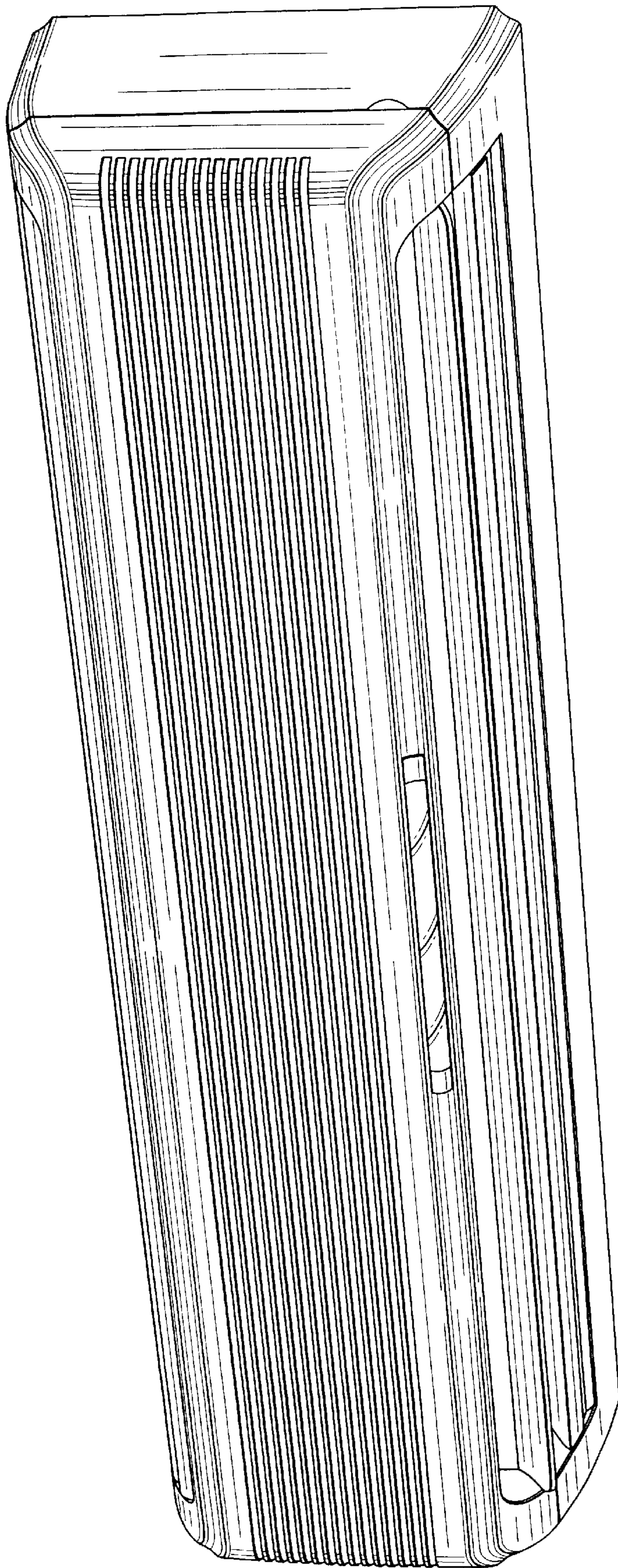


FIG. 8

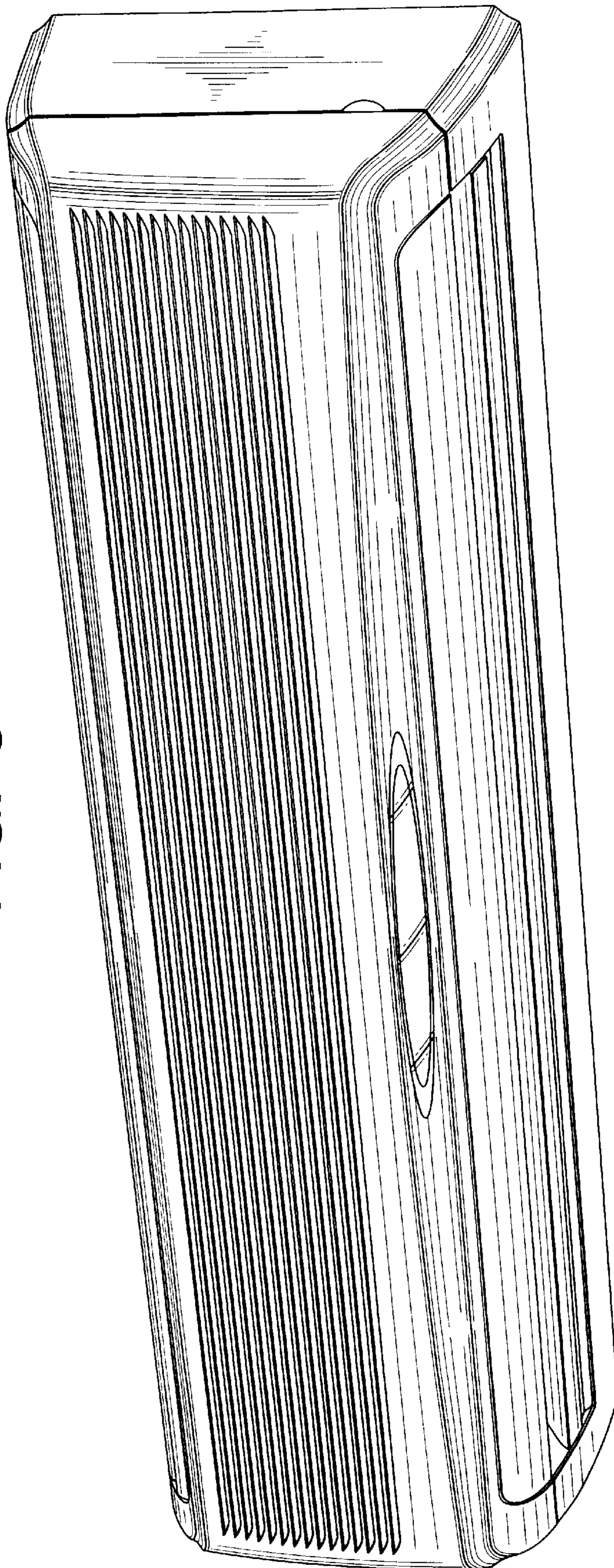




FIG. 9

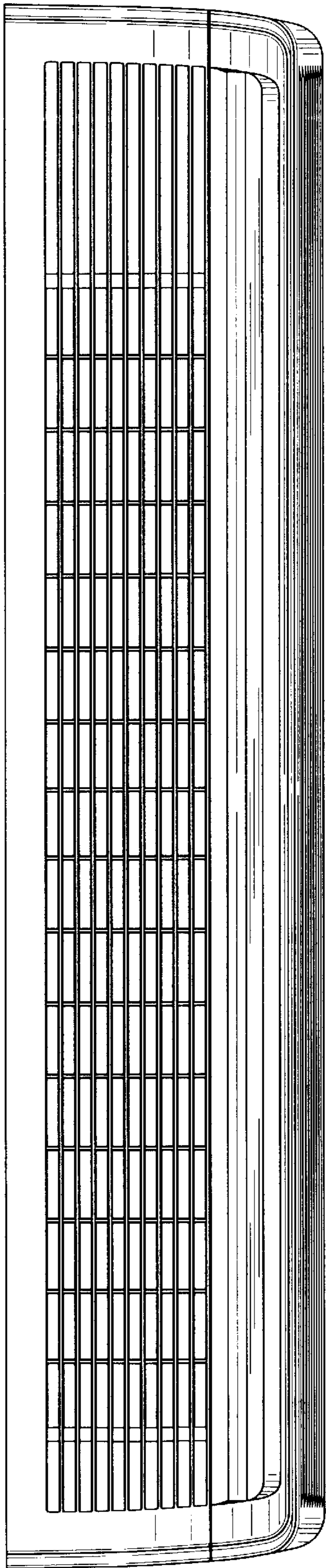
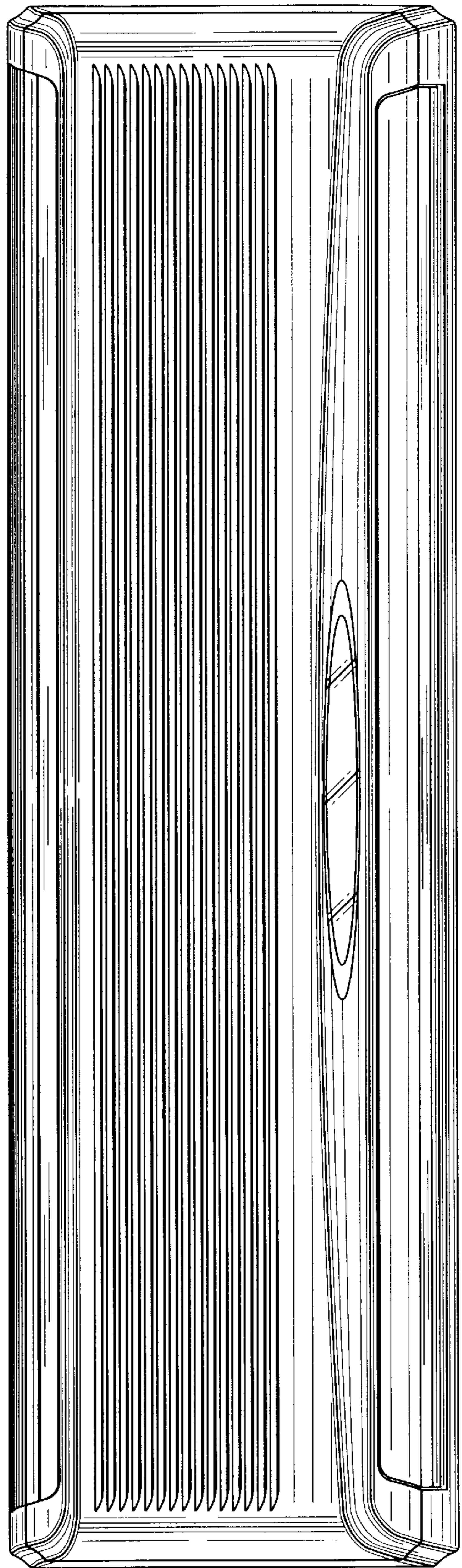


FIG. 10





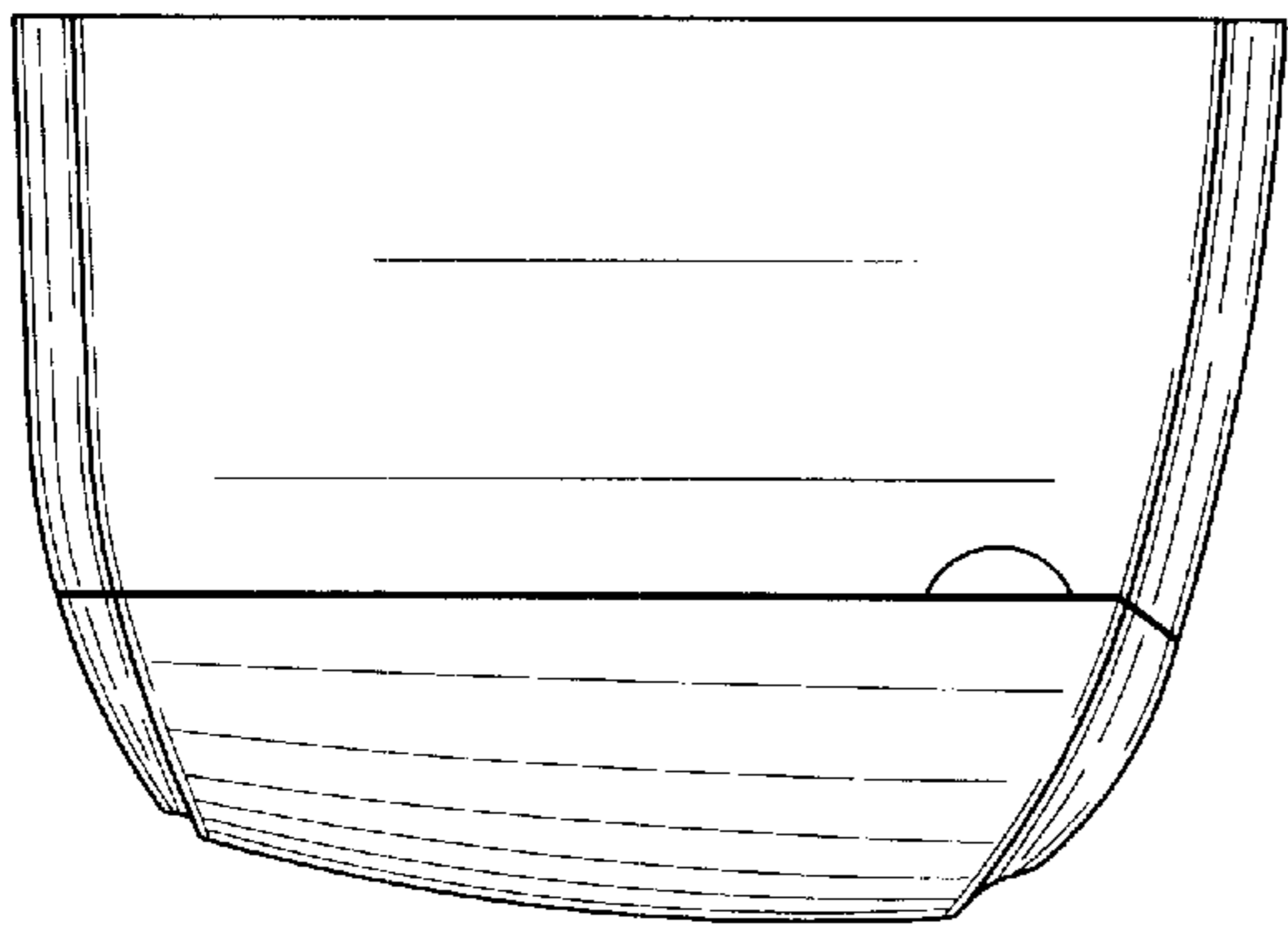
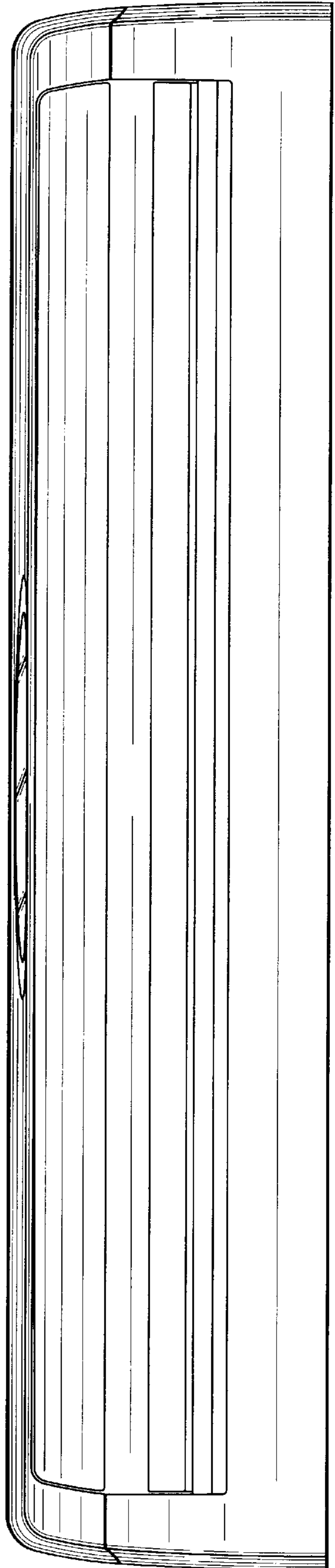
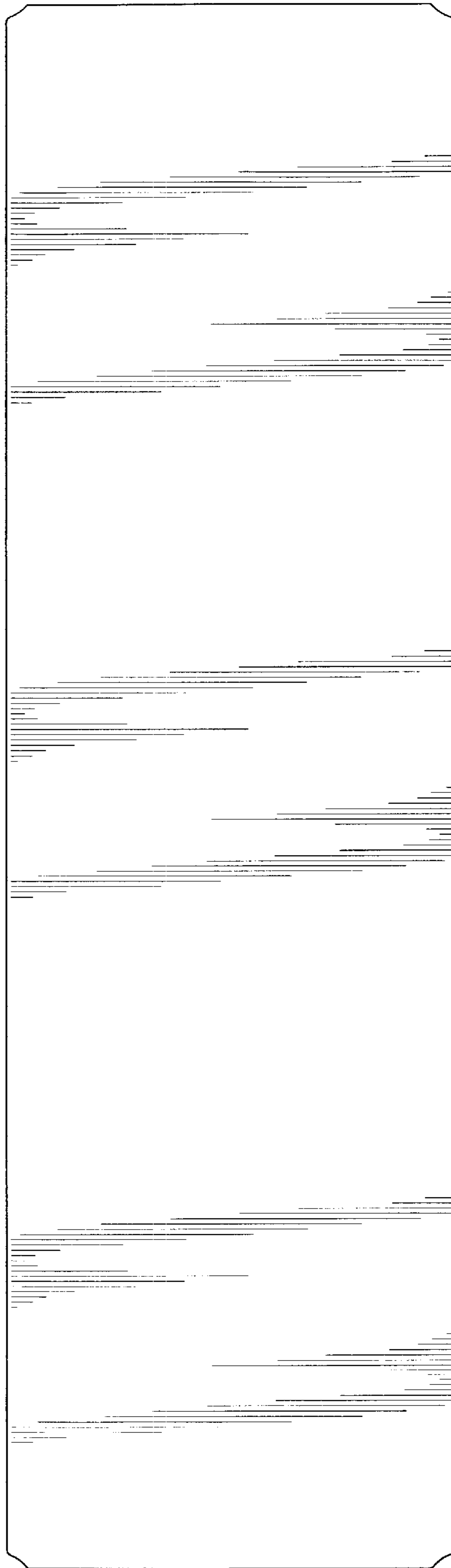


FIG. 11

FIG. 12



*FIG. 13*



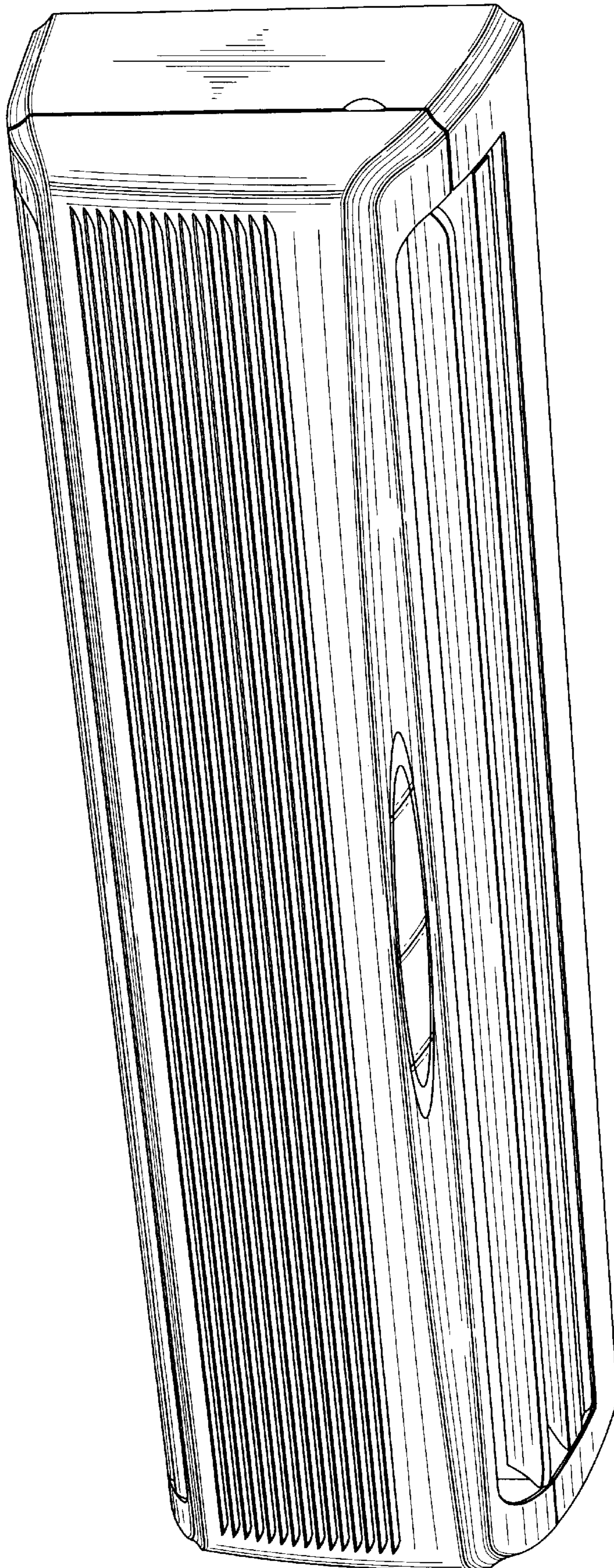


FIG. 14