



US00D465012S

(12) **United States Design Patent**
Tauzer

(10) **Patent No.:** **US D465,012 S**

(45) **Date of Patent:** **** Oct. 29, 2002**

(54) **THREE-PORT SHOWER HEADER ADAPTER**

D453,953 S * 2/2002 Pearl D23/213

(75) Inventor: **Paul Jeffrey Tauzer**, Petoskey, MI
(US)

* cited by examiner

Primary Examiner—Robin V. Taylor

(73) Assignee: **Alsons Corporation**, Hillsdale, MI
(US)

(57) **CLAIM**

(**) Term: **14 Years**

The ornamental design for the three-port shower header adapter, as shown and described.

(21) Appl. No.: **29/151,113**

DESCRIPTION

(22) Filed: **Nov. 2, 2001**

(51) **LOC (7) Cl.** **23-01**

(52) **U.S. Cl.** **D23/259; D23/249; D23/213;**
D23/263

(58) **Field of Search** D23/259, 249,
D23/262, 263, 213; 239/548, 550; 4/601

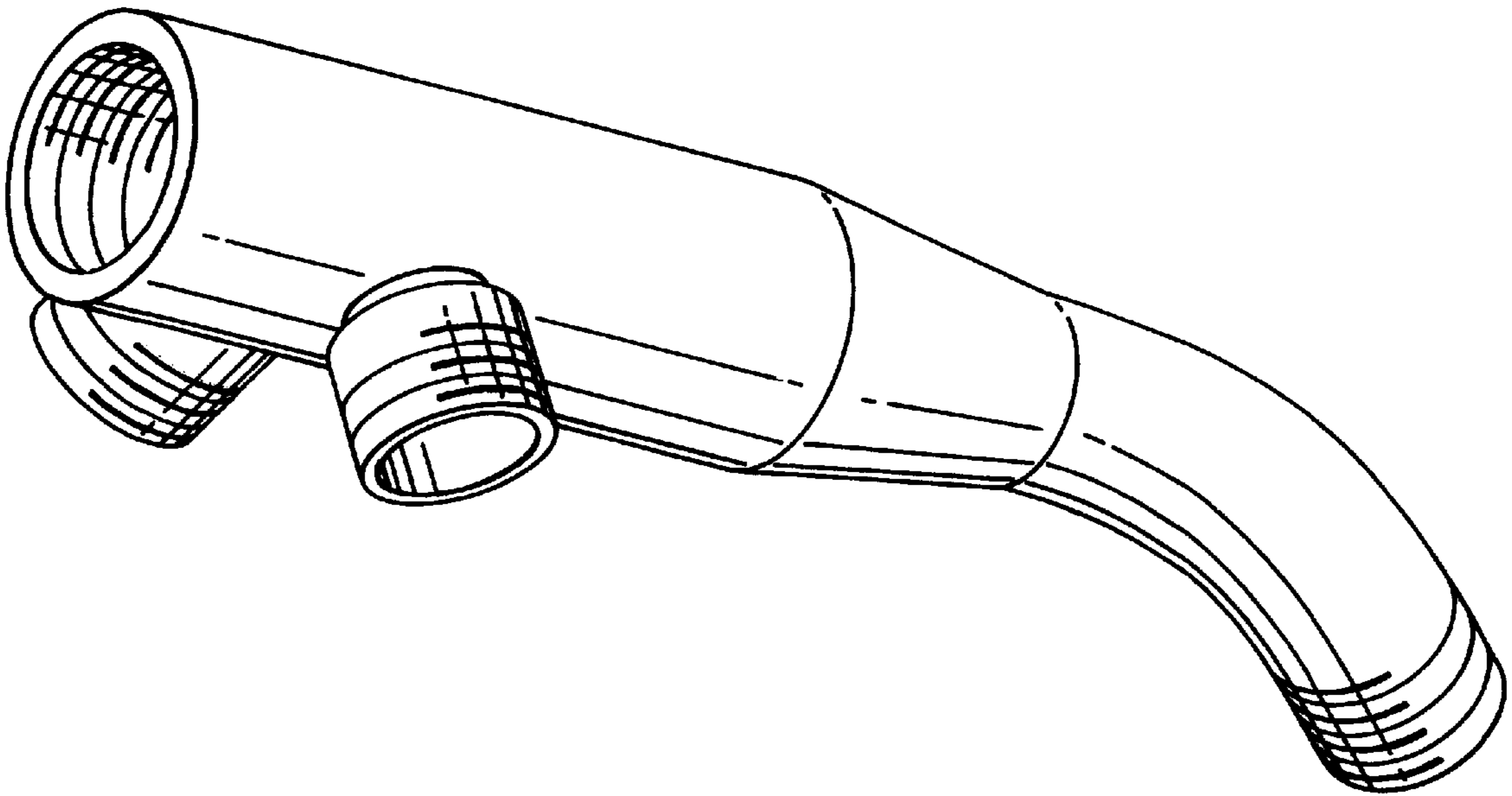
FIG. 1 is a perspective view of the unique three-port shower header adapter in accordance with the invention;
FIG. 2 is a top plan view of the three-port shower header adapter of FIG. 1;
FIG. 3 is a left side plan view of the three-port shower header adapter of FIG. 1 (with the right side plan view being a mirror image thereof);
FIG. 4 is a bottom plan view of the three-port shower header adapter of FIG. 1;
FIG. 5 is a front plan view of the three-port shower header adapter of FIG. 1; and,
FIG. 6 is a rear plan view of the three-port shower header adapter of FIG. 1.

(56) **References Cited**

U.S. PATENT DOCUMENTS

D249,276 S * 9/1978 Levin D23/263
D331,277 S * 11/1992 Murphy D23/263
D435,637 S * 12/2000 Wales D23/263
6,233,756 B1 * 5/2001 Holbrook 4/601

1 Claim, 2 Drawing Sheets



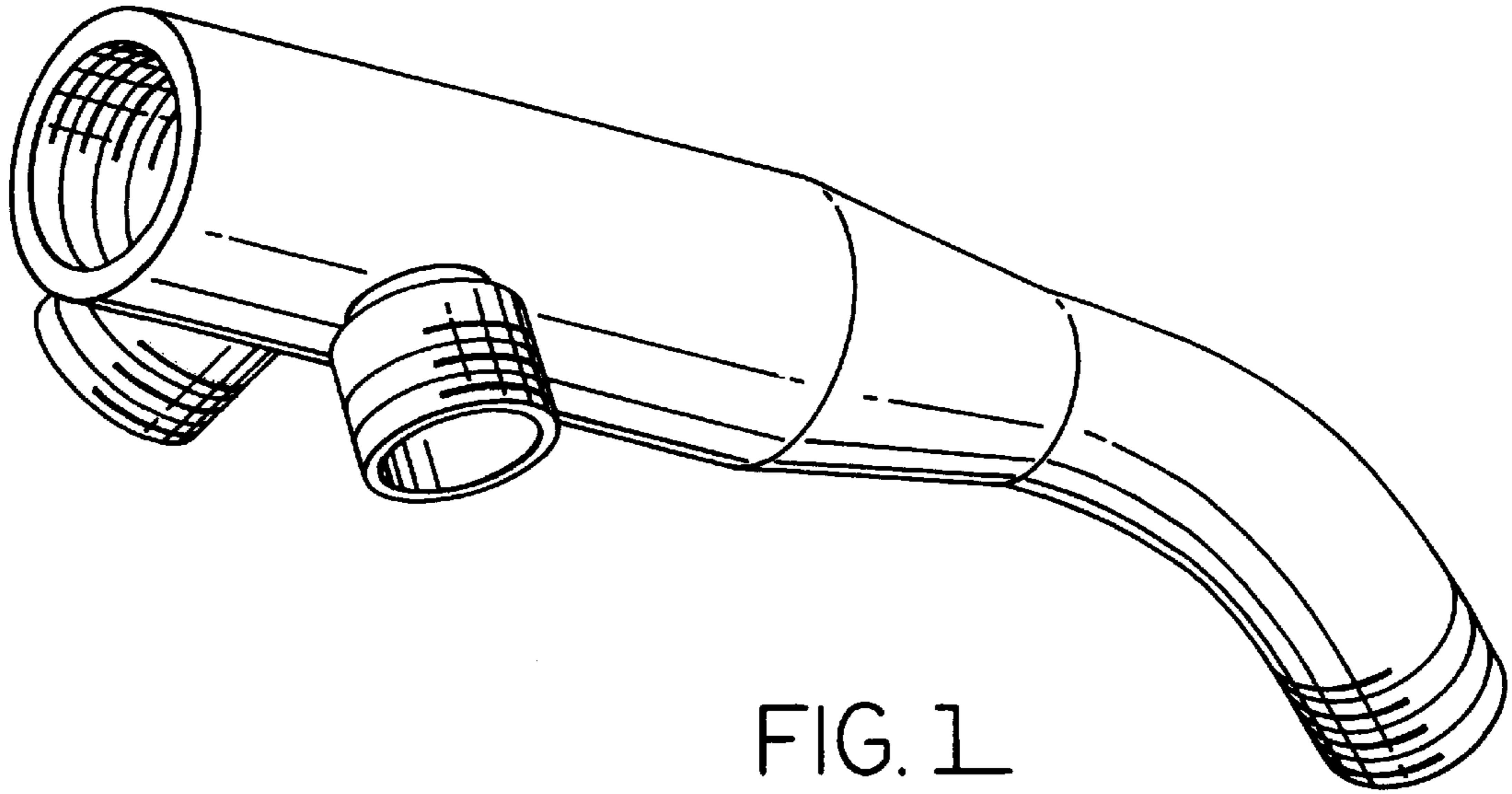


FIG. 1

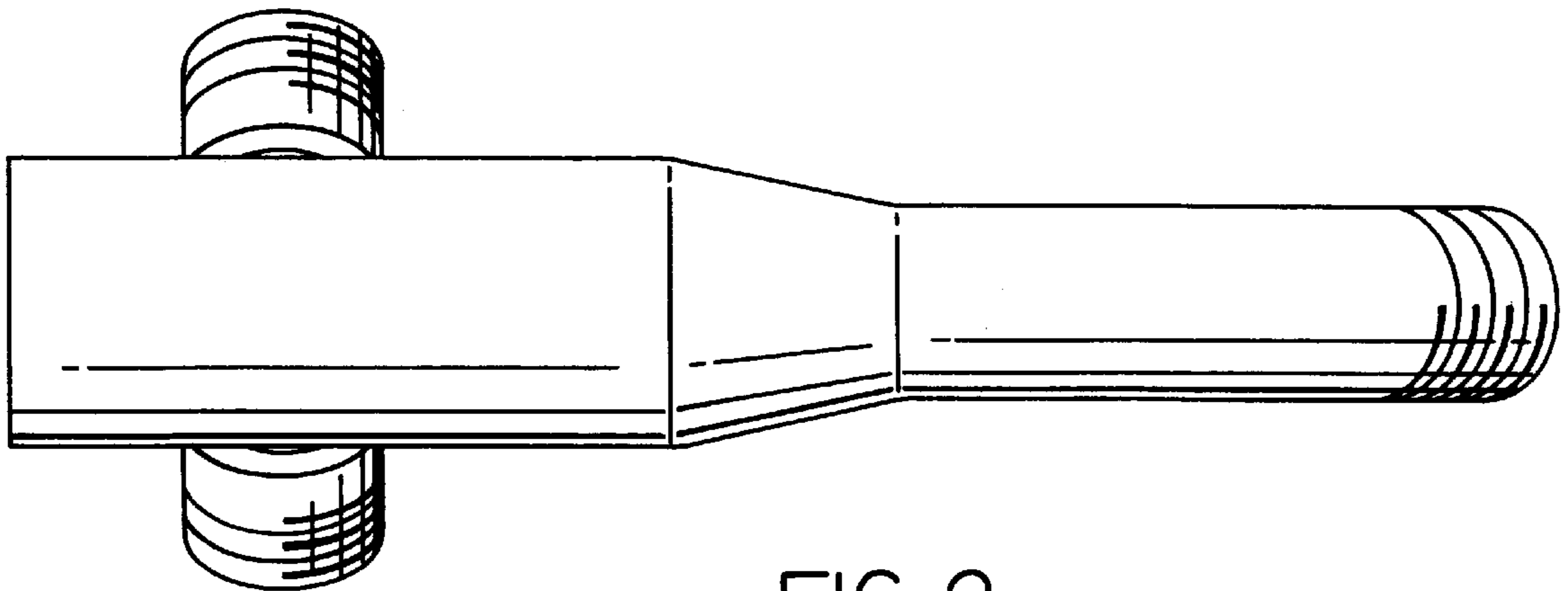


FIG. 2

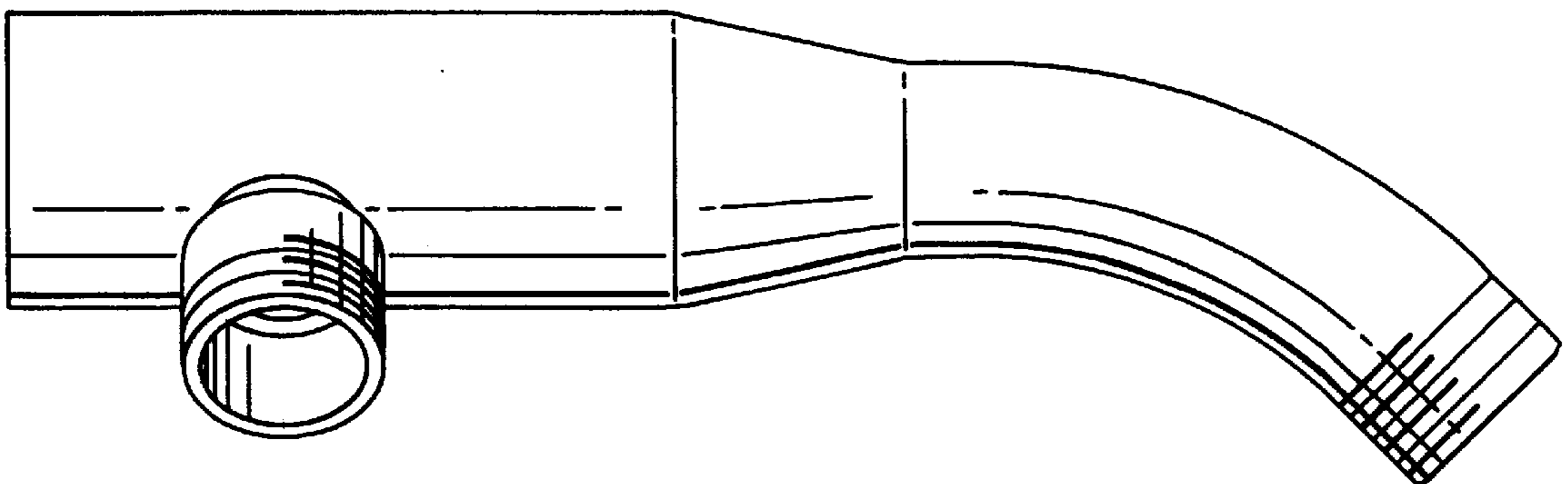


FIG. 3

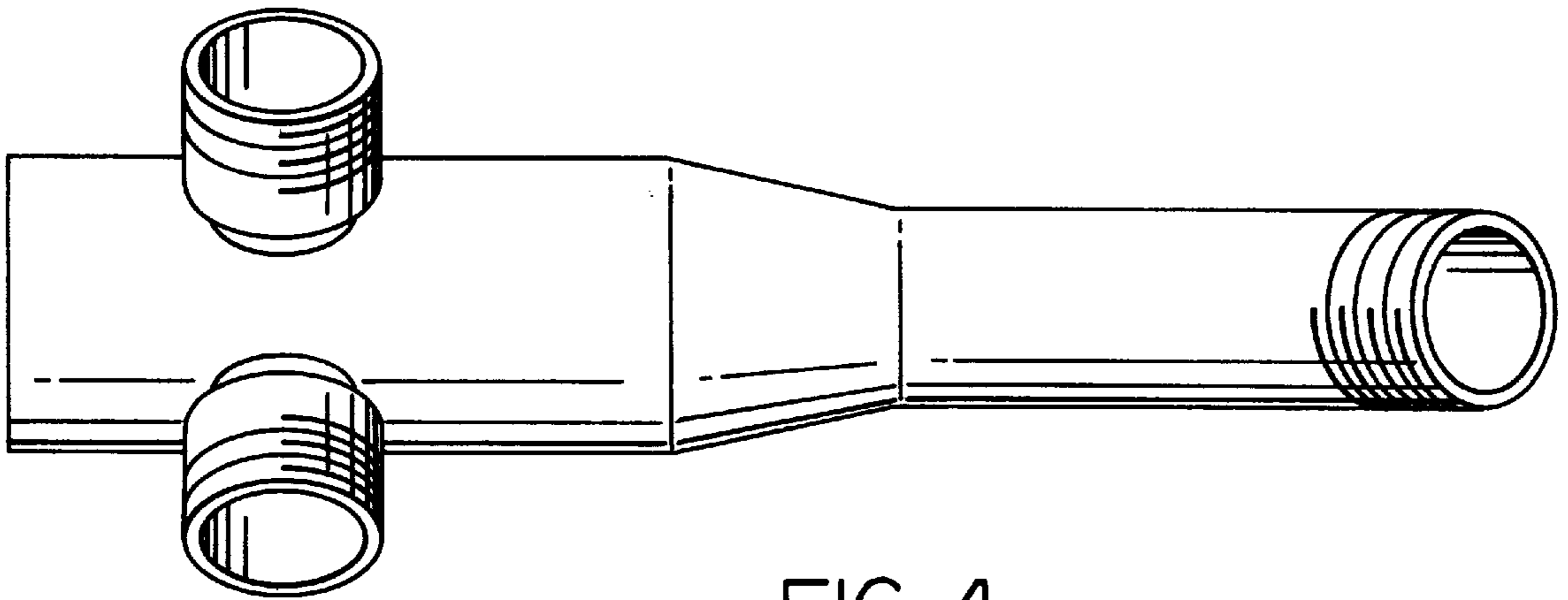


FIG. 4

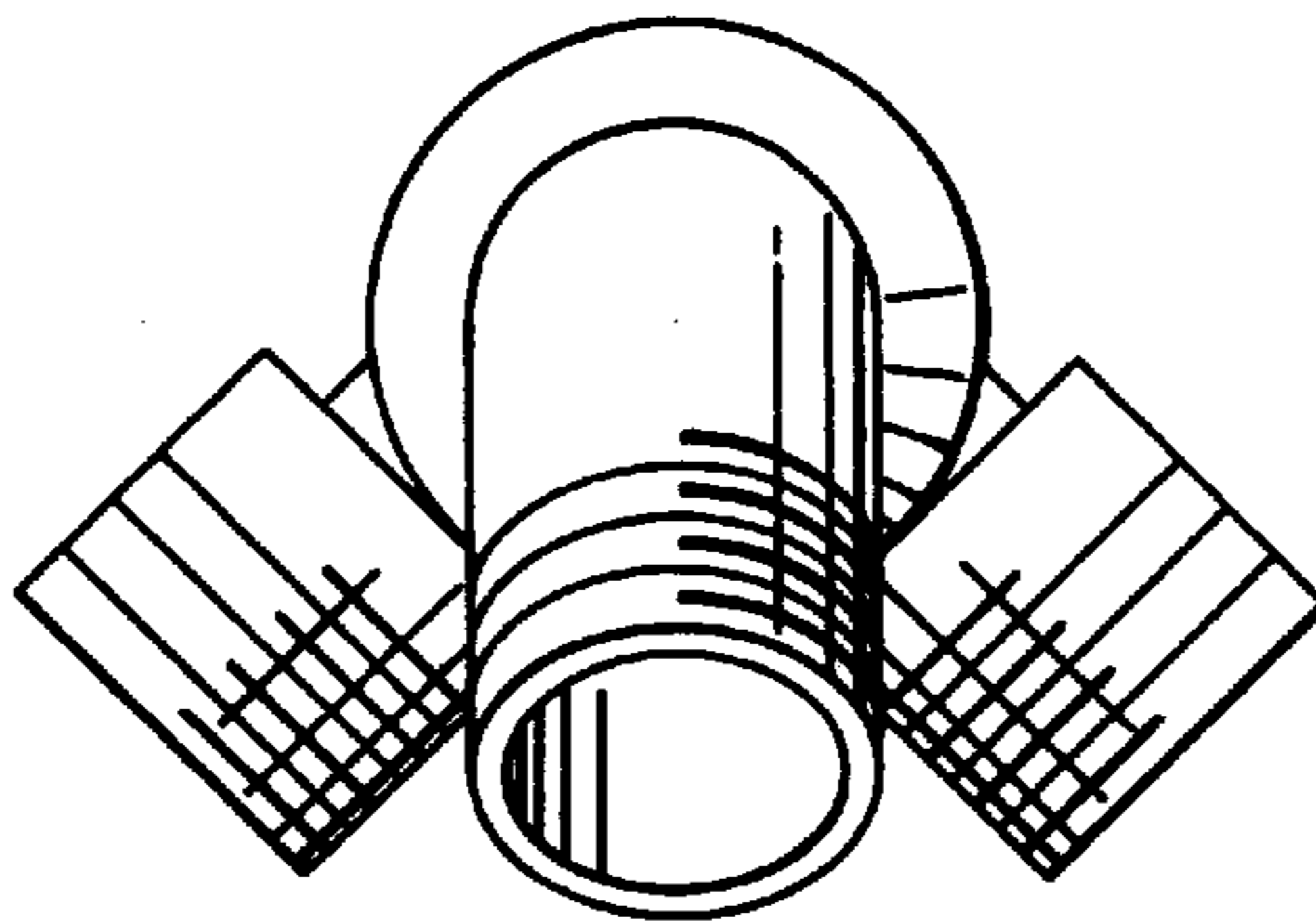


FIG. 5

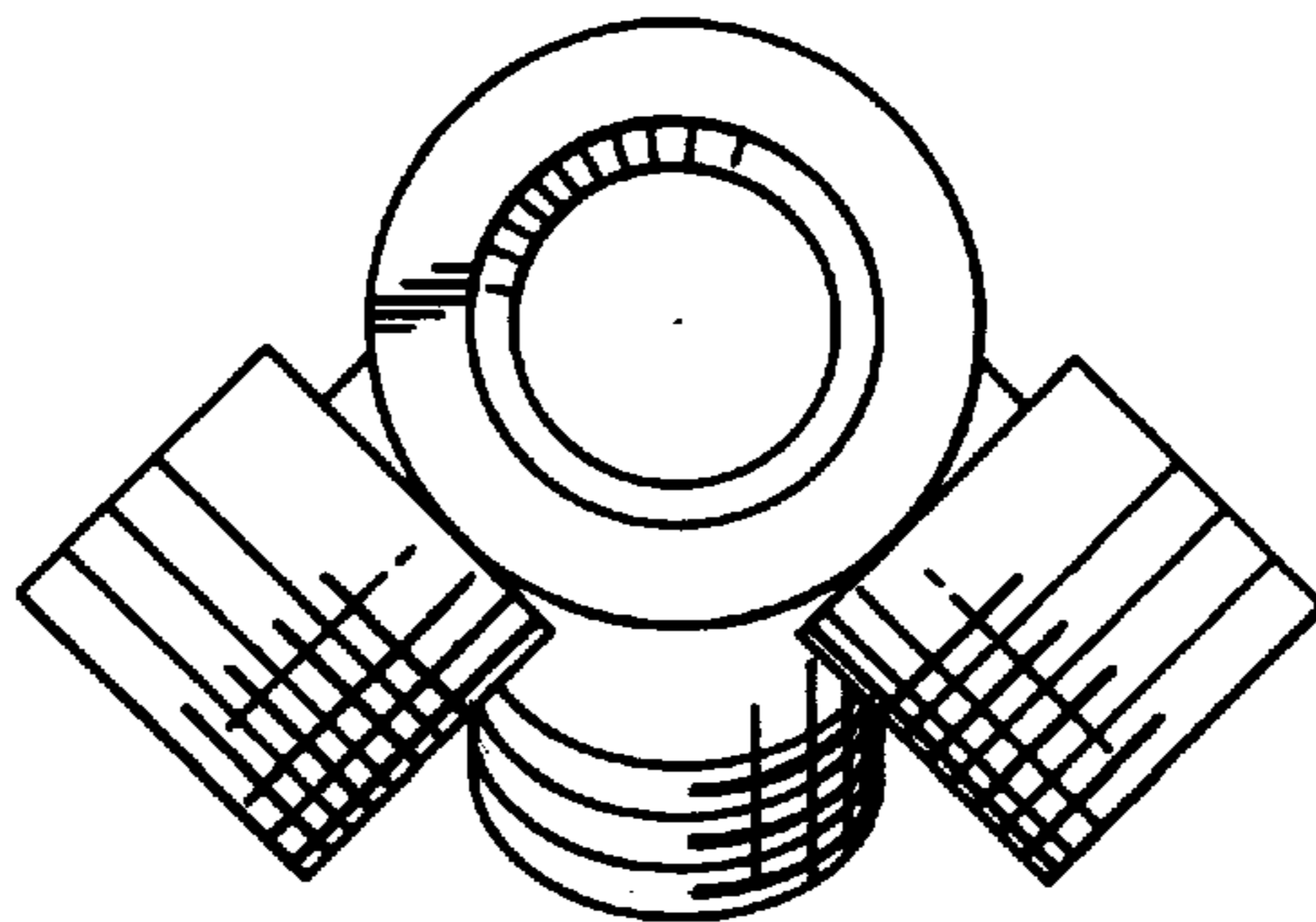


FIG. 6