



US00D465008S

(12) **United States Design Patent**
Lord

(10) **Patent No.:** **US D465,008 S**
(45) **Date of Patent:** **** Oct. 29, 2002**

(54) **FAUCET**

(75) Inventor: **Judd A. Lord**, Carmel, IN (US)

(73) Assignee: **Masco Corporation of Indiana**,
Indianapolis, IN (US)

(**) Term: **14 Years**

(21) Appl. No.: **29/136,760**

(22) Filed: **Feb. 7, 2001**

(51) **LOC (7) Cl.** **23-01**

(52) **U.S. Cl.** **D23/241; D23/238; D23/242**

(58) **Field of Search** **D23/238-257;**
4/675-678; 137/801

(56) **References Cited**

U.S. PATENT DOCUMENTS

D287,395 S	*	12/1986	Piesco	D23/255
D318,099 S	*	7/1991	Reid et al.	D23/255
D375,345 S	*	11/1996	Warshawsky	D23/241
D377,516 S	*	1/1997	Doughty et al.	D23/241
D407,466 S	*	3/1999	Hundley et al.	D23/252
D438,292 S	*	2/2001	Lord	D23/249
D448,456 S	*	9/2001	Lord	D23/249

OTHER PUBLICATIONS

- U.S. patent application Ser. No. 29/136,750 filed Feb. 7, 2001.
- U.S. patent application Ser. No. 29/136,845 filed Feb. 7, 2001.
- U.S. patent application Ser. No. 29/136,756 filed Feb. 7, 2001.
- U.S. patent application Ser. No. 29/136,836 filed Feb. 7, 2001.
- U.S. patent application Ser. No. 29/136,804 filed Feb. 7, 2001.
- U.S. patent application Ser. No. 29/136,839 filed Feb. 7, 2001.
- U.S. patent application Ser. No. 29/136,833 filed Feb. 7, 2001.

- U.S. patent application Ser. No. 29/136,752 filed Feb. 7, 2001.
- U.S. patent application Ser. No. 29/136,765 filed Feb. 7, 2001.
- U.S. patent application Ser. No. 29/136,769 filed Feb. 7, 2001.
- U.S. patent application Ser. No. 29/136,805 filed Feb. 7, 2001.
- U.S. patent application Ser. No. 29/136,782 filed Feb. 7, 2001.
- U.S. patent application Ser. No. 29/136,761 filed Feb. 7, 2001.
- U.S. patent application Ser. No. 29/136,766 filed Feb. 7, 2001.
- U.S. patent application Ser. No. 29/136,763 filed Feb. 7, 2001.
- U.S. patent application Ser. No. 29/136,773 filed Feb. 7, 2001.

* cited by examiner

Primary Examiner—Louis S. Zarfes
Assistant Examiner—Gregory Andoll
(74) *Attorney, Agent, or Firm*—Myron B. Kapustij; Lloyd D. Doigan

(57) **CLAIM**

The ornamental design for a faucet, as shown and described.

DESCRIPTION

FIG. 1 is a front perspective view of the faucet showing my new design;
FIG. 2 is a rear perspective view thereof;
FIG. 3 is a front elevational view thereof;
FIG. 4 is a left side elevational view thereof, the right side being a mirror image;
FIG. 5 is a rear elevational view thereof;
FIG. 6 is a top plan view thereof; and,
FIG. 7 is a bottom plan view thereof.
The broken line showing of the top and rear finials in FIGS. 1 and 2 and of the apertures in FIG. 7 are for purposes of illustration only and form no part of the claimed design.

1 Claim, 7 Drawing Sheets

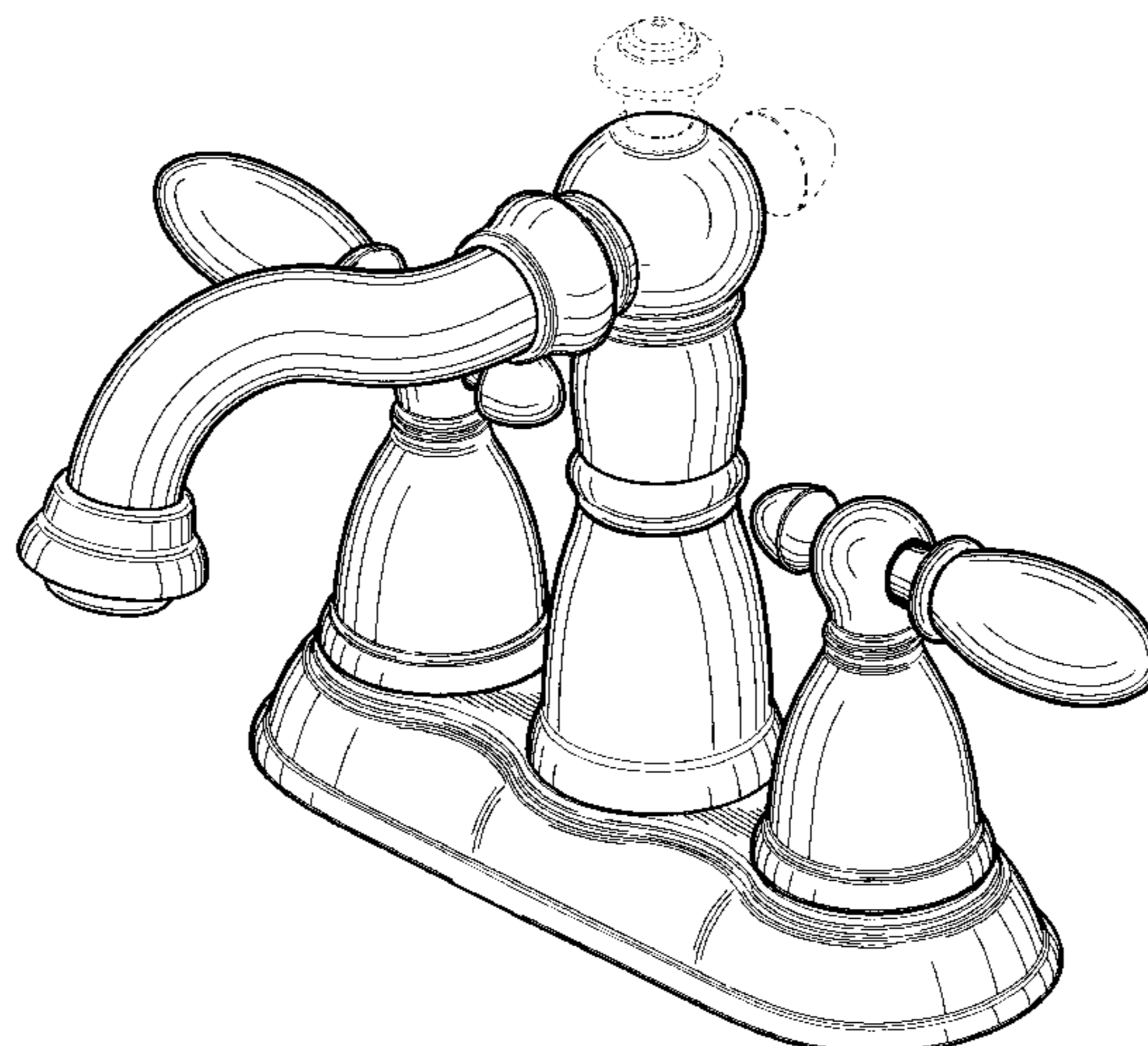


Figure - 1

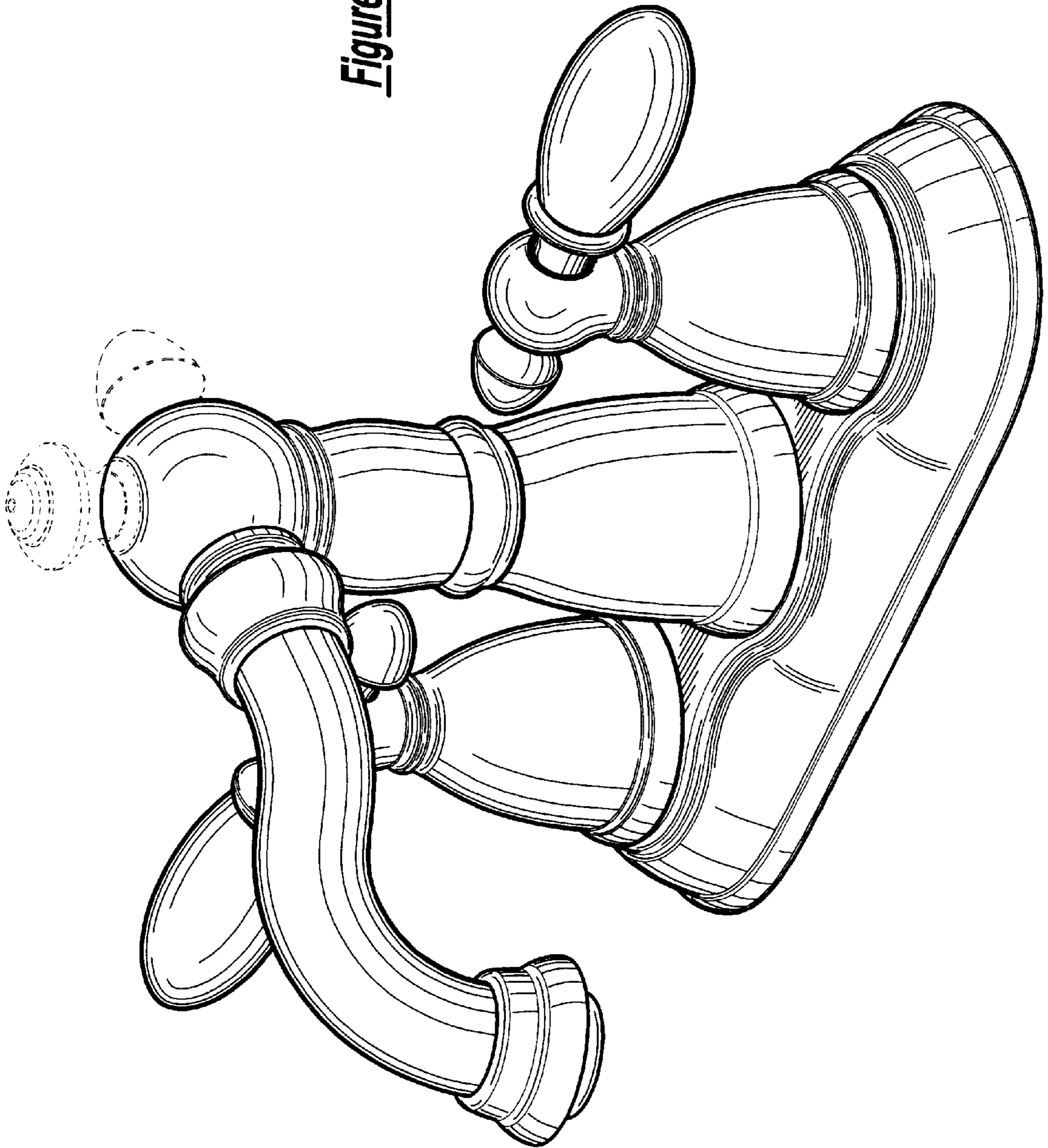


Figure - 2

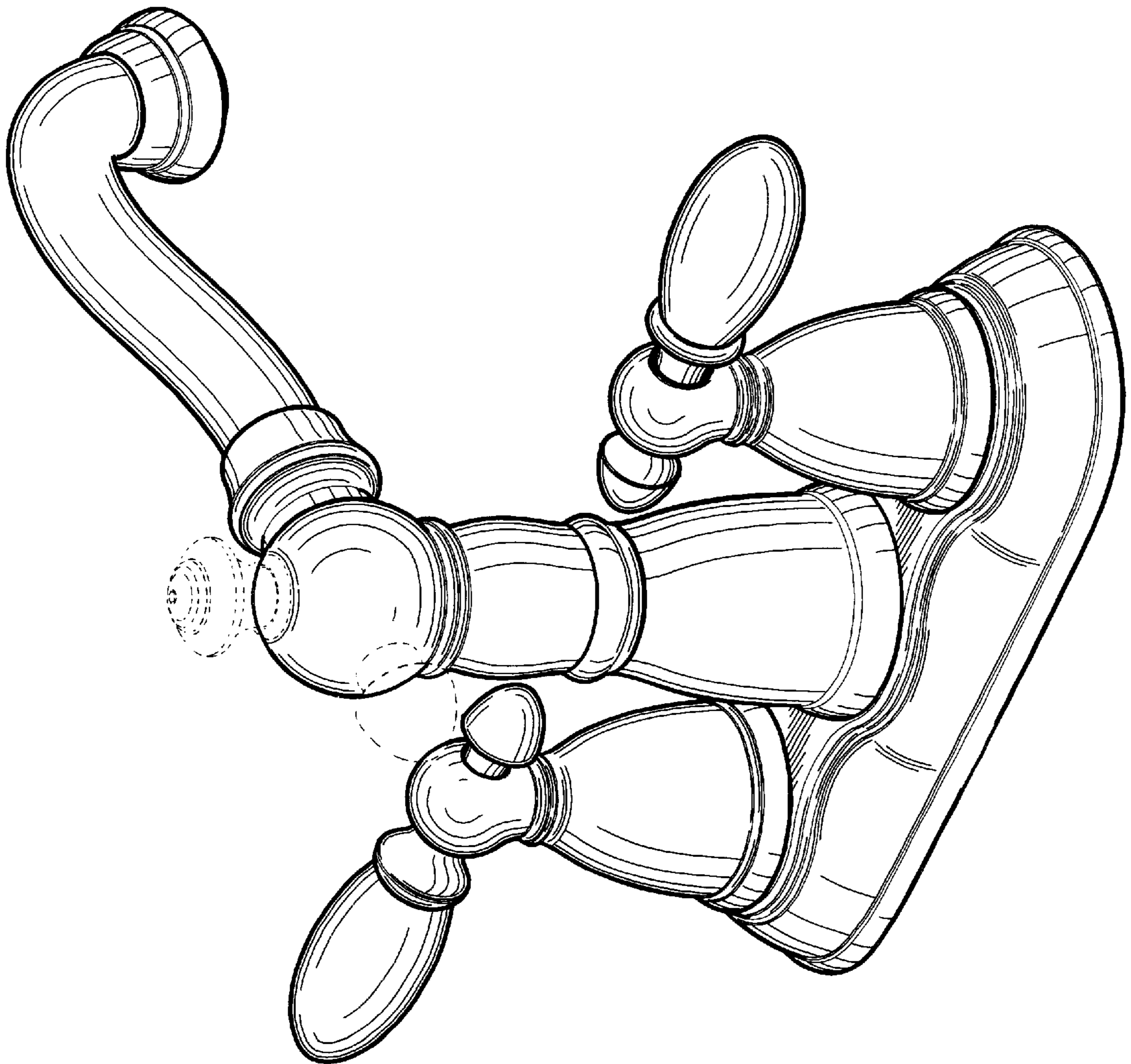
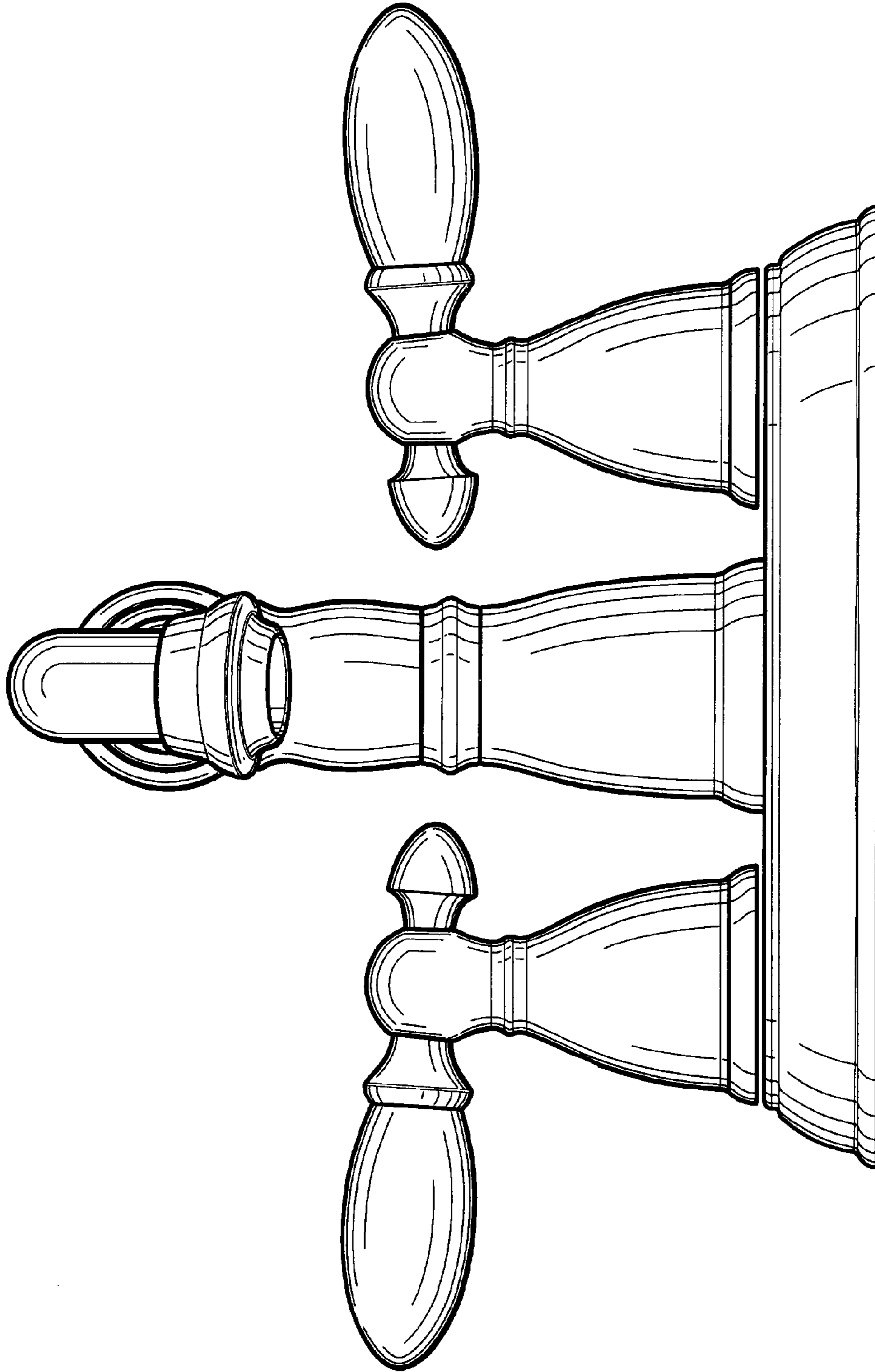


Figure - 3



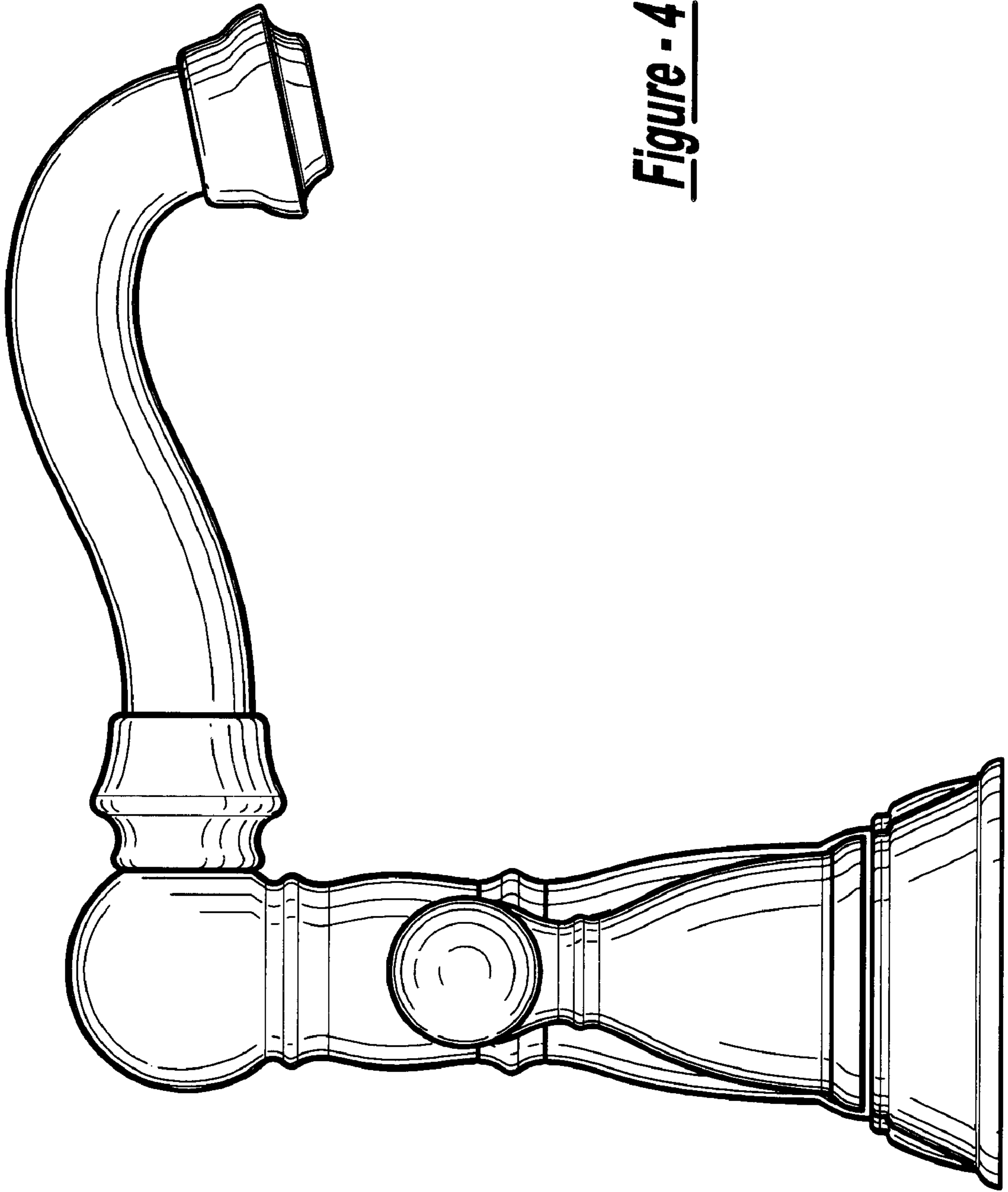
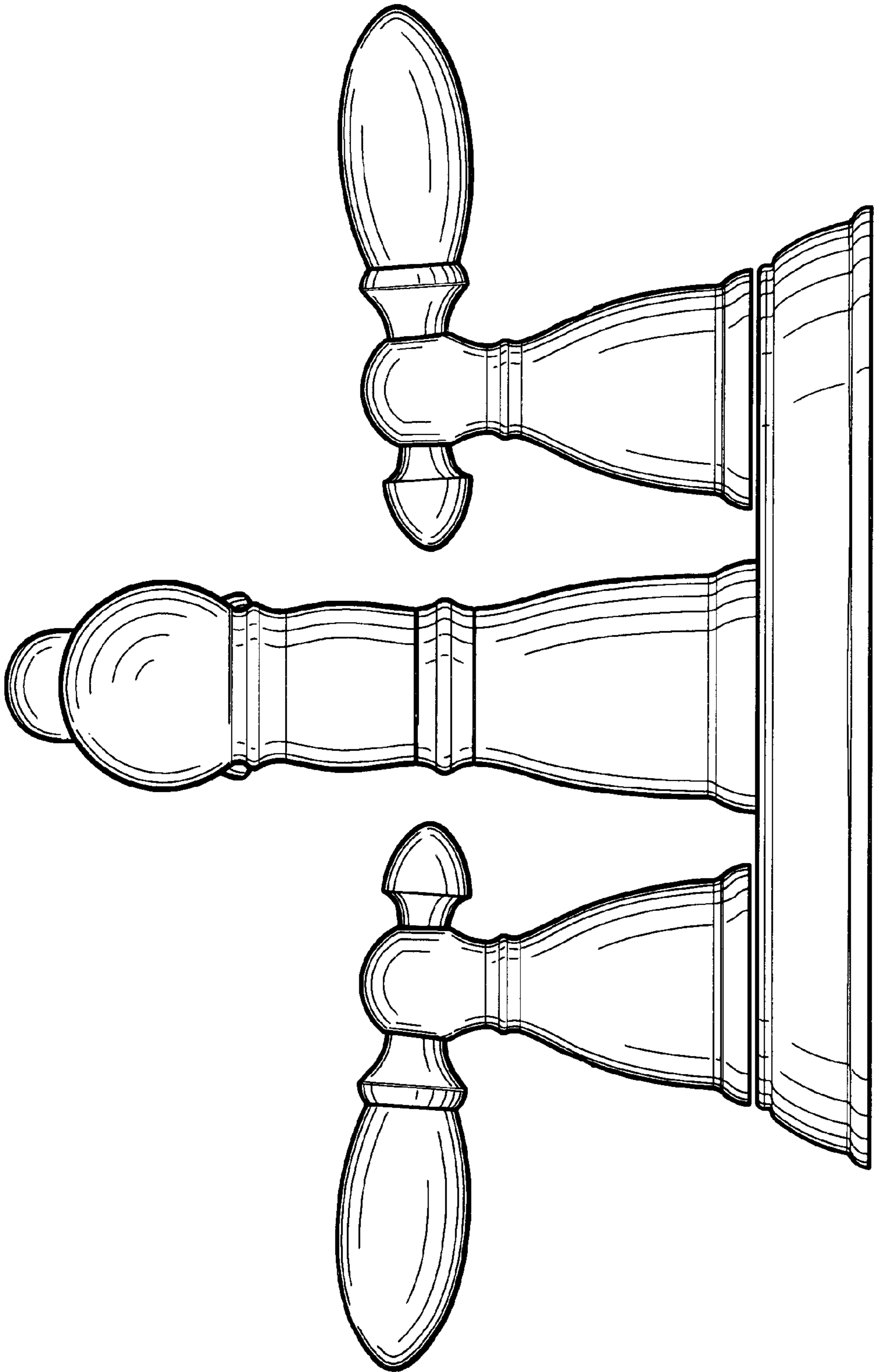


Figure - 4

Figure - 5



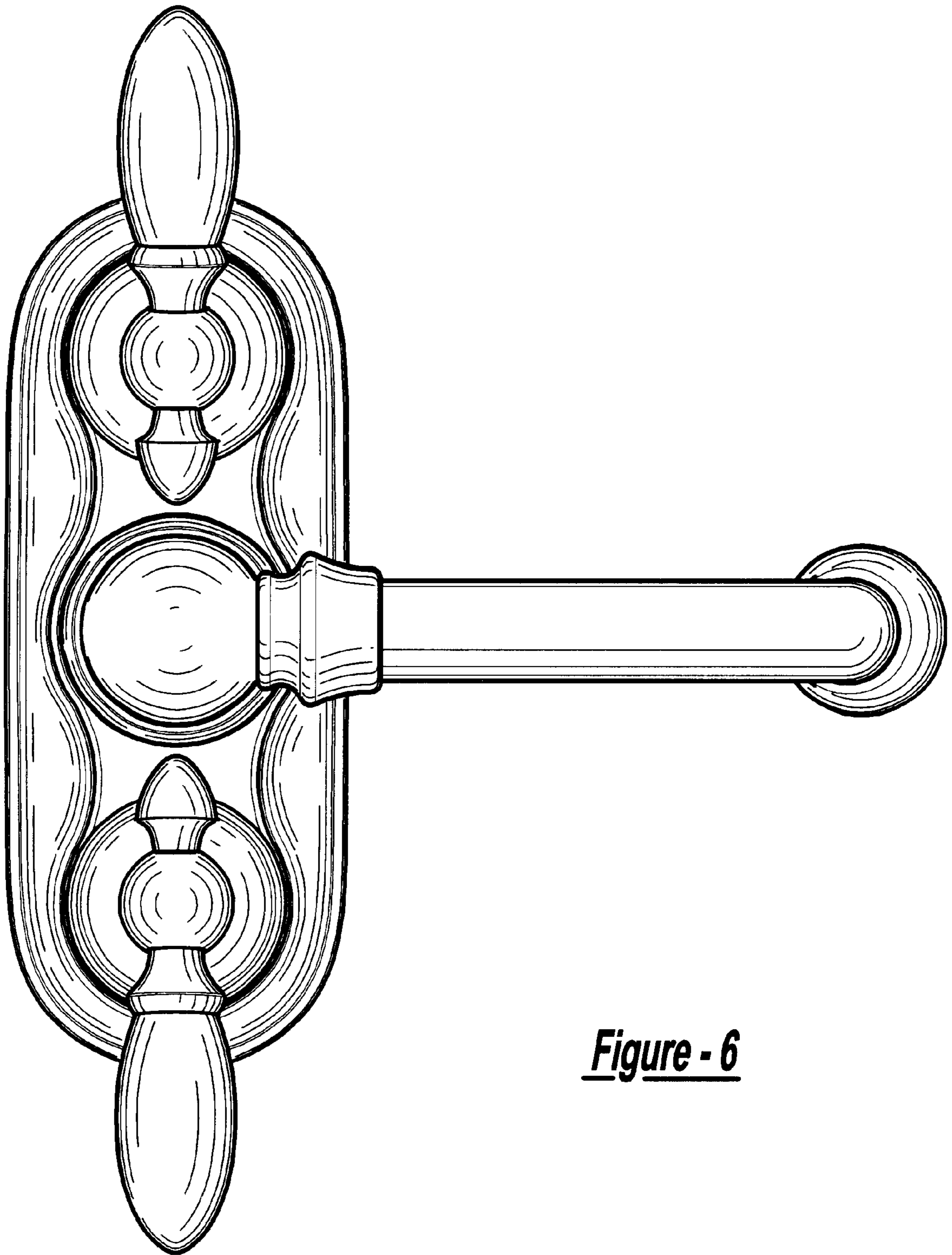


Figure - 6

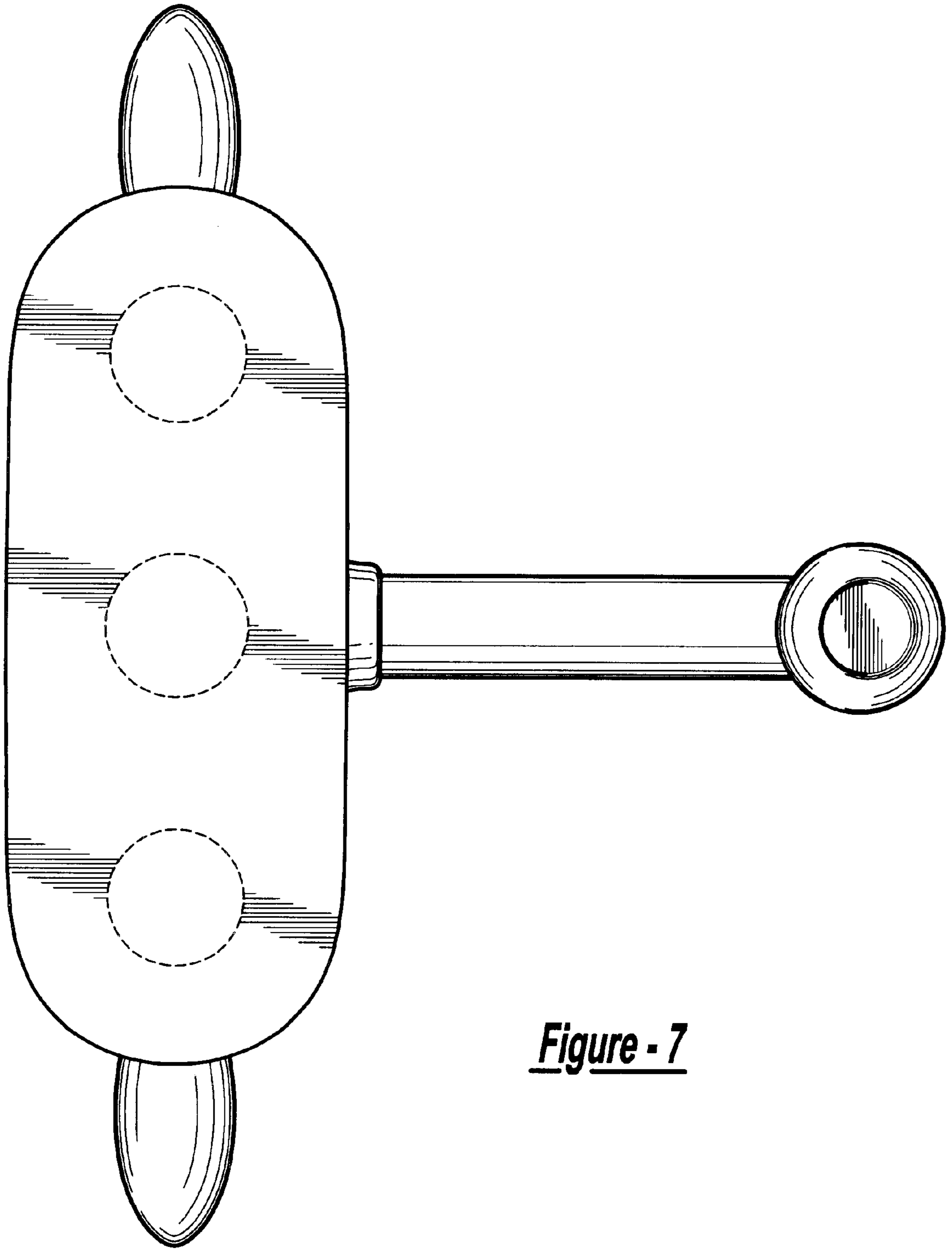


Figure - 7