



US00D465006S

(12) **United States Design Patent**  
**Kissner**

(10) **Patent No.:** **US D465,006 S**

(45) **Date of Patent:** **\*\* Oct. 29, 2002**

(54) **FISHING ROD HOLDER**

(76) Inventor: **Terry Lynn Kissner**, 10081 23rd Ave.  
NW., Westhope, ND (US) 58793

(\*\*) Term: **14 Years**

(21) Appl. No.: **29/133,749**

(22) Filed: **Dec. 5, 2000**

(51) **LOC (7) Cl.** ..... **22-05**

(52) **U.S. Cl.** ..... **D22/147**

(58) **Field of Search** ..... D22/147, 148,  
D22/199; 43/21.2, 15, 16, 17; 248/518,  
514, 512, 534, 535; 211/70.8

(56) **References Cited**

**U.S. PATENT DOCUMENTS**

D407,137 S \* 3/1999 Thompson ..... D22/147

D408,885 S \* 4/1999 O'Neill ..... D22/147

D443,020 S \* 5/2001 Ratza et al. .... D22/147

\* cited by examiner

*Primary Examiner*—Catherine R. Oliver

(74) *Attorney, Agent, or Firm*—Curtis V. Harr

(57) **CLAIM**

The ornamental design for a fishing rod holder, as shown and described.

**DESCRIPTION**

FIG. 1 is a perspective view of the fishing rod holder showing my new design;

FIG. 2 is a side elevation view thereof;

FIG. 3 is a front elevation view thereof; and,

FIG. 4 is a rear elevation view thereof.

**1 Claim, 3 Drawing Sheets**

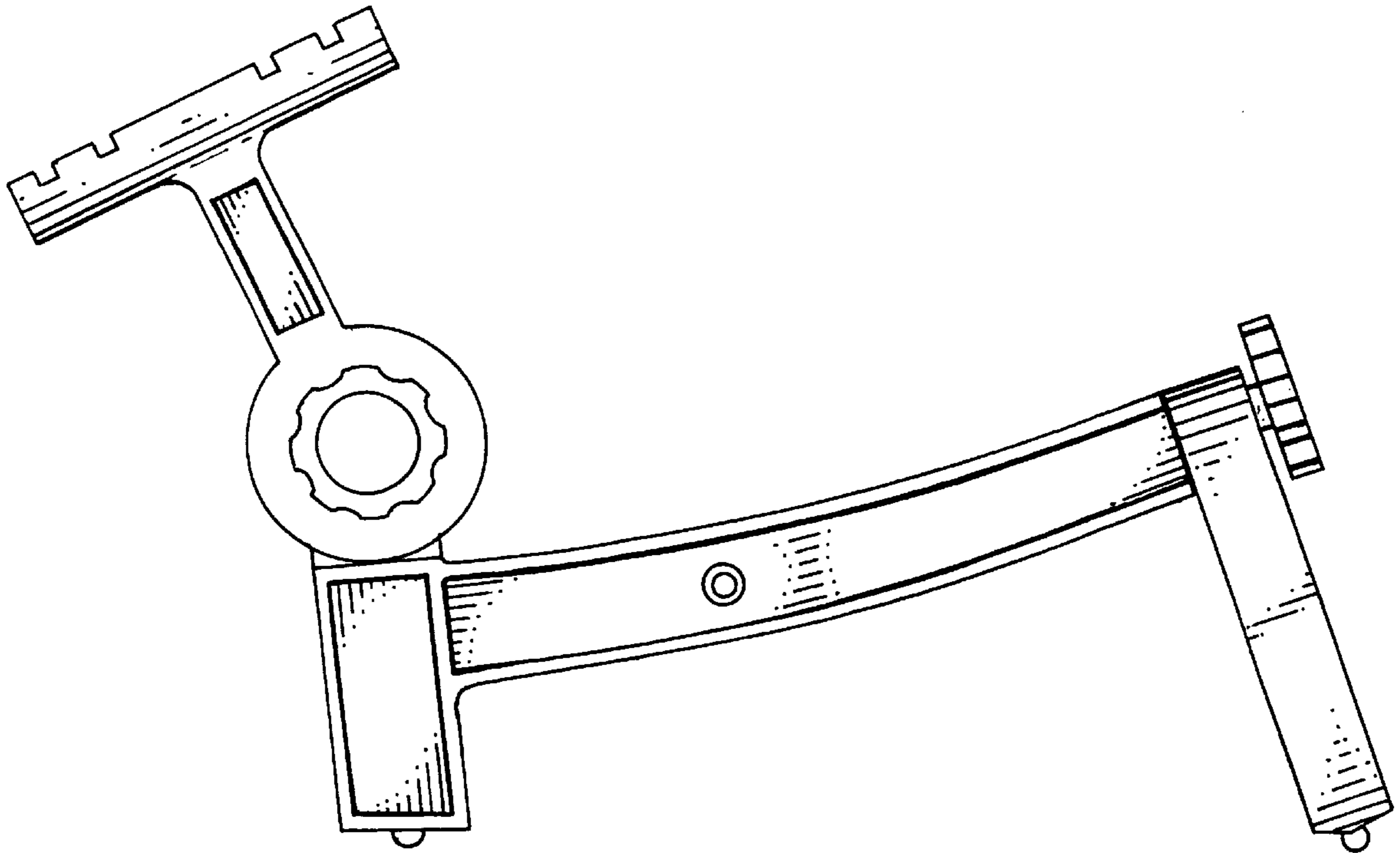
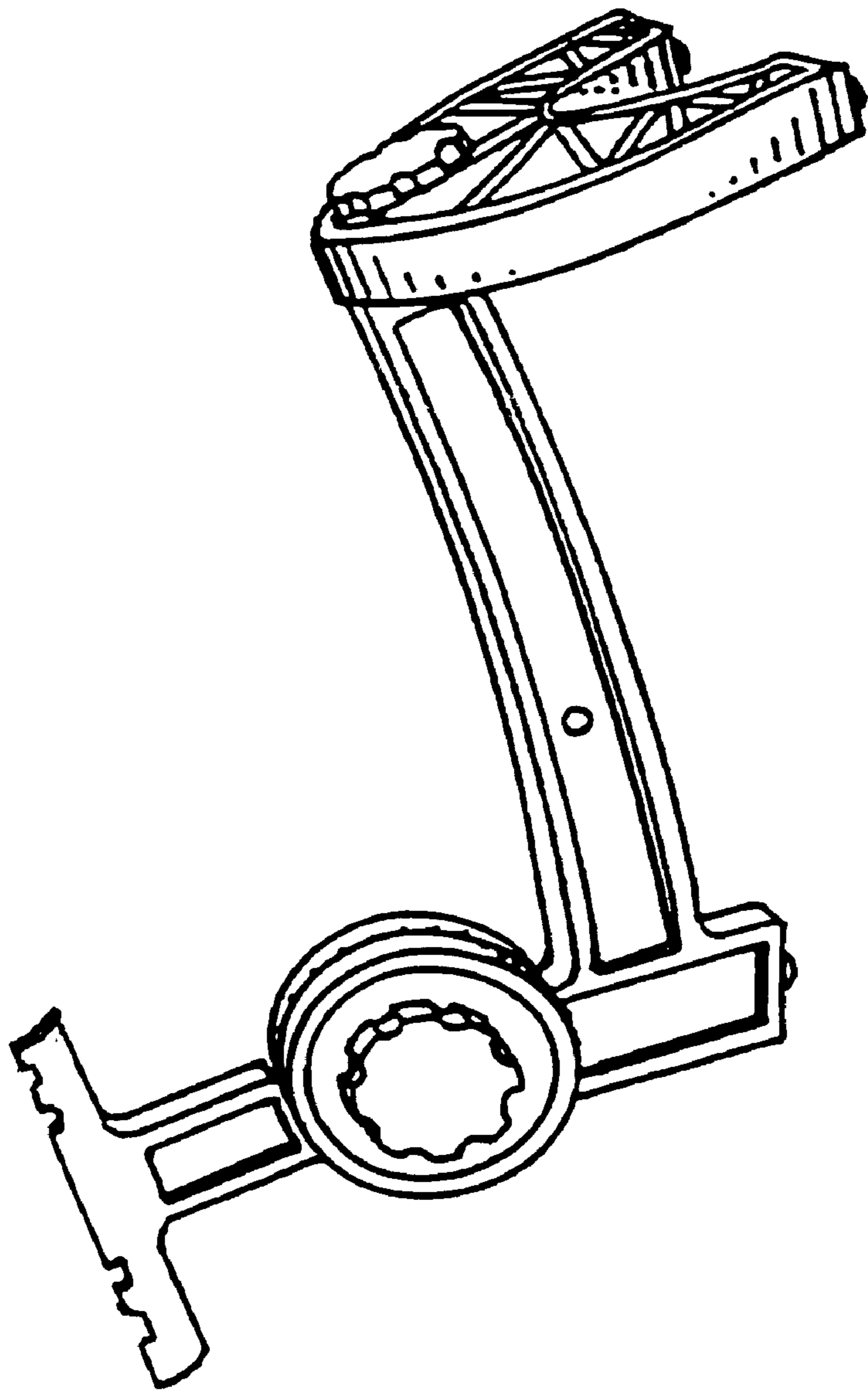


FIG 1



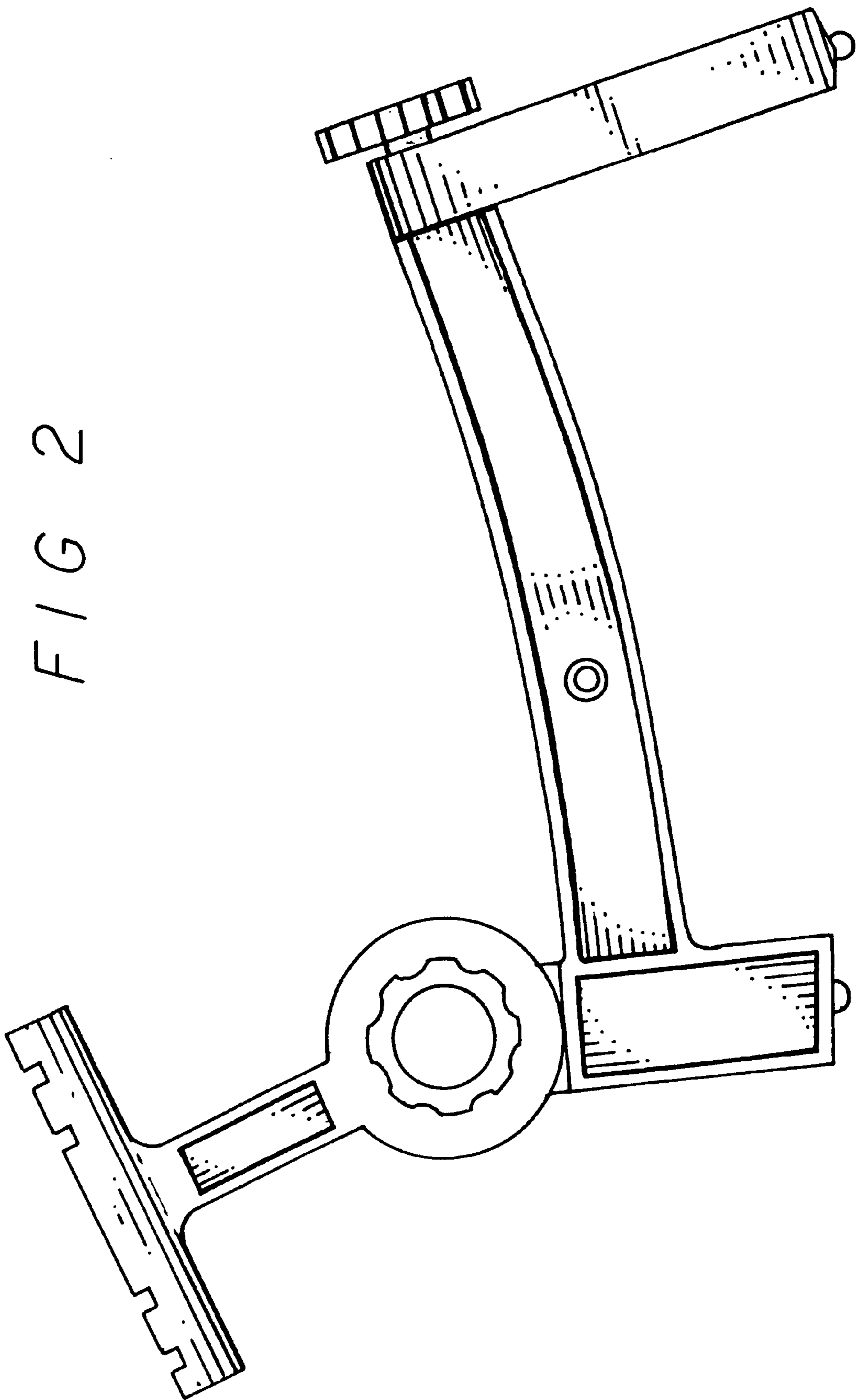


FIG 2

FIG 3

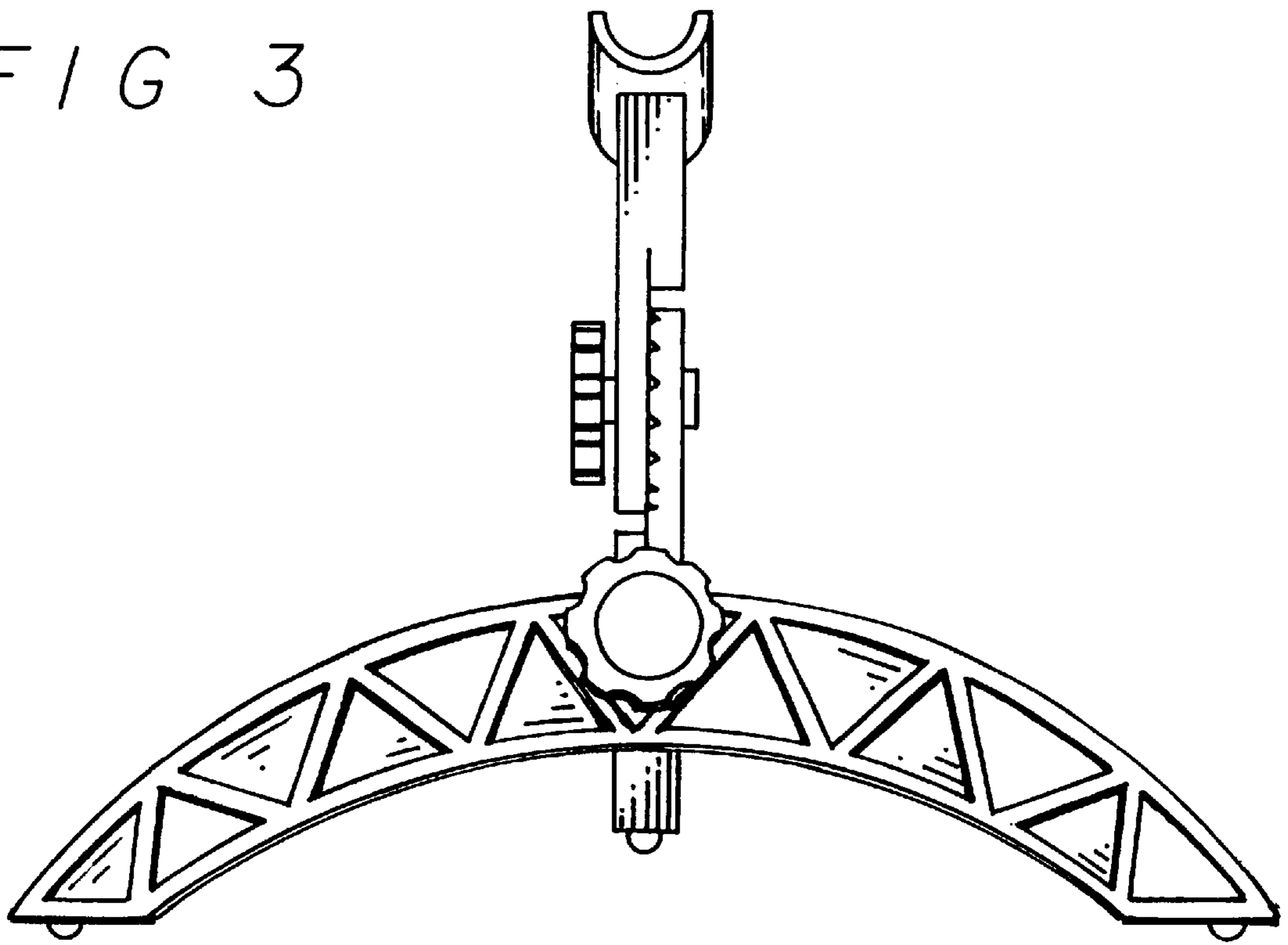


FIG 4

