



US00D465003S

(12) **United States Design Patent**
Öhrvall et al.

(10) **Patent No.:** **US D465,003 S**

(45) **Date of Patent:** **** Oct. 29, 2002**

(54) **ROLLER SKI**

6,254,113 B1 * 7/2001 Dornan 280/842

(75) Inventors: **Roland Öhrvall**, Öjebyn (SE); **Peter Stenlund**, Piteå (SE); **Niclas Jonsson**, Piteå (SE); **Magnus Ingesson**, Piteå (SE)

* cited by examiner

Primary Examiner—Raphael Barkai
(74) *Attorney, Agent, or Firm*—Banner & Witcoff, Ltd.

(73) Assignee: **Samhall Bothnia AB** (SE)

(57) **CLAIM**

(**) Term: **14 Years**

The ornamental design for a roller ski, as shown and described.

(21) Appl. No.: **29/147,018**

DESCRIPTION

(22) Filed: **Aug. 22, 2001**

FIG. 1 is a top, side perspective view of a roller ski showing our new design, the opposite side being a mirror image thereof;

(30) **Foreign Application Priority Data**

Feb. 22, 2001 (SE) 01-0355

FIG. 2 is a top, side perspective view thereof illustrating the side shown in FIG. 1;

(51) **LOC (7) Cl.** **21-02**

FIG. 3 is a bottom, side perspective view thereof illustrating the side shown in FIG. 1, the opposite side being a mirror image thereof;

(52) **U.S. Cl.** **D21/763; D21/765; D21/760**

(58) **Field of Search** D21/760-767, D21/771, 779; 280/842, 843, 11.19, 11.22, 11.23, 11.25, 11.27, 11.28, 87.041, 87.042, 11.226, 11.227, 87.01

FIG. 4 is a bottom, side perspective view thereof illustrating the side shown in FIG. 3;

(56) **References Cited**

FIG. 5 is a bottom, side perspective view thereof taken from a slightly different elevation than FIG. 3;

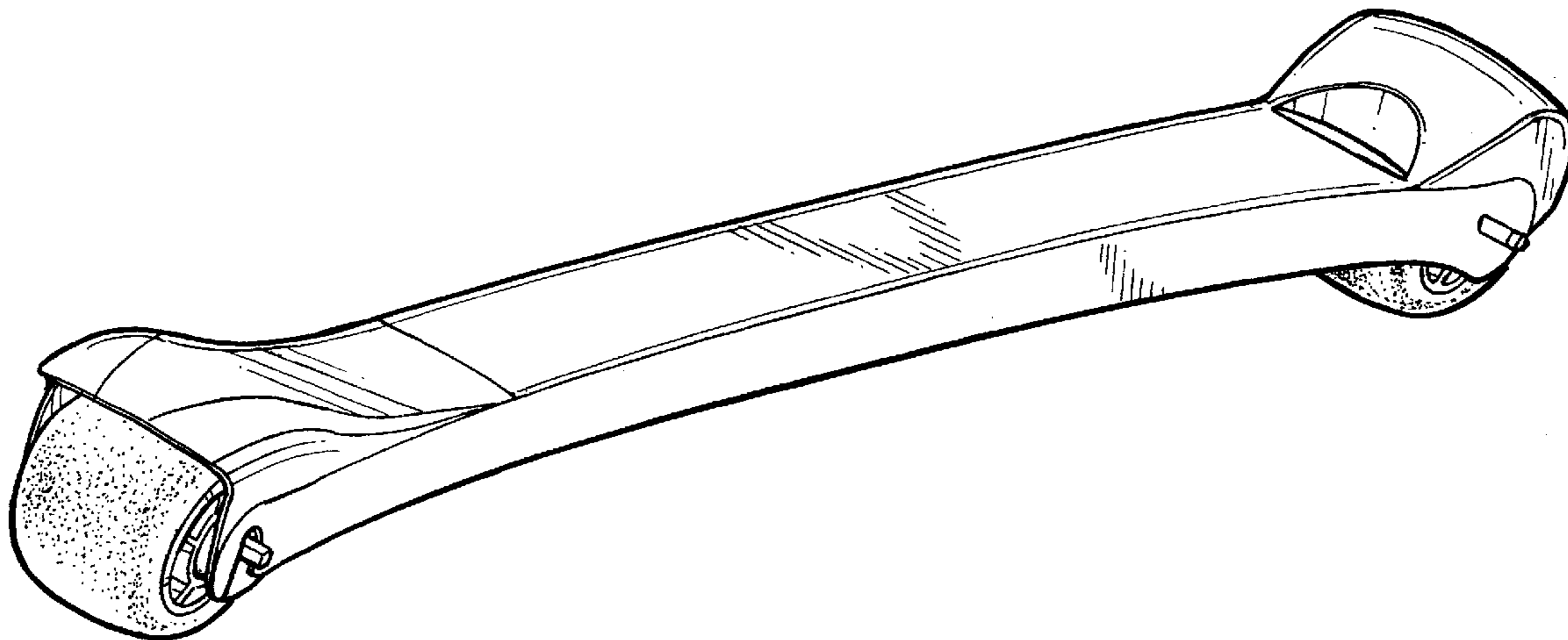
U.S. PATENT DOCUMENTS

D355,945 S * 2/1995 Homma D21/765
5,673,941 A * 10/1997 Osawa 280/87.042

FIG. 6 is a bottom perspective view thereof illustrating the side shown in FIG. 3; and,

FIG. 7 is a bottom, side perspective view thereof illustrating the side shown in FIG. 3.

1 Claim, 3 Drawing Sheets



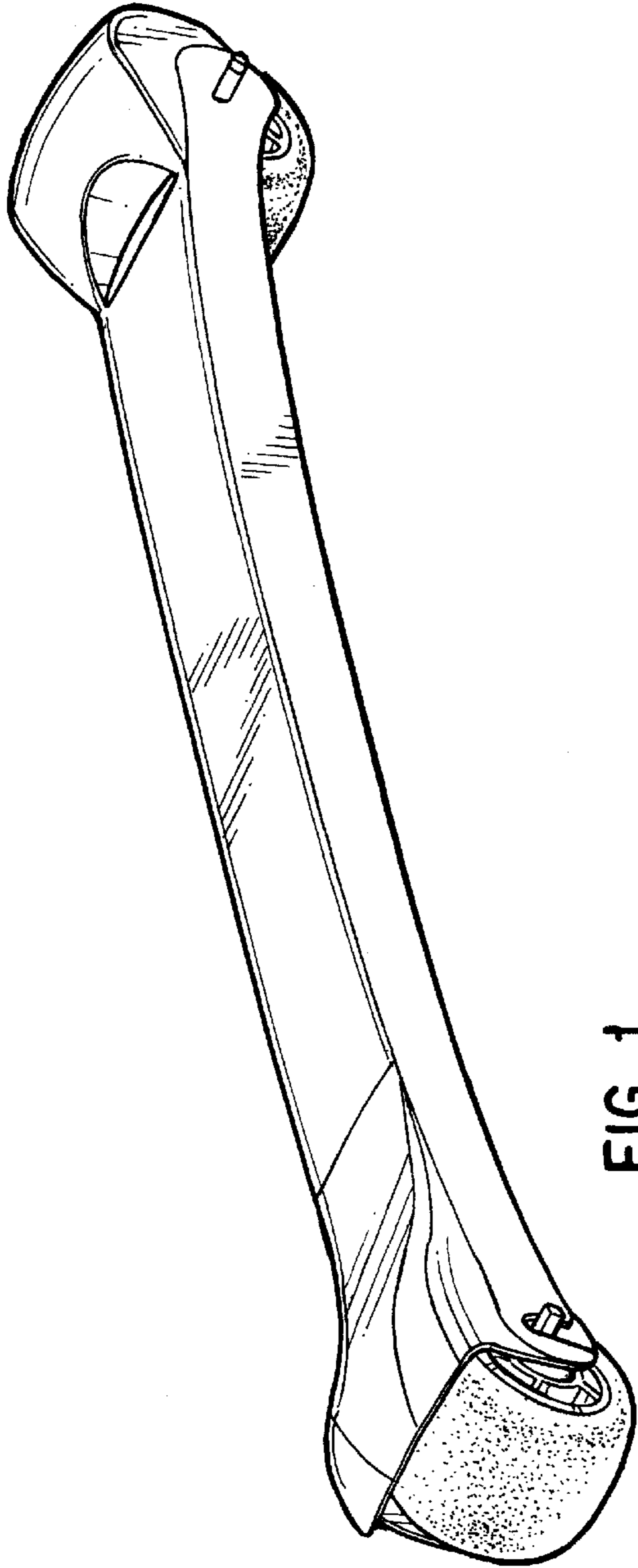


FIG. 1

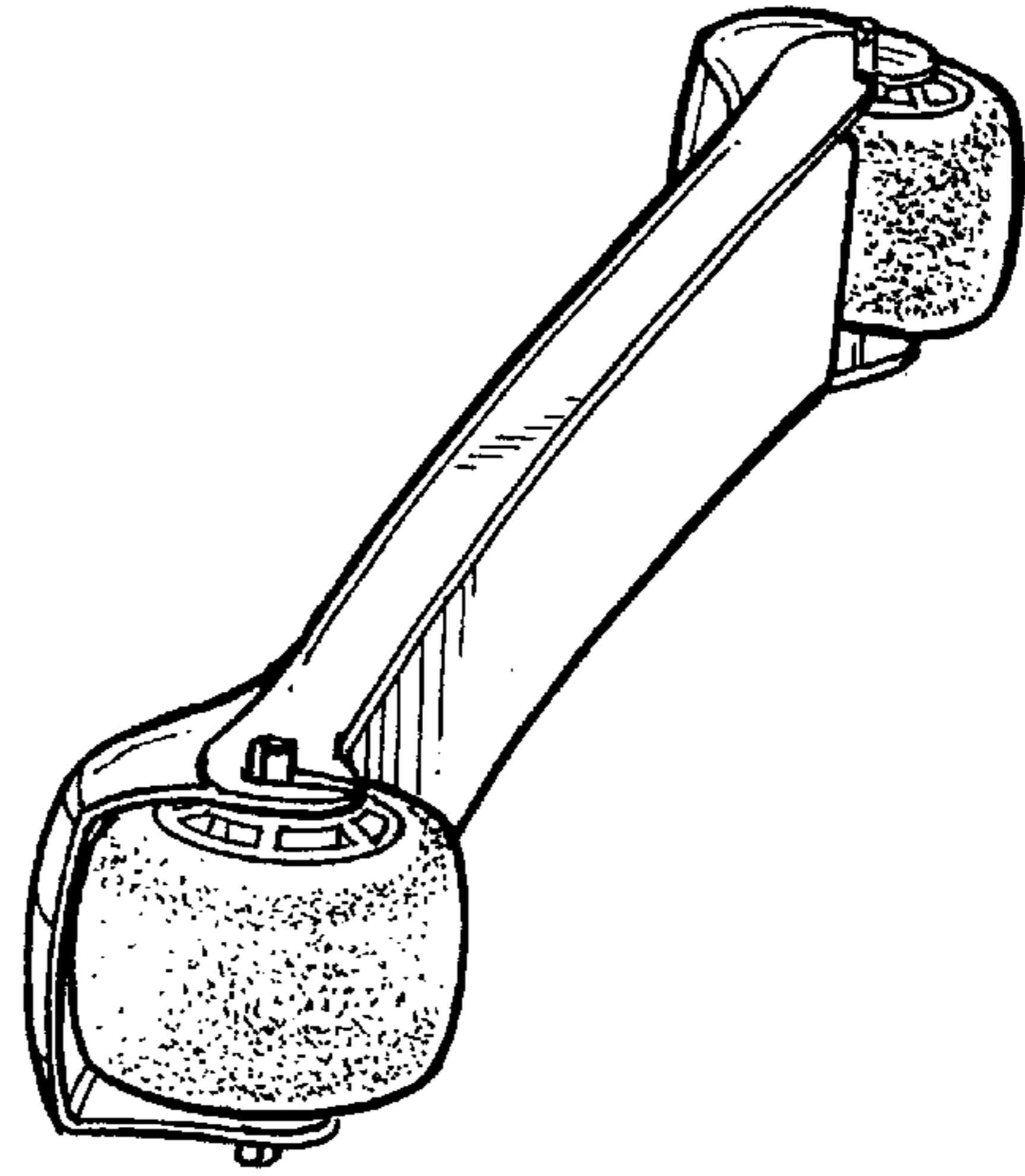


FIG. 3

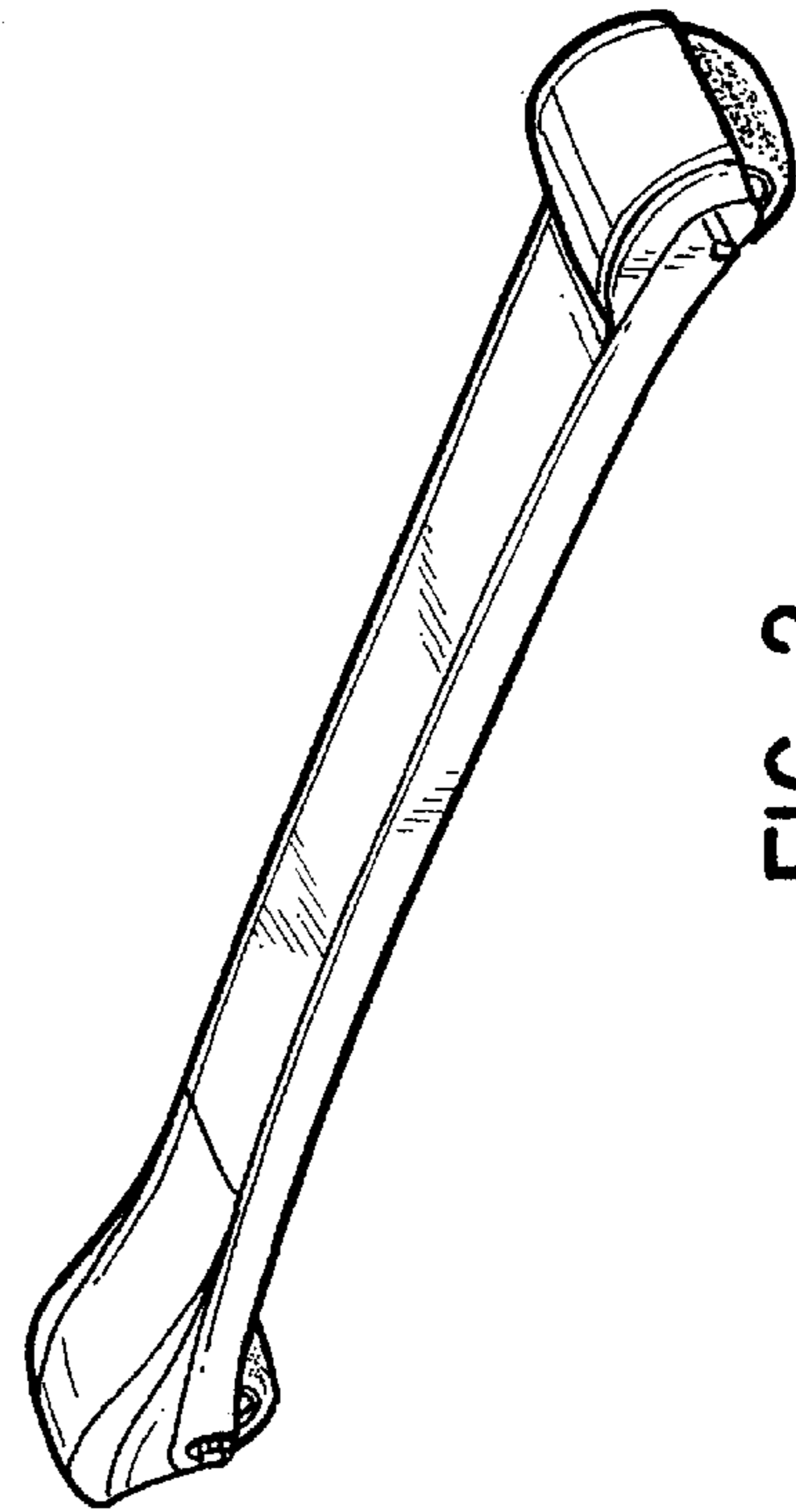


FIG. 2

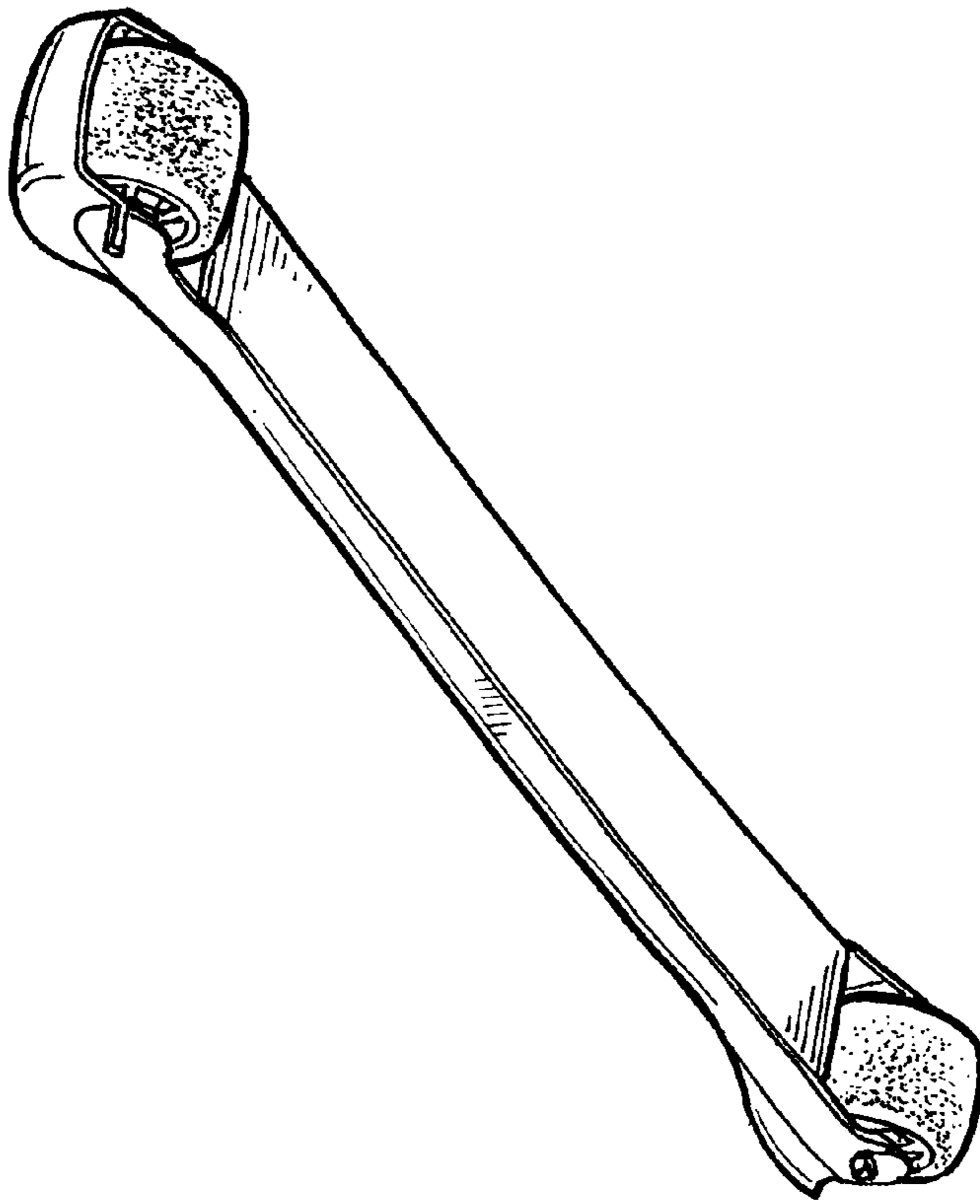


FIG. 4

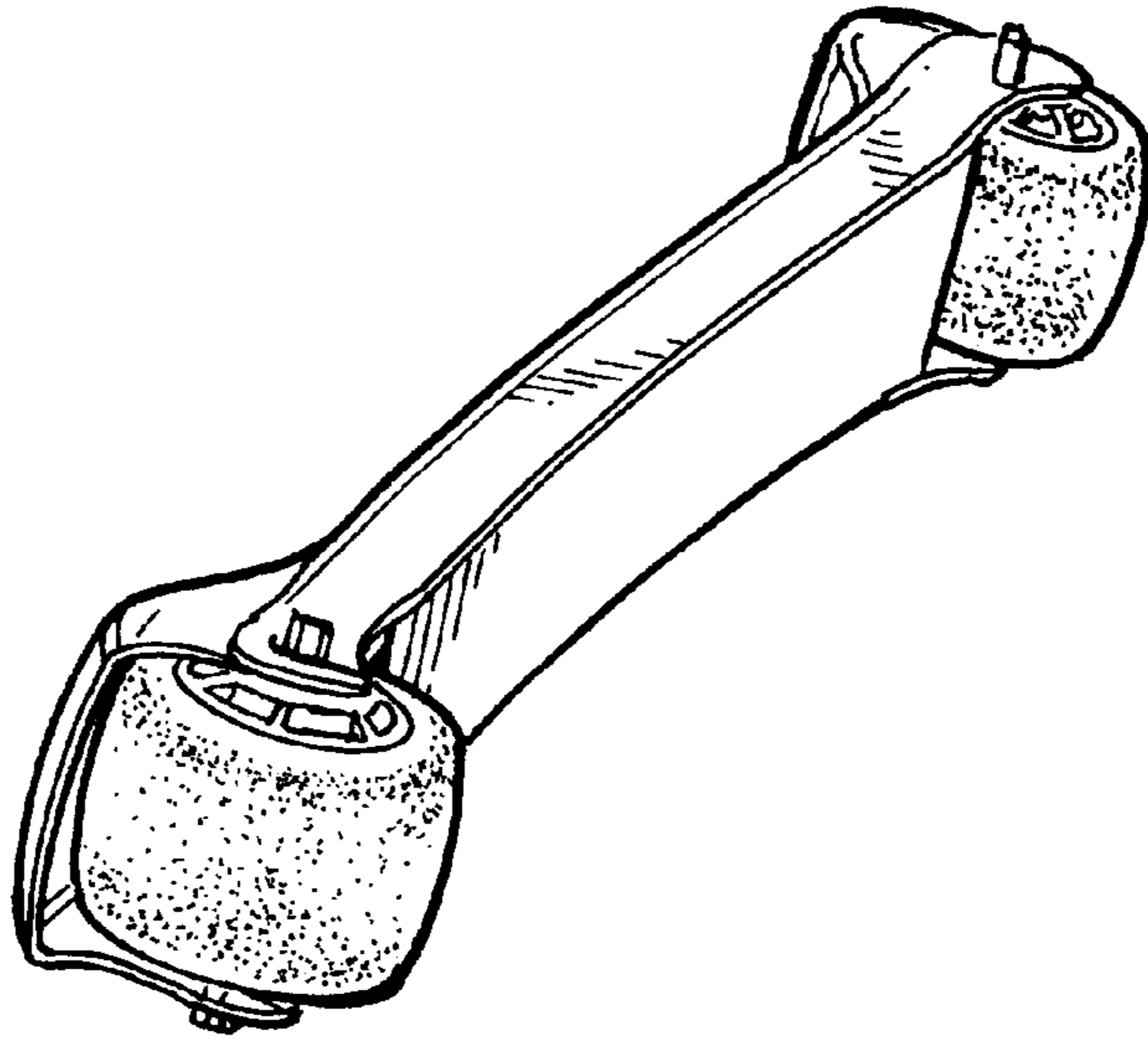


FIG. 5

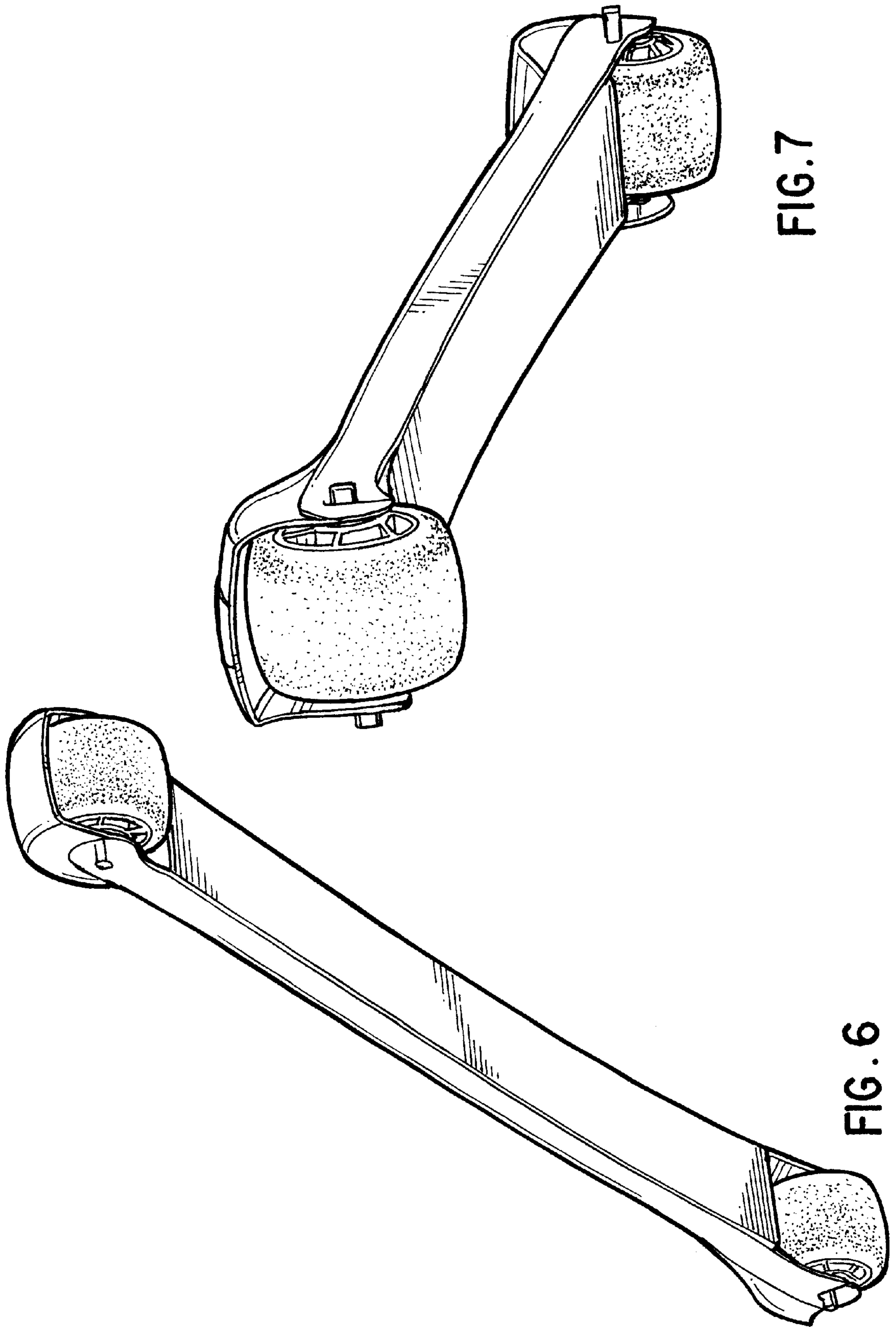


FIG. 7

FIG. 6