



US00D465002S

(12) **United States Design Patent**
Long

(10) **Patent No.:** **US D465,002 S**

(45) **Date of Patent:** **** Oct. 29, 2002**

(54) **GOLF PUTTER WITH A FACE INSERT**

(75) Inventor: **D. Clayton Long**, Carlsbad, CA (US)

(73) Assignee: **Plus 2 International, Inc.**, Carlsbad, CA (US)

(**) Term: **14 Years**

(21) Appl. No.: **29/157,936**

(22) Filed: **Mar. 26, 2002**

Related U.S. Application Data

(62) Division of application No. 29/145,562, filed on Jul. 25, 2001.

(51) **LOC (7) Cl.** **21-02**

(52) **U.S. Cl.** **D21/759**

(58) **Field of Search** D21/736-746,
D21/753, 759; 473/251-256, 340, 341,
329, 330

(56) **References Cited**

U.S. PATENT DOCUMENTS

5,489,097 A 2/1996 Simmons
D380,245 S * 6/1997 Meyer D27/743
D385,935 S * 11/1997 Cameron D21/759

5,690,562 A 11/1997 Sturm
5,944,619 A 8/1999 Cameron
D415,809 S * 10/1999 Bottema et al. D21/759
D425,088 S * 7/2000 Cameron D21/759
D428,086 S * 7/2000 Solheim D21/743
6,083,117 A 7/2000 Hsu
D435,275 S * 12/2000 Sizemore, Jr. D21/736
D438,273 S * 2/2001 Sizemore, Jr. D21/736
D439,295 S * 3/2001 Sizemore, Jr. D21/736
6,231,458 B1 5/2001 Cameron et al.
D444,835 S * 7/2001 Wahl et al. D21/759

* cited by examiner

Primary Examiner—Mitchell Siegel

(74) *Attorney, Agent, or Firm*—Dale Lischer; Eric J. Hason; Herbert M. Hanegan

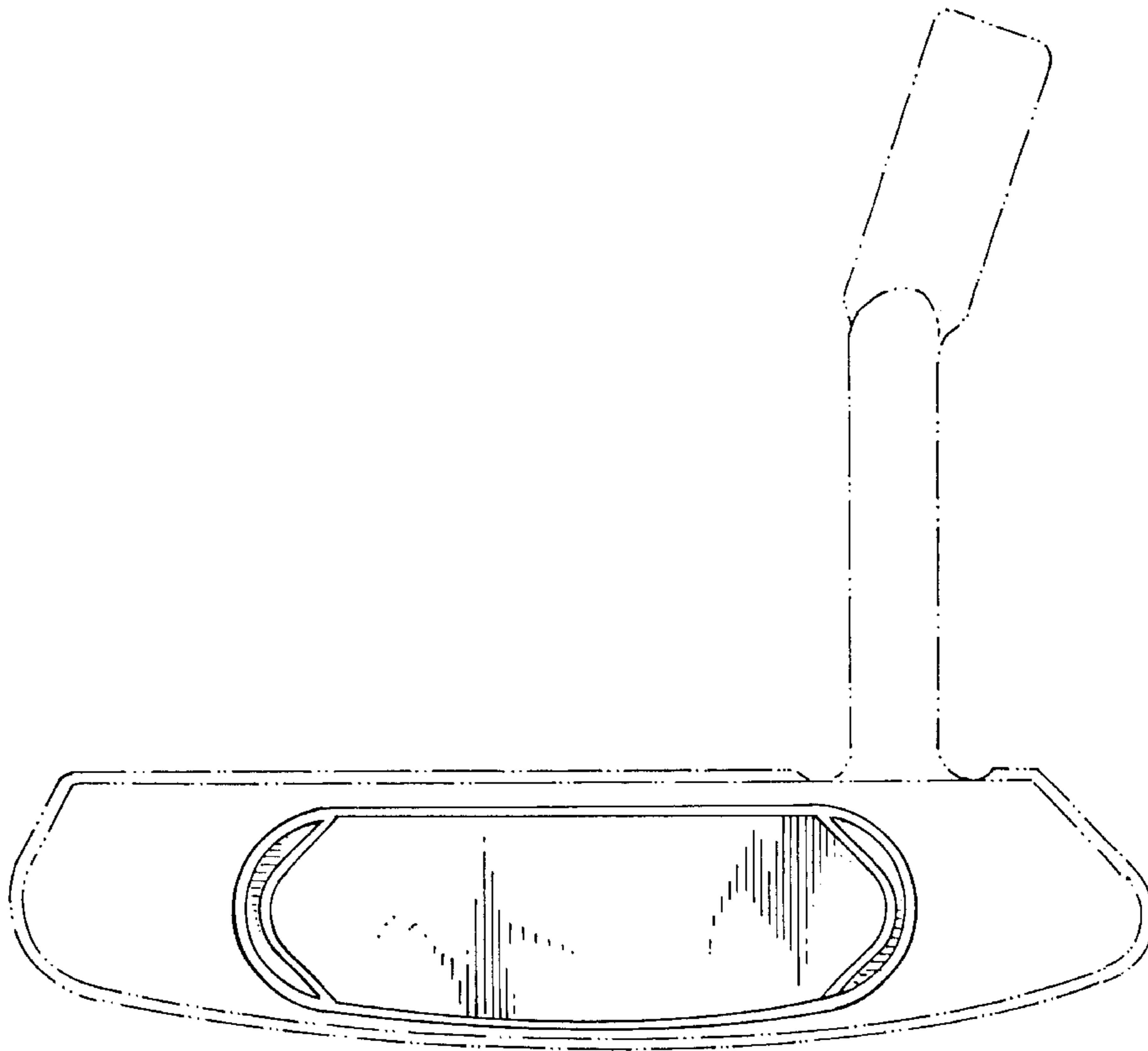
(57) **CLAIM**

The ornamental design for a golf putter with a face insert, as shown.

DESCRIPTION

FIG. 1 is a front elevation view of a golf putter, partially in phantom, in accordance with the present invention; and, FIG. 2 is a top plan view of a golf putter, partially in phantom, in accordance with the present invention.

1 Claim, 1 Drawing Sheet



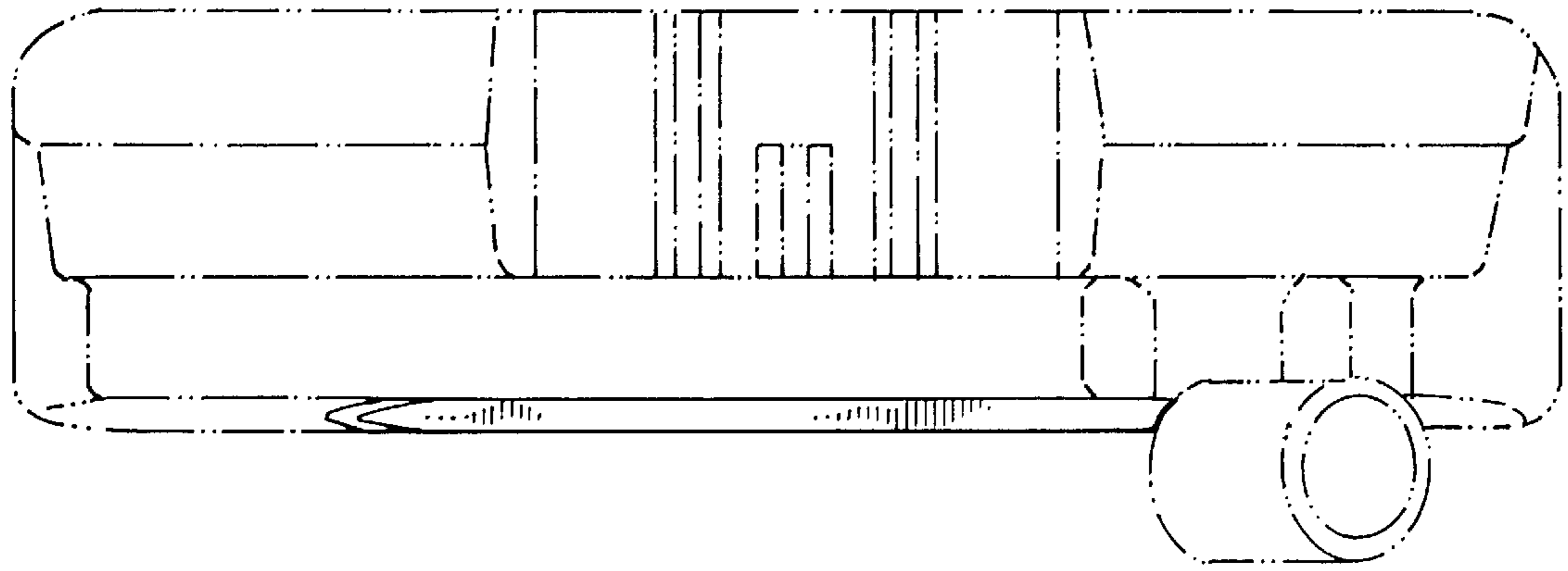


Fig. 2

Fig. 1

