



US00D465001S

(12) **United States Design Patent**
Chiang-Chow

(10) **Patent No.:** **US D465,001 S**

(45) **Date of Patent:** **** Oct. 29, 2002**

(54) **STEPPER**

(76) **Inventor:** **Lin Chiang-Chow**, P.O. Box 24-108,
Taipei (TW)

(**) **Term:** **14 Years**

(21) **Appl. No.:** **29/150,514**

(22) **Filed:** **Nov. 26, 2001**

(51) **LOC (7) Cl.** **21-02**

(52) **U.S. Cl.** **D21/670; D21/668**

(58) **Field of Search** D21/662, 663,
D21/668, 669, 670; 482/51, 52, 53, 54,
79, 80

(56) **References Cited**

U.S. PATENT DOCUMENTS

D281,343 S	*	11/1985	Krive	482/147
5,199,934 A	*	4/1993	Lin	482/120
5,230,674 A	*	7/1993	Terauds	482/148
5,263,910 A	*	11/1993	Yang	482/52
5,304,105 A	*	4/1994	Hsieh	482/111

D348,708 S	*	7/1994	Chen	D21/670
D349,542 S	*	8/1994	Russell	D21/670
5,348,520 A	*	9/1994	Chang	482/123
D456,052 S	*	4/2002	Steves	D21/668

* cited by examiner

Primary Examiner—Philip S. Hyder

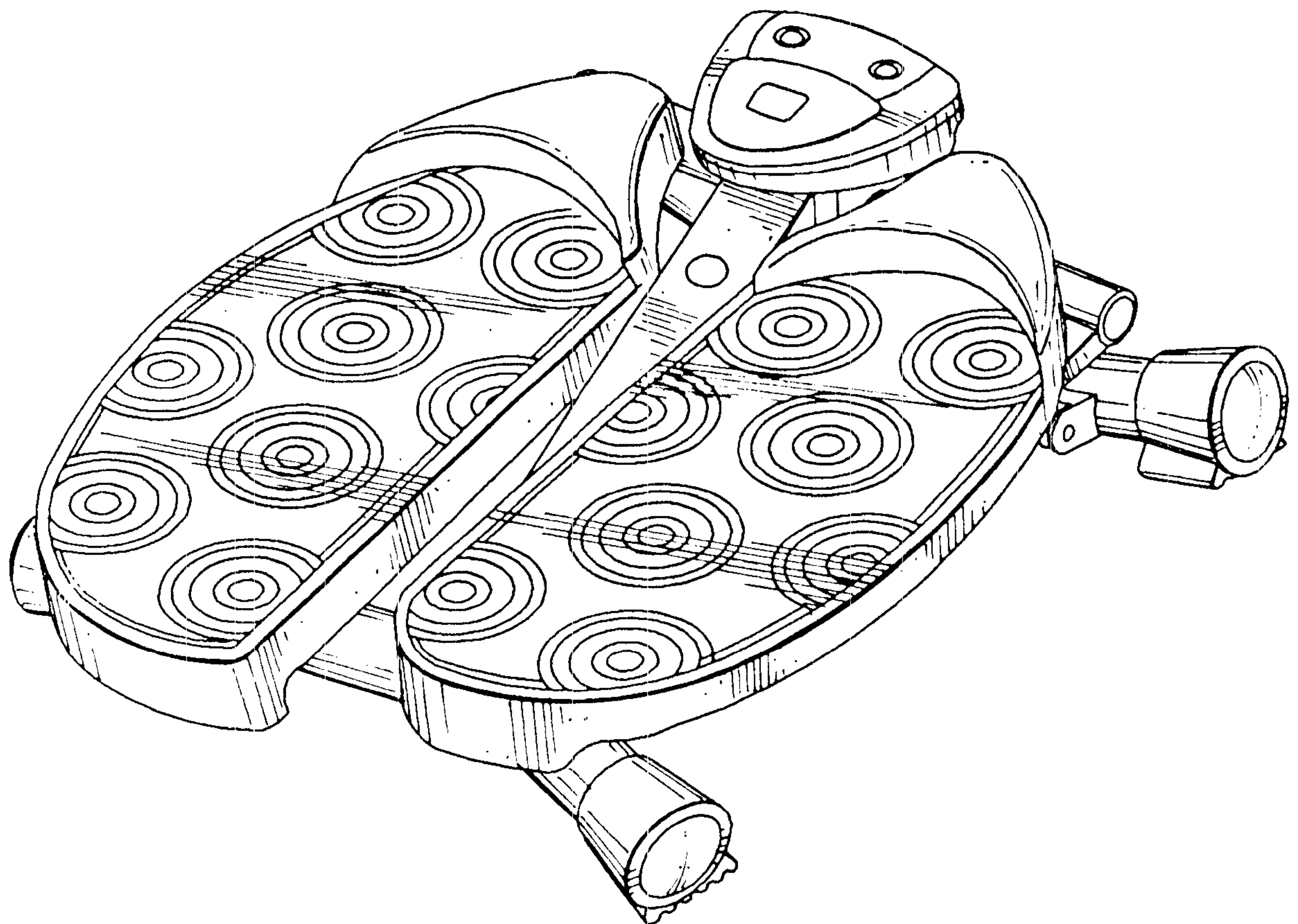
(57) **CLAIM**

The ornamental design for a stepper, as shown and described.

DESCRIPTION

FIG. 1 is a perspective view of a stepper showing my new design;
 FIG. 2 is a front elevational view thereof;
 FIG. 3 is a rear elevational view thereof;
 FIG. 4 is a left side elevational view thereof;
 FIG. 5 is a right side elevational view thereof;
 FIG. 6 is a top plan view thereof; and,
 FIG. 7 is a bottom plan view thereof.

1 Claim, 4 Drawing Sheets



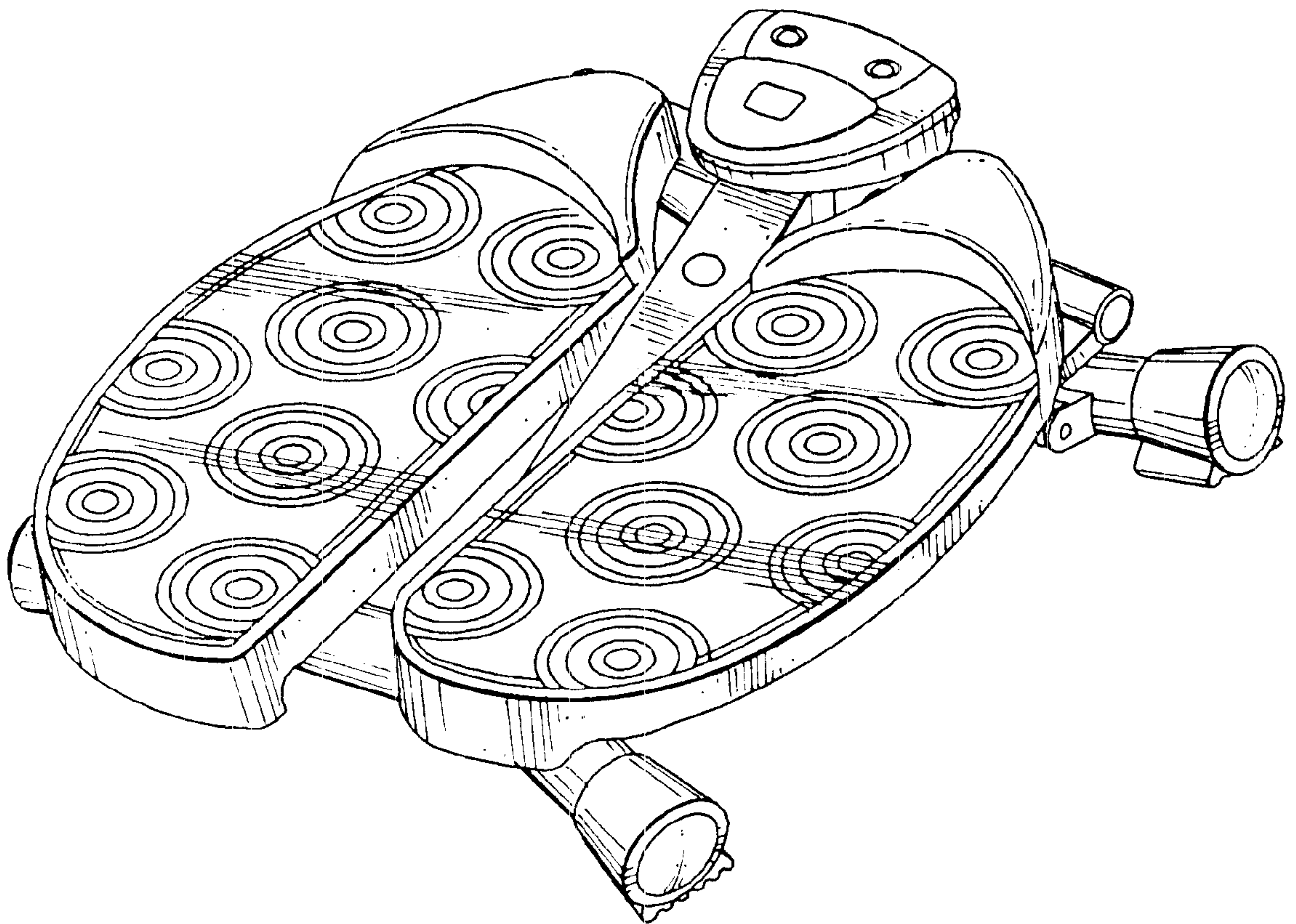


FIG. 1

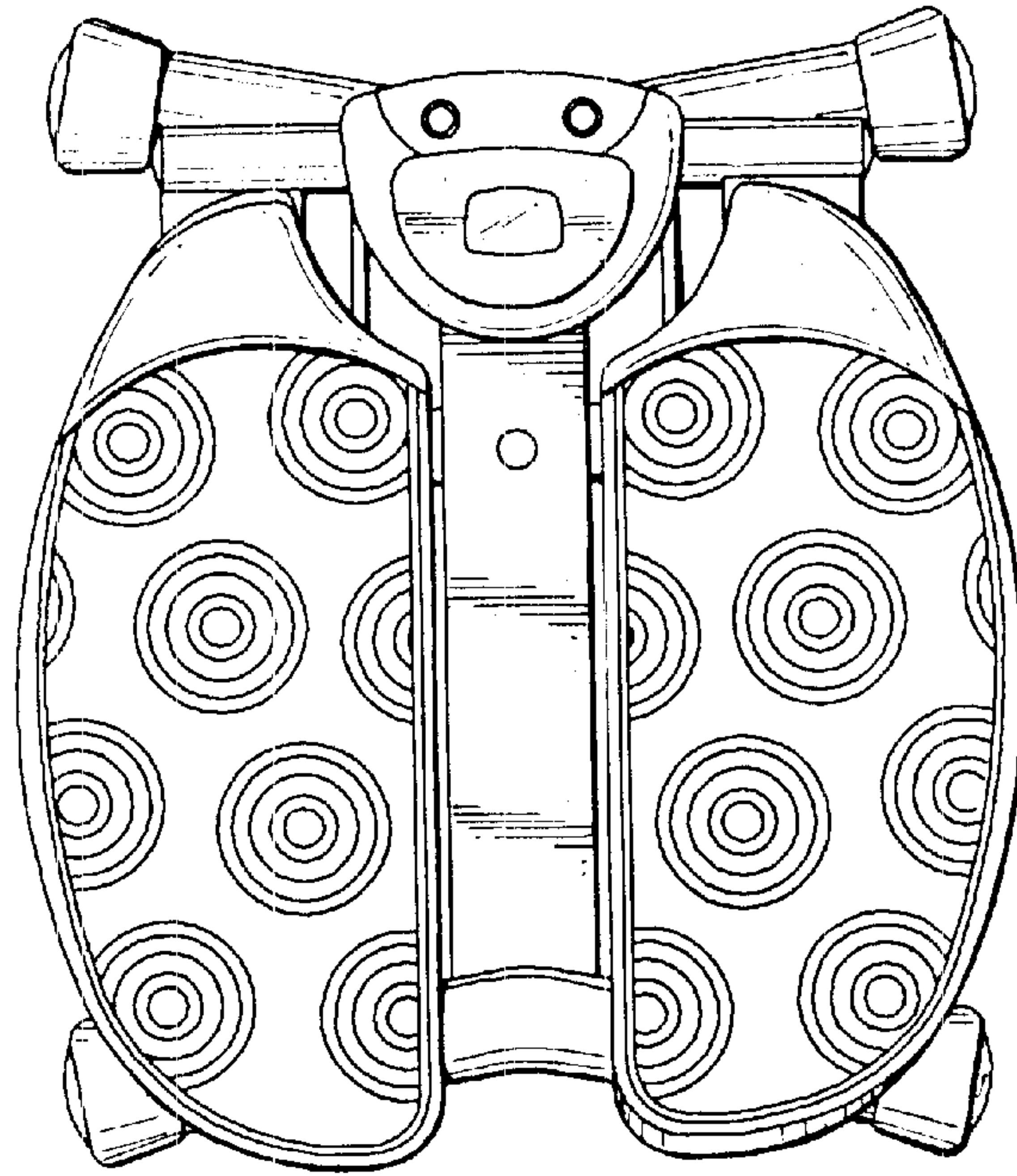


FIG. 2

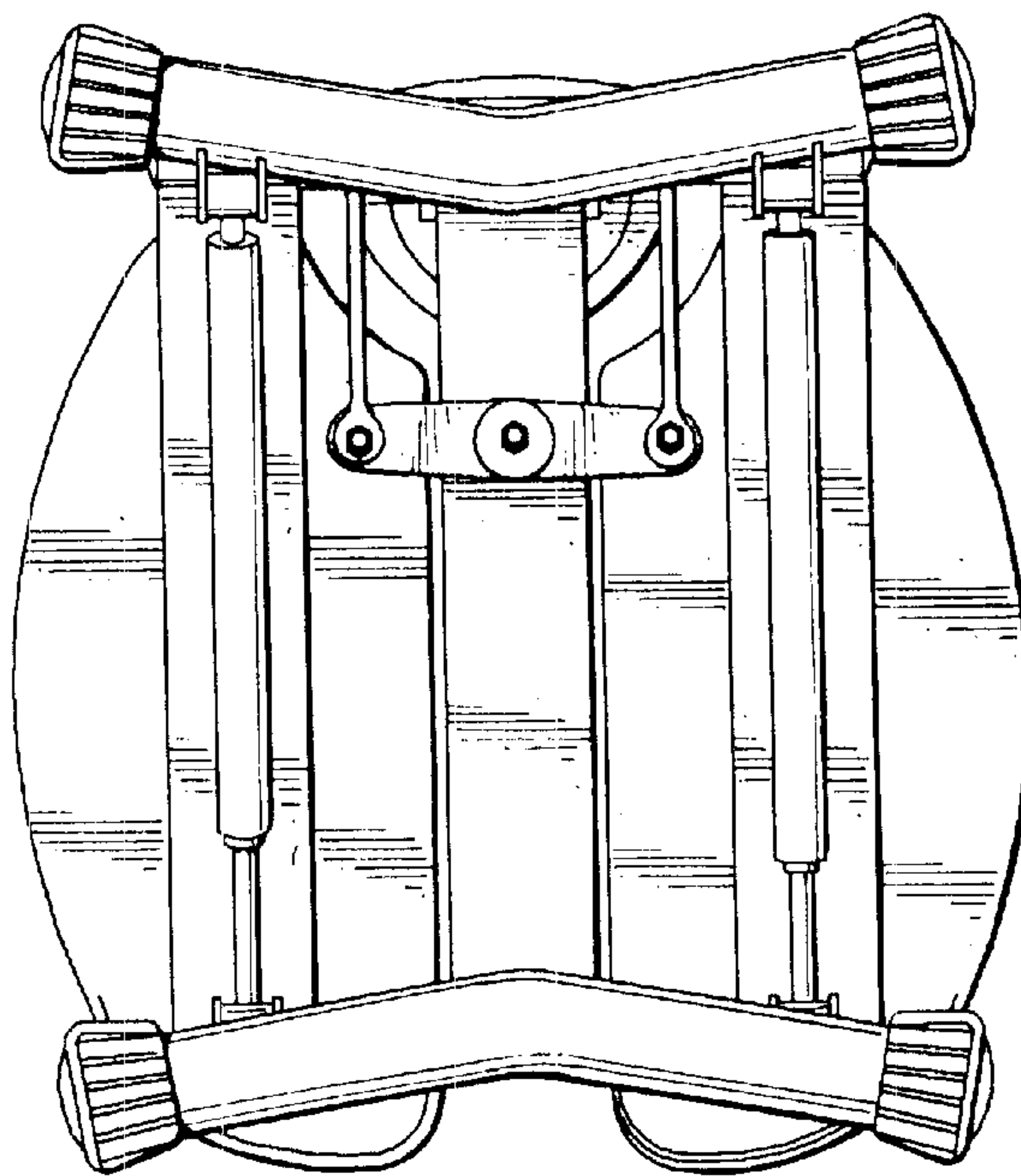


FIG. 3

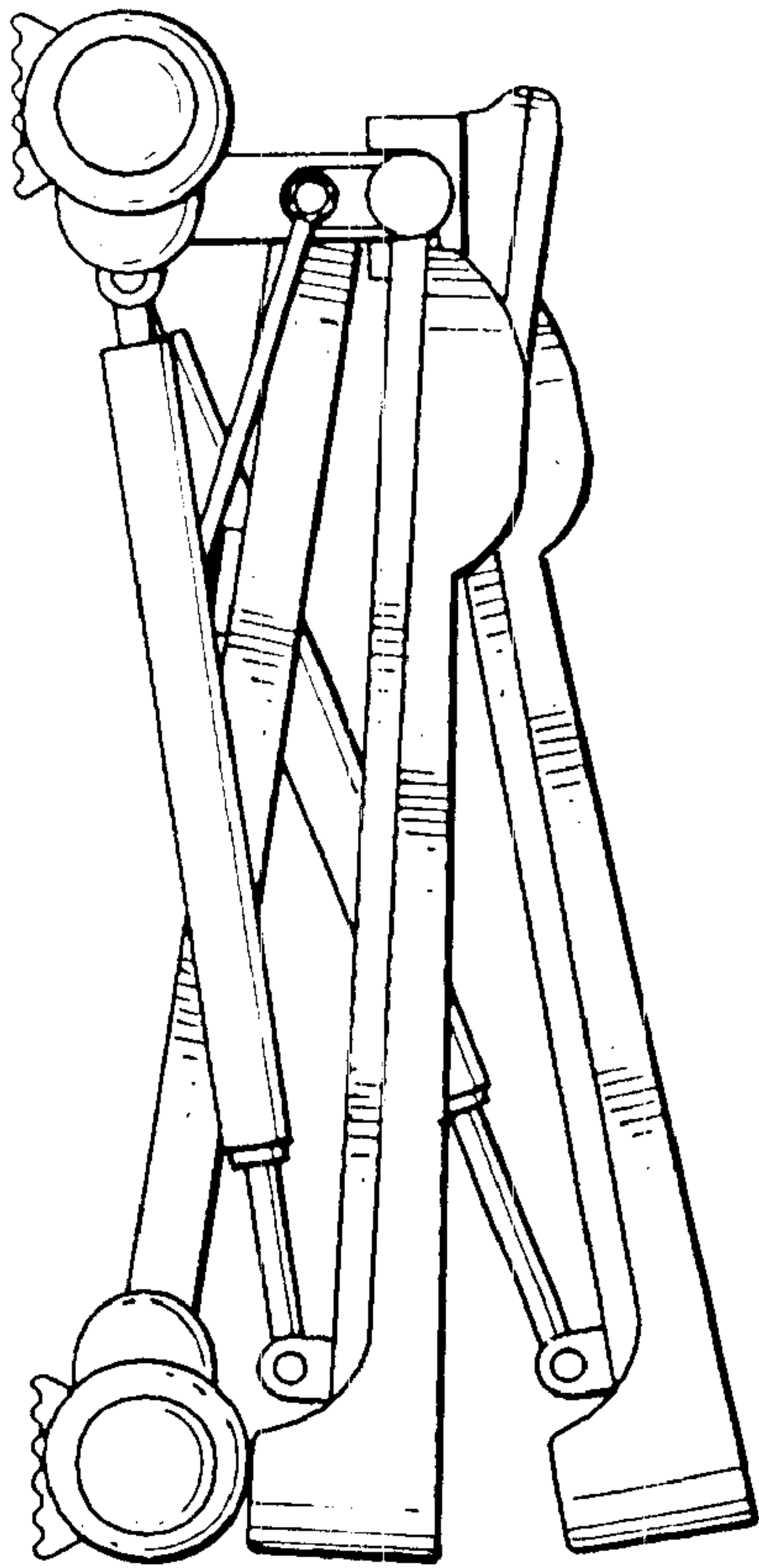


FIG. 4

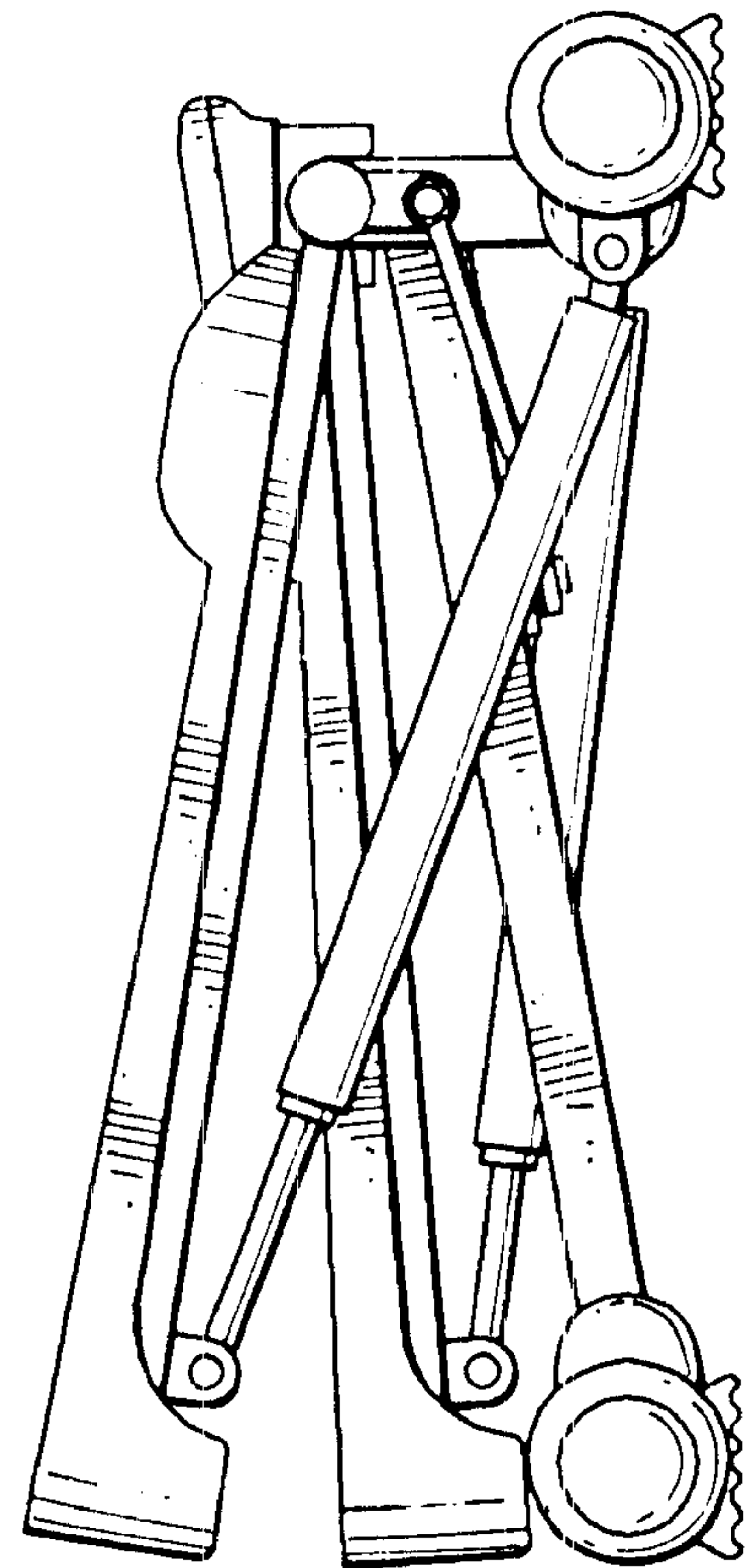


FIG. 5

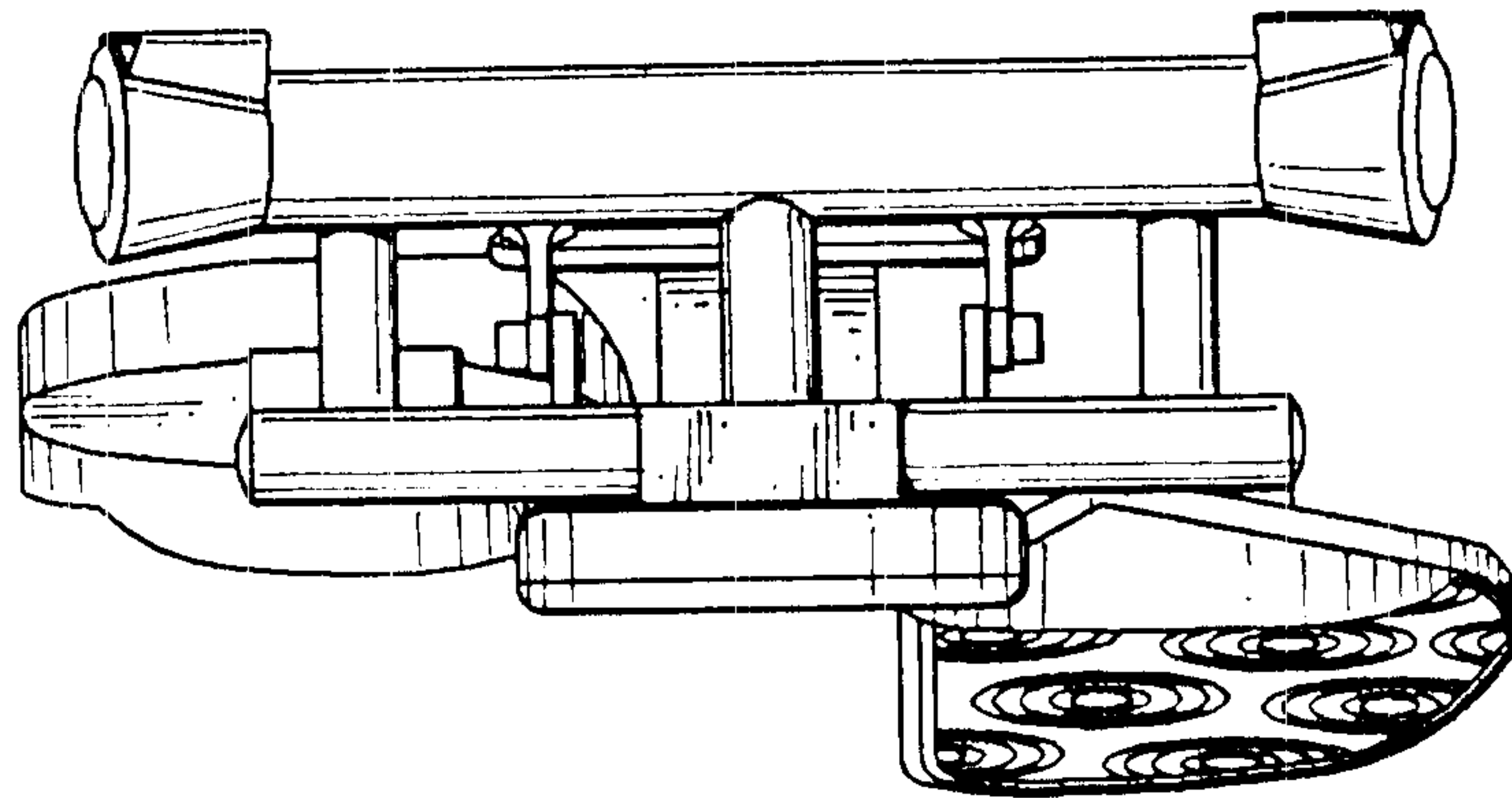


FIG. 6

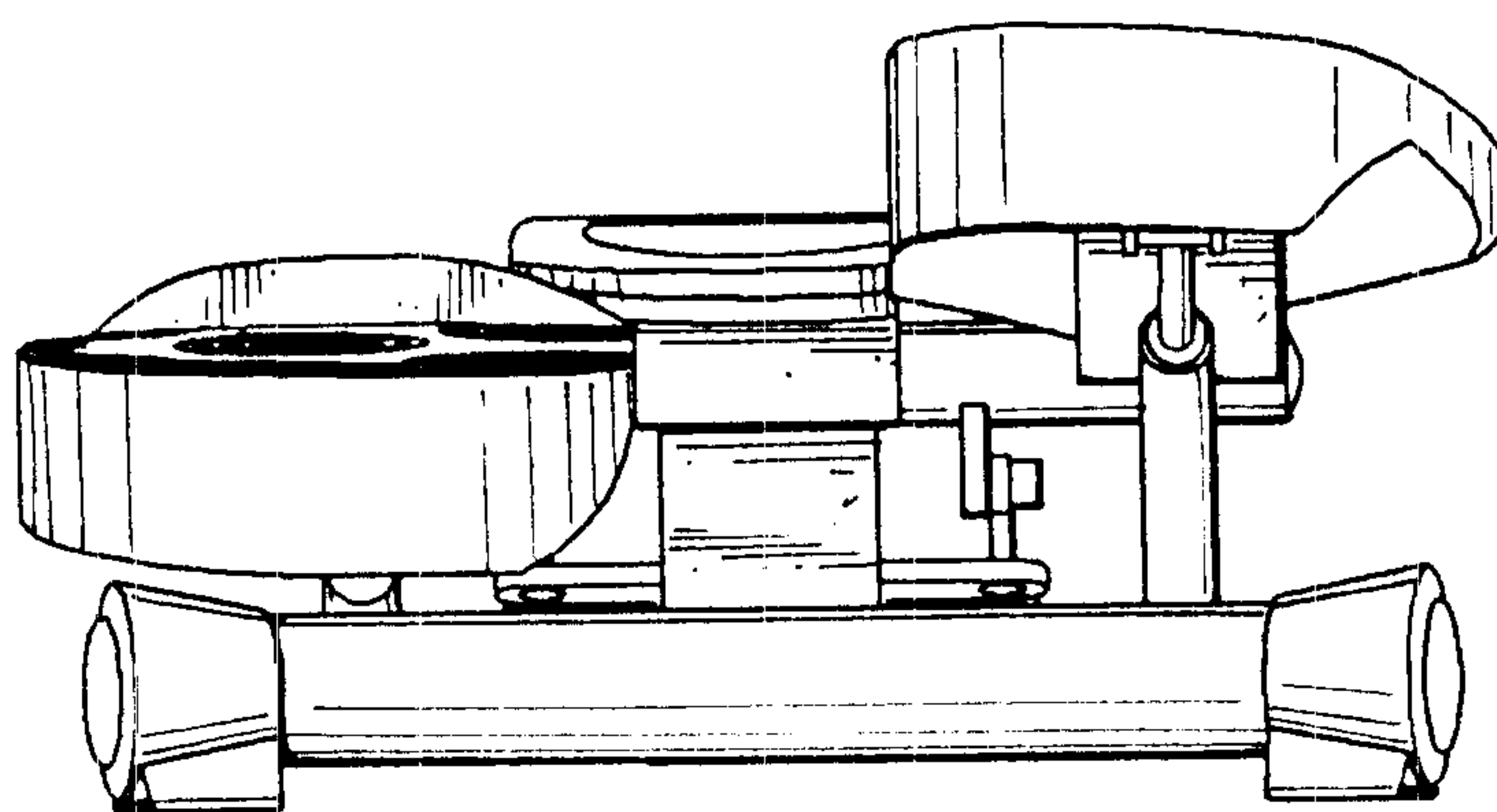


FIG. 7